

SECTION 5 EXPLODED VIEWS

NOTE:

- -XX, -X mean standardized parts, so they may have some differences from the original one.
 - Color Indication of Appearance Parts
Example:
KNOB, BALANCE (WHITE)...(RED)
- ↑ ↑

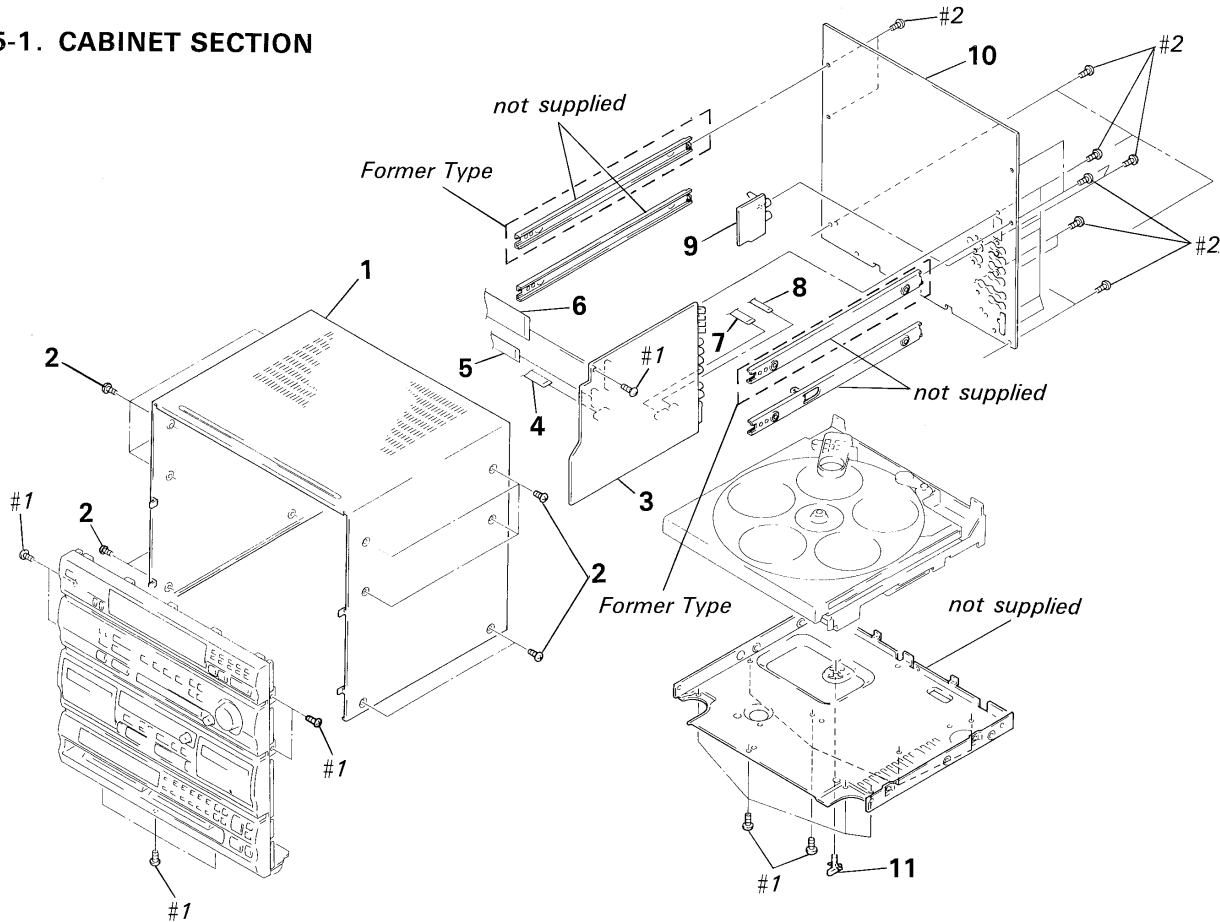
Parts color Cabinet's color

- Items marked "*" are not stocked since they are seldom required for routine service. Some delay should be anticipated when ordering these items.
- The mechanical parts with no reference number in the exploded views are not supplied.
- Hardware (#mark) list and accessories and packing materials are given in the last of this parts list.
- Abbreviation
MX : Mexican

The components identified by mark \triangle or dotted line with mark \triangle are critical for safety. Replace only with part number specified.

Les composants identifiés par une marque \triangle sont critiques pour la sécurité. Ne les remplacer que par une pièce portant le numéro spécifié.

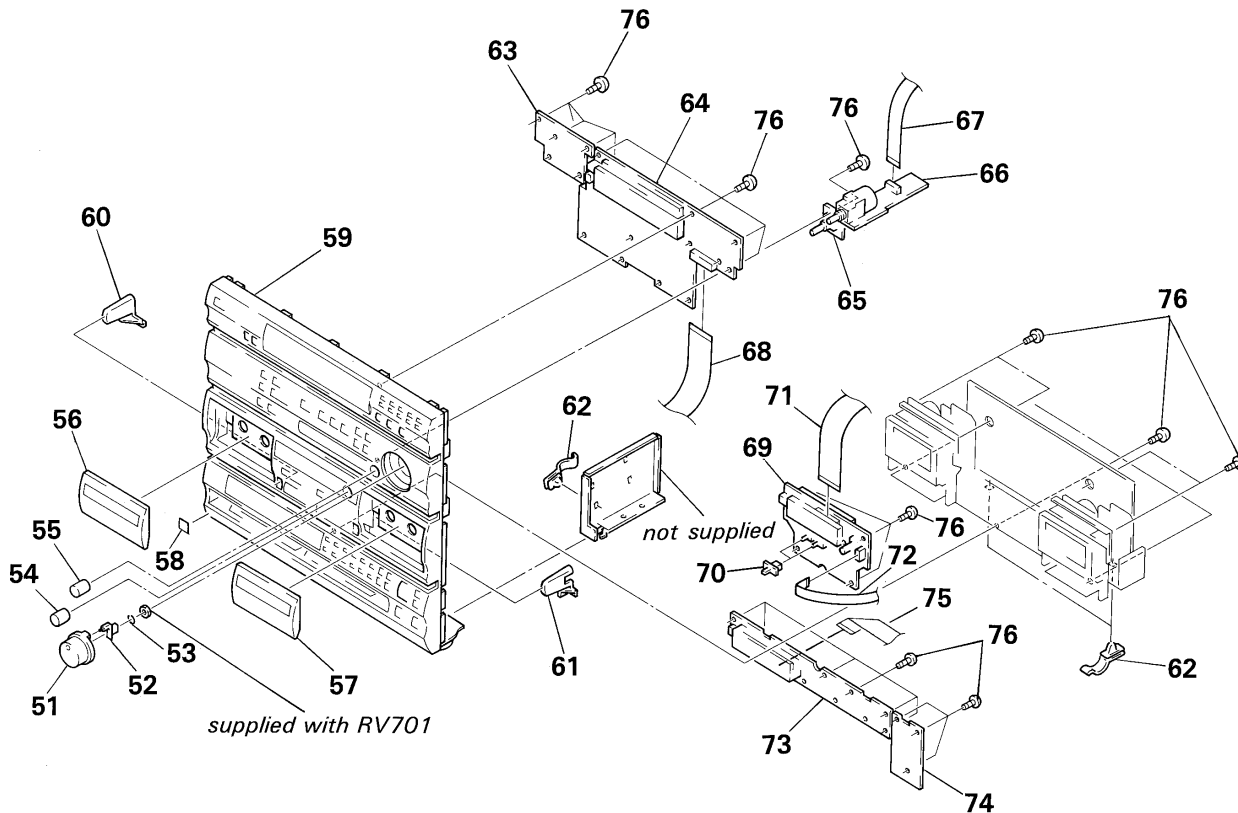
5-1. CABINET SECTION



Ref. No.	Part No.	Description	Remark
* 1	4-963-265-71	CASE	
2	3-363-099-01	SCREW (CASE 3 TP2)	
* 3	A-4371-420-A	MAIN BOARD, COMPLETE (US, Canadian, MX)	
* 3	A-4371-422-A	MAIN BOARD, COMPLETE (E)	
* 3	A-4371-603-A	MAIN BOARD, COMPLETE (AEP)	
4	1-575-906-11	WIRE, FLAT TYPE (15 CORE)	
5	1-696-930-11	WIRE (FLAT TYPE) (17 CORE)	
6	1-765-165-11	WIRE (FLAT TYPE) (35 CORE)	
7	1-765-162-11	CORD, CONNECTION (15 CORE)	

Ref. No.	Part No.	Description	Remark
8	1-575-662-11	WIRE, FLAT TYPE (5 CORE)	
* 9	1-650-639-11	VIDEO BOARD	
* 10	4-967-129-11	PANEL, BACK (US)	
* 10	4-967-129-21	PANEL, BACK (E)	
* 10	4-967-129-31	PANEL, BACK (Canadian)	
* 10	4-967-129-51	PANEL, BACK (MX)	
* 10	4-967-129-61	PANEL, BACK (AEP)	
11	4-937-945-01	PLATE (TRANSPORT), LOCK	

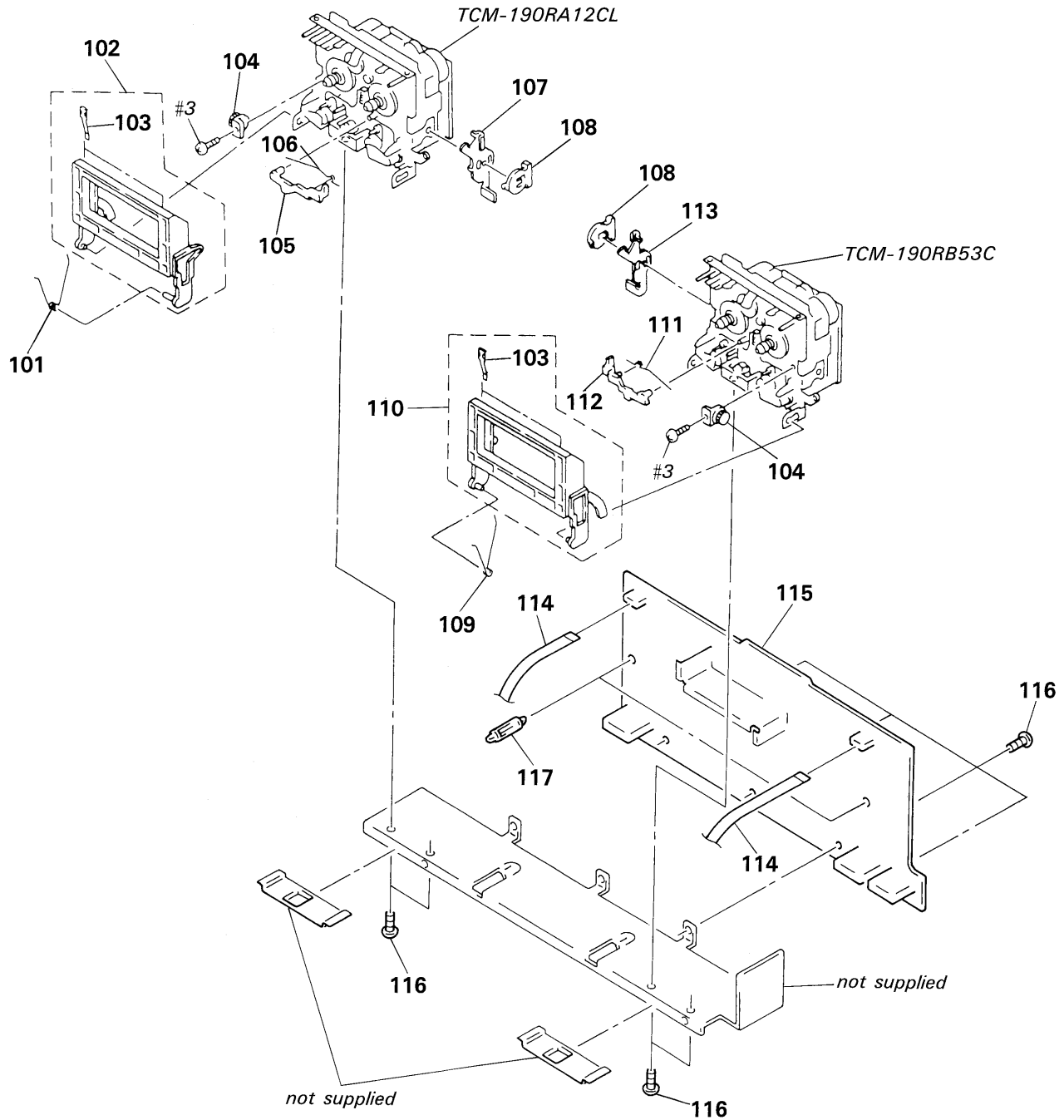
5-2. FRONT PANEL SECTION



Ref. No.	Part No.	Description	Remark
51	4-949-659-01	KNOB (VOL-NEW)	
52	4-958-991-01	PLATE (VOL), LIGHT GUIDE	
53	3-350-426-01	SPRING, RING	
54	4-930-784-21	KNOB (SD) (WITH RED POINT)	
55	4-930-784-11	KNOB (SD)	
56	A-4361-019-A	LID (A) ASSY, CASSETTE	
57	A-4361-020-A	LID (B) ASSY, CASSETTE	
58	3-703-710-41	STICKER, SONY SYMBOL (12)	
59	A-4361-017-A	PANEL ASSY, FRONT (US, Canadian)	
59	A-4361-018-A	PANEL ASSY, FRONT (AEP, E, MX)	
60	4-963-255-11	BUTTON (EJECT-1)	
61	4-963-256-11	BUTTON (EJECT-2)	
* 62	3-646-076-00	CLIP (7R), CABLE	
* 63	1-650-697-11	TUNER KEY BOARD	
* 64	A-4371-411-A	DISPLAY BOARD, COMPLETE (US, Canadian)	

Ref. No.	Part No.	Description	Remark
* 64	A-4371-423-A	DISPLAY BOARD, COMPLETE (MX)	
* 64	A-4371-421-A	DISPLAY BOARD, COMPLETE (AEP, E)	
* 65	1-650-699-11	BALANCE BOARD	
* 66	1-650-698-11	VOLUME BOARD	
67	1-575-906-11	WIRE, FLAT TYPE (15 CORE)	
68	1-765-165-11	WIRE (FLAT TYPE) (35 CORE)	
* 69	A-4371-418-A	TC SW BOARD, COMPLETE	
70	4-963-544-11	KNOB (SLIDE)	
71	1-696-456-11	WIRE (FLAT TYPE) (31 CORE)	
72	1-696-981-11	WIRE (FLAT TYPE) (5 CORE)	
* 73	A-4371-413-A	CD DISP BOARD, COMPLETE	
* 74	1-650-701-11	CD KEY BOARD	
75	1-765-243-11	WIRE (FLAT TYPE) (35 CORE)	
76	4-951-620-01	SCREW (2. 6X8), +BVTP	

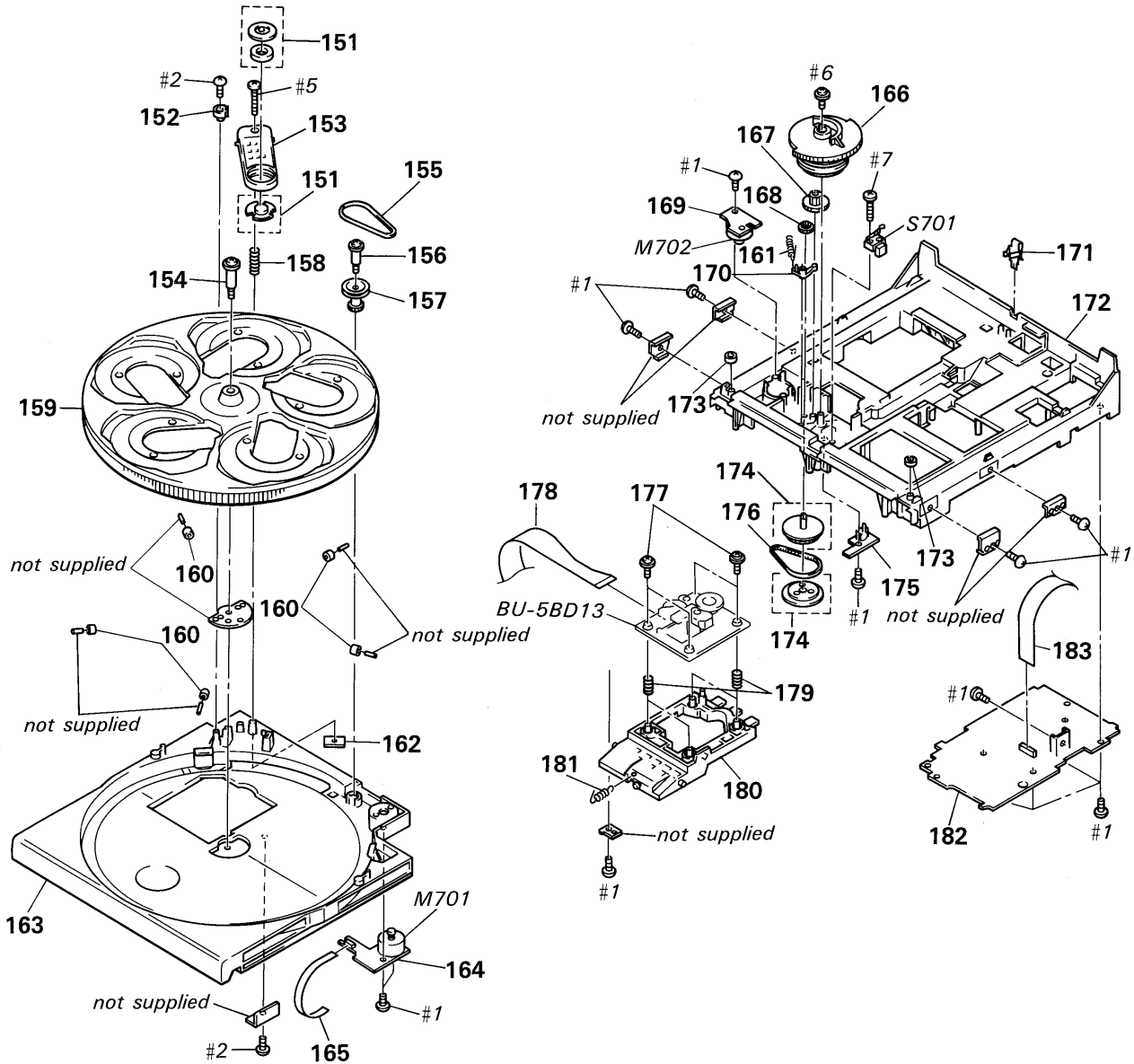
5-3. TC BLOCK SECTION



Ref. No.	Part No.	Description	Remark
101	3-354-960-01	SPRING (LOADING R), TORSION	
102	A-4325-164-A	HOLDER (R) ASSY, CASSETTE	
103	3-308-823-11	DETENT, CASSETTE	
104	3-354-963-01	DAMPER	
105	3-354-956-01	LEVER (EJ SAFTY LEVER R)	
106	3-354-962-01	SPRING (EJ SAFTY SPRING R)	
* 107	3-354-954-01	LEVER (LOCK LEVER R)	
108	3-354-957-01	JOINT (LOCK LEVER)	
109	3-354-959-01	SPRING (LOADING L), TORSION	

Ref. No.	Part No.	Description	Remark
110	A-4325-163-A	HOLDER (L) ASSY, CASSETTE	
111	3-354-961-01	SPRING (EJ SAFTY SPRING L)	
112	3-354-955-01	LEVER (EJ SAFTY LEVER L)	
* 113	3-354-953-01	LEVER (LOCK LEVER L)	
* 114	1-590-769-11	WIRE, FLAT TYPE (7 CORE)	
* 115	A-4371-417-A	TC MAIN BOARD, COMPLETE	
116	4-951-620-01	SCREW (2.6X8), +BVTP	
* 117	4-965-065-01	HOLDER, PCB	

5-4. TRAY SECTION

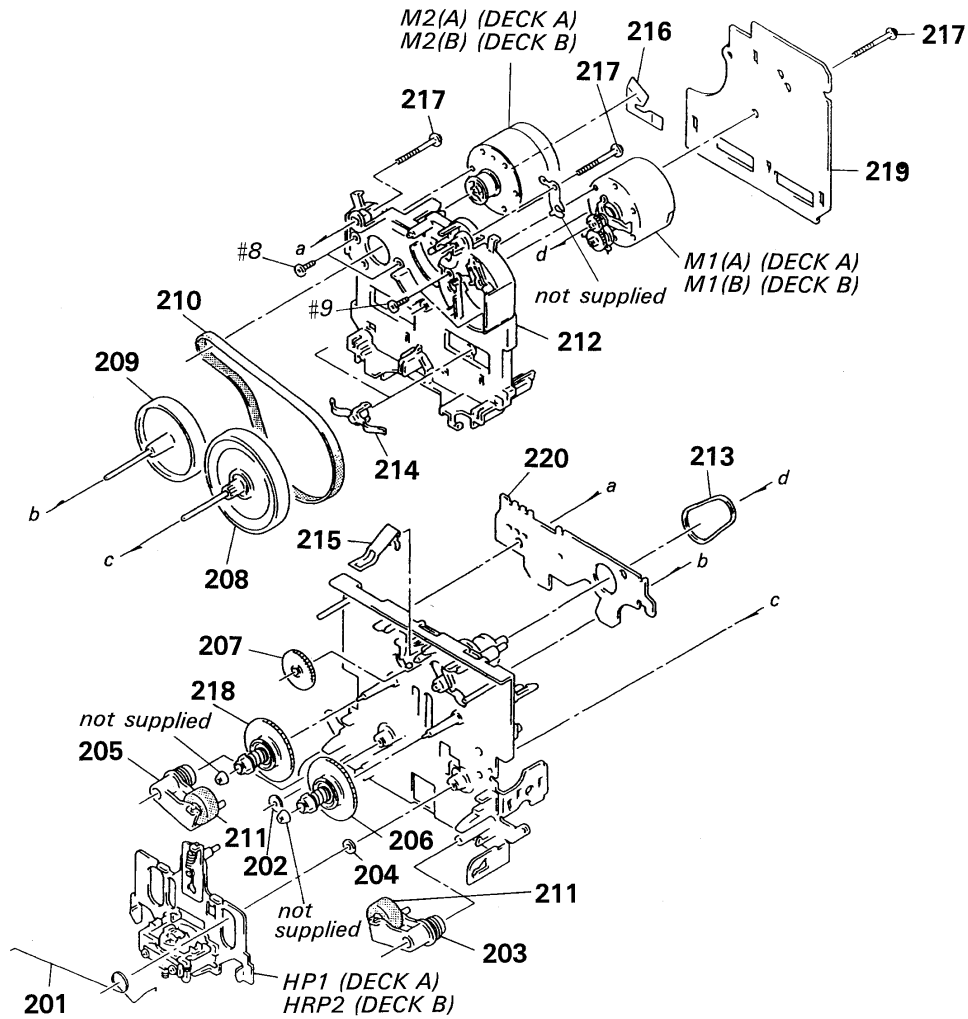


Ref. No.	Part No.	Description	Remark
* 151	1-452-538-11	MAGNET	
* 152	4-949-226-01	PLATE, LOCK	
* 153	4-930-506-02	BRACKET (PRESS PULLEY)	
154	4-926-384-01	SCREW, STEP	
155	4-926-399-01	BELT	
156	4-923-597-01	SCREW, STEP	
157	4-934-380-11	PULLEY (R)	
158	4-926-395-01	SPRING, COMPRESSION	
* 159	4-926-383-01	TABLE (B), DISC	
160	X-4924-457-1	ROLLER ASSY	
161	4-924-412-01	SPRING (B), TENSION	
* 162	4-926-388-01	BRACKET (ADJUSTMENT)	
163	4-966-371-01	TABLE (A), DISC	
* 164	1-639-287-21	TABLE MOTOR BOARD	
165	1-590-849-11	WIRE, FLAT TYPE (5 CORE)	
166	4-934-391-01	GEAR (LOADING A)	
167	4-934-381-01	GEAR (LOADING C)	
168	4-934-375-01	GEAR (LOADING B)	

Ref. No.	Part No.	Description	Remark
* 169	1-639-288-21	LOADING MOTOR BOARD	
170	4-917-519-11	LEVER, SET	
* 171	4-943-996-06	SPRING, LEAF	
* 172	4-943-997-31	CHASSIS	
* 173	4-951-619-01	CUSHION (A)	
174	X-4941-529-1	PULLEY ASSY	
* 175	1-639-289-21	OPNE/UP SW BOARD	
176	4-944-490-01	BELT (TIMING)	
177	4-933-134-01	SCREW (+PTPWH M2. 6X6)	
178	1-537-645-11	JUMPER, FILM (WITH TERMINAL)	
179	4-958-593-01	SPRING (BU), COMPRESSION	
* 180	4-934-373-01	BRACKET (BU)	
181	4-937-911-01	SPRING, TENSION	
* 182	A-4371-481-A	CD MAIN BOARD, COMPLETE	
183	1-765-162-11	CORD, CONNECTION (15 CORE)	
M701	A-4353-976-A	MOTOR ASSY, ROTARY	
M702	A-4353-974-A	MOTOR ASSY, LOADING	
S701	1-572-713-11	SWITCH, PUSH (WITH CONNECTOR)	

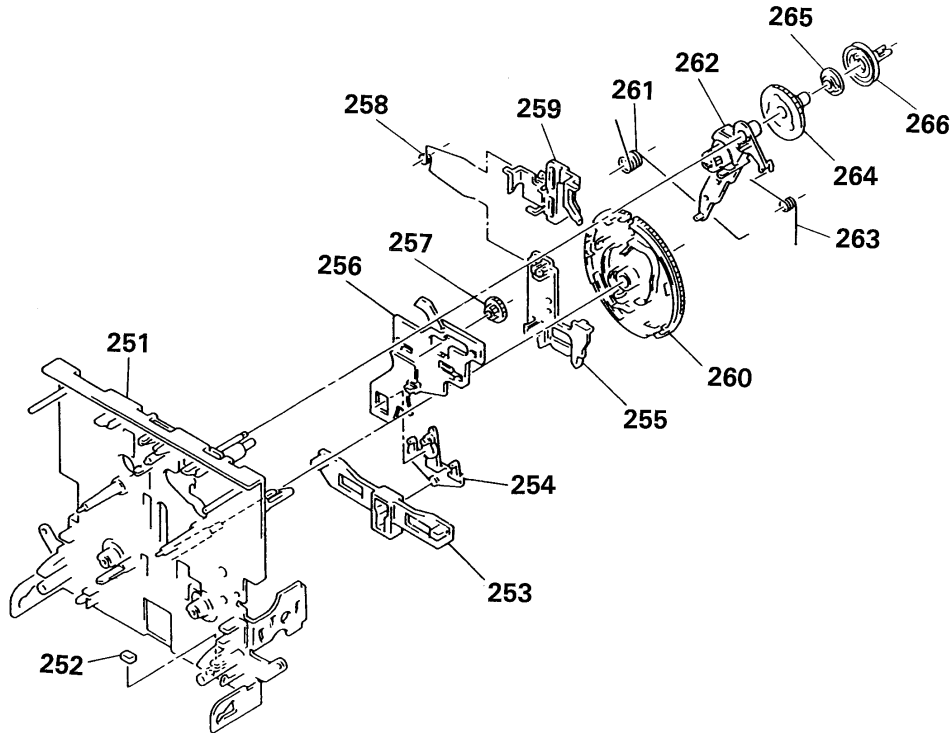
5-5. TC MECHANISM SECTION-1

(TCM-190RA12CL)
(TCM-190RB53C)



Ref. No.	Part No.	Description	Remark	Ref. No.	Part No.	Description	Remark
201	3-907-362-01	SPRING, TORSION		215	3-359-430-01	SPRING (CASSETTE RETAINER), LEAF	
202	3-356-714-01	WASHER		216	1-638-983-11	MOTOR FLEXIBLE BOARD	
203	X-3366-047-1	LEVER (PINCH F) ASSY		217	3-359-414-01	SCREW (+PTPWH 2X23)	
204	3-356-713-01	WASHER		218	X-3366-971-1	TABLE ASSY (B), REEL	
205	X-3366-048-1	LEVER (PINCH R) ASSY		* 219	A-2007-266-A	MD-A BOARD, COMPLETE (DECK A)	
206	X-3366-970-1	TABLE ASSY, REEL		* 219	A-2007-134-A	MD-B BOARD, COMPLETE (DECK B)	
207	3-359-424-01	GEAR (REV GEAR)		* 220	1-638-020-11	SW-A BOARD (DECK A)	
208	X-3367-629-1	FLYWHEEL (FWD) ASSY		* 220	1-638-020-11	SW-B BOARD (DECK B)	
209	X-3367-630-2	FLYWHEEL (REV) ASSY		HP1	A-2003-757-A	BASE ASSY, HEAD (DECK A)	
210	3-359-417-01	BELT (FLAT), CAPSTAN		HRP2	A-2003-930-A	BASE ASSY, HEAD (DECK B)	
211	3-355-808-21	PINCH ROLLER		M1 (A)	X-3363-501-1	MOTOR ASSY (REEL) (DECK A)	
212	3-359-436-01	BASE (THRUST RETAINER), FITTING		M1 (B)	X-3363-501-1	MOTOR ASSY (REEL) (DECK B)	
213	3-359-466-11	BELT (FR), SQUARE		M2 (A)	X-3365-377-1	MOTOR ASSY (CAPSTAN) (DECK A)	
214	3-575-321-00	RETAINER, THRUST, CAPSTAN		M2 (B)	X-3365-377-1	MOTOR ASSY (CAPSTAN) (DECK B)	

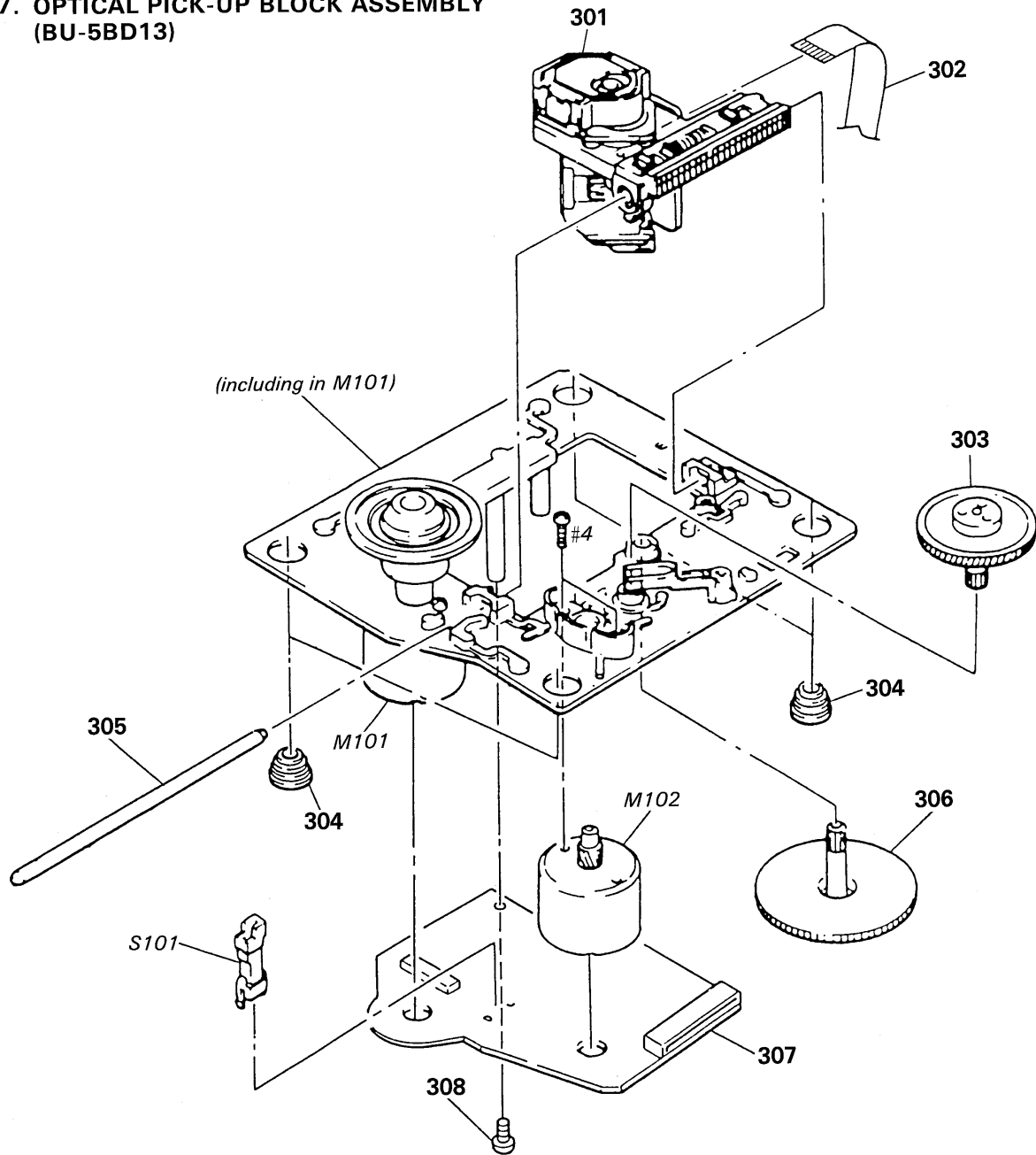
5-6. TC MECHANISM SECTION-2
 (TCM-190RA12CL)
 (TCM-190RB53C)



Ref. No.	Part No.	Description	Remark
251	X-3359-415-1	CHASSIS ASSY, MECHANICAL (DECK A)	
251	X-3363-790-1	CHASSIS ASSY, MECHANICAL (DECK B)	
252	3-359-469-01	SPACER	
* 253	3-359-425-01	SLIDER (REVERSE SLIDER)	
254	3-359-426-01	LEVER (REVERSE LEVER)	
* 255	3-359-427-01	SLIDER (LEVERSE SLIDER)	
* 256	3-359-415-01	SLIDER (TRIGGER SLIDER) (DECK A)	
256	3-359-415-11	SLIDER (TRIGGER SLIDER) (DECK B)	
257	3-359-448-01	GEAR (TRIGGER)	
258	3-359-454-01	SPRING, TORSION	

Ref. No.	Part No.	Description	Remark
259	3-359-429-01	SLIDER (BRAKE PLATE) (DECK A)	
259	3-359-429-11	SLIDER (BRAKE PLATE) (DECK B)	
260	3-359-420-01	GEAR (CAM GEAR)	
261	3-359-456-01	SPRING (TRIGGER SPRING), TORSION	
262	X-3366-569-1	ARM ASSY, FR	
263	3-359-453-01	SPRING (FR ARM), TORSION	
264	3-359-419-11	GEAR (FR GEAR)	
265	3-359-421-01	CLUTCH (REEL DISK)	
266	3-359-418-11	PULLEY (FR PULLEY)	

**5-7. OPTICAL PICK-UP BLOCK ASSEMBLY
(BU-5BD13)**



<p>The components identified by mark \triangle or dotted line with mark \triangle are critical for safety. Replace only with part number specified.</p>	<p>Les composants identifiés par une marque \triangle sont critiques pour la sécurité. Ne les remplacer que par une pièce portant le numéro spécifié.</p>
---	--

Ref. No.	Part No.	Description	Remark
\triangle 301	8-848-144-11	DEVICE, OPTICAL KSS-240A	
302	1-575-001-11	WIRE, FLAT TYPE (12 CORE)	
303	4-917-567-01	GEAR (M)	
304	4-951-940-01	INSULATOR (BU)	
305	4-917-565-01	SHAFT, SLED	
306	4-917-564-01	GEAR (P), FLATNESS	

Ref. No.	Part No.	Description	Remark
* 307	A-4649-890-A	BD BOARD, COMPLETE	
308	4-951-620-01	SCREW (2.6X8), +BVTP	
M101	X-4917-523-4	BASE (OUTSERT) ASSY (SPINDOLE MOTOR)	
M102	X-4917-504-1	MOTOR ASSY (SLED)	
S101	1-572-085-11	SWITCH, LEAF	