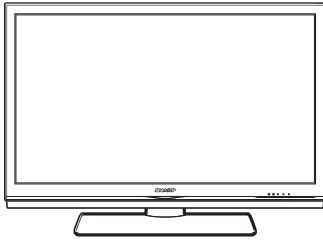
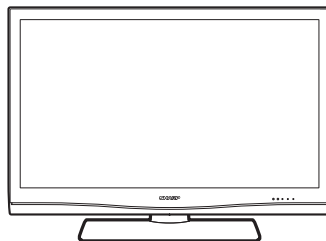


# SHARP PARTS GUIDE

No.S87O7LC42XL2E



LC-42/46/52XL2E/S/RU



LC-46/52X20E/S/RU

## LCD COLOUR TELEVISION

**LC-42XL2E/S/RU**

**LC-46XL2E/S/RU**

**LC-46X20E/S/RU**

**LC-52XL2E/S/RU**

**LC-52X20E/S/RU**

### CONTENTS

- |   |  |
|---|--|
| [1] PRINTED WIRING BOARD ASSEMBLIES   | [12] CABINET PARTS (LC-52XL2E/S/RU)                          |
| [2] LCD PANEL AND TUNER (NOTE: THE PARTS HERE SHOWN ARE SUPPLIED AS AN ASSEMBLY BUT NOT INDEPENDENTLY.) | [13] CABINET PARTS (LC-52X20E/S/RU)                          |
| [3] DUNTKE186FM01/FM02 (MAIN Unit)  | [14] SUPPLIED ACCESSORIES (LC-42/46/52XL2E/S/RU)             |
| [4] DUNTKE187FM01/FM02 (TERMINAL Unit)  | [15] OPERATION MANUALS (SMPL models: (LC-42/46/52XL2E/S/RU)) |
| [5] DUNTKE264FM01 (R/C, LED Unit)   | [16] OPERATION MANUALS (SMPL models:LC-46/52X20E/S/RU)       |
| [6] DUNTKE266FM01 (KEY Unit)  | [17] OPERATION MANUALS (SEES models:LC-46/52X20E/S/RU)       |
| [7] DUNTKE188FM01 (MINI AV Unit)  | [18] PACKING PARTS (LC-42XL2E/S/RU)                          |
| [8] DUNTKE270FM01 (ILLUMI Unit)   | [19] PACKING PARTS (LC-46XL2E/S/RU, 46X20E/S/RU)             |
| [9] CABINET PARTS (LC-42XL2E/S/RU)  | [20] PACKING PARTS (LC-52XL2E/S/RU, 52X20E/S/RU)             |
| [10] CABINET PARTS (LC-46XL2E/S/RU)   | [21] SERVICE JIGS  |
| [11] CABINET PARTS (LC-46X20E/S/RU)   |  |

Parts marked with "▲" are important for maintaining the safety of the set. Be sure to replace these parts with specified ones for maintaining the safety and performance of the set.

LC-42XL2E/S/RU, LC-46XL2E/S/RU, LC-46X20E/S/RU, LC-52XL2E/S/RU, LC-52X20E/S/RU

| NO.  | PARTS CODE     | PRICE RANK | NEW MARK | PART DELIVERY | DESCRIPTION  |
|--|----------------|------------|----------|---------------|--|
| <b>[1] PRINTED WIRING BOARD ASSEMBLIES</b>   |                |            |          |               |  |
| N  | DUNTKE186FM01  |            | N        | R             | MAIN Unit (LC-42/46/52XL2E/S/RU)                         |
| N  | DUNTKE186FM02  |            | N        | R             | MAIN Unit (LC-46/52X20E/S/RU)                            |
| N  | DUNTKE187FM01  |            | N        | R             | TERMINAL Unit (LC-42XL2E/S/RU, 46XL2E/S/RU, 52XL2E/S/RU) |
| N  | DUNTKE187FM02  |            | N        | R             | TERMINAL Unit (LC-46X20E/S/RU, 52X20E/S/RU)              |
| N  | DUNTKE264FM01  |            | N        | R             | R/C, LED Unit  |
| N  | DUNTKE266FM01  |            | N        | R             | KEY Unit   |
| N  | DUNTKE188FM01  |            | N        | R             | MIN IAV Unit   |
| N  | DUNTKE270FM01  |            | N        | R             | ILLUMINATION Unit (LC-42/46/52XL2E/S/RU only)            |
| N  | RDENCA231WJQZ  | -          | N        | P             | POWER Unit (Unit Replacement Item)                       |
| N  | RUNTKA311WJQZ  | -          | N        | P             | AC INLET Unit (Unit Replacement Item)                    |
| <b>[2] LCD PANEL AND TUNER (NOTE: THE PARTS HERE SHOWN ARE SUPPLIED AS AN ASSEMBLY BUT NOT INDEPENDENTLY.)</b> |                |            |          |               |  |
| N  | R1LK420D3LZ60Y |            | N        | J             | 42" Full HD LCD Panel Module (LC-42XL2E/S/RU)            |
| N  | R1LK460D3LZ60Y | FT         | N        | J             | 46" Full HD LCD Panel Module (LC-46XL2E/S/RU)            |
| N  | R1LK460D3LZ50Y | **         | N        | J             | 46" Full HD LCD Panel Module (LC-46X20E/S/RU)            |
| N  | R1LK520D3LZ60Y |            | N        | J             | 52" Full HD LCD Panel Module (LC-52XL2E/S/RU)            |
| N  | R1LK520D3LZ50Y |            | N        | J             | 52" Full HD LCD Panel Module (LC-52X20E/S/RU)            |
| △ TU7501   | RTUDAA014WJQZ  | AX         | N        | P             | Tuner  |
| <b>[3] DUNTKE186FM01/FM02 (MAIN Unit)</b>  |                |            |          |               |  |
| C1112  | RC-KZA510WJPZY | AB         |          | J             | Capacitor 10 16V Ceramic                                 |
| C1117  | VCCCCZ1HH3R0CY | AA         |          | J             | Capacitor 30p 50V Ceramic                                |
| C1118  | VCCCCZ1HH3R0CY | AA         |          | J             | Capacitor 30p 50V Ceramic                                |
| C1119  | VCCCCZ1HH3R0CY | AA         |          | J             | Capacitor 30p 50V Ceramic                                |
| C1120  | VCCCCZ1HH390JY | AB         |          | J             | Capacitor 39p 50V Ceramic                                |
| C1121  | VCCCCZ1HH390JY | AB         |          | J             | Capacitor 39p 50V Ceramic                                |
| C1122  | VCCCCZ1HH390JY | AB         |          | J             | Capacitor 39p 50V Ceramic                                |
| C1123  | VCCCCZ1HH150JY | AB         |          | J             | Capacitor 15p 50V Ceramic                                |
| C1124  | VCCCCZ1HH181JY | AB         |          | J             | Capacitor 180p 50V Ceramic                               |
| C1125  | VCCCCZ1HH101JY | AB         |          | J             | Capacitor 100p 50V Ceramic                               |
| C1126  | VCCCCZ1HH471JY | AA         |          | J             | Capacitor 470p 50V Ceramic                               |
| C1128  | VCAAPE1CJ686MY | AE         |          | J             | Capacitor 68 16V Electrolytic                            |
| C1129  | VCCCCZ1HH150JY | AB         |          | J             | Capacitor 15p 50V Ceramic                                |
| C1130  | VCCCCZ1HH150JY | AB         |          | J             | Capacitor 15p 50V Ceramic                                |
| C1137  | VCKYCZ1HB221KY | AA         |          | J             | Capacitor 220p 50V Ceramic                               |
| C1138  | VCKYCZ1HB221KY | AA         |          | J             | Capacitor 220p 50V Ceramic                               |
| C1501  | VCKYCZ1CF104ZY | AA         |          | J             | Capacitor 0.1 16V Ceramic                                |
| C1502  | VCKYCZ1CF104ZY | AA         |          | J             | Capacitor 0.1 16V Ceramic                                |
| C1503  | VCKYCZ1HB221KY | AA         |          | J             | Capacitor 220p 50V Ceramic                               |
| C1504  | VCKYCZ1CF104ZY | AA         |          | J             | Capacitor 0.1 16V Ceramic                                |
| C1505  | VCKYCZ1HB221KY | AA         |          | J             | Capacitor 220p 50V Ceramic                               |
| C1506  | VCKYCZ1HB221KY | AA         |          | J             | Capacitor 220p 50V Ceramic                               |
| C1507  | RC-KZA195WJZZY | AB         |          | J             | Capacitor 10 10V Ceramic                                 |
| C1508  | RC-KZA195WJZZY | AB         |          | J             | Capacitor 10 10V Ceramic                                 |
| C1509  | VCKYCZ1HB221KY | AA         |          | J             | Capacitor 220p 50V Ceramic                               |
| C1510  | VCKYCZ1HB102KY | AB         |          | J             | Capacitor 1000p 50V Ceramic                              |
| C1511  | VCKYCZ1HB102KY | AB         |          | J             | Capacitor 1000p 50V Ceramic                              |
| C1512  | VCKYTV1CB105KY | AC         |          | J             | Capacitor 1 16V Ceramic                                  |
| C1513  | VCKYTV1CB105KY | AC         |          | J             | Capacitor 1 16V Ceramic                                  |
| C1514  | VCERML1CN106MY | AC         |          | J             | Capacitor 10 16V Electrolytic                            |
| C1515  | VCKYCZ1CF104ZY | AA         |          | J             | Capacitor 0.1 16V Ceramic                                |
| C1516  | VCKYCZ1HB102KY | AB         |          | J             | Capacitor 1000p 50V Ceramic                              |
| C1517  | RC-KZA195WJZZY | AB         |          | J             | Capacitor 10 10V Ceramic                                 |
| C1521  | VCKYCZ1HB102KY | AB         |          | J             | Capacitor 1000p 50V Ceramic                              |
| C1522  | RC-KZA510WJPZY | AB         |          | J             | Capacitor 10 16V Ceramic                                 |
| C1523  | VCKYTV1CB105KY | AC         |          | J             | Capacitor 1 16V Ceramic                                  |
| C1524  | VCKYTV1CB105KY | AC         |          | J             | Capacitor 1 16V Ceramic                                  |
| C1525  | VCKYTV1CB105KY | AC         |          | J             | Capacitor 1 16V Ceramic                                  |
| C1526  | VCKYTV1CB105KY | AC         |          | J             | Capacitor 1 16V Ceramic                                  |
| C1531  | VCKYCZ1CF104ZY | AA         |          | J             | Capacitor 0.1 16V Ceramic                                |
| C1532  | VCKYCZ1HB102KY | AB         |          | J             | Capacitor 1000p 50V Ceramic                              |
| C1534  | VCKYCZ1CF104ZY | AA         |          | J             | Capacitor 0.1 16V Ceramic                                |
| C1538  | VCKYCZ1CF104ZY | AA         |          | J             | Capacitor 0.1 16V Ceramic                                |
| C1540  | VCAAPE0JJ227MY | AE         |          | J             | Capacitor 220 6.3V Electrolytic                          |
| C1543  | VCKYCZ1CF104ZY | AA         |          | J             | Capacitor 0.1 16V Ceramic                                |
| C1544  | VCKYCZ1HB102KY | AB         |          | J             | Capacitor 1000p 50V Ceramic                              |
| C1545  | VCKYCZ1CF104ZY | AA         |          | J             | Capacitor 0.1 16V Ceramic                                |
| C1546  | VCKYCZ1HB102KY | AB         |          | J             | Capacitor 1000p 50V Ceramic                              |
| C1547  | VCKYCZ1CF104ZY | AA         |          | J             | Capacitor 0.1 16V Ceramic                                |
| C1548  | VCKYCZ1HB102KY | AB         |          | J             | Capacitor 1000p 50V Ceramic                              |
| C1551  | RC-KZA195WJZZY | AB         |          | J             | Capacitor 10 10V Ceramic                                 |
| C1578  | VCKYCZ1CF104ZY | AA         |          | J             | Capacitor 0.1 16V Ceramic                                |
| C1579  | VCKYCZ1HB102KY | AB         |          | J             | Capacitor 1000p 50V Ceramic                              |
| C1582  | VCKYCZ1CF104ZY | AA         |          | J             | Capacitor 0.1 16V Ceramic                                |
| C1583  | VCKYCZ1HB102KY | AB         |          | J             | Capacitor 1000p 50V Ceramic                              |
| C1586  | VCKYCZ1CF104ZY | AA         |          | J             | Capacitor 0.1 16V Ceramic                                |
| C1587  | VCKYCZ1HB102KY | AB         |          | J             | Capacitor 1000p 50V Ceramic                              |
| C1589  | VCKYCZ1CF104ZY | AA         |          | J             | Capacitor 0.1 16V Ceramic                                |
| C1591  | VCKYCZ1HB102KY | AB         |          | J             | Capacitor 1000p 50V Ceramic                              |
| C1592  | VCKYCZ1CF104ZY | AA         |          | J             | Capacitor 0.1 16V Ceramic                                |
| C1596  | VCKYCZ1CF104ZY | AA         |          | J             | Capacitor 0.1 16V Ceramic                                |
| C1597  | VCKYCZ1HB102KY | AB         |          | J             | Capacitor 1000p 50V Ceramic                              |
| C1599  | VCKYCZ1HB102KY | AB         |          | J             | Capacitor 1000p 50V Ceramic                              |

LC-42XL2E/S/RU, LC-46XL2E/S/RU, LC-46X20E/S/RU, LC-52XL2E/S/RU, LC-52X20E/S/RU

| NO.                                       | PARTS CODE     | PRICE RANK | NEW MARK | PART DELIVERY | DESCRIPTION                 |
|---|----------------|------------|----------|---------------|-----------------------------|
| <b>[3] DUNTKE186FM01/FM02 (MAIN Unit)</b> |                |            |          |               |                             |
| C1608                                     | RC-KZA195WJZZY | AB         |          | J             | Capacitor 10 10V Ceramic    |
| C1613                                     | VCKYCZ1CF104ZY | AA         |          | J             | Capacitor 0.1 16V Ceramic   |
| C1614                                     | VCKYCZ1HB102KY | AB         |          | J             | Capacitor 1000p 50V Ceramic |
| C1615                                     | VCKYCZ1CF104ZY | AA         |          | J             | Capacitor 0.1 16V Ceramic   |
| C1616                                     | VCKYCZ1HB102KY | AB         |          | J             | Capacitor 1000p 50V Ceramic |
| C1801                                     | VCKYCZ1HB222KY | AB         |          | J             | Capacitor 2200p 50V Ceramic |
| C1802                                     | RC-KZA114WJZZY | AB         |          | J             | Capacitor 1 25V Ceramic     |
| C1813                                     | RC-KZA114WJZZY | AB         |          | J             | Capacitor 1 25V Ceramic     |
| C1816                                     | RC-KZA067WJZZY | AB         |          | J             | Capacitor 4.7 10V Ceramic   |
| C2001                                     | VCKYCZ1CF104ZY | AA         |          | J             | Capacitor 0.1 16V Ceramic   |
| C2002                                     | VCKYCZ1HB152KY | AB         |          | J             | Capacitor 1500p 50V Ceramic |
| C2003                                     | VCKYCZ1CF104ZY | AA         |          | J             | Capacitor 0.1 16V Ceramic   |
| C2009                                     | VCCCCZ1HH120JY | AB         |          | J             | Capacitor 12p 50V Ceramic   |
| C2011                                     | VCCCCZ1HH120JY | AB         |          | J             | Capacitor 12p 50V Ceramic   |
| C2012                                     | VCKYCZ1CF104ZY | AA         |          | J             | Capacitor 0.1 16V Ceramic   |
| C2016                                     | VCKYCZ1CF104ZY | AA         |          | J             | Capacitor 0.1 16V Ceramic   |
| C2019                                     | RC-KZA195WJZZY | AB         |          | J             | Capacitor 10 10V Ceramic    |
| C2020                                     | VCKYCZ1HB102KY | AB         |          | J             | Capacitor 1000p 50V Ceramic |
| C2021                                     | VCKYCZ1CF104ZY | AA         |          | J             | Capacitor 0.1 16V Ceramic   |
| C2023                                     | VCKYCZ1CF104ZY | AA         |          | J             | Capacitor 0.1 16V Ceramic   |
| C2026                                     | VCKYCZ1CF104ZY | AA         |          | J             | Capacitor 0.1 16V Ceramic   |
| C2027                                     | VCKYCZ1CF104ZY | AA         |          | J             | Capacitor 0.1 16V Ceramic   |
| C2030                                     | VCKYCZ1CB103KY | AB         |          | J             | Capacitor 0.01 16V Ceramic  |
| C2034                                     | VCKYCZ1CF104ZY | AA         |          | J             | Capacitor 0.1 16V Ceramic   |
| C2401                                     | VCKYCZ1CF104ZY | AA         |          | J             | Capacitor 0.1 16V Ceramic   |
| C2402                                     | VCKYCZ1CF104ZY | AA         |          | J             | Capacitor 0.1 16V Ceramic   |
| C2403                                     | RC-KZA195WJZZY | AB         |          | J             | Capacitor 10 10V Ceramic    |
| C2404                                     | VCKYCZ1CF104ZY | AA         |          | J             | Capacitor 0.1 16V Ceramic   |
| C2405                                     | VCKYCZ1CF104ZY | AA         |          | J             | Capacitor 0.1 16V Ceramic   |
| C2406                                     | VCKYCZ1CF104ZY | AA         |          | J             | Capacitor 0.1 16V Ceramic   |
| C2407                                     | VCKYCZ1CF104ZY | AA         |          | J             | Capacitor 0.1 16V Ceramic   |
| C2408                                     | VCKYCZ1CF104ZY | AA         |          | J             | Capacitor 0.1 16V Ceramic   |
| C2410                                     | VCKYCZ1CF104ZY | AA         |          | J             | Capacitor 0.1 16V Ceramic   |
| C2606                                     | VCCCCZ1HH101JY | AB         |          | J             | Capacitor 100p 50V Ceramic  |
| C2607                                     | VCCCCZ1HH101JY | AB         |          | J             | Capacitor 100p 50V Ceramic  |
| C2608                                     | VCCCCZ1HH101JY | AB         |          | J             | Capacitor 100p 50V Ceramic  |
| C3301                                     | VCKYCZ1CF104ZY | AA         |          | J             | Capacitor 0.1 16V Ceramic   |
| C3302                                     | VCKYCZ1CF104ZY | AA         |          | J             | Capacitor 0.1 16V Ceramic   |
| C3303                                     | VCKYCZ1CF104ZY | AA         |          | J             | Capacitor 0.1 16V Ceramic   |
| C3304                                     | VCKYCZ1CF104ZY | AA         |          | J             | Capacitor 0.1 16V Ceramic   |
| C3305                                     | VCKYCZ1CF104ZY | AA         |          | J             | Capacitor 0.1 16V Ceramic   |
| C3306                                     | VCKYCZ1CF104ZY | AA         |          | J             | Capacitor 0.1 16V Ceramic   |
| C3307                                     | VCKYCZ1CF104ZY | AA         |          | J             | Capacitor 0.1 16V Ceramic   |
| C3308                                     | VCKYCZ1CF104ZY | AA         |          | J             | Capacitor 0.1 16V Ceramic   |
| C3309                                     | VCKYCZ1CF104ZY | AA         |          | J             | Capacitor 0.1 16V Ceramic   |
| C3310                                     | VCKYCZ1CF104ZY | AA         |          | J             | Capacitor 0.1 16V Ceramic   |
| C3311                                     | VCKYCZ1CF104ZY | AA         |          | J             | Capacitor 0.1 16V Ceramic   |
| C3312                                     | VCKYCZ1CF104ZY | AA         |          | J             | Capacitor 0.1 16V Ceramic   |
| C3313                                     | VCCCCZ1HH3R0CY | AA         |          | J             | Capacitor 30p 50V Ceramic   |
| C3314                                     | VCCCCZ1HH3R0CY | AA         |          | J             | Capacitor 30p 50V Ceramic   |
| C3315                                     | VCKYCZ1CF104ZY | AA         |          | J             | Capacitor 0.1 16V Ceramic   |
| C3316                                     | VCKYCZ1CF104ZY | AA         |          | J             | Capacitor 0.1 16V Ceramic   |
| C3317                                     | VCKYCZ1CF104ZY | AA         |          | J             | Capacitor 0.1 16V Ceramic   |
| C3318                                     | VCKYCZ1CF104ZY | AA         |          | J             | Capacitor 0.1 16V Ceramic   |
| C3319                                     | VCKYCZ1CF104ZY | AA         |          | J             | Capacitor 0.1 16V Ceramic   |
| C3320                                     | VCKYCZ1CF104ZY | AA         |          | J             | Capacitor 0.1 16V Ceramic   |
| C3321                                     | VCKYCZ1CF104ZY | AA         |          | J             | Capacitor 0.1 16V Ceramic   |
| C3322                                     | VCKYCZ1CF104ZY | AA         |          | J             | Capacitor 0.1 16V Ceramic   |
| C3323                                     | VCKYCZ1CF104ZY | AA         |          | J             | Capacitor 0.1 16V Ceramic   |
| C3324                                     | VCKYCZ1CF104ZY | AA         |          | J             | Capacitor 0.1 16V Ceramic   |
| C3325                                     | RC-KZA195WJZZY | AB         |          | J             | Capacitor 10 10V Ceramic    |
| C3326                                     | RC-KZA195WJZZY | AB         |          | J             | Capacitor 10 10V Ceramic    |
| C3327                                     | RC-KZA195WJZZY | AB         |          | J             | Capacitor 10 10V Ceramic    |
| C3328                                     | VCKYCZ1CF104ZY | AA         |          | J             | Capacitor 0.1 16V Ceramic   |
| C3329                                     | RC-KZA195WJZZY | AB         |          | J             | Capacitor 10 10V Ceramic    |
| C3330                                     | VCKYCZ1CF104ZY | AA         |          | J             | Capacitor 0.1 16V Ceramic   |
| C3331                                     | RC-KZA195WJZZY | AB         |          | J             | Capacitor 10 10V Ceramic    |
| C3332                                     | VCKYCZ1CF104ZY | AA         |          | J             | Capacitor 0.1 16V Ceramic   |
| C3333                                     | RC-KZA195WJZZY | AB         |          | J             | Capacitor 10 10V Ceramic    |
| C3334                                     | VCKYCZ1CF104ZY | AA         |          | J             | Capacitor 0.1 16V Ceramic   |
| C3335                                     | RC-KZA195WJZZY | AB         |          | J             | Capacitor 10 10V Ceramic    |
| C3336                                     | VCKYCZ1CF104ZY | AA         |          | J             | Capacitor 0.1 16V Ceramic   |
| C3337                                     | RC-KZA195WJZZY | AB         |          | J             | Capacitor 10 10V Ceramic    |
| C3338                                     | VCKYCZ1CF104ZY | AA         |          | J             | Capacitor 0.1 16V Ceramic   |
| C3339                                     | RC-KZA195WJZZY | AB         |          | J             | Capacitor 10 10V Ceramic    |
| C3340                                     | VCKYCZ1CF104ZY | AA         |          | J             | Capacitor 0.1 16V Ceramic   |
| C3341                                     | RC-KZA195WJZZY | AB         |          | J             | Capacitor 10 10V Ceramic    |
| C3342                                     | VCKYCZ1CF104ZY | AA         |          | J             | Capacitor 0.1 16V Ceramic   |
| C3343                                     | RC-KZA195WJZZY | AB         |          | J             | Capacitor 10 10V Ceramic    |
| C3344                                     | VCKYCZ1CF104ZY | AA         |          | J             | Capacitor 0.1 16V Ceramic   |
| C3345                                     | VCKYCZ1CF104ZY | AA         |          | J             | Capacitor 0.1 16V Ceramic   |
| C3346                                     | RC-KZA195WJZZY | AB         |          | J             | Capacitor 10 10V Ceramic    |
| C3347                                     | VCKYCZ1CF104ZY | AA         |          | J             | Capacitor 0.1 16V Ceramic   |
| C3348                                     | RC-KZA195WJZZY | AB         |          | J             | Capacitor 10 10V Ceramic    |
| C3349                                     | VCKYCZ1CF104ZY | AA         |          | J             | Capacitor 0.1 16V Ceramic   |

LC-42XL2E/S/RU, LC-46XL2E/S/RU, LC-46X20E/S/RU, LC-52XL2E/S/RU, LC-52X20E/S/RU

| NO.                                       | PARTS CODE     | PRICE RANK | NEW MARK | PART DELIVERY | DESCRIPTION                     |
|---|----------------|------------|----------|---------------|---------------------------------|
| <b>[3] DUNTKE186FM01/FM02 (MAIN Unit)</b> |                |            |          |               |                                 |
| C3350                                     | VCKYCZ1CF104ZY | AA         |          | J             | Capacitor 0.1 16V Ceramic       |
| C3351                                     | VCKYCZ1CF104ZY | AA         |          | J             | Capacitor 0.1 16V Ceramic       |
| C3352                                     | VCKYCZ1CF104ZY | AA         |          | J             | Capacitor 0.1 16V Ceramic       |
| C3353                                     | VCKYCZ1HB102KY | AB         |          | J             | Capacitor 1000p 50V Ceramic     |
| C3354                                     | VCKYCZ1HB102KY | AB         |          | J             | Capacitor 1000p 50V Ceramic     |
| C3355                                     | VCKYCZ1HB102KY | AB         |          | J             | Capacitor 1000p 50V Ceramic     |
| C3356                                     | VCKYCZ1HB102KY | AB         |          | J             | Capacitor 1000p 50V Ceramic     |
| C3357                                     | RC-KZA195WJZZY | AB         |          | J             | Capacitor 10 10V Ceramic        |
| C3358                                     | VCKYCZ1CF104ZY | AA         |          | J             | Capacitor 0.1 16V Ceramic       |
| C3359                                     | VCKYCZ1CF104ZY | AA         |          | J             | Capacitor 0.1 16V Ceramic       |
| C3360                                     | VCKYCZ1CF104ZY | AA         |          | J             | Capacitor 0.1 16V Ceramic       |
| C3361                                     | VCKYCZ1CF104ZY | AA         |          | J             | Capacitor 0.1 16V Ceramic       |
| C3362                                     | VCKYCZ1HB102KY | AB         |          | J             | Capacitor 1000p 50V Ceramic     |
| C3363                                     | VCKYCZ1HB102KY | AB         |          | J             | Capacitor 1000p 50V Ceramic     |
| C3364                                     | VCKYCZ1HB102KY | AB         |          | J             | Capacitor 1000p 50V Ceramic     |
| C3365                                     | VCKYCZ1HB102KY | AB         |          | J             | Capacitor 1000p 50V Ceramic     |
| C3366                                     | RC-KZA195WJZZY | AB         |          | J             | Capacitor 10 10V Ceramic        |
| C3367                                     | VCKYCZ1CF104ZY | AA         |          | J             | Capacitor 0.1 16V Ceramic       |
| C3368                                     | VCKYCZ1CF104ZY | AA         |          | J             | Capacitor 0.1 16V Ceramic       |
| C3369                                     | VCKYCZ1CF104ZY | AA         |          | J             | Capacitor 0.1 16V Ceramic       |
| C3370                                     | VCKYCZ1CF104ZY | AA         |          | J             | Capacitor 0.1 16V Ceramic       |
| C3371                                     | VCKYCZ1HB102KY | AB         |          | J             | Capacitor 1000p 50V Ceramic     |
| C3372                                     | VCKYCZ1HB102KY | AB         |          | J             | Capacitor 1000p 50V Ceramic     |
| C3373                                     | VCKYCZ1HB102KY | AB         |          | J             | Capacitor 1000p 50V Ceramic     |
| C3374                                     | VCAAPE0JJ107MY | AE         |          | J             | Capacitor 100 6.3V Electrolytic |
| C3375                                     | VCKYCZ1HB102KY | AB         |          | J             | Capacitor 1000p 50V Ceramic     |
| C3376                                     | RC-KZA195WJZZY | AB         |          | J             | Capacitor 10 10V Ceramic        |
| C3377                                     | VCAAPE0JJ107MY | AE         |          | J             | Capacitor 100 6.3V Electrolytic |
| C3378                                     | VCAAPE0JJ107MY | AE         |          | J             | Capacitor 100 6.3V Electrolytic |
| C3379                                     | VCKYCZ1CF104ZY | AA         |          | J             | Capacitor 0.1 16V Ceramic       |
| C3380                                     | VCKYCZ1CF104ZY | AA         |          | J             | Capacitor 0.1 16V Ceramic       |
| C3381                                     | VCKYCZ1CF104ZY | AA         |          | J             | Capacitor 0.1 16V Ceramic       |
| C3382                                     | VCKYCZ1CF104ZY | AA         |          | J             | Capacitor 0.1 16V Ceramic       |
| C3383                                     | VCKYCZ1CF104ZY | AA         |          | J             | Capacitor 0.1 16V Ceramic       |
| C3384                                     | RC-KZA195WJZZY | AB         |          | J             | Capacitor 10 10V Ceramic        |
| C3385                                     | RC-KZA195WJZZY | AB         |          | J             | Capacitor 10 10V Ceramic        |
| C3386                                     | VCKYCZ1CF104ZY | AA         |          | J             | Capacitor 0.1 16V Ceramic       |
| C3387                                     | VCKYCZ1CF104ZY | AA         |          | J             | Capacitor 0.1 16V Ceramic       |
| C3388                                     | RC-KZA195WJZZY | AB         |          | J             | Capacitor 10 10V Ceramic        |
| C3389                                     | RC-KZA195WJZZY | AB         |          | J             | Capacitor 10 10V Ceramic        |
| C3390                                     | RC-KZA195WJZZY | AB         |          | J             | Capacitor 10 10V Ceramic        |
| C3391                                     | VCKYCZ1HB272KY | AA         |          | J             | Capacitor 2700p 50V Ceramic     |
| C3393                                     | VCKYCZ1HB272KY | AA         |          | J             | Capacitor 2700p 50V Ceramic     |
| C3395                                     | VCKYCZ1CF104ZY | AA         |          | J             | Capacitor 0.1 16V Ceramic       |
| C3396                                     | RC-KZA195WJZZY | AB         |          | J             | Capacitor 10 10V Ceramic        |
| C3397                                     | VCKYCZ1CF104ZY | AA         |          | J             | Capacitor 0.1 16V Ceramic       |
| C3398                                     | RC-KZA195WJZZY | AB         |          | J             | Capacitor 10 10V Ceramic        |
| C3502                                     | RC-KZA195WJZZY | AB         |          | J             | Capacitor 10 10V Ceramic        |
| C3503                                     | VCKYCZ1CF104ZY | AA         |          | J             | Capacitor 0.1 16V Ceramic       |
| C3504                                     | VCKYCZ1CF104ZY | AA         |          | J             | Capacitor 0.1 16V Ceramic       |
| C3505                                     | VCKYCZ1HB102KY | AB         |          | J             | Capacitor 1000p 50V Ceramic     |
| C3506                                     | VCKYCZ1HB102KY | AB         |          | J             | Capacitor 1000p 50V Ceramic     |
| C3507                                     | VCKYCZ1HB102KY | AB         |          | J             | Capacitor 1000p 50V Ceramic     |
| C3508                                     | VCKYCZ1HB102KY | AB         |          | J             | Capacitor 1000p 50V Ceramic     |
| C3513                                     | RC-KZA195WJZZY | AB         |          | J             | Capacitor 10 10V Ceramic        |
| C3514                                     | VCKYCZ1CF104ZY | AA         |          | J             | Capacitor 0.1 16V Ceramic       |
| C3515                                     | VCKYCZ1CF104ZY | AA         |          | J             | Capacitor 0.1 16V Ceramic       |
| C3516                                     | VCKYCZ1HB102KY | AB         |          | J             | Capacitor 1000p 50V Ceramic     |
| C3517                                     | VCKYCZ1HB102KY | AB         |          | J             | Capacitor 1000p 50V Ceramic     |
| C3518                                     | VCKYCZ1EB103KY | AA         |          | J             | Capacitor 0.01 25V Ceramic      |
| C3520                                     | RC-KZA195WJZZY | AB         |          | J             | Capacitor 10 10V Ceramic        |
| C3521                                     | VCKYCZ1CF104ZY | AA         |          | J             | Capacitor 0.1 16V Ceramic       |
| C3522                                     | VCKYCZ1CF104ZY | AA         |          | J             | Capacitor 0.1 16V Ceramic       |
| C3523                                     | VCKYCZ1HB102KY | AB         |          | J             | Capacitor 1000p 50V Ceramic     |
| C3524                                     | VCKYCZ1HB102KY | AB         |          | J             | Capacitor 1000p 50V Ceramic     |
| C3525                                     | VCKYCZ1HB102KY | AB         |          | J             | Capacitor 1000p 50V Ceramic     |
| C3526                                     | VCKYCZ1HB102KY | AB         |          | J             | Capacitor 1000p 50V Ceramic     |
| C3531                                     | RC-KZA195WJZZY | AB         |          | J             | Capacitor 10 10V Ceramic        |
| C3532                                     | VCKYCZ1CF104ZY | AA         |          | J             | Capacitor 0.1 16V Ceramic       |
| C3533                                     | VCKYCZ1CF104ZY | AA         |          | J             | Capacitor 0.1 16V Ceramic       |
| C3534                                     | VCKYCZ1HB102KY | AB         |          | J             | Capacitor 1000p 50V Ceramic     |
| C3535                                     | VCKYCZ1HB102KY | AB         |          | J             | Capacitor 1000p 50V Ceramic     |
| C3537                                     | VCKYCZ1CF104ZY | AA         |          | J             | Capacitor 0.1 16V Ceramic       |
| C3538                                     | VCKYCZ1CF104ZY | AA         |          | J             | Capacitor 0.1 16V Ceramic       |
| C3539                                     | VCAAPE0JJ107MY | AE         |          | J             | Capacitor 100 6.3V Electrolytic |
| C3540                                     | VCKYCZ1CF104ZY | AA         |          | J             | Capacitor 0.1 16V Ceramic       |
| C3541                                     | VCKYCZ1CF104ZY | AA         |          | J             | Capacitor 0.1 16V Ceramic       |
| C3542                                     | VCKYCZ1HB102KY | AB         |          | J             | Capacitor 1000p 50V Ceramic     |
| C3543                                     | VCKYCZ1HB102KY | AB         |          | J             | Capacitor 1000p 50V Ceramic     |
| C3544                                     | VCKYCZ1CF104ZY | AA         |          | J             | Capacitor 0.1 16V Ceramic       |
| C3545                                     | VCKYCZ1CF104ZY | AA         |          | J             | Capacitor 0.1 16V Ceramic       |
| C3546                                     | VCKYCZ1HB102KY | AB         |          | J             | Capacitor 1000p 50V Ceramic     |
| C3547                                     | VCKYCZ1HB102KY | AB         |          | J             | Capacitor 1000p 50V Ceramic     |
| C4404                                     | VCKYCZ1CF104ZY | AA         |          | J             | Capacitor 0.1 16V Ceramic       |
| C4405                                     | VCKYCZ1CF104ZY | AA         |          | J             | Capacitor 0.1 16V Ceramic       |

LC-42XL2E/S/RU, LC-46XL2E/S/RU, LC-46X20E/S/RU, LC-52XL2E/S/RU, LC-52X20E/S/RU

| NO.                                       | PARTS CODE     | PRICE RANK | NEW MARK | PART DELIVERY | DESCRIPTION                     |
|---|----------------|------------|----------|---------------|---------------------------------|
| <b>[3] DUNTKE186FM01/FM02 (MAIN Unit)</b> |                |            |          |               |                                 |
| C4406                                     | VCKYCZ1CF104ZY | AA         |          | J             | Capacitor 0.1 16V Ceramic       |
| C4408                                     | VCKYCZ1CF104ZY | AA         |          | J             | Capacitor 0.1 16V Ceramic       |
| C4410                                     | VCKYCZ1CF104ZY | AA         |          | J             | Capacitor 0.1 16V Ceramic       |
| C4411                                     | VCKYCZ1CF104ZY | AA         |          | J             | Capacitor 0.1 16V Ceramic       |
| C4417                                     | VCKYCZ1EF104ZY | AA         |          | J             | Capacitor 0.1 25V Ceramic       |
| C4420                                     | VCAAPE1CJ686MY | AE         |          | J             | Capacitor 68 16V Electrolytic   |
| C8101                                     | VCKYCZ1CF104ZY | AA         |          | J             | Capacitor 0.1 16V Ceramic       |
| C8102                                     | VCKYCZ1CF104ZY | AA         |          | J             | Capacitor 0.1 16V Ceramic       |
| C8103                                     | VCKYCZ1CF104ZY | AA         |          | J             | Capacitor 0.1 16V Ceramic       |
| C8104                                     | VCCCCZ1HH2R0CY | AA         |          | J             | Capacitor 20p 50V Ceramic       |
| C8105                                     | VCCCCZ1HH1R0CY | AB         |          | J             | Capacitor 10p 50V Ceramic       |
| C8106                                     | VCCCCZ1HH120JY | AB         |          | J             | Capacitor 12p 50V Ceramic       |
| C8107                                     | VCCCCZ1HH120JY | AB         |          | J             | Capacitor 12p 50V Ceramic       |
| C8108                                     | RC-KZA195WJZZY | AB         |          | J             | Capacitor 10 10V Ceramic        |
| C8109                                     | VCKYCZ1CF104ZY | AA         |          | J             | Capacitor 0.1 16V Ceramic       |
| C8110                                     | RC-KZA195WJZZY | AB         |          | J             | Capacitor 10 10V Ceramic        |
| C8111                                     | VCKYCZ1CF104ZY | AA         |          | J             | Capacitor 0.1 16V Ceramic       |
| C8112                                     | RC-KZA195WJZZY | AB         |          | J             | Capacitor 10 10V Ceramic        |
| C8113                                     | VCKYCZ1CF104ZY | AA         |          | J             | Capacitor 0.1 16V Ceramic       |
| C8114                                     | RC-KZA195WJZZY | AB         |          | J             | Capacitor 10 10V Ceramic        |
| C8115                                     | VCKYCZ1CF104ZY | AA         |          | J             | Capacitor 0.1 16V Ceramic       |
| C8116                                     | VCKYCZ1CF104ZY | AA         |          | J             | Capacitor 0.1 16V Ceramic       |
| C8117                                     | VCKYCZ1CF104ZY | AA         |          | J             | Capacitor 0.1 16V Ceramic       |
| C8118                                     | VCKYCZ1CF104ZY | AA         |          | J             | Capacitor 0.1 16V Ceramic       |
| C8119                                     | VCKYCZ1CF104ZY | AA         |          | J             | Capacitor 0.1 16V Ceramic       |
| C8120                                     | RC-KZA195WJZZY | AB         |          | J             | Capacitor 10 10V Ceramic        |
| C8121                                     | RC-KZA195WJZZY | AB         |          | J             | Capacitor 10 10V Ceramic        |
| C8122                                     | RC-KZA195WJZZY | AB         |          | J             | Capacitor 10 10V Ceramic        |
| C8123                                     | RC-KZA195WJZZY | AB         |          | J             | Capacitor 10 10V Ceramic        |
| C8124                                     | VCKYCZ1CF104ZY | AA         |          | J             | Capacitor 0.1 16V Ceramic       |
| C8125                                     | VCKYCZ1CF104ZY | AA         |          | J             | Capacitor 0.1 16V Ceramic       |
| C8126                                     | VCKYCZ1CF104ZY | AA         |          | J             | Capacitor 0.1 16V Ceramic       |
| C8127                                     | VCKYCZ1CF104ZY | AA         |          | J             | Capacitor 0.1 16V Ceramic       |
| C8128                                     | VCKYCZ1CF104ZY | AA         |          | J             | Capacitor 0.1 16V Ceramic       |
| C8129                                     | RC-KZA195WJZZY | AB         |          | J             | Capacitor 10 10V Ceramic        |
| C8130                                     | RC-KZA195WJZZY | AB         |          | J             | Capacitor 10 10V Ceramic        |
| C8131                                     | RC-KZA195WJZZY | AB         |          | J             | Capacitor 10 10V Ceramic        |
| C8132                                     | RC-KZA195WJZZY | AB         |          | J             | Capacitor 10 10V Ceramic        |
| C8133                                     | RC-KZA195WJZZY | AB         |          | J             | Capacitor 10 10V Ceramic        |
| C8134                                     | VCKYCZ1CF104ZY | AA         |          | J             | Capacitor 0.1 16V Ceramic       |
| C8135                                     | VCKYCZ1CF104ZY | AA         |          | J             | Capacitor 0.1 16V Ceramic       |
| C8136                                     | VCKYCZ1CF104ZY | AA         |          | J             | Capacitor 0.1 16V Ceramic       |
| C8137                                     | VCKYCZ1CF104ZY | AA         |          | J             | Capacitor 0.1 16V Ceramic       |
| C8138                                     | RC-KZA195WJZZY | AB         |          | J             | Capacitor 10 10V Ceramic        |
| C8139                                     | RC-KZA195WJZZY | AB         |          | J             | Capacitor 10 10V Ceramic        |
| C8140                                     | RC-KZA195WJZZY | AB         |          | J             | Capacitor 10 10V Ceramic        |
| C8141                                     | RC-KZA195WJZZY | AB         |          | J             | Capacitor 10 10V Ceramic        |
| C8142                                     | RC-KZA195WJZZY | AB         |          | J             | Capacitor 10 10V Ceramic        |
| C8143                                     | VCKYCZ1CF104ZY | AA         |          | J             | Capacitor 0.1 16V Ceramic       |
| C8144                                     | VCKYCZ1CF104ZY | AA         |          | J             | Capacitor 0.1 16V Ceramic       |
| C8145                                     | VCKYCZ1CF104ZY | AA         |          | J             | Capacitor 0.1 16V Ceramic       |
| C8146                                     | VCKYCZ1CF104ZY | AA         |          | J             | Capacitor 0.1 16V Ceramic       |
| C8147                                     | RC-KZA195WJZZY | AB         |          | J             | Capacitor 10 10V Ceramic        |
| C8148                                     | RC-KZA195WJZZY | AB         |          | J             | Capacitor 10 10V Ceramic        |
| C8149                                     | RC-KZA195WJZZY | AB         |          | J             | Capacitor 10 10V Ceramic        |
| C8150                                     | VCAAPE0JJ107MY | AE         |          | J             | Capacitor 100 6.3V Electrolytic |
| C8151                                     | VCAAPE0JJ107MY | AE         |          | J             | Capacitor 100 6.3V Electrolytic |
| C8152                                     | VCKYCZ1CF104ZY | AA         |          | J             | Capacitor 0.1 16V Ceramic       |
| C8153                                     | VCKYCZ1CF104ZY | AA         |          | J             | Capacitor 0.1 16V Ceramic       |
| C8154                                     | VCKYCZ1CF104ZY | AA         |          | J             | Capacitor 0.1 16V Ceramic       |
| C8155                                     | VCKYCZ1CF104ZY | AA         |          | J             | Capacitor 0.1 16V Ceramic       |
| C8156                                     | VCKYCZ1CF104ZY | AA         |          | J             | Capacitor 0.1 16V Ceramic       |
| C8157                                     | VCKYCZ1CF104ZY | AA         |          | J             | Capacitor 0.1 16V Ceramic       |
| C8158                                     | VCKYCZ1HB102KY | AB         |          | J             | Capacitor 1000p 50V Ceramic     |
| C8159                                     | VCKYCZ1HB102KY | AB         |          | J             | Capacitor 1000p 50V Ceramic     |
| C8160                                     | VCKYCZ1HB102KY | AB         |          | J             | Capacitor 1000p 50V Ceramic     |
| C8161                                     | VCKYCZ1HB102KY | AB         |          | J             | Capacitor 1000p 50V Ceramic     |
| C8162                                     | VCKYCZ1HB102KY | AB         |          | J             | Capacitor 1000p 50V Ceramic     |
| C8163                                     | VCKYCZ1HB102KY | AB         |          | J             | Capacitor 1000p 50V Ceramic     |
| C8164                                     | RC-KZA195WJZZY | AB         |          | J             | Capacitor 10 10V Ceramic        |
| C8165                                     | RC-KZA195WJZZY | AB         |          | J             | Capacitor 10 10V Ceramic        |
| C8166                                     | VCKYCZ1CF104ZY | AA         |          | J             | Capacitor 0.1 16V Ceramic       |
| C8167                                     | VCKYCZ1CF104ZY | AA         |          | J             | Capacitor 0.1 16V Ceramic       |
| C8168                                     | VCKYCZ1CF104ZY | AA         |          | J             | Capacitor 0.1 16V Ceramic       |
| C8169                                     | VCKYCZ1CF104ZY | AA         |          | J             | Capacitor 0.1 16V Ceramic       |
| C8170                                     | VCKYCZ1HB102KY | AB         |          | J             | Capacitor 1000p 50V Ceramic     |
| C8171                                     | VCKYCZ1HB102KY | AB         |          | J             | Capacitor 1000p 50V Ceramic     |
| C8172                                     | VCKYCZ1HB102KY | AB         |          | J             | Capacitor 1000p 50V Ceramic     |
| C8173                                     | VCKYCZ1HB102KY | AB         |          | J             | Capacitor 1000p 50V Ceramic     |
| C8174                                     | RC-KZA195WJZZY | AB         |          | J             | Capacitor 10 10V Ceramic        |
| C8175                                     | RC-KZA195WJZZY | AB         |          | J             | Capacitor 10 10V Ceramic        |
| C8176                                     | VCKYCZ1HB272KY | AA         |          | J             | Capacitor 2700p 50V Ceramic     |
| C8177                                     | VCKYCZ1HB272KY | AA         |          | J             | Capacitor 2700p 50V Ceramic     |
| C8178                                     | VCKYCZ1HB272KY | AA         |          | J             | Capacitor 2700p 50V Ceramic     |
| C8179                                     | VCKYCZ1HB272KY | AA         |          | J             | Capacitor 2700p 50V Ceramic     |

LC-42XL2E/S/RU, LC-46XL2E/S/RU, LC-46X20E/S/RU, LC-52XL2E/S/RU, LC-52X20E/S/RU

| NO.                                       | PARTS CODE     | PRICE RANK | NEW MARK | PART DELIVERY | DESCRIPTION                 |
|---|----------------|------------|----------|---------------|-----------------------------|
| <b>[3] DUNTKE186FM01/FM02 (MAIN Unit)</b> |                |            |          |               |                             |
| C8180                                     | VCKYCZ1HB272KY | AA         |          | J             | Capacitor 2700p 50V Ceramic |
| C8181                                     | VCKYCZ1HB272KY | AA         |          | J             | Capacitor 2700p 50V Ceramic |
| C8182                                     | VCKYCZ1HB272KY | AA         |          | J             | Capacitor 2700p 50V Ceramic |
| C8183                                     | VCKYCZ1HB102KY | AB         |          | J             | Capacitor 1000p 50V Ceramic |
| C8184                                     | RC-KZA195WJZZY | AB         |          | J             | Capacitor 10 10V Ceramic    |
| C8185                                     | RC-KZA195WJZZY | AB         |          | J             | Capacitor 10 10V Ceramic    |
| C8186                                     | VCKYCZ1CF104ZY | AA         |          | J             | Capacitor 0.1 16V Ceramic   |
| C8187                                     | VCKYCZ1CF104ZY | AA         |          | J             | Capacitor 0.1 16V Ceramic   |
| C8188                                     | VCKYCZ1CF104ZY | AA         |          | J             | Capacitor 0.1 16V Ceramic   |
| C8189                                     | VCKYCZ1CF104ZY | AA         |          | J             | Capacitor 0.1 16V Ceramic   |
| C8190                                     | VCKYCZ1HB102KY | AB         |          | J             | Capacitor 1000p 50V Ceramic |
| C8191                                     | VCKYCZ1HB102KY | AB         |          | J             | Capacitor 1000p 50V Ceramic |
| C8192                                     | VCKYCZ1HB102KY | AB         |          | J             | Capacitor 1000p 50V Ceramic |
| C8193                                     | VCKYCZ1HB102KY | AB         |          | J             | Capacitor 1000p 50V Ceramic |
| C8194                                     | RC-KZA388WJZZY | AC         |          | J             | Capacitor 10 6.3V Ceramic   |
| C8195                                     | VCKYCZ1AB104KY | AB         |          | J             | Capacitor 0.1 10V Ceramic   |
| C8196                                     | VCKYCZ1AB104KY | AB         |          | J             | Capacitor 0.1 10V Ceramic   |
| C8197                                     | VCKYCZ1HB102KY | AB         |          | J             | Capacitor 1000p 50V Ceramic |
| C8198                                     | VCKYCZ1HB102KY | AB         |          | J             | Capacitor 1000p 50V Ceramic |
| C8199                                     | RC-KZA388WJZZY | AC         |          | J             | Capacitor 10 6.3V Ceramic   |
| C8200                                     | VCKYCZ1AB104KY | AB         |          | J             | Capacitor 0.1 10V Ceramic   |
| C8201                                     | VCKYCZ1AB104KY | AB         |          | J             | Capacitor 0.1 10V Ceramic   |
| C8202                                     | VCKYCZ1HB102KY | AB         |          | J             | Capacitor 1000p 50V Ceramic |
| C8203                                     | VCKYCZ1HB102KY | AB         |          | J             | Capacitor 1000p 50V Ceramic |
| C8204                                     | RC-KZA388WJZZY | AC         |          | J             | Capacitor 10 6.3V Ceramic   |
| C8205                                     | VCKYCZ1AB104KY | AB         |          | J             | Capacitor 0.1 10V Ceramic   |
| C8206                                     | VCKYCZ1AB104KY | AB         |          | J             | Capacitor 0.1 10V Ceramic   |
| C8207                                     | VCKYCZ1AB104KY | AB         |          | J             | Capacitor 0.1 10V Ceramic   |
| C8208                                     | VCKYCZ1AB104KY | AB         |          | J             | Capacitor 0.1 10V Ceramic   |
| C8209                                     | VCKYCZ1HB102KY | AB         |          | J             | Capacitor 1000p 50V Ceramic |
| C8210                                     | VCKYCZ1HB102KY | AB         |          | J             | Capacitor 1000p 50V Ceramic |
| C8211                                     | VCKYCZ1HB102KY | AB         |          | J             | Capacitor 1000p 50V Ceramic |
| C8212                                     | VCKYCZ1HB102KY | AB         |          | J             | Capacitor 1000p 50V Ceramic |
| C8213                                     | VCKYCZ1AB104KY | AB         |          | J             | Capacitor 0.1 10V Ceramic   |
| C8214                                     | RC-KZA388WJZZY | AC         |          | J             | Capacitor 10 6.3V Ceramic   |
| C8215                                     | RC-KZA388WJZZY | AC         |          | J             | Capacitor 10 6.3V Ceramic   |
| C8216                                     | VCKYCZ1AB104KY | AB         |          | J             | Capacitor 0.1 10V Ceramic   |
| C8217                                     | VCKYCZ1AB104KY | AB         |          | J             | Capacitor 0.1 10V Ceramic   |
| C8218                                     | VCKYCZ1HB102KY | AB         |          | J             | Capacitor 1000p 50V Ceramic |
| C8219                                     | VCKYCZ1HB102KY | AB         |          | J             | Capacitor 1000p 50V Ceramic |
| C8220                                     | RC-KZA388WJZZY | AC         |          | J             | Capacitor 10 6.3V Ceramic   |
| C8221                                     | VCKYCZ1AB104KY | AB         |          | J             | Capacitor 0.1 10V Ceramic   |
| C8222                                     | VCKYCZ1AB104KY | AB         |          | J             | Capacitor 0.1 10V Ceramic   |
| C8223                                     | VCKYCZ1HB102KY | AB         |          | J             | Capacitor 1000p 50V Ceramic |
| C8224                                     | VCKYCZ1HB102KY | AB         |          | J             | Capacitor 1000p 50V Ceramic |
| C8225                                     | VCKYCZ1AB104KY | AB         |          | J             | Capacitor 0.1 10V Ceramic   |
| C8226                                     | VCKYCZ1HB102KY | AB         |          | J             | Capacitor 1000p 50V Ceramic |
| C8227                                     | VCKYCZ1HB102KY | AB         |          | J             | Capacitor 1000p 50V Ceramic |
| C8228                                     | VCKYCZ1HB102KY | AB         |          | J             | Capacitor 1000p 50V Ceramic |
| C8229                                     | VCKYCZ1HB102KY | AB         |          | J             | Capacitor 1000p 50V Ceramic |
| C8230                                     | RC-KZA195WJZZY | AB         |          | J             | Capacitor 10 10V Ceramic    |
| C8301                                     | VCKYCZ1EB103KY | AA         |          | J             | Capacitor 0.01 25V Ceramic  |
| C8302                                     | VCKYCZ1EB103KY | AA         |          | J             | Capacitor 0.01 25V Ceramic  |
| C8303                                     | VCKYCZ1CF104ZY | AA         |          | J             | Capacitor 0.1 16V Ceramic   |
| C8304                                     | VCKYCZ1CF104ZY | AA         |          | J             | Capacitor 0.1 16V Ceramic   |
| C8314                                     | VCKYCZ1CF104ZY | AA         |          | J             | Capacitor 0.1 16V Ceramic   |
| C8315                                     | VCKYCZ1CF104ZY | AA         |          | J             | Capacitor 0.1 16V Ceramic   |
| C8316                                     | VCKYCZ1CF104ZY | AA         |          | J             | Capacitor 0.1 16V Ceramic   |
| C8317                                     | VCKYCZ1CF104ZY | AA         |          | J             | Capacitor 0.1 16V Ceramic   |
| C8318                                     | RC-KZA195WJZZY | AB         |          | J             | Capacitor 10 10V Ceramic    |
| C8319                                     | RC-KZA195WJZZY | AB         |          | J             | Capacitor 10 10V Ceramic    |
| C8320                                     | RC-KZA195WJZZY | AB         |          | J             | Capacitor 10 10V Ceramic    |
| C8321                                     | RC-KZA195WJZZY | AB         |          | J             | Capacitor 10 10V Ceramic    |
| C8322                                     | RC-KZA195WJZZY | AB         |          | J             | Capacitor 10 10V Ceramic    |
| C8327                                     | VCKYCZ1CF104ZY | AA         |          | J             | Capacitor 0.1 16V Ceramic   |
| C8328                                     | VCKYCZ1CF104ZY | AA         |          | J             | Capacitor 0.1 16V Ceramic   |
| C8329                                     | VCKYCZ1CF104ZY | AA         |          | J             | Capacitor 0.1 16V Ceramic   |
| C8330                                     | VCKYCZ1CF104ZY | AA         |          | J             | Capacitor 0.1 16V Ceramic   |
| C8331                                     | VCKYCZ1CF104ZY | AA         |          | J             | Capacitor 0.1 16V Ceramic   |
| C8332                                     | VCKYCZ1CF104ZY | AA         |          | J             | Capacitor 0.1 16V Ceramic   |
| C8333                                     | VCKYCZ1CF104ZY | AA         |          | J             | Capacitor 0.1 16V Ceramic   |
| C8334                                     | VCKYCZ1CF104ZY | AA         |          | J             | Capacitor 0.1 16V Ceramic   |
| C8335                                     | VCKYCZ1CF104ZY | AA         |          | J             | Capacitor 0.1 16V Ceramic   |
| C8336                                     | VCKYCZ1CF104ZY | AA         |          | J             | Capacitor 0.1 16V Ceramic   |
| C8337                                     | VCKYCZ1CF104ZY | AA         |          | J             | Capacitor 0.1 16V Ceramic   |
| C8338                                     | VCKYCZ1CF104ZY | AA         |          | J             | Capacitor 0.1 16V Ceramic   |
| C8339                                     | VCKYCZ1CF104ZY | AA         |          | J             | Capacitor 0.1 16V Ceramic   |
| C8340                                     | VCKYCZ1CF104ZY | AA         |          | J             | Capacitor 0.1 16V Ceramic   |
| C8341                                     | VCKYCZ1CF104ZY | AA         |          | J             | Capacitor 0.1 16V Ceramic   |
| C8342                                     | VCKYCZ1CF104ZY | AA         |          | J             | Capacitor 0.1 16V Ceramic   |
| C8343                                     | VCKYCZ1CF104ZY | AA         |          | J             | Capacitor 0.1 16V Ceramic   |
| C8344                                     | VCKYCZ1CF104ZY | AA         |          | J             | Capacitor 0.1 16V Ceramic   |
| C8345                                     | RC-KZA195WJZZY | AB         |          | J             | Capacitor 10 10V Ceramic    |
| C8346                                     | RC-KZA195WJZZY | AB         |          | J             | Capacitor 10 10V Ceramic    |
| C8347                                     | VCKYCZ1CF104ZY | AA         |          | J             | Capacitor 0.1 16V Ceramic   |

LC-42XL2E/S/RU, LC-46XL2E/S/RU, LC-46X20E/S/RU, LC-52XL2E/S/RU, LC-52X20E/S/RU

| NO.                                       | PARTS CODE     | PRICE RANK | NEW MARK | PART DELIVERY | DESCRIPTION                     |
|---|----------------|------------|----------|---------------|---------------------------------|
| <b>[3] DUNTKE186FM01/FM02 (MAIN Unit)</b> |                |            |          |               |                                 |
| C8348                                     | VCKYCZ1CF104ZY | AA         |          | J             | Capacitor 0.1 16V Ceramic       |
| C8349                                     | VCKYCZ1CF104ZY | AA         |          | J             | Capacitor 0.1 16V Ceramic       |
| C8350                                     | VCKYCZ1CF104ZY | AA         |          | J             | Capacitor 0.1 16V Ceramic       |
| C8351                                     | VCKYCZ1CF104ZY | AA         |          | J             | Capacitor 0.1 16V Ceramic       |
| C8352                                     | VCKYCZ1CF104ZY | AA         |          | J             | Capacitor 0.1 16V Ceramic       |
| C8353                                     | VCKYCZ1CF104ZY | AA         |          | J             | Capacitor 0.1 16V Ceramic       |
| C8354                                     | VCKYCZ1CF104ZY | AA         |          | J             | Capacitor 0.1 16V Ceramic       |
| C8355                                     | VCKYCZ1CF104ZY | AA         |          | J             | Capacitor 0.1 16V Ceramic       |
| C8356                                     | VCKYCZ1CF104ZY | AA         |          | J             | Capacitor 0.1 16V Ceramic       |
| C8357                                     | VCKYCZ1CF104ZY | AA         |          | J             | Capacitor 0.1 16V Ceramic       |
| C8358                                     | VCKYCZ1CF104ZY | AA         |          | J             | Capacitor 0.1 16V Ceramic       |
| C8359                                     | VCKYCZ1CF104ZY | AA         |          | J             | Capacitor 0.1 16V Ceramic       |
| C8360                                     | VCKYCZ1CF104ZY | AA         |          | J             | Capacitor 0.1 16V Ceramic       |
| C8361                                     | VCKYCZ1CF104ZY | AA         |          | J             | Capacitor 0.1 16V Ceramic       |
| C8362                                     | VCKYCZ1CF104ZY | AA         |          | J             | Capacitor 0.1 16V Ceramic       |
| C8363                                     | VCKYCZ1CF104ZY | AA         |          | J             | Capacitor 0.1 16V Ceramic       |
| C8364                                     | VCKYCZ1CF104ZY | AA         |          | J             | Capacitor 0.1 16V Ceramic       |
| C8365                                     | VCKYCZ1CF104ZY | AA         |          | J             | Capacitor 0.1 16V Ceramic       |
| C8366                                     | VCKYCZ1CF104ZY | AA         |          | J             | Capacitor 0.1 16V Ceramic       |
| C8367                                     | VCKYCZ1CF104ZY | AA         |          | J             | Capacitor 0.1 16V Ceramic       |
| C8368                                     | VCKYCZ1CF104ZY | AA         |          | J             | Capacitor 0.1 16V Ceramic       |
| C8369                                     | VCKYCZ1CF104ZY | AA         |          | J             | Capacitor 0.1 16V Ceramic       |
| C8370                                     | VCKYCZ1CF104ZY | AA         |          | J             | Capacitor 0.1 16V Ceramic       |
| C8371                                     | VCKYCZ1CF104ZY | AA         |          | J             | Capacitor 0.1 16V Ceramic       |
| C8372                                     | VCKYCZ1CF104ZY | AA         |          | J             | Capacitor 0.1 16V Ceramic       |
| C8373                                     | VCKYCZ1CF104ZY | AA         |          | J             | Capacitor 0.1 16V Ceramic       |
| C8374                                     | VCKYCZ1CF104ZY | AA         |          | J             | Capacitor 0.1 16V Ceramic       |
| C8375                                     | VCKYCZ1CF104ZY | AA         |          | J             | Capacitor 0.1 16V Ceramic       |
| C8376                                     | VCKYCZ1CF104ZY | AA         |          | J             | Capacitor 0.1 16V Ceramic       |
| C8377                                     | VCKYCZ1CF104ZY | AA         |          | J             | Capacitor 0.1 16V Ceramic       |
| C8378                                     | VCKYCZ1CF104ZY | AA         |          | J             | Capacitor 0.1 16V Ceramic       |
| C8379                                     | RC-KZA195WJZZY | AB         |          | J             | Capacitor 10 10V Ceramic        |
| C8380                                     | RC-KZA195WJZZY | AB         |          | J             | Capacitor 10 10V Ceramic        |
| C8381                                     | VCKYCZ1CF104ZY | AA         |          | J             | Capacitor 0.1 16V Ceramic       |
| C8382                                     | VCKYCZ1CF104ZY | AA         |          | J             | Capacitor 0.1 16V Ceramic       |
| C8383                                     | VCKYCZ1CF104ZY | AA         |          | J             | Capacitor 0.1 16V Ceramic       |
| C8384                                     | VCKYCZ1CF104ZY | AA         |          | J             | Capacitor 0.1 16V Ceramic       |
| C8385                                     | VCKYCZ1CF104ZY | AA         |          | J             | Capacitor 0.1 16V Ceramic       |
| C8386                                     | VCKYCZ1CF104ZY | AA         |          | J             | Capacitor 0.1 16V Ceramic       |
| C8387                                     | VCKYCZ1CF104ZY | AA         |          | J             | Capacitor 0.1 16V Ceramic       |
| C8388                                     | VCKYCZ1CF104ZY | AA         |          | J             | Capacitor 0.1 16V Ceramic       |
| C8389                                     | VCKYCZ1CF104ZY | AA         |          | J             | Capacitor 0.1 16V Ceramic       |
| C8390                                     | VCKYCZ1CF104ZY | AA         |          | J             | Capacitor 0.1 16V Ceramic       |
| C8391                                     | VCKYCZ1CF104ZY | AA         |          | J             | Capacitor 0.1 16V Ceramic       |
| C8392                                     | VCKYCZ1CF104ZY | AA         |          | J             | Capacitor 0.1 16V Ceramic       |
| C8393                                     | VCKYCZ1CF104ZY | AA         |          | J             | Capacitor 0.1 16V Ceramic       |
| C8394                                     | VCKYCZ1CF104ZY | AA         |          | J             | Capacitor 0.1 16V Ceramic       |
| C8395                                     | VCKYCZ1CF104ZY | AA         |          | J             | Capacitor 0.1 16V Ceramic       |
| C8397                                     | VCAAPE0JJ107MY | AE         |          | J             | Capacitor 100 6.3V Electrolytic |
| C8702                                     | VCKYCZ1CF104ZY | AA         |          | J             | Capacitor 0.1 16V Ceramic       |
| C8703                                     | VCKYCZ1CF104ZY | AA         |          | J             | Capacitor 0.1 16V Ceramic       |
| C8704                                     | VCCCCZ1HH1R0CY | AB         |          | J             | Capacitor 10p 50V Ceramic       |
| C8705                                     | VCCCCZ1HH1R0CY | AB         |          | J             | Capacitor 10p 50V Ceramic       |
| C8707                                     | VCKYCZ1CF104ZY | AA         |          | J             | Capacitor 0.1 16V Ceramic       |
| C8709                                     | VCKYCZ1CF104ZY | AA         |          | J             | Capacitor 0.1 16V Ceramic       |
| C8715                                     | RC-KZA195WJZZY | AB         |          | J             | Capacitor 10 10V Ceramic        |
| C8717                                     | VCCCCZ1HH680JY | AB         |          | J             | Capacitor 68p 50V Ceramic       |
| C8718                                     | RC-KZA114WJZZY | AB         |          | J             | Capacitor 1 25V Ceramic         |
| C9101                                     | VCKYCZ1CF104ZY | AA         |          | J             | Capacitor 0.1 16V Ceramic       |
| C9104                                     | VCKYCZ1CF104ZY | AA         |          | J             | Capacitor 0.1 16V Ceramic       |
| C9105                                     | VCKYCZ1CF104ZY | AA         |          | J             | Capacitor 0.1 16V Ceramic       |
| C9106                                     | VCKYCZ1CF104ZY | AA         |          | J             | Capacitor 0.1 16V Ceramic       |
| C9107                                     | VCKYCZ1CF104ZY | AA         |          | J             | Capacitor 0.1 16V Ceramic       |
| C9108                                     | VCKYCZ1CF104ZY | AA         |          | J             | Capacitor 0.1 16V Ceramic       |
| C9109                                     | VCKYCZ1CF104ZY | AA         |          | J             | Capacitor 0.1 16V Ceramic       |
| C9110                                     | VCKYCZ1CF104ZY | AA         |          | J             | Capacitor 0.1 16V Ceramic       |
| C9111                                     | VCKYCZ1CF104ZY | AA         |          | J             | Capacitor 0.1 16V Ceramic       |
| C9112                                     | VCKYCZ1CF104ZY | AA         |          | J             | Capacitor 0.1 16V Ceramic       |
| C9113                                     | VCKYCZ1CF104ZY | AA         |          | J             | Capacitor 0.1 16V Ceramic       |
| C9114                                     | VCKYCZ1CF104ZY | AA         |          | J             | Capacitor 0.1 16V Ceramic       |
| C9115                                     | VCKYCZ1HB102KY | AB         |          | J             | Capacitor 1000p 50V Ceramic     |
| C9117                                     | VCKYCZ1CF104ZY | AA         |          | J             | Capacitor 0.1 16V Ceramic       |
| C9301                                     | VCKYCZ1CF104ZY | AA         |          | J             | Capacitor 0.1 16V Ceramic       |
| C9601                                     | VCKYCZ1EB822KY | AA         |          | J             | Capacitor 8200p 25V Ceramic     |
| C9602                                     | VCKYCZ1EB682KY | AB         |          | J             | Capacitor 6800p 25V Ceramic     |
| C9603                                     | VCKYCZ1HB221KY | AA         |          | J             | Capacitor 220p 50V Ceramic      |
| C9604                                     | VCKYCZ1CF104ZY | AA         |          | J             | Capacitor 0.1 16V Ceramic       |
| C9605                                     | VCKYCZ1EB822KY | AA         |          | J             | Capacitor 8200p 25V Ceramic     |
| C9606                                     | VCKYCZ1EB103KY | AA         |          | J             | Capacitor 0.01 25V Ceramic      |
| C9607                                     | VCKYCZ1CB153KY | AB         |          | J             | Capacitor 0.015 16V Ceramic     |
| C9608                                     | VCKYCZ1CF104ZY | AA         |          | J             | Capacitor 0.1 16V Ceramic       |
| C9609                                     | VCKYCZ1HB332KY | AA         |          | J             | Capacitor 3300p 50V Ceramic     |
| C9610                                     | VCCCCZ1HH101JY | AB         |          | J             | Capacitor 100p 50V Ceramic      |
| C9611                                     | RC-KZA114WJZZY | AB         |          | J             | Capacitor 1 25V Ceramic         |
| C9612                                     | VCKYCZ1HB332KY | AA         |          | J             | Capacitor 3300p 50V Ceramic     |

LC-42XL2E/S/RU, LC-46XL2E/S/RU, LC-46X20E/S/RU, LC-52XL2E/S/RU, LC-52X20E/S/RU

| NO.                                       | PARTS CODE     | PRICE RANK | NEW MARK | PART DELIVERY | DESCRIPTION                     |
|---|----------------|------------|----------|---------------|---------------------------------|
| <b>[3] DUNTKE186FM01/FM02 (MAIN Unit)</b> |                |            |          |               |                                 |
| C9613                                     | VCKYCZ1EB682KY | AB         |          | J             | Capacitor 6800p 25V Ceramic     |
| C9614                                     | VCCCZ1HH101JY  | AB         |          | J             | Capacitor 100p 50V Ceramic      |
| C9615                                     | VCKYCZ1CF104ZY | AA         |          | J             | Capacitor 0.1 16V Ceramic       |
| C9616                                     | VCKYCZ1HB472KY | AA         |          | J             | Capacitor 4700p 50V Ceramic     |
| C9617                                     | RC-KZA383WJZZY | AC         |          | J             | Capacitor 10 25V Ceramic        |
| C9618                                     | VCAAPD1DJ476MY | AF         |          | J             | Capacitor 47 20V Electrolytic   |
| C9619                                     | RC-KZA383WJZZY | AC         |          | J             | Capacitor 10 25V Ceramic        |
| C9620                                     | RC-KZA383WJZZY | AC         |          | J             | Capacitor 10 25V Ceramic        |
| C9621                                     | RC-KZA195WJZZY | AB         |          | J             | Capacitor 10 10V Ceramic        |
| C9622                                     | VCKYCZ1CF104ZY | AA         |          | J             | Capacitor 0.1 16V Ceramic       |
| C9623                                     | RC-KZA195WJZZY | AB         |          | J             | Capacitor 10 10V Ceramic        |
| C9624                                     | RC-KZA195WJZZY | AB         |          | J             | Capacitor 10 10V Ceramic        |
| C9625                                     | RC-KZA114WJZZY | AB         |          | J             | Capacitor 1 25V Ceramic         |
| C9626                                     | VCCCZ1HH101JY  | AB         |          | J             | Capacitor 100p 50V Ceramic      |
| C9627                                     | RC-KZA383WJZZY | AC         |          | J             | Capacitor 10 25V Ceramic        |
| C9629                                     | RC-KZA195WJZZY | AB         |          | J             | Capacitor 10 10V Ceramic        |
| C9630                                     | RC-KZA383WJZZY | AC         |          | J             | Capacitor 10 25V Ceramic        |
| C9631                                     | VCKYCZ1HB222KY | AB         |          | J             | Capacitor 2200p 50V Ceramic     |
| C9633                                     | VCKYCZ1HB222KY | AB         |          | J             | Capacitor 2200p 50V Ceramic     |
| C9634                                     | RC-KZA195WJZZY | AB         |          | J             | Capacitor 10 10V Ceramic        |
| C9636                                     | RC-KZA195WJZZY | AB         |          | J             | Capacitor 10 10V Ceramic        |
| C9638                                     | RC-KZA195WJZZY | AB         |          | J             | Capacitor 10 10V Ceramic        |
| C9640                                     | VCKYCZ1HB332KY | AA         |          | J             | Capacitor 3300p 50V Ceramic     |
| C9641                                     | VCKYCZ1EB822KY | AA         |          | J             | Capacitor 8200p 25V Ceramic     |
| C9642                                     | RC-KZA195WJZZY | AB         |          | J             | Capacitor 10 10V Ceramic        |
| C9643                                     | VCKYCZ1EB682KY | AB         |          | J             | Capacitor 6800p 25V Ceramic     |
| C9644                                     | RC-KZA195WJZZY | AB         |          | J             | Capacitor 10 10V Ceramic        |
| C9647                                     | RC-KZA195WJZZY | AB         |          | J             | Capacitor 10 10V Ceramic        |
| C9648                                     | VCKYCZ1HB221KY | AA         |          | J             | Capacitor 220p 50V Ceramic      |
| C9649                                     | RC-KZA195WJZZY | AB         |          | J             | Capacitor 10 10V Ceramic        |
| C9650                                     | VCKYCZ1CF104ZY | AA         |          | J             | Capacitor 0.1 16V Ceramic       |
| C9651                                     | VCKYCZ1EB682KY | AB         |          | J             | Capacitor 6800p 25V Ceramic     |
| C9652                                     | VCCCZ1HH101JY  | AB         |          | J             | Capacitor 100p 50V Ceramic      |
| C9653                                     | VCKYCZ1EB822KY | AA         |          | J             | Capacitor 8200p 25V Ceramic     |
| C9654                                     | VCKYCZ1CF104ZY | AA         |          | J             | Capacitor 0.1 16V Ceramic       |
| C9655                                     | VCKYCZ1EB103KY | AA         |          | J             | Capacitor 0.01 25V Ceramic      |
| C9656                                     | VCKYCZ1CF104ZY | AA         |          | J             | Capacitor 0.1 16V Ceramic       |
| C9657                                     | RC-KZA114WJZZY | AB         |          | J             | Capacitor 1 25V Ceramic         |
| C9658                                     | VCCCZ1HH101JY  | AB         |          | J             | Capacitor 100p 50V Ceramic      |
| C9659                                     | VCCCZ1HH101JY  | AB         |          | J             | Capacitor 100p 50V Ceramic      |
| C9660                                     | VCKYCZ1CF104ZY | AA         |          | J             | Capacitor 0.1 16V Ceramic       |
| C9661                                     | RC-KZA383WJZZY | AC         |          | J             | Capacitor 10 25V Ceramic        |
| C9662                                     | VCAAPD1DJ476MY | AF         |          | J             | Capacitor 47 20V Electrolytic   |
| C9663                                     | RC-KZA383WJZZY | AC         |          | J             | Capacitor 10 25V Ceramic        |
| C9664                                     | RC-KZA114WJZZY | AB         |          | J             | Capacitor 1 25V Ceramic         |
| C9665                                     | RC-KZA383WJZZY | AC         |          | J             | Capacitor 10 25V Ceramic        |
| C9666                                     | VCKYCZ1HB222KY | AB         |          | J             | Capacitor 2200p 50V Ceramic     |
| C9668                                     | RC-KZA383WJZZY | AC         |          | J             | Capacitor 10 25V Ceramic        |
| C9669                                     | VCKYCZ1HB222KY | AB         |          | J             | Capacitor 2200p 50V Ceramic     |
| C9671                                     | VCAAPE0JJ227MY | AE         |          | J             | Capacitor 220 6.3V Electrolytic |
| C9672                                     | VCAAPE0JJ227MY | AE         |          | J             | Capacitor 220 6.3V Electrolytic |
| C9673                                     | VCAAPE0JJ227MY | AE         |          | J             | Capacitor 220 6.3V Electrolytic |
| C9674                                     | VCAAPE0JJ107MY | AE         |          | J             | Capacitor 100 6.3V Electrolytic |
| C9675                                     | VCAAPE0JJ227MY | AE         |          | J             | Capacitor 220 6.3V Electrolytic |
| D1101                                     | VHD1SS355/-1Y  | AB         |          | J             | Diode 1SS355TE-17               |
| D1102                                     | VHD1SS355/-1Y  | AB         |          | J             | Diode 1SS355TE-17               |
| D1502                                     | VHDDAN222/-1Y  | AA         |          | J             | Diode DAN222TL                  |
| D1503                                     | VHDDAN222/-1Y  | AA         |          | J             | Diode DAN222TL                  |
| D1504                                     | RH-EXA523WJZZY | AB         | N        | R             | Zener Diode MAZ8056GML          |
| D1506                                     | RH-EXA523WJZZY | AB         | N        | R             | Zener Diode MAZ8056GML          |
| D1507                                     | RH-EXA523WJZZY | AB         | N        | R             | Zener Diode MAZ8056GML          |
| D1508                                     | RH-EXA523WJZZY | AB         | N        | R             | Zener Diode MAZ8056GML          |
| D1509                                     | VHDB520S30-1Y  | AC         |          | J             | Diode RB520S-30TE61             |
| D1512                                     | VHDDAN222/-1Y  | AA         |          | J             | Diode DAN222TL                  |
| D1513                                     | VHD1SS355/-1Y  | AB         |          | J             | Diode 1SS355TE-17               |
| D1515                                     | VHD1SS355/-1Y  | AB         |          | J             | Diode 1SS355TE-17               |
| D1519                                     | RH-EX0259TAZZY | AB         |          | J             | Zener Diode PDZ5.6B,115         |
| D1802                                     | VHD1SS355/-1Y  | AB         |          | J             | Diode 1SS355TE-17               |
| D2003                                     | RH-PXA037WJZZY | AB         |          | J             | Diode SML-310MTT86              |
| D2401                                     | VHDMA3120WA-1Y | AD         |          | J             | Diode MAZ3120D0L                |
| D2402                                     | VHDMA3120WA-1Y | AD         |          | J             | Diode MAZ3120D0L                |
| D2403                                     | RH-EX0259TAZZY | AB         |          | J             | Zener Diode PDZ5.6B,115         |
| D2404                                     | VHD1PS184+-1Y  | AB         |          | J             | Diode 1PS184,115                |
| D2405                                     | VHD1PS184+-1Y  | AB         |          | J             | Diode 1PS184,115                |
| D3301                                     | VHDDAN217U+-1Y | AB         |          | J             | Diode DAN217UT106               |
| D3302                                     | VHDDAN217U+-1Y | AB         |          | J             | Diode DAN217UT106               |
| D3303                                     | VHDDAN217U+-1Y | AB         |          | J             | Diode DAN217UT106               |
| D8101                                     | RH-PXA037WJZZY | AB         |          | J             | Diode SML-310MTT86              |
| D8102                                     | RH-PXA037WJZZY | AB         |          | J             | Diode SML-310MTT86              |
| D8103                                     | RH-EXA523WJZZY | AB         | N        | R             | Zener Diode MAZ8056GML          |
| D8104                                     | RH-EXA523WJZZY | AB         | N        | R             | Zener Diode MAZ8056GML          |
| D9601                                     | VHDDAN217U+-1Y | AB         |          | J             | Diode DAN217UT106               |
| D9602                                     | VHD1SS355/-1Y  | AB         |          | J             | Diode 1SS355TE-17               |
| D9604                                     | VHDD1FH3+-1Y   | AD         |          | J             | Diode D1FH3                     |
| D9605                                     | VHD1SS355/-1Y  | AB         |          | J             | Diode 1SS355TE-17               |



LC-42XL2E/S/RU, LC-46XL2E/S/RU, LC-46X20E/S/RU, LC-52XL2E/S/RU, LC-52X20E/S/RU

| NO.                                       | PARTS CODE       | PRICE RANK | NEW MARK | PART DELIVERY | DESCRIPTION                 |
|---|------------------|------------|----------|---------------|-----------------------------|
| <b>[3] DUNTKE186FM01/FM02 (MAIN Unit)</b> |                  |            |          |               |                             |
| D9606                                     | RH-EX1395CEZZY   | AC         |          | J             | Zener Diode UDZSNPTE-176.2B |
| D9607                                     | VHD1SS355//--1Y  | AB         |          | J             | Diode 1SS355TE-17           |
| D9608                                     | VHD1SS355//--1Y  | AB         |          | J             | Diode 1SS355TE-17           |
| D9609                                     | RH-EX1227CEZZY   | AB         |          | J             | Zener Diode HZU2.7B1TRF-E   |
| D9610                                     | VHDDAN217U+-1Y   | AB         |          | J             | Diode DAN217UT106           |
| D9611                                     | VHD1SS355//--1Y  | AB         |          | J             | Diode 1SS355TE-17           |
| D9612                                     | RH-EXA089WJZZY   | AB         |          | J             | Zener Diode UDZSNPTE-174.3B |
| FB1101                                    | RBLN-A204WJZZY   | AA         |          | J             | Balun BLN-A204WJ            |
| FB1102                                    | RBLN-A204WJZZY   | AA         |          | J             | Balun BLN-A204WJ            |
| FB1103                                    | RBLN-A204WJZZY   | AA         |          | J             | Balun BLN-A204WJ            |
| FB1104                                    | RBLN-A204WJZZY   | AA         |          | J             | Balun BLN-A204WJ            |
| FB1105                                    | RBLN-A204WJZZY   | AA         |          | J             | Balun BLN-A204WJ            |
| FB1501                                    | RBLN-0061TAZZY   | AD         |          | J             | Balun BLN-0061TA            |
| FB1502                                    | RBLN-0061TAZZY   | AD         |          | J             | Balun BLN-0061TA            |
| FB1503                                    | RBLN-0061TAZZY   | AD         |          | J             | Balun BLN-0061TA            |
| FB1504                                    | RBLN-0061TAZZY   | AD         |          | J             | Balun BLN-0061TA            |
| FB1505                                    | RBLN-0077TAZZY   | AB         |          | J             | Balun BLN-0077TA            |
| FB1506                                    | RBLN-0077TAZZY   | AB         |          | J             | Balun BLN-0077TA            |
| FB1507                                    | RBLN-0077TAZZY   | AB         |          | J             | Balun BLN-0077TA            |
| FB1508                                    | RBLN-0077TAZZY   | AB         |          | J             | Balun BLN-0077TA            |
| FB1509                                    | RBLN-A274WJZZY   | AB         |          | J             | Balun BLN-A274WJ            |
| FB1510                                    | RBLN-A274WJZZY   | AB         |          | J             | Balun BLN-A274WJ            |
| FB1515                                    | RBLN-A274WJZZY   | AB         |          | J             | Balun BLN-A274WJ            |
| FB2001                                    | RBLN-0061TAZZY   | AD         |          | J             | Balun BLN-0061TA            |
| FB2002                                    | RBLN-A188WJZZY   | AA         |          | J             | Balun BLN-A188WJ            |
| FB2003                                    | RBLN-0061TAZZY   | AD         |          | J             | Balun BLN-0061TA            |
| FB2004                                    | RBLN-0061TAZZY   | AD         |          | J             | Balun BLN-0061TA            |
| FB2005                                    | RBLN-0061TAZZY   | AD         |          | J             | Balun BLN-0061TA            |
| FB2006                                    | RBLN-A188WJZZY   | AA         |          | J             | Balun BLN-A188WJ            |
| FB2007                                    | RBLN-0061TAZZY   | AD         |          | J             | Balun BLN-0061TA            |
| FB2008                                    | RBLN-0061TAZZY   | AD         |          | J             | Balun BLN-0061TA            |
| FB2009                                    | RBLN-0061TAZZY   | AD         |          | J             | Balun BLN-0061TA            |
| FB2010                                    | RBLN-0061TAZZY   | AD         |          | J             | Balun BLN-0061TA            |
| FB2011                                    | RBLN-0061TAZZY   | AD         |          | J             | Balun BLN-0061TA            |
| FB2402                                    | RBLN-0061TAZZY   | AD         |          | J             | Balun BLN-0061TA            |
| FB2403                                    | RBLN-0061TAZZY   | AD         |          | J             | Balun BLN-0061TA            |
| FB2404                                    | RBLN-0061TAZZY   | AD         |          | J             | Balun BLN-0061TA            |
| FB3303                                    | RBLN-A021WJZZY   | AA         |          | J             | Balun BLN-A021WJ            |
| FB3304                                    | RBLN-A021WJZZY   | AA         |          | J             | Balun BLN-A021WJ            |
| FB3305                                    | RBLN-A021WJZZY   | AA         |          | J             | Balun BLN-A021WJ            |
| FB3306                                    | RBLN-A021WJZZY   | AA         |          | J             | Balun BLN-A021WJ            |
| FB3307                                    | RBLN-A274WJZZY   | AB         |          | J             | Balun BLN-A274WJ            |
| FB3308                                    | RBLN-A274WJZZY   | AB         |          | J             | Balun BLN-A274WJ            |
| FB3309                                    | RBLN-A274WJZZY   | AB         |          | J             | Balun BLN-A274WJ            |
| FB3310                                    | RBLN-A274WJZZY   | AB         |          | J             | Balun BLN-A274WJ            |
| FB3311                                    | RBLN-A274WJZZY   | AB         |          | J             | Balun BLN-A274WJ            |
| FB3312                                    | RBLN-A021WJZZY   | AA         |          | J             | Balun BLN-A021WJ            |
| FB3313                                    | RBLN-A274WJZZY   | AB         |          | J             | Balun BLN-A274WJ            |
| FB3314                                    | RBLN-A274WJZZY   | AB         |          | J             | Balun BLN-A274WJ            |
| FB3315                                    | RBLN-A274WJZZY   | AB         |          | J             | Balun BLN-A274WJ            |
| FB3501                                    | RBLN-A274WJZZY   | AB         |          | J             | Balun BLN-A274WJ            |
| FB4402                                    | RBLN-0210TAZZY   | AB         |          | J             | Balun BLN-0210TA            |
| FB8101                                    | RBLN-A188WJZZY   | AA         |          | J             | Balun BLN-A188WJ            |
| FB8102                                    | RBLN-A188WJZZY   | AA         |          | J             | Balun BLN-A188WJ            |
| FB8103                                    | RBLN-A188WJZZY   | AA         |          | J             | Balun BLN-A188WJ            |
| FB8104                                    | RBLN-A188WJZZY   | AA         |          | J             | Balun BLN-A188WJ            |
| FB8105                                    | RBLN-A188WJZZY   | AA         |          | J             | Balun BLN-A188WJ            |
| FB8106                                    | RBLN-A188WJZZY   | AA         |          | J             | Balun BLN-A188WJ            |
| FB8107                                    | RBLN-A188WJZZY   | AA         |          | J             | Balun BLN-A188WJ            |
| FB8108                                    | RBLN-A188WJZZY   | AA         |          | J             | Balun BLN-A188WJ            |
| FB8109                                    | RBLN-A188WJZZY   | AA         |          | J             | Balun BLN-A188WJ            |
| FB8110                                    | RBLN-A188WJZZY   | AA         |          | J             | Balun BLN-A188WJ            |
| FB8111                                    | RBLN-A188WJZZY   | AA         |          | J             | Balun BLN-A188WJ            |
| FB8112                                    | RBLN-A188WJZZY   | AA         |          | J             | Balun BLN-A188WJ            |
| FB8113                                    | RBLN-A188WJZZY   | AA         |          | J             | Balun BLN-A188WJ            |
| FB8114                                    | RBLN-A188WJZZY   | AA         |          | J             | Balun BLN-A188WJ            |
| FB8115                                    | RBLN-A188WJZZY   | AA         |          | J             | Balun BLN-A188WJ            |
| FB8116                                    | RBLN-A188WJZZY   | AA         |          | J             | Balun BLN-A188WJ            |
| FB8117                                    | RBLN-A188WJZZY   | AA         |          | J             | Balun BLN-A188WJ            |
| FB8118                                    | RBLN-A188WJZZY   | AA         |          | J             | Balun BLN-A188WJ            |
| FB8119                                    | RBLN-A188WJZZY   | AA         |          | J             | Balun BLN-A188WJ            |
| FB8120                                    | RBLN-A188WJZZY   | AA         |          | J             | Balun BLN-A188WJ            |
| FB8121                                    | RBLN-A188WJZZY   | AA         |          | J             | Balun BLN-A188WJ            |
| FB8701                                    | RBLN-A274WJZZY   | AB         |          | J             | Balun BLN-A274WJ            |
| FB9603                                    | RBLN-0207TAZZY   | AB         |          | J             | Balun BLN-0207TA            |
| FL1501                                    | RF iLN0003TAZZY  | AD         |          | J             | Filter                      |
| FL1502                                    | RF iLN0003TAZZY  | AD         |          | J             | Filter                      |
| FL1503                                    | RF iLN0003TAZZY  | AD         |          | J             | Filter                      |
| FL2001                                    | RF iLZA023WJQZY  | AD         |          | J             | Filter                      |
| IC1501                                    | RH- iXC285WJQZS  |            |          | J             | IC IC HDMI EXT5             |
| IC1502                                    | RH- iXC286WJQZS  |            |          | J             | IC IC HDMI EXT6             |
| IC1503                                    | RH- iXC287WJQZS  |            |          | J             | IC IC RGB (PC) EXT7         |
| IC1504                                    | VH iNJM2750M-1Y  | AH         |          | J             | IC NJM2750M(TE2)            |
| IC1506                                    | VH iTC7W08U/-1Y  | AD         |          | J             | IC TC7W08FU(TE12L,F)        |
| IC1507                                    | VH iSi i9185+-1Q | AP         | N        | J             | IC SiI9185CTU               |

LC-42XL2E/S/RU, LC-46XL2E/S/RU, LC-46X20E/S/RU, LC-52XL2E/S/RU, LC-52X20E/S/RU

| NO.                                       | PARTS CODE        | PRICE RANK | NEW MARK | PART DELIVERY | DESCRIPTION              |
|---|-------------------|------------|----------|---------------|--------------------------|
| <b>[3] DUNTKE186FM01/FM02 (MAIN Unit)</b> |                   |            |          |               |                          |
| IC1805                                    | VH i BH33FB1G-1Y  | AD         |          | J             | IC BH33FB1WG-TR          |
| IC2001                                    | VH i BD5224G+-1Y  | AD         |          | J             | IC BD5224G-TR            |
| IC2002                                    | RH- i XB986WJN8Q  | AW         | N        | J             | IC IC MONITOR MICON      |
| IC2004                                    | VH i BR24L08F-1Y  | AE         |          | J             | IC BR24L08F-WE2          |
| IC2006                                    | VH i TCVHC32T-1Y  | AE         |          | J             | IC TC74VHC32FT(EL)       |
| IC2008                                    | VH i 7WH126FU-1Y  | AE         |          | J             | IC TC7WH126FU(TE12L,F)   |
| IC2009                                    | VH i LCX125FT-1Y  | AD         |          | J             | IC TC74LCX125FT(EL,K)    |
| IC2010                                    | VH i TC7W00U/-1Y  | AE         |          | J             | IC TC7W00FU(TE12L,F)     |
| IC2011                                    | VH i TC7W08U/-1Y  | AD         |          | J             | IC TC7W08FU(TE12L,F)     |
| IC2401                                    | VH i 7WH126FU-1Y  | AE         |          | J             | IC TC7WH126FU(TE12L,F)   |
| IC2402                                    | VH i LCX157FT-1Y  | AD         |          | J             | IC TC74LCX157FT(EKJ)     |
| IC2403                                    | VH i i SL83220-1Y | AQ         |          | J             | IC ISL83220ECVZ-T        |
| IC2601                                    | VH i TC7W66U/-1Y  | AE         |          | J             | IC TC7W66FU(TE12L,F)     |
| IC2602                                    | VH i M62332FP-1Y  | AL         |          | J             | IC M62332FPCF5J          |
| IC3301                                    | RH- i XC010WJQZQ  | BU         | N        | R             | IC SVP-WX68(7568W-LF)    |
| IC3501                                    | RH- i XC163WJQZQ  | AZ         | N        | R             | IC K4D263238-VC40        |
| IC3502                                    | RH- i XC163WJQZQ  | AZ         | N        | R             | IC K4D263238-VC40        |
| IC4401                                    | VH i LCX245FT-1Y  | AD         |          | J             | IC TC74LCX245FT(EKJ)     |
| IC4402                                    | VH i LCX573FT-1Y  | AF         |          | J             | IC TC74LCX573FT(EKJ)     |
| IC4403                                    | VH i TC7SH08U-1Y  | AF         |          | J             | IC TC7SH08FU(TE85L,JF)   |
| IC4404                                    | VH i LCX244FT-1Y  | AE         |          | J             | IC TC74LCX244FT(EL,K)    |
| IC4405                                    | VH i LCX573FT-1Y  | AF         |          | J             | IC TC74LCX573FT(EKJ)     |
| IC4406                                    | VH i AHC1G32W-1Y  | AD         |          | J             | IC 74AHC1G32GW,125       |
| IC4408                                    | VH i AHC1G02W-1Y  | AD         |          | J             | IC 74AHC1G02GW,125       |
| IC8101                                    | RH- i XC011WJQZQ  | BU         | N        | R             | IC HiDTVPro-LX66(8166LF) |
| IC8301                                    | RH- i XC154WJQZQ  | AZ         | N        | R             | IC K4N56163QI-ZC2A       |
| IC8302                                    | RH- i XC154WJQZQ  | AZ         | N        | R             | IC K4N56163QI-ZC2A       |
| IC8303                                    | RH- i XC154WJQZQ  | AZ         | N        | R             | IC K4N56163QI-ZC2A       |
| IC8304                                    | RH- i XC154WJQZQ  | AZ         | N        | R             | IC K4N56163QI-ZC2A       |
| IC8701                                    | VH i S29GL128-1Q  | AZ         |          | J             | IC S29GL128N90TFIR20H    |
| IC8702                                    | RH- i XC150WJQZY  | AQ         | N        | R             | IC ICS475GI-14LFT        |
| IC8704                                    | VH i S24CS64A-1Y  | AF         |          | R             | IC S-24CS64AOI-J8T1G     |
| IC9101                                    | RH- i XC121WJQZQ  | AX         | N        | R             | IC XC95288XL-10TQG144C   |
| IC9104                                    | VH i TCLCX08FT1Y  | AD         |          | J             | IC TC74LCX08FT(EL,K)     |
| IC9105                                    | VH i 74VHC541-1Y  | AE         |          | J             | IC TC74VHC541FT(EKJ)     |
| IC9106                                    | VH i 74VHC04T-1Y  | AD         | N        | R             | IC TC74VHC04FT(EL,K)     |
| IC9301                                    | VH i LTC1694C-1Y  | AM         |          | J             | IC LTC1694CS5#TRPBF      |
| IC9601                                    | VH i TPS40055-1Y  | AN         |          | J             | IC TPS40055PWPR          |
| IC9602                                    | VH i MP2367DN-1Y  | AH         |          | J             | IC MP2367DN-LF-Z         |
| IC9603                                    | VH i TPS40055-1Y  | AN         |          | J             | IC TPS40055PWPR          |
| IC9604                                    | VH i TPS40055-1Y  | AN         |          | J             | IC TPS40055PWPR          |
| IC9605                                    | VH i PQ025ENA-1Y  | AE         |          | J             | IC PQ025ENA1ZPH          |
| IC9606                                    | VH i TPS40055-1Y  | AN         |          | J             | IC TPS40055PWPR          |
| J1501                                     | QJAKEA073WJZZ     | AD         |          | J             | Jack HDMI Input          |
| J1502                                     | QJAKEA073WJZZ     | AD         |          | J             | Jack HDMI Input          |
| L1103                                     | VPSBN100J1R2NY    | AB         |          | R             | Coil Peaking 10μH        |
| L1104                                     | VPCNN120J1R9NY    | AB         |          | J             | Coil Peaking 12μH        |
| L1105                                     | VPCNN120J1R9NY    | AB         |          | J             | Coil Peaking 12μH        |
| L1106                                     | VPCNN120J1R9NY    | AB         |          | J             | Coil Peaking 12μH        |
| L1506                                     | RC i LFA116WJZZY  | AE         |          | J             | Coil                     |
| L1507                                     | RC i LFA116WJZZY  | AE         |          | J             | Coil                     |
| L1508                                     | RC i LFA116WJZZY  | AE         |          | J             | Coil                     |
| L1509                                     | RC i LFA116WJZZY  | AE         |          | J             | Coil                     |
| L1510                                     | RC i LFA116WJZZY  | AE         |          | J             | Coil                     |
| L1511                                     | RC i LFA116WJZZY  | AE         |          | J             | Coil                     |
| L1512                                     | RC i LFA116WJZZY  | AE         |          | J             | Coil                     |
| L1513                                     | RC i LFA116WJZZY  | AE         |          | J             | Coil                     |
| L2601                                     | RC i LFA154WJZZY  | AC         |          | J             | Coil                     |
| L2602                                     | RC i LFA154WJZZY  | AC         |          | J             | Coil                     |
| L2603                                     | RC i LFA154WJZZY  | AC         |          | J             | Coil                     |
| L2604                                     | RC i LFA154WJZZY  | AC         |          | J             | Coil                     |
| L2605                                     | RC i LFA154WJZZY  | AC         |          | J             | Coil                     |
| L2606                                     | RC i LFA154WJZZY  | AC         |          | J             | Coil                     |
| L2607                                     | RC i LFA154WJZZY  | AC         |          | J             | Coil                     |
| L2608                                     | RC i LFA154WJZZY  | AC         |          | J             | Coil                     |
| L2609                                     | RC i LFA154WJZZY  | AC         |          | J             | Coil                     |
| L2610                                     | RC i LFA154WJZZY  | AC         |          | J             | Coil                     |
| L2611                                     | RC i LFA154WJZZY  | AC         |          | J             | Coil                     |
| L2612                                     | RC i LFA154WJZZY  | AC         |          | J             | Coil                     |
| L3301                                     | VPCWM2R2MR10NY    | AC         |          | R             | Coil Peaking 2.2μH       |
| L3302                                     | VPCWM2R2MR10NY    | AC         |          | R             | Coil Peaking 2.2μH       |
| L3303                                     | VPCWM2R2MR10NY    | AC         |          | R             | Coil Peaking 2.2μH       |
| L3304                                     | VPCWM2R2MR10NY    | AC         |          | R             | Coil Peaking 2.2μH       |
| L3305                                     | VPCWM2R2MR10NY    | AC         |          | R             | Coil Peaking 2.2μH       |
| L3306                                     | VPCWM2R2MR10NY    | AC         |          | R             | Coil Peaking 2.2μH       |
| L9601                                     | RC i LPA086WJZZY  | AE         |          | J             | Coil                     |
| L9602                                     | RC i LPA084WJZZY  | AE         |          | J             | Coil                     |
| L9603                                     | RC i LPA084WJZZY  | AE         |          | J             | Coil                     |
| L9604                                     | RC i LPA084WJZZY  | AE         |          | J             | Coil                     |
| L9605                                     | RC i LPA086WJZZY  | AE         |          | J             | Coil                     |
| L9606                                     | RC i LPA765WJQZY  | AE         | N        | R             | Coil                     |
| LUG1010                                   | QEARBA014WJFN     | AE         |          | R             | Lug                      |
| LUG1101                                   | QLUGHA006WJZZY    | AC         |          | J             | Lug                      |
| LUG1102                                   | QLUGHA006WJZZY    | AC         |          | J             | Lug                      |
| LUG1103                                   | QLUGHA006WJZZY    | AC         |          | J             | Lug                      |

LC-42XL2E/S/RU, LC-46XL2E/S/RU, LC-46X20E/S/RU, LC-52XL2E/S/RU, LC-52X20E/S/RU

| NO.                                       | PARTS CODE      | PRICE RANK | NEW MARK | PART DELIVERY | DESCRIPTION  |
|---|-----------------|------------|----------|---------------|--|
| <b>[3] DUNTKE186FM01/FM02 (MAIN Unit)</b> |                 |            |          |               |  |
| LUG1104                                   | QLUGHA006WJZZY  | AC         |          | J             | Lug  |
| LUG1105                                   | QLUGHA006WJZZY  | AC         |          | J             | Lug  |
| P1101                                     | QPLGNA348WJZZY  | AE         |          | J             | Plug 14Pin(US)   |
| P1102                                     | QPLGNA337WJZZY  | AC         |          | J             | Plug 3Pin(U2)  |
| P1103                                     | QPLGNA342WJZZY  | AD         |          | J             | Plug 8Pin(FE)  |
| P2002                                     | QPLGNA338WJZZY  | AD         |          | J             | Plug 4Pin(KM)  |
| P2003                                     | QPLGNA349WJZZY  | AE         |          | J             | Plug 15Pin(RA)   |
| P2401                                     | QPLGNA144WJZZY  | AF         |          | J             | Plug 20Pin   |
| P2601                                     | QCNCWA507WJQZY  | AM         |          | J             | Connector 41Pin(LW)                                    |
| P2602                                     | QPLGNA331WJZZY  | AD         |          | J             | Plug 11Pin(LP)   |
| P2603                                     | QPLGNA343WJZZY  | AD         |          | J             | Plug 9Pin(LB)  |
| P9101                                     | QPLGN0056CEZZY  | AD         |          | J             | Plug 6Pin(Program Port)                                |
| P9601                                     | QPLGNA168WJZZY  | AF         |          | J             | Plug 12Pin(PD)   |
| Q1104                                     | VS2SC3928AR-1Y  | AA         |          | J             | Transistor 2SC3928A-T112-1R                            |
| Q1105                                     | VS2SC3928AR-1Y  | AA         |          | J             | Transistor 2SC3928A-T112-1R                            |
| Q1106                                     | VS2SC3928AR-1Y  | AA         |          | J             | Transistor 2SC3928A-T112-1R                            |
| Q1115                                     | VS2SC3928AR-1Y  | AA         |          | J             | Transistor 2SC3928A-T112-1R                            |
| Q1116                                     | VS2SC3928AR-1Y  | AA         |          | J             | Transistor 2SC3928A-T112-1R                            |
| Q1117                                     | VS2SC3928AR-1Y  | AA         |          | J             | Transistor 2SC3928A-T112-1R                            |
| Q1118                                     | VSDTC144EE/-1Y  | AA         |          | J             | Transistor DTC144EETL                                  |
| Q1119                                     | VSDTC144EE/-1Y  | AA         |          | J             | Transistor DTC144EETL                                  |
| Q1120                                     | VSDTC144EE/-1Y  | AA         |          | J             | Transistor DTC144EETL                                  |
| Q1122                                     | VSDTC144EE/-1Y  | AA         |          | J             | Transistor DTC144EETL                                  |
| Q1501                                     | VSIMD2A///-1Y   | AC         |          | J             | Transistor IMD2AT108                                   |
| Q1509                                     | VSKTA1535T+-1Y  | AC         |          | J             | Transistor KTA1535T-RTK/P                              |
| Q1510                                     | VSRT1N141U/-1Y  | AB         |          | J             | Transistor RT1N141U-T111-1                             |
| Q1516                                     | VSIMD2A///-1Y   | AC         |          | J             | Transistor IMD2AT108                                   |
| Q1802                                     | VSDTC144EE/-1Y  | AA         |          | J             | Transistor DTC144EETL                                  |
| Q1803                                     | VSDTA124EKA-1Y  | AB         |          | J             | Transistor DTA124EKAT146                               |
| Q1808                                     | VSRT1N144U/-1Y  | AB         |          | J             | Transistor RT1N144U-T111-1                             |
| Q1809                                     | VS2SA1530AR-1Y  | AB         |          | J             | Transistor 2SA1530A-T112-1R                            |
| Q2002                                     | VS RN4901///-1Y | AC         | N        | R             | Transistor RN4901(TE85L,F) (LC-42/46/52XL2E/S/RU only) |
| Q2004                                     | VS RN1102///-1Y | AB         |          | J             | Transistor RN1102(TE85L,F)                             |
| Q2601                                     | VSUM6K1NTN+-1Y  | AC         |          | J             | Transistor UM6K1N TN                                   |
| Q4401                                     | RH-TXA026WJZZY  | AD         |          | J             | Transistor PBL52001D,115                               |
| Q8703                                     | VS2SC3928AR-1Y  | AA         |          | J             | Transistor 2SC3928A-T112-1R                            |
| Q9101                                     | VSDTC144EE/-1Y  | AA         |          | J             | Transistor DTC144EETL                                  |
| Q9102                                     | VSDTC144EE/-1Y  | AA         |          | J             | Transistor DTC144EETL                                  |
| Q9601                                     | VS2SC3928AR-1Y  | AA         |          | J             | Transistor 2SC3928A-T112-1R                            |
| Q9603                                     | VSRT1N144U/-1Y  | AB         |          | J             | Transistor RT1N144U-T111-1                             |
| Q9604                                     | VS2SC3928AR-1Y  | AA         |          | J             | Transistor 2SC3928A-T112-1R                            |
| Q9605                                     | VS2SC3928AR-1Y  | AA         |          | J             | Transistor 2SC3928A-T112-1R                            |
| Q9606                                     | VSSP8K4++++-1Y  | AF         |          | J             | Transistor SP8K4TB                                     |
| Q9607                                     | VSSP8K4++++-1Y  | AF         |          | J             | Transistor SP8K4TB                                     |
| Q9608                                     | VS2SC3928AR-1Y  | AA         |          | J             | Transistor 2SC3928A-T112-1R                            |
| Q9609                                     | VSSP8K4++++-1Y  | AF         |          | J             | Transistor SP8K4TB                                     |
| Q9610                                     | VSSP8K4++++-1Y  | AF         |          | J             | Transistor SP8K4TB                                     |
| R1101                                     | VRS-CZ1JF470JY  | AA         |          | J             | Resistor 47 1/16W Metal Oxide                          |
| R1103                                     | VRS-CZ1JF000JY  | AA         |          | J             | Resistor 0 1/16W Metal Oxide                           |
| R1104                                     | VRS-CZ1JF000JY  | AA         |          | J             | Resistor 0 1/16W Metal Oxide                           |
| R1105                                     | VRS-CZ1JF750JY  | AA         |          | J             | Resistor 75 1/16W Metal Oxide                          |
| R1106                                     | VRS-CZ1JF750JY  | AA         |          | J             | Resistor 75 1/16W Metal Oxide                          |
| R1112                                     | VRS-CZ1JF101JY  | AA         |          | J             | Resistor 100 1/16W Metal Oxide                         |
| R1113                                     | VRS-CZ1JF101JY  | AA         |          | J             | Resistor 100 1/16W Metal Oxide                         |
| R1114                                     | VRS-CZ1JF101JY  | AA         |          | J             | Resistor 100 1/16W Metal Oxide                         |
| R1116                                     | VRS-CZ1JF471JY  | AA         |          | J             | Resistor 470 1/16W Metal Oxide                         |
| R1121                                     | VRS-TV1JD102JY  | AA         |          | J             | Resistor 1k 1/16W Metal Oxide                          |
| R1122                                     | VRS-TV1JD102JY  | AA         |          | J             | Resistor 1k 1/16W Metal Oxide                          |
| R1123                                     | VRS-TV1JD102JY  | AA         |          | J             | Resistor 1k 1/16W Metal Oxide                          |
| R1128                                     | VRS-CZ1JF471JY  | AA         |          | J             | Resistor 470 1/16W Metal Oxide                         |
| R1132                                     | VRS-CZ1JF471JY  | AA         |          | J             | Resistor 470 1/16W Metal Oxide                         |
| R1133                                     | VRS-CZ1JF000JY  | AA         |          | J             | Resistor 0 1/16W Metal Oxide                           |
| R1135                                     | VRS-CZ1JF000JY  | AA         |          | J             | Resistor 0 1/16W Metal Oxide                           |
| R1142                                     | VRS-CZ1JF102JY  | AA         |          | J             | Resistor 1k 1/16W Metal Oxide                          |
| R1151                                     | VRS-CZ1JF101JY  | AA         |          | J             | Resistor 100 1/16W Metal Oxide                         |
| R1152                                     | VRS-CZ1JF563JY  | AA         |          | J             | Resistor 56k 1/16W Metal Oxide                         |
| R1153                                     | VRS-CZ1JF123JY  | AA         |          | J             | Resistor 12k 1/16W Metal Oxide                         |
| R1154                                     | VRS-CZ1JF333JY  | AA         |          | J             | Resistor 33k 1/16W Metal Oxide                         |
| R1155                                     | VRS-CZ1JF104JY  | AA         |          | J             | Resistor 100k 1/16W Metal Oxide                        |
| R1156                                     | VRS-CZ1JF393JY  | AA         |          | J             | Resistor 39k 1/16W Metal Oxide                         |
| R1157                                     | VRS-CZ1JF272JY  | AA         |          | J             | Resistor 2.7k 1/16W Metal Oxide                        |
| R1158                                     | VRS-CZ1JF223JY  | AA         |          | J             | Resistor 22k 1/16W Metal Oxide                         |
| R1159                                     | VRS-CZ1JF473JY  | AA         |          | J             | Resistor 47k 1/16W Metal Oxide                         |
| R1160                                     | VRS-CZ1JF822JY  | AA         |          | J             | Resistor 8.2k 1/16W Metal Oxide                        |
| R1162                                     | VRS-CZ1JF103JY  | AA         |          | J             | Resistor 10k 1/16W Metal Oxide                         |
| R1164                                     | VRS-CZ1JF103JY  | AA         |          | J             | Resistor 10k 1/16W Metal Oxide                         |
| R1166                                     | VRS-TV1JD000JY  | AA         |          | J             | Resistor 0 1/16W Metal Oxide                           |
| R1503                                     | VRS-CZ1JF102JY  | AA         |          | J             | Resistor 1k 1/16W Metal Oxide                          |
| R1504                                     | VRS-CZ1JF102JY  | AA         |          | J             | Resistor 1k 1/16W Metal Oxide                          |
| R1506                                     | VRS-CZ1JF000JY  | AA         |          | J             | Resistor 0 1/16W Metal Oxide                           |
| R1508                                     | VRS-CZ1JF101JY  | AA         |          | J             | Resistor 100 1/16W Metal Oxide                         |
| R1509                                     | VRS-CZ1JF473JY  | AA         |          | J             | Resistor 47k 1/16W Metal Oxide                         |
| R1510                                     | VRS-CZ1JF473JY  | AA         |          | J             | Resistor 47k 1/16W Metal Oxide                         |
| R1511                                     | VRK-SA1JF100JY  | AB         |          | J             | Resistor 10 1/16W Metal Composition                    |
| R1513                                     | VRK-SB1FF101JY  | AA         |          | J             | Resistor 100 1/32W Metal Composition                   |

LC-42XL2E/S/RU, LC-46XL2E/S/RU, LC-46X20E/S/RU, LC-52XL2E/S/RU, LC-52X20E/S/RU

| NO.                                       | PARTS CODE     | PRICE RANK | NEW MARK | PART DELIVERY | DESCRIPTION                           |
|---|----------------|------------|----------|---------------|---------------------------------------|
| <b>[3] DUNTKE186FM01/FM02 (MAIN Unit)</b> |                |            |          |               |                                       |
| R1515                                     | VRS-CZ1JF000JY | AA         |          | J             | Resistor 0 1/16W Metal Oxide          |
| R1516                                     | VRS-CZ1JF000JY | AA         |          | J             | Resistor 0 1/16W Metal Oxide          |
| R1517                                     | VRS-CZ1JF000JY | AA         |          | J             | Resistor 0 1/16W Metal Oxide          |
| R1519                                     | VRS-CZ1JF273JY | AA         |          | J             | Resistor 27k 1/16W Metal Oxide        |
| R1520                                     | VRS-CZ1JF000JY | AA         |          | J             | Resistor 0 1/16W Metal Oxide          |
| R1521                                     | VRS-CZ1JF000JY | AA         |          | J             | Resistor 0 1/16W Metal Oxide          |
| R1522                                     | VRS-CZ1JF473JY | AA         |          | J             | Resistor 47k 1/16W Metal Oxide        |
| R1523                                     | VRK-SA1JF100JY | AB         |          | J             | Resistor 10 1/16W Metal Composition   |
| R1524                                     | VRS-CZ1JF103JY | AA         |          | J             | Resistor 10k 1/16W Metal Oxide        |
| R1526                                     | VRS-CZ1JF102JY | AA         |          | J             | Resistor 1k 1/16W Metal Oxide         |
| R1527                                     | VRS-CZ1JF473JY | AA         |          | J             | Resistor 47k 1/16W Metal Oxide        |
| R1528                                     | VRS-CZ1JF102JY | AA         |          | J             | Resistor 1k 1/16W Metal Oxide         |
| R1529                                     | VRS-CZ1JF104JY | AA         |          | J             | Resistor 100k 1/16W Metal Oxide       |
| R1532                                     | VRS-CZ1JF104JY | AA         |          | J             | Resistor 100k 1/16W Metal Oxide       |
| R1533                                     | VRS-CZ1JF102JY | AA         |          | J             | Resistor 1k 1/16W Metal Oxide         |
| R1534                                     | VRS-CZ1JF102JY | AA         |          | J             | Resistor 1k 1/16W Metal Oxide         |
| R1535                                     | VRK-SA1JF473JY | AC         |          | J             | Resistor 47k 1/16W Metal Composition  |
| R1536                                     | VRS-CZ1JF102JY | AA         |          | J             | Resistor 1k 1/16W Metal Oxide         |
| R1537                                     | VRK-SA1JF473JY | AC         |          | J             | Resistor 47k 1/16W Metal Composition  |
| R1538                                     | VRS-CZ1JF102JY | AA         |          | J             | Resistor 1k 1/16W Metal Oxide         |
| R1540                                     | VRS-CZ1JF104JY | AA         |          | J             | Resistor 100k 1/16W Metal Oxide       |
| R1541                                     | VRS-CZ1JF104JY | AA         |          | J             | Resistor 100k 1/16W Metal Oxide       |
| R1542                                     | VRS-CZ1JF331JY | AA         |          | J             | Resistor 330 1/16W Metal Oxide        |
| R1543                                     | VRS-CZ1JF102JY | AA         |          | J             | Resistor 1k 1/16W Metal Oxide         |
| R1544                                     | VRS-CZ1JF102JY | AA         |          | J             | Resistor 1k 1/16W Metal Oxide         |
| R1552                                     | VRS-TV1JD750JY | AA         |          | J             | Resistor 75 1/16W Metal Oxide         |
| R1553                                     | VRS-TV1JD750JY | AA         |          | J             | Resistor 75 1/16W Metal Oxide         |
| R1554                                     | VRS-TV1JD750JY | AA         |          | J             | Resistor 75 1/16W Metal Oxide         |
| R1560                                     | VRS-CZ1JF102JY | AA         |          | J             | Resistor 1k 1/16W Metal Oxide         |
| R1561                                     | VRS-CZ1JF102JY | AA         |          | J             | Resistor 1k 1/16W Metal Oxide         |
| R1562                                     | VRS-CZ1JF221JY | AA         |          | J             | Resistor 220 1/16W Metal Oxide        |
| R1563                                     | VRS-CZ1JF221JY | AA         |          | J             | Resistor 220 1/16W Metal Oxide        |
| R1565                                     | VRS-CZ1JF102JY | AA         |          | J             | Resistor 1k 1/16W Metal Oxide         |
| R1568                                     | VRS-CZ1JF103JY | AA         |          | J             | Resistor 10k 1/16W Metal Oxide        |
| R1570                                     | VRS-CZ1JF152JY | AA         |          | J             | Resistor 1.5k 1/16W Metal Oxide       |
| R1575                                     | VRK-SA1JF100JY | AB         |          | J             | Resistor 10 1/16W Metal Composition   |
| R1579                                     | VRS-CZ1JF000JY | AA         |          | J             | Resistor 0 1/16W Metal Oxide          |
| R1593                                     | VRK-SA1JF100JY | AB         |          | J             | Resistor 10 1/16W Metal Composition   |
| R1595                                     | VRK-SA1JF100JY | AB         |          | J             | Resistor 10 1/16W Metal Composition   |
| R1601                                     | VRK-SA1JF472JY | AA         |          | R             | Resistor 4.7k 1/16W Metal Composition |
| R1604                                     | VRK-SA1JF100JY | AB         |          | J             | Resistor 10 1/16W Metal Composition   |
| R1606                                     | VRS-CZ1JF152JY | AA         |          | J             | Resistor 1.5k 1/16W Metal Oxide       |
| R1607                                     | VRK-SA1JF100JY | AB         |          | J             | Resistor 10 1/16W Metal Composition   |
| R1609                                     | VRK-SA1JF472JY | AA         |          | R             | Resistor 4.7k 1/16W Metal Composition |
| R1622                                     | VRS-CZ1JF102JY | AA         |          | J             | Resistor 1k 1/16W Metal Oxide         |
| R1801                                     | VRS-CZ1JF472JY | AA         |          | J             | Resistor 4.7k 1/16W Metal Oxide       |
| R1817                                     | VRS-CZ1JF223JY | AA         |          | J             | Resistor 22k 1/16W Metal Oxide        |
| R1819                                     | VRS-CZ1JF473JY | AA         |          | J             | Resistor 47k 1/16W Metal Oxide        |
| R1820                                     | VRS-CZ1JF222JY | AA         |          | J             | Resistor 2.2k 1/16W Metal Oxide       |
| R2001                                     | VRS-CZ1JF101JY | AA         |          | J             | Resistor 100 1/16W Metal Oxide        |
| R2003                                     | VRS-CZ1JF100JY | AA         |          | J             | Resistor 10 1/16W Metal Oxide         |
| R2004                                     | VRS-CZ1JF103JY | AA         |          | J             | Resistor 10k 1/16W Metal Oxide        |
| R2005                                     | VRS-CZ1JF103JY | AA         |          | J             | Resistor 10k 1/16W Metal Oxide        |
| R2007                                     | VRS-CZ1JF472JY | AA         |          | J             | Resistor 4.7k 1/16W Metal Oxide       |
| R2008                                     | VRS-CJ1JF102JY | AA         |          | J             | Resistor 1k 1/16W Metal Oxide         |
| R2010                                     | VRS-CJ1JF333JY | AA         |          | J             | Resistor 33k 1/16W Metal Oxide        |
| R2011                                     | VRS-CZ1JF472JY | AA         |          | J             | Resistor 4.7k 1/16W Metal Oxide       |
| R2012                                     | VRK-SA1JF100JY | AB         |          | J             | Resistor 10 1/16W Metal Composition   |
| R2013                                     | VRS-CZ1JF470JY | AA         |          | J             | Resistor 47 1/16W Metal Oxide         |
| R2016                                     | VRS-CZ1JF103JY | AA         |          | J             | Resistor 10k 1/16W Metal Oxide        |
| R2018                                     | VRS-CZ1JF473JY | AA         |          | J             | Resistor 47k 1/16W Metal Oxide        |
| R2019                                     | VRS-CZ1JF103FY | AB         |          | J             | Resistor 10k 1/16W Metal Oxide        |
| R2023                                     | VRS-CZ1JF473JY | AA         |          | J             | Resistor 47k 1/16W Metal Oxide        |
| R2024                                     | VRS-CZ1JF102JY | AA         |          | J             | Resistor 1k 1/16W Metal Oxide         |
| R2025                                     | VRS-CZ1JF223JY | AA         |          | J             | Resistor 22k 1/16W Metal Oxide        |
| R2026                                     | VRS-CZ1JF103JY | AA         |          | J             | Resistor 10k 1/16W Metal Oxide        |
| R2027                                     | VRS-CZ1JF394JY | AA         |          | J             | Resistor 390k 1/16W Metal Oxide       |
| R2028                                     | VRS-CZ1JF106JY | AA         |          | J             | Resistor 10M 1/16W Metal Oxide        |
| R2030                                     | VRS-CZ1JF473JY | AA         |          | J             | Resistor 47k 1/16W Metal Oxide        |
| R2032                                     | VRS-CZ1JF223JY | AA         |          | J             | Resistor 22k 1/16W Metal Oxide        |
| R2033                                     | VRS-CZ1JF101JY | AA         |          | J             | Resistor 100 1/16W Metal Oxide        |
| R2035                                     | VRS-CZ1JF223JY | AA         |          | J             | Resistor 22k 1/16W Metal Oxide        |
| R2036                                     | VRK-SB1FF223JY | AA         |          | J             | Resistor 22k 1/32W Metal Composition  |
| R2038                                     | VRS-CZ1JF104JY | AA         |          | J             | Resistor 100k 1/16W Metal Oxide       |
| R2039                                     | VRS-CZ1JF103JY | AA         |          | J             | Resistor 10k 1/16W Metal Oxide        |
| R2040                                     | VRS-CZ1JF103JY | AA         |          | J             | Resistor 10k 1/16W Metal Oxide        |
| R2041                                     | VRS-CZ1JF152JY | AA         |          | J             | Resistor 1.5k 1/16W Metal Oxide       |
| R2042                                     | VRK-SB1FF101JY | AA         |          | J             | Resistor 100 1/32W Metal Composition  |
| R2043                                     | VRS-CZ1JF103JY | AA         |          | J             | Resistor 10k 1/16W Metal Oxide        |
| R2044                                     | VRS-CZ1JF100JY | AA         |          | J             | Resistor 10 1/16W Metal Oxide         |
| R2045                                     | VRS-CZ1JF102JY | AA         |          | J             | Resistor 1k 1/16W Metal Oxide         |
| R2047                                     | VRS-CZ1JF101JY | AA         |          | J             | Resistor 100 1/16W Metal Oxide        |
| R2048                                     | VRS-CZ1JF000JY | AA         |          | J             | Resistor 0 1/16W Metal Oxide          |
| R2049                                     | VRS-CZ1JF272JY | AA         |          | J             | Resistor 2.7k 1/16W Metal Oxide       |
| R2050                                     | VRS-CZ1JF101JY | AA         |          | J             | Resistor 100 1/16W Metal Oxide        |

LC-42XL2E/S/RU, LC-46XL2E/S/RU, LC-46X20E/S/RU, LC-52XL2E/S/RU, LC-52X20E/S/RU

| NO.                                       | PARTS CODE     | PRICE RANK | NEW MARK | PART DELIVERY | DESCRIPTION                           |
|---|----------------|------------|----------|---------------|---------------------------------------|
| <b>[3] DUNTKE186FM01/FM02 (MAIN Unit)</b> |                |            |          |               |                                       |
| R2051                                     | VRK-SA1JF100JY | AB         |          | J             | Resistor 10 1/16W Metal Composition   |
| R2052                                     | VRS-CZ1JF101JY | AA         |          | J             | Resistor 100 1/16W Metal Oxide        |
| R2053                                     | VRS-CZ1JF102JY | AA         |          | J             | Resistor 1k 1/16W Metal Oxide         |
| R2054                                     | VRS-CZ1JF103JY | AA         |          | J             | Resistor 10k 1/16W Metal Oxide        |
| R2055                                     | VRS-CZ1JF103JY | AA         |          | J             | Resistor 10k 1/16W Metal Oxide        |
| R2057                                     | VRS-CZ1JF103JY | AA         |          | J             | Resistor 10k 1/16W Metal Oxide        |
| R2061                                     | VRS-CZ1JF473JY | AA         |          | J             | Resistor 47k 1/16W Metal Oxide        |
| R2062                                     | VRS-CZ1JF103JY | AA         |          | J             | Resistor 10k 1/16W Metal Oxide        |
| R2063                                     | VRS-CZ1JF103JY | AA         |          | J             | Resistor 10k 1/16W Metal Oxide        |
| R2066                                     | VRS-CZ1JF473JY | AA         |          | J             | Resistor 47k 1/16W Metal Oxide        |
| R2067                                     | VRS-CZ1JF473JY | AA         |          | J             | Resistor 47k 1/16W Metal Oxide        |
| R2068                                     | VRS-CZ1JF473JY | AA         |          | J             | Resistor 47k 1/16W Metal Oxide        |
| R2070                                     | VRS-CZ1JF473JY | AA         |          | J             | Resistor 47k 1/16W Metal Oxide        |
| R2071                                     | VRS-CZ1JF100JY | AA         |          | J             | Resistor 10 1/16W Metal Oxide         |
| R2072                                     | VRS-CZ1JF101JY | AA         |          | J             | Resistor 100 1/16W Metal Oxide        |
| R2074                                     | VRS-CZ1JF103JY | AA         |          | J             | Resistor 10k 1/16W Metal Oxide        |
| R2075                                     | VRS-CZ1JF103JY | AA         |          | J             | Resistor 10k 1/16W Metal Oxide        |
| R2077                                     | VRS-CZ1JF103JY | AA         |          | J             | Resistor 10k 1/16W Metal Oxide        |
| R2079                                     | VRS-CZ1JF103JY | AA         |          | J             | Resistor 10k 1/16W Metal Oxide        |
| R2081                                     | VRS-CZ1JF000JY | AA         |          | J             | Resistor 0 1/16W Metal Oxide          |
| R2082                                     | VRS-CZ1JF103JY | AA         |          | J             | Resistor 10k 1/16W Metal Oxide        |
| R2088                                     | VRS-CZ1JF393JY | AA         |          | J             | Resistor 39k 1/16W Metal Oxide        |
| R2089                                     | VRS-CZ1JF103JY | AA         |          | J             | Resistor 10k 1/16W Metal Oxide        |
| R2091                                     | VRS-CZ1JF101JY | AA         |          | J             | Resistor 100 1/16W Metal Oxide        |
| R2092                                     | VRS-CZ1JF104JY | AA         |          | J             | Resistor 100k 1/16W Metal Oxide       |
| R2093                                     | VRS-CZ1JF103JY | AA         |          | J             | Resistor 10k 1/16W Metal Oxide        |
| R2094                                     | VRS-CZ1JF100JY | AA         |          | J             | Resistor 10 1/16W Metal Oxide         |
| R2096                                     | VRS-CZ1JF473JY | AA         |          | J             | Resistor 47k 1/16W Metal Oxide        |
| R2402                                     | VRS-CZ1JF470JY | AA         |          | J             | Resistor 47 1/16W Metal Oxide         |
| R2405                                     | VRS-CZ1JF103JY | AA         |          | J             | Resistor 10k 1/16W Metal Oxide        |
| R2406                                     | VRS-CZ1JF473JY | AA         |          | J             | Resistor 47k 1/16W Metal Oxide        |
| R2407                                     | VRK-SB1FF472JY | AA         |          | J             | Resistor 4.7k 1/32W Metal Composition |
| R2408                                     | VRS-TV1JD101JY | AA         |          | J             | Resistor 100 1/16W Metal Oxide        |
| R2409                                     | VRS-TV1JD101JY | AA         |          | J             | Resistor 100 1/16W Metal Oxide        |
| R2410                                     | VRS-TV1JD101JY | AA         |          | J             | Resistor 100 1/16W Metal Oxide        |
| R2414                                     | VRS-CZ1JF000JY | AA         |          | J             | Resistor 0 1/16W Metal Oxide          |
| R2415                                     | VRS-CZ1JF000JY | AA         |          | J             | Resistor 0 1/16W Metal Oxide          |
| R2417                                     | VRS-CZ1JF000JY | AA         |          | J             | Resistor 0 1/16W Metal Oxide          |
| R2418                                     | VRS-CZ1JF103JY | AA         |          | J             | Resistor 10k 1/16W Metal Oxide        |
| R2420                                     | VRS-CZ1JF103JY | AA         |          | J             | Resistor 10k 1/16W Metal Oxide        |
| R2421                                     | VRS-CZ1JF470JY | AA         |          | J             | Resistor 47 1/16W Metal Oxide         |
| R2422                                     | VRS-CZ1JF103JY | AA         |          | J             | Resistor 10k 1/16W Metal Oxide        |
| R2423                                     | VRS-CZ1JF000JY | AA         |          | J             | Resistor 0 1/16W Metal Oxide          |
| R2425                                     | VRS-CZ1JF470JY | AA         |          | J             | Resistor 47 1/16W Metal Oxide         |
| R2426                                     | VRS-CZ1JF103JY | AA         |          | J             | Resistor 10k 1/16W Metal Oxide        |
| R2428                                     | VRS-CZ1JF473JY | AA         |          | J             | Resistor 47k 1/16W Metal Oxide        |
| R2429                                     | VRS-CZ1JF473JY | AA         |          | J             | Resistor 47k 1/16W Metal Oxide        |
| R2430                                     | VRS-CZ1JF105JY | AA         |          | J             | Resistor 1.0M 1/16W Metal Oxide       |
| R2432                                     | VRS-CZ1JF105JY | AA         |          | J             | Resistor 1.0M 1/16W Metal Oxide       |
| R2436                                     | VRS-CJ1JF000JY | AA         |          | J             | Resistor 0 1/16W Metal Oxide          |
| R2601                                     | VRK-SB1FF223JY | AA         |          | J             | Resistor 22k 1/32W Metal Composition  |
| R2602                                     | VRK-SB1FF223JY | AA         |          | J             | Resistor 22k 1/32W Metal Composition  |
| R2603                                     | VRK-SA1JF103JY | AB         |          | J             | Resistor 10k 1/16W Metal Composition  |
| R2604                                     | VRS-CZ1JF000JY | AA         |          | J             | Resistor 0 1/16W Metal Oxide          |
| R2605                                     | VRS-CZ1JF000JY | AA         |          | J             | Resistor 0 1/16W Metal Oxide          |
| R2606                                     | VRS-CZ1JF000JY | AA         |          | J             | Resistor 0 1/16W Metal Oxide          |
| R2607                                     | VRS-CZ1JF000JY | AA         |          | J             | Resistor 0 1/16W Metal Oxide          |
| R2608                                     | VRS-CZ1JF000JY | AA         |          | J             | Resistor 0 1/16W Metal Oxide          |
| R2609                                     | VRS-CZ1JF000JY | AA         |          | J             | Resistor 0 1/16W Metal Oxide          |
| R2610                                     | VRS-CZ1JF000JY | AA         |          | J             | Resistor 0 1/16W Metal Oxide          |
| R2611                                     | VRS-CZ1JF470JY | AA         |          | J             | Resistor 47 1/16W Metal Oxide         |
| R2612                                     | VRS-CZ1JF000JY | AA         |          | J             | Resistor 0 1/16W Metal Oxide          |
| R2613                                     | VRS-CZ1JF000JY | AA         |          | J             | Resistor 0 1/16W Metal Oxide          |
| R2614                                     | VRS-CZ1JF000JY | AA         |          | J             | Resistor 0 1/16W Metal Oxide          |
| R2617                                     | VRS-CZ1JF000JY | AA         |          | J             | Resistor 0 1/16W Metal Oxide          |
| R2618                                     | VRS-CZ1JF000JY | AA         |          | J             | Resistor 0 1/16W Metal Oxide          |
| R2619                                     | VRS-CZ1JF000JY | AA         |          | J             | Resistor 0 1/16W Metal Oxide          |
| R2620                                     | VRS-CZ1JF000JY | AA         |          | J             | Resistor 0 1/16W Metal Oxide          |
| R2623                                     | VRS-CZ1JF000JY | AA         |          | J             | Resistor 0 1/16W Metal Oxide          |
| R2628                                     | VRS-CZ1JF000JY | AA         |          | J             | Resistor 0 1/16W Metal Oxide          |
| R2629                                     | VRS-CZ1JF223JY | AA         |          | J             | Resistor 22k 1/16W Metal Oxide        |
| R3302                                     | VRS-CZ1JF102JY | AA         |          | J             | Resistor 1k 1/16W Metal Oxide         |
| R3303                                     | VRS-CZ1JF102JY | AA         |          | J             | Resistor 1k 1/16W Metal Oxide         |
| R3304                                     | VRS-CZ1JF103JY | AA         |          | J             | Resistor 10k 1/16W Metal Oxide        |
| R3305                                     | VRS-CZ1JF103JY | AA         |          | J             | Resistor 10k 1/16W Metal Oxide        |
| R3306                                     | VRS-TW2ED750JY | AA         |          | J             | Resistor 75 1/4W Metal Oxide          |
| R3307                                     | VRS-TW2ED750JY | AA         |          | J             | Resistor 75 1/4W Metal Oxide          |
| R3308                                     | VRS-TW2ED750JY | AA         |          | J             | Resistor 75 1/4W Metal Oxide          |
| R3309                                     | VRS-CZ1JF470JY | AA         |          | J             | Resistor 47 1/16W Metal Oxide         |
| R3311                                     | VRK-SB1FF470JY | AA         |          | J             | Resistor 47 1/32W Metal Composition   |
| R3314                                     | VRS-CZ1JF330JY | AA         |          | J             | Resistor 33 1/16W Metal Oxide         |
| R3315                                     | VRS-CZ1JF105JY | AA         |          | J             | Resistor 1.0M 1/16W Metal Oxide       |
| R3316                                     | VRS-CZ1JF471JY | AA         |          | J             | Resistor 470 1/16W Metal Oxide        |
| R3317                                     | VRS-CZ1JF330JY | AA         |          | J             | Resistor 33 1/16W Metal Oxide         |
| R3318                                     | VRS-CZ1JF103JY | AA         |          | J             | Resistor 10k 1/16W Metal Oxide        |

LC-42XL2E/S/RU, LC-46XL2E/S/RU, LC-46X20E/S/RU, LC-52XL2E/S/RU, LC-52X20E/S/RU

| NO.                                       | PARTS CODE     | PRICE RANK | NEW MARK | PART DELIVERY | DESCRIPTION                         |
|---|----------------|------------|----------|---------------|-------------------------------------|
| <b>[3] DUNTKE186FM01/FM02 (MAIN Unit)</b> |                |            |          |               |                                     |
| R3319                                     | VRS-CZ1JF330JY | AA         |          | J             | Resistor 33 1/16W Metal Oxide       |
| R3320                                     | VRS-CZ1JF470JY | AA         |          | J             | Resistor 47 1/16W Metal Oxide       |
| R3321                                     | VRS-CZ1JF470JY | AA         |          | J             | Resistor 47 1/16W Metal Oxide       |
| R3322                                     | VRS-CZ1JF470JY | AA         |          | J             | Resistor 47 1/16W Metal Oxide       |
| R3323                                     | VRS-CZ1JF330JY | AA         |          | J             | Resistor 33 1/16W Metal Oxide       |
| R3327                                     | VRS-CZ1JF102JY | AA         |          | J             | Resistor 1k 1/16W Metal Oxide       |
| R3328                                     | VRS-CZ1JF470JY | AA         |          | J             | Resistor 47 1/16W Metal Oxide       |
| R3329                                     | VRS-CZ1JF103JY | AA         |          | J             | Resistor 10k 1/16W Metal Oxide      |
| R3330                                     | VRS-CZ1JF103JY | AA         |          | J             | Resistor 10k 1/16W Metal Oxide      |
| R3331                                     | VRS-CZ1JF472JY | AA         |          | J             | Resistor 4.7k 1/16W Metal Oxide     |
| R3332                                     | VRS-CZ1JF472JY | AA         |          | J             | Resistor 4.7k 1/16W Metal Oxide     |
| R3333                                     | VRS-CZ1JF472JY | AA         |          | J             | Resistor 4.7k 1/16W Metal Oxide     |
| R3337                                     | VRS-CZ1JF472JY | AA         |          | J             | Resistor 4.7k 1/16W Metal Oxide     |
| R3338                                     | VRS-CZ1JF472JY | AA         |          | J             | Resistor 4.7k 1/16W Metal Oxide     |
| R3339                                     | VRS-CZ1JF472JY | AA         |          | J             | Resistor 4.7k 1/16W Metal Oxide     |
| R3340                                     | VRS-CZ1JF472JY | AA         |          | J             | Resistor 4.7k 1/16W Metal Oxide     |
| R3341                                     | VRK-SB1FF470JY | AA         |          | J             | Resistor 47 1/32W Metal Composition |
| R3342                                     | VRK-SB1FF680JY | AA         |          | J             | Resistor 68 1/32W Metal Composition |
| R3343                                     | VRK-SB1FF680JY | AA         |          | J             | Resistor 68 1/32W Metal Composition |
| R3344                                     | VRS-CZ1JF680JY | AB         |          | J             | Resistor 68 1/16W Metal Oxide       |
| R3345                                     | VRS-CZ1JF680JY | AB         |          | J             | Resistor 68 1/16W Metal Oxide       |
| R3346                                     | VRK-SB1FF680JY | AA         |          | J             | Resistor 68 1/32W Metal Composition |
| R3347                                     | VRS-CZ1JF680JY | AB         |          | J             | Resistor 68 1/16W Metal Oxide       |
| R3348                                     | VRS-CZ1JF680JY | AB         |          | J             | Resistor 68 1/16W Metal Oxide       |
| R3349                                     | VRK-SB1FF680JY | AA         |          | J             | Resistor 68 1/32W Metal Composition |
| R3350                                     | VRK-SB1FF680JY | AA         |          | J             | Resistor 68 1/32W Metal Composition |
| R3351                                     | VRS-CZ1JF680JY | AB         |          | J             | Resistor 68 1/16W Metal Oxide       |
| R3352                                     | VRS-CZ1JF680JY | AB         |          | J             | Resistor 68 1/16W Metal Oxide       |
| R3353                                     | VRK-SB1FF680JY | AA         |          | J             | Resistor 68 1/32W Metal Composition |
| R3354                                     | VRK-SB1FF680JY | AA         |          | J             | Resistor 68 1/32W Metal Composition |
| R3355                                     | VRS-CZ1JF220JY | AA         |          | J             | Resistor 22 1/16W Metal Oxide       |
| R3501                                     | VRS-CZ1JF680JY | AB         |          | J             | Resistor 68 1/16W Metal Oxide       |
| R3502                                     | VRS-CZ1JF680JY | AB         |          | J             | Resistor 68 1/16W Metal Oxide       |
| R3503                                     | VRK-SB1FF680JY | AA         |          | J             | Resistor 68 1/32W Metal Composition |
| R3506                                     | VRS-CZ1JF680JY | AB         |          | J             | Resistor 68 1/16W Metal Oxide       |
| R3507                                     | VRK-SB1FF330JY | AA         |          | J             | Resistor 33 1/32W Metal Composition |
| R3509                                     | VRK-SB1FF330JY | AA         |          | J             | Resistor 33 1/32W Metal Composition |
| R3511                                     | VRK-SB1FF680JY | AA         |          | J             | Resistor 68 1/32W Metal Composition |
| R3512                                     | VRS-CZ1JF680JY | AB         |          | J             | Resistor 68 1/16W Metal Oxide       |
| R3513                                     | VRK-SB1FF680JY | AA         |          | J             | Resistor 68 1/32W Metal Composition |
| R3514                                     | VRS-CZ1JF330JY | AA         |          | J             | Resistor 33 1/16W Metal Oxide       |
| R3516                                     | VRS-CZ1JF330JY | AA         |          | J             | Resistor 33 1/16W Metal Oxide       |
| R3521                                     | VRK-SB1FF330JY | AA         |          | J             | Resistor 33 1/32W Metal Composition |
| R3524                                     | VRK-SB1FF330JY | AA         |          | J             | Resistor 33 1/32W Metal Composition |
| R3525                                     | VRK-SB1FF330JY | AA         |          | J             | Resistor 33 1/32W Metal Composition |
| R3526                                     | VRK-SB1FF330JY | AA         |          | J             | Resistor 33 1/32W Metal Composition |
| R3527                                     | VRK-SB1FF330JY | AA         |          | J             | Resistor 33 1/32W Metal Composition |
| R3528                                     | VRS-CZ1JF330JY | AA         |          | J             | Resistor 33 1/16W Metal Oxide       |
| R3530                                     | VRS-CZ1JF330JY | AA         |          | J             | Resistor 33 1/16W Metal Oxide       |
| R3532                                     | VRS-CZ1JF510JY | AA         |          | J             | Resistor 51 1/16W Metal Oxide       |
| R3539                                     | VRS-CZ1JF510JY | AA         |          | J             | Resistor 51 1/16W Metal Oxide       |
| R3540                                     | VRK-SB1FF330JY | AA         |          | J             | Resistor 33 1/32W Metal Composition |
| R3541                                     | VRK-SB1FF330JY | AA         |          | J             | Resistor 33 1/32W Metal Composition |
| R3542                                     | VRK-SB1FF330JY | AA         |          | J             | Resistor 33 1/32W Metal Composition |
| R3543                                     | VRK-SB1FF330JY | AA         |          | J             | Resistor 33 1/32W Metal Composition |
| R3544                                     | VRS-CZ1JF330JY | AA         |          | J             | Resistor 33 1/16W Metal Oxide       |
| R3546                                     | VRS-CZ1JF330JY | AA         |          | J             | Resistor 33 1/16W Metal Oxide       |
| R3554                                     | VRK-SB1FF330JY | AA         |          | J             | Resistor 33 1/32W Metal Composition |
| R3555                                     | VRK-SB1FF330JY | AA         |          | J             | Resistor 33 1/32W Metal Composition |
| R3556                                     | VRK-SB1FF330JY | AA         |          | J             | Resistor 33 1/32W Metal Composition |
| R3557                                     | VRK-SB1FF330JY | AA         |          | J             | Resistor 33 1/32W Metal Composition |
| R3558                                     | VRS-CZ1JF330JY | AA         |          | J             | Resistor 33 1/16W Metal Oxide       |
| R3560                                     | VRS-CZ1JF330JY | AA         |          | J             | Resistor 33 1/16W Metal Oxide       |
| R3570                                     | VRS-CZ1JF330JY | AA         |          | J             | Resistor 33 1/16W Metal Oxide       |
| R3571                                     | VRS-CZ1JF330JY | AA         |          | J             | Resistor 33 1/16W Metal Oxide       |
| R3572                                     | VRS-CZ1JF330JY | AA         |          | J             | Resistor 33 1/16W Metal Oxide       |
| R3573                                     | VRS-CZ1JF330JY | AA         |          | J             | Resistor 33 1/16W Metal Oxide       |
| R3574                                     | VRS-CZ1JF330JY | AA         |          | J             | Resistor 33 1/16W Metal Oxide       |
| R3575                                     | VRS-CZ1JF330JY | AA         |          | J             | Resistor 33 1/16W Metal Oxide       |
| R3576                                     | VRS-CZ1JF330JY | AA         |          | J             | Resistor 33 1/16W Metal Oxide       |
| R3577                                     | VRS-CZ1JF330JY | AA         |          | J             | Resistor 33 1/16W Metal Oxide       |
| R3578                                     | VRK-SB1FF330JY | AA         |          | J             | Resistor 33 1/32W Metal Composition |
| R3579                                     | VRK-SB1FF680JY | AA         |          | J             | Resistor 68 1/32W Metal Composition |
| R4401                                     | VRS-CZ1JF470JY | AA         |          | J             | Resistor 47 1/16W Metal Oxide       |
| R4402                                     | VRS-CZ1JF470JY | AA         |          | J             | Resistor 47 1/16W Metal Oxide       |
| R4403                                     | VRS-CZ1JF470JY | AA         |          | J             | Resistor 47 1/16W Metal Oxide       |
| R4404                                     | VRS-CZ1JF470JY | AA         |          | J             | Resistor 47 1/16W Metal Oxide       |
| R4405                                     | VRS-CZ1JF470JY | AA         |          | J             | Resistor 47 1/16W Metal Oxide       |
| R4406                                     | VRS-CZ1JF470JY | AA         |          | J             | Resistor 47 1/16W Metal Oxide       |
| R4408                                     | VRK-SB1FF470JY | AA         |          | J             | Resistor 47 1/32W Metal Composition |
| R4409                                     | VRK-SB1FF470JY | AA         |          | J             | Resistor 47 1/32W Metal Composition |
| R4410                                     | VRS-CZ1JF000JY | AA         |          | J             | Resistor 0 1/16W Metal Oxide        |
| R4411                                     | VRS-CZ1JF470JY | AA         |          | J             | Resistor 47 1/16W Metal Oxide       |
| R4413                                     | VRS-CZ1JF470JY | AA         |          | J             | Resistor 47 1/16W Metal Oxide       |
| R4417                                     | VRS-CZ1JF103JY | AA         |          | J             | Resistor 10k 1/16W Metal Oxide      |

LC-42XL2E/S/RU, LC-46XL2E/S/RU, LC-46X20E/S/RU, LC-52XL2E/S/RU, LC-52X20E/S/RU

| NO.                                       | PARTS CODE        | PRICE RANK | NEW MARK | PART DELIVERY | DESCRIPTION                           |
|---|-------------------|------------|----------|---------------|---------------------------------------|
| <b>[3] DUNTKE186FM01/FM02 (MAIN Unit)</b> |                   |            |          |               |                                       |
| R4419                                     | VRS-CZ1 JF 103 JY | AA         |          | J             | Resistor 10k 1/16W Metal Oxide        |
| R4420                                     | VRS-CZ1 JF 103 JY | AA         |          | J             | Resistor 10k 1/16W Metal Oxide        |
| R4421                                     | VRS-CH1 JF 470 JY | AA         |          | J             | Resistor 47 1/16W Metal Oxide         |
| R4422                                     | VRS-CH1 JF 470 JY | AA         |          | J             | Resistor 47 1/16W Metal Oxide         |
| R4423                                     | VRS-CZ1 JF 103 JY | AA         |          | J             | Resistor 10k 1/16W Metal Oxide        |
| R4425                                     | VRS-CZ1 JF 103 JY | AA         |          | J             | Resistor 10k 1/16W Metal Oxide        |
| R4426                                     | VRS-CZ1 JF 103 JY | AA         |          | J             | Resistor 10k 1/16W Metal Oxide        |
| R4427                                     | VRS-CH1 JF 470 JY | AA         |          | J             | Resistor 47 1/16W Metal Oxide         |
| R4428                                     | VRS-CH1 JF 470 JY | AA         |          | J             | Resistor 47 1/16W Metal Oxide         |
| R4429                                     | VRS-CH1 JF 470 JY | AA         |          | J             | Resistor 47 1/16W Metal Oxide         |
| R4430                                     | VRS-CZ1 JF 471 JY | AA         |          | J             | Resistor 470 1/16W Metal Oxide        |
| R4431                                     | VRS-CZ1 JF 103 JY | AA         |          | J             | Resistor 10k 1/16W Metal Oxide        |
| R4432                                     | VRS-CZ1 JF 103 JY | AA         |          | J             | Resistor 10k 1/16W Metal Oxide        |
| R4436                                     | VRS-CZ1 JF 103 JY | AA         |          | J             | Resistor 10k 1/16W Metal Oxide        |
| R4437                                     | VRS-CZ1 JF 103 JY | AA         |          | J             | Resistor 10k 1/16W Metal Oxide        |
| R4441                                     | VRS-CZ1 JF 103 JY | AA         |          | J             | Resistor 10k 1/16W Metal Oxide        |
| R4447                                     | VRS-CZ1 JF 102 JY | AA         |          | J             | Resistor 1k 1/16W Metal Oxide         |
| R8101                                     | VRS-CZ1 JF 470 JY | AA         |          | J             | Resistor 47 1/16W Metal Oxide         |
| R8102                                     | VRS-CZ1 JF 472 JY | AA         |          | J             | Resistor 4.7k 1/16W Metal Oxide       |
| R8103                                     | VRS-CZ1 JF 472 JY | AA         |          | J             | Resistor 4.7k 1/16W Metal Oxide       |
| R8104                                     | VRK-SB1 FF 472 JY | AA         |          | J             | Resistor 4.7k 1/32W Metal Composition |
| R8105                                     | VRS-CZ1 JF 100 JY | AA         |          | J             | Resistor 10 1/16W Metal Oxide         |
| R8106                                     | VRS-CZ1 JF 220 JY | AA         |          | J             | Resistor 22 1/16W Metal Oxide         |
| R8107                                     | VRS-CZ1 JF 220 JY | AA         |          | J             | Resistor 22 1/16W Metal Oxide         |
| R8108                                     | VRS-CZ1 JF 220 JY | AA         |          | J             | Resistor 22 1/16W Metal Oxide         |
| R8109                                     | VRS-CZ1 JF 220 JY | AA         |          | J             | Resistor 22 1/16W Metal Oxide         |
| R8111                                     | VRS-CZ1 JF 103 JY | AA         |          | J             | Resistor 10k 1/16W Metal Oxide        |
| R8112                                     | VRS-CZ1 JF 103 JY | AA         |          | J             | Resistor 10k 1/16W Metal Oxide        |
| R8113                                     | VRS-CZ1 JF 201 JY | AA         |          | J             | Resistor 200 1/16W Metal Oxide        |
| R8114                                     | VRS-CZ1 JF 4R7 JY | AA         |          | J             | Resistor 4.7 1/16W Metal Oxide        |
| R8115                                     | VRS-CZ1 JF 102 JY | AA         |          | J             | Resistor 1k 1/16W Metal Oxide         |
| R8116                                     | VRS-CZ1 JF 105 JY | AA         |          | J             | Resistor 1.0M 1/16W Metal Oxide       |
| R8118                                     | VRK-SB1 FF 470 JY | AA         |          | J             | Resistor 47 1/32W Metal Composition   |
| R8119                                     | VRK-SB1 FF 103 JY | AA         |          | J             | Resistor 10k 1/32W Metal Composition  |
| R8120                                     | VRK-SB1 FF 103 JY | AA         |          | J             | Resistor 10k 1/32W Metal Composition  |
| R8121                                     | VRK-SB1 FF 103 JY | AA         |          | J             | Resistor 10k 1/32W Metal Composition  |
| R8122                                     | VRK-SB1 FF 103 JY | AA         |          | J             | Resistor 10k 1/32W Metal Composition  |
| R8123                                     | VRK-SB1 FF 103 JY | AA         |          | J             | Resistor 10k 1/32W Metal Composition  |
| R8124                                     | VRK-SB1 FF 103 JY | AA         |          | J             | Resistor 10k 1/32W Metal Composition  |
| R8125                                     | VRK-SB1 FF 103 JY | AA         |          | J             | Resistor 10k 1/32W Metal Composition  |
| R8126                                     | VRK-SB1 FF 470 JY | AA         |          | J             | Resistor 47 1/32W Metal Composition   |
| R8127                                     | VRK-SB1 FF 103 JY | AA         |          | J             | Resistor 10k 1/32W Metal Composition  |
| R8128                                     | VRS-CZ1 JF 470 JY | AA         |          | J             | Resistor 47 1/16W Metal Oxide         |
| R8129                                     | VRS-CZ1 JF 470 JY | AA         |          | J             | Resistor 47 1/16W Metal Oxide         |
| R8130                                     | VRK-SB1 FF 103 JY | AA         |          | J             | Resistor 10k 1/32W Metal Composition  |
| R8131                                     | VRS-CZ1 JF 562 JY | AA         |          | J             | Resistor 5.6k 1/16W Metal Oxide       |
| R8132                                     | VRS-CZ1 JF 431 JY | AA         |          | R             | Resistor 430 1/16W Metal Oxide        |
| R8133                                     | VRS-CZ1 JF 331 JY | AA         |          | J             | Resistor 330 1/16W Metal Oxide        |
| R8135                                     | VRS-CZ1 JF 330 JY | AA         |          | J             | Resistor 33 1/16W Metal Oxide         |
| R8136                                     | VRS-CZ1 JF 330 JY | AA         |          | J             | Resistor 33 1/16W Metal Oxide         |
| R8137                                     | VRS-CZ1 JF 330 JY | AA         |          | J             | Resistor 33 1/16W Metal Oxide         |
| R8140                                     | VRS-CZ1 JF 472 JY | AA         |          | J             | Resistor 4.7k 1/16W Metal Oxide       |
| R8141                                     | VRS-CZ1 JF 472 JY | AA         |          | J             | Resistor 4.7k 1/16W Metal Oxide       |
| R8147                                     | VRS-CZ1 JF 182 JY | AA         |          | J             | Resistor 1.8k 1/16W Metal Oxide       |
| R8148                                     | VRS-CZ1 JF 470 JY | AA         |          | J             | Resistor 47 1/16W Metal Oxide         |
| R8149                                     | VRK-SB1 FF 472 JY | AA         |          | J             | Resistor 4.7k 1/32W Metal Composition |
| R8150                                     | VRS-CZ1 JF 683 JY | AA         |          | J             | Resistor 68k 1/16W Metal Oxide        |
| R8151                                     | VRS-CZ1 JF 103 JY | AA         |          | J             | Resistor 10k 1/16W Metal Oxide        |
| R8152                                     | VRK-SB1 FF 472 JY | AA         |          | J             | Resistor 4.7k 1/32W Metal Composition |
| R8153                                     | VRK-SB1 FF 472 JY | AA         |          | J             | Resistor 4.7k 1/32W Metal Composition |
| R8154                                     | VRS-CZ1 JF 470 JY | AA         |          | J             | Resistor 47 1/16W Metal Oxide         |
| R8155                                     | VRS-CZ1 JF 470 JY | AA         |          | J             | Resistor 47 1/16W Metal Oxide         |
| R8156                                     | VRS-CZ1 JF 470 JY | AA         |          | J             | Resistor 47 1/16W Metal Oxide         |
| R8159                                     | VRS-CZ1 JF 473 JY | AA         |          | J             | Resistor 47k 1/16W Metal Oxide        |
| R8160                                     | VRS-CZ1 JF 000 JY | AA         |          | J             | Resistor 0 1/16W Metal Oxide          |
| R8161                                     | VRK-SB1 FF 472 JY | AA         |          | J             | Resistor 4.7k 1/32W Metal Composition |
| R8162                                     | VRK-SB1 FF 472 JY | AA         |          | J             | Resistor 4.7k 1/32W Metal Composition |
| R8163                                     | VRS-CZ1 JF 472 JY | AA         |          | J             | Resistor 4.7k 1/16W Metal Oxide       |
| R8165                                     | VRS-CZ1 JF 472 JY | AA         |          | J             | Resistor 4.7k 1/16W Metal Oxide       |
| R8167                                     | VRS-CZ1 JF 182 JY | AA         |          | J             | Resistor 1.8k 1/16W Metal Oxide       |
| R8169                                     | VRS-CZ1 JF 470 JY | AA         |          | J             | Resistor 47 1/16W Metal Oxide         |
| R8174                                     | VRK-SB1 FF 472 JY | AA         |          | J             | Resistor 4.7k 1/32W Metal Composition |
| R8175                                     | VRS-CZ1 JF 470 JY | AA         |          | J             | Resistor 47 1/16W Metal Oxide         |
| R8301                                     | VRS-CZ1 JF 101 JY | AA         |          | J             | Resistor 100 1/16W Metal Oxide        |
| R8302                                     | VRS-CZ1 JF 101 JY | AA         |          | J             | Resistor 100 1/16W Metal Oxide        |
| R8303                                     | VRS-CZ1 JF 101 JY | AA         |          | J             | Resistor 100 1/16W Metal Oxide        |
| R8304                                     | VRS-CZ1 JF 101 JY | AA         |          | J             | Resistor 100 1/16W Metal Oxide        |
| R8305                                     | VRS-CZ1 JF 102 JY | AA         |          | J             | Resistor 1k 1/16W Metal Oxide         |
| R8306                                     | VRS-CZ1 JF 102 JY | AA         |          | J             | Resistor 1k 1/16W Metal Oxide         |
| R8307                                     | VRK-SB1 FF 100 JY | AA         |          | J             | Resistor 10 1/32W Metal Composition   |
| R8308                                     | VRK-SB1 FF 100 JY | AA         |          | J             | Resistor 10 1/32W Metal Composition   |
| R8309                                     | VRK-SB1 FF 100 JY | AA         |          | J             | Resistor 10 1/32W Metal Composition   |
| R8310                                     | VRK-SB1 FF 100 JY | AA         |          | J             | Resistor 10 1/32W Metal Composition   |
| R8311                                     | VRK-SB1 FF 100 JY | AA         |          | J             | Resistor 10 1/32W Metal Composition   |
| R8332                                     | VRS-CZ1 JF 100 JY | AA         |          | J             | Resistor 10 1/16W Metal Oxide         |

LC-42XL2E/S/RU, LC-46XL2E/S/RU, LC-46X20E/S/RU, LC-52XL2E/S/RU, LC-52X20E/S/RU

| NO.                                       | PARTS CODE     | PRICE RANK | NEW MARK | PART DELIVERY | DESCRIPTION                           |
|---|----------------|------------|----------|---------------|---------------------------------------|
| <b>[3] DUNTKE186FM01/FM02 (MAIN Unit)</b> |                |            |          |               |                                       |
| R8333                                     | VRS-CZ1JF100JY | AA         |          | J             | Resistor 10 1/16W Metal Oxide         |
| R8703                                     | VRS-CZ1JF470JY | AA         |          | J             | Resistor 47 1/16W Metal Oxide         |
| R8710                                     | VRS-CZ1JF121JY | AA         |          | J             | Resistor 120 1/16W Metal Oxide        |
| R8712                                     | VRS-CZ1JF682JY | AA         |          | J             | Resistor 6.8k 1/16W Metal Oxide       |
| R8713                                     | VRS-CZ1JF103JY | AA         |          | J             | Resistor 10k 1/16W Metal Oxide        |
| R8714                                     | VRS-CZ1JF470JY | AA         |          | J             | Resistor 47 1/16W Metal Oxide         |
| R8718                                     | VRK-SA1JF100JY | AB         |          | J             | Resistor 10 1/16W Metal Composition   |
| R8722                                     | VRS-CZ1JF102JY | AA         |          | J             | Resistor 1k 1/16W Metal Oxide         |
| R8723                                     | VRS-CZ1JF104JY | AA         |          | J             | Resistor 100k 1/16W Metal Oxide       |
| R8729                                     | VRS-CZ1JF470JY | AA         |          | J             | Resistor 47 1/16W Metal Oxide         |
| R8730                                     | VRK-SA1JF472JY | AA         |          | R             | Resistor 4.7k 1/16W Metal Composition |
| R9103                                     | VRS-CZ1JF000JY | AA         |          | J             | Resistor 0 1/16W Metal Oxide          |
| R9105                                     | VRK-SB1FF472JY | AA         |          | J             | Resistor 4.7k 1/32W Metal Composition |
| R9110                                     | VRS-CZ1JF222JY | AA         |          | J             | Resistor 2.2k 1/16W Metal Oxide       |
| R9111                                     | VRK-SB1FF470JY | AA         |          | J             | Resistor 47 1/32W Metal Composition   |
| R9112                                     | VRS-CZ1JF222JY | AA         |          | J             | Resistor 2.2k 1/16W Metal Oxide       |
| R9115                                     | VRS-CZ1JF222JY | AA         |          | J             | Resistor 2.2k 1/16W Metal Oxide       |
| R9116                                     | VRK-SB1FF472JY | AA         |          | J             | Resistor 4.7k 1/32W Metal Composition |
| R9117                                     | VRS-CZ1JF102JY | AA         |          | J             | Resistor 1k 1/16W Metal Oxide         |
| R9118                                     | VRS-CZ1JF330JY | AA         |          | J             | Resistor 33 1/16W Metal Oxide         |
| R9119                                     | VRS-CZ1JF472JY | AA         |          | J             | Resistor 4.7k 1/16W Metal Oxide       |
| R9120                                     | VRK-SB1FF470JY | AA         |          | J             | Resistor 47 1/32W Metal Composition   |
| R9122                                     | VRS-CZ1JF472JY | AA         |          | J             | Resistor 4.7k 1/16W Metal Oxide       |
| R9123                                     | VRS-CZ1JF222JY | AA         |          | J             | Resistor 2.2k 1/16W Metal Oxide       |
| R9124                                     | VRS-CZ1JF222JY | AA         |          | J             | Resistor 2.2k 1/16W Metal Oxide       |
| R9127                                     | VRS-CZ1JF222JY | AA         |          | J             | Resistor 2.2k 1/16W Metal Oxide       |
| R9130                                     | VRS-CZ1JF222JY | AA         |          | J             | Resistor 2.2k 1/16W Metal Oxide       |
| R9134                                     | VRS-CZ1JF222JY | AA         |          | J             | Resistor 2.2k 1/16W Metal Oxide       |
| R9135                                     | VRS-CZ1JF222JY | AA         |          | J             | Resistor 2.2k 1/16W Metal Oxide       |
| R9137                                     | VRS-CZ1JF222JY | AA         |          | J             | Resistor 2.2k 1/16W Metal Oxide       |
| R9138                                     | VRK-SB1FF470JY | AA         |          | J             | Resistor 47 1/32W Metal Composition   |
| R9139                                     | VRK-SB1FF470JY | AA         |          | J             | Resistor 47 1/32W Metal Composition   |
| R9140                                     | VRS-CZ1JF222JY | AA         |          | J             | Resistor 2.2k 1/16W Metal Oxide       |
| R9141                                     | VRS-CZ1JF222JY | AA         |          | J             | Resistor 2.2k 1/16W Metal Oxide       |
| R9142                                     | VRS-CZ1JF222JY | AA         |          | J             | Resistor 2.2k 1/16W Metal Oxide       |
| R9144                                     | VRS-CZ1JF222JY | AA         |          | J             | Resistor 2.2k 1/16W Metal Oxide       |
| R9145                                     | VRS-CZ1JF222JY | AA         |          | J             | Resistor 2.2k 1/16W Metal Oxide       |
| R9151                                     | VRS-CZ1JF222JY | AA         |          | J             | Resistor 2.2k 1/16W Metal Oxide       |
| R9152                                     | VRS-CZ1JF222JY | AA         |          | J             | Resistor 2.2k 1/16W Metal Oxide       |
| R9153                                     | VRS-CZ1JF222JY | AA         |          | J             | Resistor 2.2k 1/16W Metal Oxide       |
| R9154                                     | VRS-CZ1JF222JY | AA         |          | J             | Resistor 2.2k 1/16W Metal Oxide       |
| R9157                                     | VRS-CZ1JF222JY | AA         |          | J             | Resistor 2.2k 1/16W Metal Oxide       |
| R9158                                     | VRS-CZ1JF222JY | AA         |          | J             | Resistor 2.2k 1/16W Metal Oxide       |
| R9159                                     | VRS-CZ1JF473JY | AA         |          | J             | Resistor 47k 1/16W Metal Oxide        |
| R9162                                     | VRS-CZ1JF472JY | AA         |          | J             | Resistor 4.7k 1/16W Metal Oxide       |
| R9163                                     | VRS-CZ1JF472JY | AA         |          | J             | Resistor 4.7k 1/16W Metal Oxide       |
| R9164                                     | VRS-CZ1JF330JY | AA         |          | J             | Resistor 33 1/16W Metal Oxide         |
| R9181                                     | VRS-CZ1JF473JY | AA         |          | J             | Resistor 47k 1/16W Metal Oxide        |
| R9185                                     | VRS-CZ1JF472JY | AA         |          | J             | Resistor 4.7k 1/16W Metal Oxide       |
| R9186                                     | VRS-CZ1JF472JY | AA         |          | J             | Resistor 4.7k 1/16W Metal Oxide       |
| R9187                                     | VRS-CZ1JF103JY | AA         |          | J             | Resistor 10k 1/16W Metal Oxide        |
| R9188                                     | VRS-CZ1JF220JY | AA         |          | J             | Resistor 22 1/16W Metal Oxide         |
| R9301                                     | VRK-SB1FF470JY | AA         |          | J             | Resistor 47 1/32W Metal Composition   |
| R9302                                     | VRK-SB1FF470JY | AA         |          | J             | Resistor 47 1/32W Metal Composition   |
| R9303                                     | VRK-SB1FF470JY | AA         |          | J             | Resistor 47 1/32W Metal Composition   |
| R9304                                     | VRK-SB1FF470JY | AA         |          | J             | Resistor 47 1/32W Metal Composition   |
| R9305                                     | VRK-SB1FF470JY | AA         |          | J             | Resistor 47 1/32W Metal Composition   |
| R9308                                     | VRK-SA1JF472JY | AA         |          | R             | Resistor 4.7k 1/16W Metal Composition |
| R9310                                     | VRS-CZ1JF103JY | AA         |          | J             | Resistor 10k 1/16W Metal Oxide        |
| R9311                                     | VRS-CZ1JF472JY | AA         |          | J             | Resistor 4.7k 1/16W Metal Oxide       |
| R9314                                     | VRS-CZ1JF000JY | AA         |          | J             | Resistor 0 1/16W Metal Oxide          |
| R9316                                     | VRS-CZ1JF000JY | AA         |          | J             | Resistor 0 1/16W Metal Oxide          |
| R9318                                     | VRS-CZ1JF000JY | AA         |          | J             | Resistor 0 1/16W Metal Oxide          |
| R9320                                     | VRS-CZ1JF000JY | AA         |          | J             | Resistor 0 1/16W Metal Oxide          |
| R9321                                     | VRS-CZ1JF472JY | AA         |          | J             | Resistor 4.7k 1/16W Metal Oxide       |
| R9323                                     | VRS-CZ1JF470JY | AA         |          | J             | Resistor 47 1/16W Metal Oxide         |
| R9324                                     | VRS-CZ1JF470JY | AA         |          | J             | Resistor 47 1/16W Metal Oxide         |
| R9325                                     | VRS-CZ1JF472JY | AA         |          | J             | Resistor 4.7k 1/16W Metal Oxide       |
| R9326                                     | VRS-CZ1JF472JY | AA         |          | J             | Resistor 4.7k 1/16W Metal Oxide       |
| R9327                                     | VRS-CZ1JF472JY | AA         |          | J             | Resistor 4.7k 1/16W Metal Oxide       |
| R9328                                     | VRS-CZ1JF472JY | AA         |          | J             | Resistor 4.7k 1/16W Metal Oxide       |
| R9329                                     | VRS-CZ1JF472JY | AA         |          | J             | Resistor 4.7k 1/16W Metal Oxide       |
| R9330                                     | VRS-CZ1JF472JY | AA         |          | J             | Resistor 4.7k 1/16W Metal Oxide       |
| R9331                                     | VRK-SB1FF470JY | AA         |          | J             | Resistor 47 1/32W Metal Composition   |
| R9332                                     | VRK-SB1FF470JY | AA         |          | J             | Resistor 47 1/32W Metal Composition   |
| R9333                                     | VRK-SB1FF470JY | AA         |          | J             | Resistor 47 1/32W Metal Composition   |
| R9334                                     | VRK-SB1FF470JY | AA         |          | J             | Resistor 47 1/32W Metal Composition   |
| R9335                                     | VRK-SB1FF470JY | AA         |          | J             | Resistor 47 1/32W Metal Composition   |
| R9601                                     | VRS-CZ1JF103JY | AA         |          | J             | Resistor 10k 1/16W Metal Oxide        |
| R9602                                     | VRS-CZ1JF103JY | AA         |          | J             | Resistor 10k 1/16W Metal Oxide        |
| R9603                                     | VRS-CZ1JF682JY | AA         |          | J             | Resistor 6.8k 1/16W Metal Oxide       |
| R9604                                     | VRS-CZ1JF224JY | AA         |          | J             | Resistor 220k 1/16W Metal Oxide       |
| R9605                                     | VRS-CZ1JF103JY | AA         |          | J             | Resistor 10k 1/16W Metal Oxide        |
| R9606                                     | VRS-CZ1JF473JY | AA         |          | J             | Resistor 47k 1/16W Metal Oxide        |
| R9607                                     | VRS-CZ1JF103JY | AA         |          | J             | Resistor 10k 1/16W Metal Oxide        |



LC-42XL2E/S/RU, LC-46XL2E/S/RU, LC-46X20E/S/RU, LC-52XL2E/S/RU, LC-52X20E/S/RU

| NO.                                       | PARTS CODE     | PRICE RANK | NEW MARK | PART DELIVERY | DESCRIPTION                     |
|---|----------------|------------|----------|---------------|---------------------------------|
| <b>[3] DUNTKE186FM01/FM02 (MAIN Unit)</b> |                |            |          |               |                                 |
| R9608                                     | VRS-CZ1JF101JY | AA         |          | J             | Resistor 100 1/16W Metal Oxide  |
| R9609                                     | VRS-CZ1JF472JY | AA         |          | J             | Resistor 4.7k 1/16W Metal Oxide |
| R9610                                     | VRS-CZ1JF101FY | AA         |          | J             | Resistor 100 1/16W Metal Oxide  |
| R9612                                     | VRS-CZ1JF103JY | AA         |          | J             | Resistor 10k 1/16W Metal Oxide  |
| R9613                                     | VRS-CZ1JF103JY | AA         |          | J             | Resistor 10k 1/16W Metal Oxide  |
| R9614                                     | VRS-CZ1JF103JY | AA         |          | J             | Resistor 10k 1/16W Metal Oxide  |
| R9615                                     | VRS-CZ1JF103JY | AA         |          | J             | Resistor 10k 1/16W Metal Oxide  |
| R9616                                     | VRS-CZ1JF103FY | AB         |          | J             | Resistor 10k 1/16W Metal Oxide  |
| R9617                                     | VRS-CZ1JF822FY | AA         |          | J             | Resistor 8.2k 1/16W Metal Oxide |
| R9618                                     | VRS-CZ1JF183FY | AA         |          | J             | Resistor 18k 1/16W Metal Oxide  |
| R9619                                     | VRS-CZ1JF103JY | AA         |          | J             | Resistor 10k 1/16W Metal Oxide  |
| R9621                                     | VRS-CZ1JF153JY | AA         |          | J             | Resistor 15k 1/16W Metal Oxide  |
| R9622                                     | VRS-CZ1JF822JY | AA         |          | J             | Resistor 8.2k 1/16W Metal Oxide |
| R9623                                     | VRS-CZ1JF561FY | AA         |          | J             | Resistor 560 1/16W Metal Oxide  |
| R9624                                     | VRS-CZ1JF103JY | AA         |          | J             | Resistor 10k 1/16W Metal Oxide  |
| R9625                                     | VRS-CZ1JF433FY | AA         |          | J             | Resistor 43k 1/16W Metal Oxide  |
| R9626                                     | VRS-CZ1JF473JY | AA         |          | J             | Resistor 47k 1/16W Metal Oxide  |
| R9628                                     | VRS-CZ1JF3R3JY | AA         |          | J             | Resistor 3.3 1/16W Metal Oxide  |
| R9629                                     | VRS-CZ1JF184JY | AA         |          | J             | Resistor 180k 1/16W Metal Oxide |
| R9630                                     | VRS-CZ1JF103JY | AA         |          | J             | Resistor 10k 1/16W Metal Oxide  |
| R9631                                     | VRS-CZ1JF3R3JY | AA         |          | J             | Resistor 3.3 1/16W Metal Oxide  |
| R9632                                     | VRS-CZ1JF103JY | AA         |          | J             | Resistor 10k 1/16W Metal Oxide  |
| R9633                                     | VRS-TW2HF101JY | AA         |          | J             | Resistor 100 1/2W Metal Oxide   |
| R9634                                     | VRS-CZ1JF103JY | AA         |          | J             | Resistor 10k 1/16W Metal Oxide  |
| R9635                                     | VRS-TW2HF101JY | AA         |          | J             | Resistor 100 1/2W Metal Oxide   |
| R9636                                     | VRS-CZ1JF303FY | AA         |          | R             | Resistor 30k 1/16W Metal Oxide  |
| R9638                                     | VRS-CZ1JF153JY | AA         |          | J             | Resistor 15k 1/16W Metal Oxide  |
| R9639                                     | VRS-CZ1JF101JY | AA         |          | J             | Resistor 100 1/16W Metal Oxide  |
| R9640                                     | VRS-CZ1JF331FY | AA         |          | J             | Resistor 330 1/16W Metal Oxide  |
| R9641                                     | VRS-CZ1JF473FY | AA         |          | J             | Resistor 47k 1/16W Metal Oxide  |
| R9642                                     | VRS-CZ1JF184JY | AA         |          | J             | Resistor 180k 1/16W Metal Oxide |
| R9643                                     | VRS-CZ1JF101JY | AA         |          | J             | Resistor 100 1/16W Metal Oxide  |
| R9644                                     | VRS-CZ1JF101JY | AA         |          | J             | Resistor 100 1/16W Metal Oxide  |
| R9645                                     | VRS-TW2HF101JY | AA         |          | J             | Resistor 100 1/2W Metal Oxide   |
| R9646                                     | VRS-CZ1JF101JY | AA         |          | J             | Resistor 100 1/16W Metal Oxide  |
| R9647                                     | VRS-CZ1JF153FY | AA         |          | J             | Resistor 15k 1/16W Metal Oxide  |
| R9649                                     | VRS-CZ1JF682JY | AA         |          | J             | Resistor 6.8k 1/16W Metal Oxide |
| R9653                                     | VRS-CZ1JF224JY | AA         |          | J             | Resistor 220k 1/16W Metal Oxide |
| R9654                                     | VRS-CZ1JF103JY | AA         |          | J             | Resistor 10k 1/16W Metal Oxide  |
| R9656                                     | VRS-CZ1JF272FY | AA         |          | J             | Resistor 2.7k 1/16W Metal Oxide |
| R9657                                     | VRS-CZ1JF473JY | AA         |          | J             | Resistor 47k 1/16W Metal Oxide  |
| R9658                                     | VRS-CZ1JF101FY | AA         |          | J             | Resistor 100 1/16W Metal Oxide  |
| R9659                                     | VRS-CZ1JF133FY | AA         |          | R             | Resistor 13k 1/16W Metal Oxide  |
| R9660                                     | VRS-CZ1JF3R3JY | AA         |          | J             | Resistor 3.3 1/16W Metal Oxide  |
| R9661                                     | VRS-CZ1JF103JY | AA         |          | J             | Resistor 10k 1/16W Metal Oxide  |
| R9662                                     | VRS-CZ1JF103JY | AA         |          | J             | Resistor 10k 1/16W Metal Oxide  |
| R9663                                     | VRS-CZ1JF473JY | AA         |          | J             | Resistor 47k 1/16W Metal Oxide  |
| R9664                                     | VRS-CZ1JF3R3JY | AA         |          | J             | Resistor 3.3 1/16W Metal Oxide  |
| R9665                                     | VRS-CZ1JF103JY | AA         |          | J             | Resistor 10k 1/16W Metal Oxide  |
| R9666                                     | VRS-CZ1JF133FY | AA         |          | R             | Resistor 13k 1/16W Metal Oxide  |
| SC1101                                    | QCNCWA673WJZZY | AF         |          | J             | Connector 82Pin                 |
| SC1501                                    | QSOCZA072WJZZQ | AH         |          | J             | Scket 23Pin(TMDS Input 3)       |
| SC1502                                    | QSOCZA072WJZZQ | AH         |          | J             | Scket 23Pin(TMDS Input 2)       |
| SC1503                                    | QCNCWA661WJQZY | AG         |          | J             | Connector 21Pin(HM)             |
| SC1504                                    | QSOCNA229WJZZ  | AH         |          | J             | Socket 17Pin(Black)             |
| SC2401                                    | QSOCNA706WJZZ  | AF         | N        | R             | Socket 11Pin                    |
| SC4602                                    | QSOCNA003WJZZY | AM         |          | J             | Socket, 100Pin                  |
| SC9301                                    | QCNCWA562WJQZY | AF         |          | J             | Connector 60Pin(To PC Card)     |
| SLD3501                                   | PSLDMB235WJFW  | AD         | N        | R             | Shield                          |
| TH2001                                    | VHHM1103J03-1Y | AC         |          | J             | Thermistor                      |
| VA1501                                    | RH-VXA187WJQZY | AB         |          | J             | Varistor EZAEG2A50AX            |
| VA1502                                    | RH-VXA187WJQZY | AB         |          | J             | Varistor EZAEG2A50AX            |
| VA1503                                    | RH-VXA187WJQZY | AB         |          | J             | Varistor EZAEG2A50AX            |
| VA1504                                    | RH-VXA187WJQZY | AB         |          | J             | Varistor EZAEG2A50AX            |
| VA1505                                    | RH-VXA187WJQZY | AB         |          | J             | Varistor EZAEG2A50AX            |
| VA1506                                    | RH-VXA187WJQZY | AB         |          | J             | Varistor EZAEG2A50AX            |
| VA1507                                    | RH-VXA187WJQZY | AB         |          | J             | Varistor EZAEG2A50AX            |
| VA1508                                    | RH-VXA187WJQZY | AB         |          | J             | Varistor EZAEG2A50AX            |
| VA1509                                    | RH-VXA187WJQZY | AB         |          | J             | Varistor EZAEG2A50AX            |
| VA1510                                    | RH-VXA187WJQZY | AB         |          | J             | Varistor EZAEG2A50AX            |
| VA1511                                    | RH-VXA187WJQZY | AB         |          | J             | Varistor EZAEG2A50AX            |
| VA1512                                    | RH-VXA187WJQZY | AB         |          | J             | Varistor EZAEG2A50AX            |
| VA1513                                    | RH-VXA187WJQZY | AB         |          | J             | Varistor EZAEG2A50AX            |
| VA1514                                    | RH-VXA187WJQZY | AB         |          | J             | Varistor EZAEG2A50AX            |
| VA1515                                    | RH-VXA187WJQZY | AB         |          | J             | Varistor EZAEG2A50AX            |
| VA1516                                    | RH-VXA187WJQZY | AB         |          | J             | Varistor EZAEG2A50AX            |
| X2001                                     | RCRSC0032TAZZY | AG         |          | J             | Crystal, 32.768kHz              |
| X3301                                     | RCRSCA174WJQZY | AG         |          | R             | Crystal                         |
| X8101                                     | RCRSCA174WJQZY | AG         |          | R             | Crystal                         |
| X8102                                     | RCRSC0032TAZZY | AG         |          | J             | Crystal 32.768kHz               |
| X8701                                     | RCRSCA086WJZZY | AG         |          | J             | Crystal 27MHz                   |
| N   | PSHEPA540WJZZ  | AD         | N        | R             | Sheet                           |
| N   | QCNCMA225WJSA  | AY         |          | J             | Card Slot                       |
| N   | QCNWNA883AWPZ  | AD         | N        | R             | Connecting Cord (DDR1 G_G)      |
| N   | XBPSN20P14JS0  | AB         |          | J             | Screw (Card Slot), x4           |

LC-42XL2E/S/RU, LC-46XL2E/S/RU, LC-46X20E/S/RU, LC-52XL2E/S/RU, LC-52X20E/S/RU

| NO.   | PARTS CODE     | PRICE RANK | NEW MARK | PART DELIVERY | DESCRIPTION                    |
|---|----------------|------------|----------|---------------|--------------------------------|
| <b>[4] DUNTKE187FM01/FM02 (TERMINAL Unit)</b> |                |            |          |               |                                |
| C401  | VCKYTV1CB105KY | AC         |          | J             | Capacitor 1 16V Ceramic        |
| C402  | VCCCCY1HH330JY | AA         |          | J             | Capacitor 33p 50V Ceramic      |
| C403  | VCKYCY1EF104ZY | AA         |          | J             | Capacitor 0.1 25V Ceramic      |
| C405  | VCKYCY1HB103KY | AA         |          | J             | Capacitor 0.01 50V Ceramic     |
| C406  | VCKYCY1HB103KY | AA         |          | J             | Capacitor 0.01 50V Ceramic     |
| C408  | VCCCCY1HH221JY | AA         |          | J             | Capacitor 220p 50V Ceramic     |
| C411  | VCKYCY1EF104ZY | AA         |          | J             | Capacitor 0.1 25V Ceramic      |
| C414  | RC-KZA383WJZZY | AC         |          | J             | Capacitor 10 25V Ceramic       |
| C417  | RC-KZA237WJZZY | AB         |          | J             | Capacitor 10 16V Ceramic       |
| C420  | RC-KZA237WJZZY | AB         |          | J             | Capacitor 10 16V Ceramic       |
| C422  | RC-KZA237WJZZY | AB         |          | J             | Capacitor 10 16V Ceramic       |
| C423  | RC-KZA178WJZZY | AC         |          | J             | Capacitor 4.7 25V Ceramic      |
| C424  | VCKYCY1EF104ZY | AA         |          | J             | Capacitor 0.1 25V Ceramic      |
| C426  | RC-KZA237WJZZY | AB         |          | J             | Capacitor 10 16V Ceramic       |
| C428  | VCKYCY1EF104ZY | AA         |          | J             | Capacitor 0.1 25V Ceramic      |
| C429  | RC-KZA237WJZZY | AB         |          | J             | Capacitor 10 16V Ceramic       |
| C430  | VCKYCY1EF104ZY | AA         |          | J             | Capacitor 0.1 25V Ceramic      |
| C431  | VCKYCY1HF103ZY | AA         |          | J             | Capacitor 0.01 50V Ceramic     |
| C432  | RC-KZA237WJZZY | AB         |          | J             | Capacitor 10 16V Ceramic       |
| C433  | RC-KZA237WJZZY | AB         |          | J             | Capacitor 10 16V Ceramic       |
| C501  | VCERM21CN107MY | AD         |          | J             | Capacitor 100 16V Electrolytic |
| C502  | VCKYCY1EF104ZY | AA         |          | J             | Capacitor 0.1 25V Ceramic      |
| C503  | VCEASY1CN477MY | AD         |          | J             | Capacitor 470 16V Electrolytic |
| C504  | RC-KZA237WJZZY | AB         |          | J             | Capacitor 10 16V Ceramic       |
| C505  | RC-KZA237WJZZY | AB         |          | J             | Capacitor 10 16V Ceramic       |
| C506  | RC-KZA237WJZZY | AB         |          | J             | Capacitor 10 16V Ceramic       |
| C507  | VCKYCY1HF103ZY | AA         |          | J             | Capacitor 0.01 50V Ceramic     |
| C511  | VCCCCY1HH101JY | AA         |          | J             | Capacitor 100p 50V Ceramic     |
| C512  | VCCCCY1HH101JY | AA         |          | J             | Capacitor 100p 50V Ceramic     |
| C513  | RC-KZA237WJZZY | AB         |          | J             | Capacitor 10 16V Ceramic       |
| C514  | RC-KZA237WJZZY | AB         |          | J             | Capacitor 10 16V Ceramic       |
| C515  | RC-KZA237WJZZY | AB         |          | J             | Capacitor 10 16V Ceramic       |
| C516  | VCKYTV1CB105KY | AC         |          | J             | Capacitor 1 16V Ceramic        |
| C517  | VCEASY1CN477MY | AD         |          | J             | Capacitor 470 16V Electrolytic |
| C518  | RC-KZA237WJZZY | AB         |          | J             | Capacitor 10 16V Ceramic       |
| C519  | RC-KZA237WJZZY | AB         |          | J             | Capacitor 10 16V Ceramic       |
| C524  | RC-KZA237WJZZY | AB         |          | J             | Capacitor 10 16V Ceramic       |
| C525  | VCKYCY1EF104ZY | AA         |          | J             | Capacitor 0.1 25V Ceramic      |
| C528  | VCKYTV1CB105KY | AC         |          | J             | Capacitor 1 16V Ceramic        |
| C531  | RC-KZA237WJZZY | AB         |          | J             | Capacitor 10 16V Ceramic       |
| C532  | RC-KZA237WJZZY | AB         |          | J             | Capacitor 10 16V Ceramic       |
| C533  | RC-KZA237WJZZY | AB         |          | J             | Capacitor 10 16V Ceramic       |
| C534  | VCKYCY1HB103KY | AA         |          | J             | Capacitor 0.01 50V Ceramic     |
| C538  | VCKYCY1HB221KY | AA         |          | J             | Capacitor 220p 50V Ceramic     |
| C540  | VCKYCY1HF103ZY | AA         |          | J             | Capacitor 0.01 50V Ceramic     |
| C541  | VCKYCY1HB331KY | AA         |          | J             | Capacitor 330p 50V Ceramic     |
| C542  | VCKYCY1HB331KY | AA         |          | J             | Capacitor 330p 50V Ceramic     |
| C543  | VCKYCY1HB331KY | AA         |          | J             | Capacitor 330p 50V Ceramic     |
| C544  | VCKYCY1HB331KY | AA         |          | J             | Capacitor 330p 50V Ceramic     |
| C545  | VCKYCY1HB471KY | AA         |          | J             | Capacitor 470p 50V Ceramic     |
| C546  | VCKYCY1HB471KY | AA         |          | J             | Capacitor 470p 50V Ceramic     |
| C547  | VCKYCY1HB471KY | AA         |          | J             | Capacitor 470p 50V Ceramic     |
| C548  | VCKYCY1HB471KY | AA         |          | J             | Capacitor 470p 50V Ceramic     |
| C549  | VCCCCY1HH101JY | AA         |          | J             | Capacitor 100p 50V Ceramic     |
| C550  | VCCCCY1HH101JY | AA         |          | J             | Capacitor 100p 50V Ceramic     |
| C551  | VCCCCY1HH101JY | AA         |          | J             | Capacitor 100p 50V Ceramic     |
| C552  | VCCCCY1HH101JY | AA         |          | J             | Capacitor 100p 50V Ceramic     |
| C553  | VCKYCY1HB102KY | AA         |          | J             | Capacitor 1000p 50V Ceramic    |
| C554  | VCKYCY1HB102KY | AA         |          | J             | Capacitor 1000p 50V Ceramic    |
| C555  | RC-KZA237WJZZY | AB         |          | J             | Capacitor 10 16V Ceramic       |
| C556  | RC-KZA237WJZZY | AB         |          | J             | Capacitor 10 16V Ceramic       |
| C557  | RC-KZA237WJZZY | AB         |          | J             | Capacitor 10 16V Ceramic       |
| C558  | RC-KZA237WJZZY | AB         |          | J             | Capacitor 10 16V Ceramic       |
| C559  | VCKYCY1EF104ZY | AA         |          | J             | Capacitor 0.1 25V Ceramic      |
| C560  | VCKYCY1HB102KY | AA         |          | J             | Capacitor 1000p 50V Ceramic    |
| C561  | VCKYCY1HB102KY | AA         |          | J             | Capacitor 1000p 50V Ceramic    |
| C562  | VCKYTV1CB105KY | AC         |          | J             | Capacitor 1 16V Ceramic        |
| C563  | VCKYTV1CB105KY | AC         |          | J             | Capacitor 1 16V Ceramic        |
| C564  | RC-KZA237WJZZY | AB         |          | J             | Capacitor 10 16V Ceramic       |
| C565  | RC-KZA237WJZZY | AB         |          | J             | Capacitor 10 16V Ceramic       |
| C566  | RC-KZA237WJZZY | AB         |          | J             | Capacitor 10 16V Ceramic       |
| C567  | RC-KZA237WJZZY | AB         |          | J             | Capacitor 10 16V Ceramic       |
| C568  | VCKYTV1CB105KY | AC         |          | J             | Capacitor 1 16V Ceramic        |
| C569  | VCKYTV1CB105KY | AC         |          | J             | Capacitor 1 16V Ceramic        |
| C571  | VCKYCY1HB102KY | AA         |          | J             | Capacitor 1000p 50V Ceramic    |
| C572  | VCERM21CN107MY | AD         |          | J             | Capacitor 100 16V Electrolytic |
| C574  | VCKYTV1CB105KY | AC         |          | J             | Capacitor 1 16V Ceramic        |
| C575  | VCKYCY1EF104ZY | AA         |          | J             | Capacitor 0.1 25V Ceramic      |
| C577  | VCKYTV1CB105KY | AC         |          | J             | Capacitor 1 16V Ceramic        |
| C578  | VCKYTV1CB105KY | AC         |          | J             | Capacitor 1 16V Ceramic        |
| C579  | VCERML1CN226MY | AC         |          | J             | Resistor 220 1/16W Metal Oxide |
| C580  | VCKYTV1CB105KY | AC         |          | J             | Capacitor 1 16V Ceramic        |
| C581  | VCKYTV1CB105KY | AC         |          | J             | Capacitor 1 16V Ceramic        |
| C582  | VCCCCY1HH560JY | AB         |          | J             | Capacitor 56p 50V Ceramic      |
| C583  | VCKYCY1HB102KY | AA         |          | J             | Capacitor 1000p 50V Ceramic    |

LC-42XL2E/S/RU, LC-46XL2E/S/RU, LC-46X20E/S/RU, LC-52XL2E/S/RU, LC-52X20E/S/RU

| NO.   | PARTS CODE     | PRICE RANK | NEW MARK | PART DELIVERY | DESCRIPTION                     |
|---|----------------|------------|----------|---------------|---------------------------------|
| <b>[4] DUNTKE187FM01/FM02 (TERMINAL Unit)</b> |                |            |          |               |                                 |
| C584  | VCKYTV1CB105KY | AC         |          | J             | Capacitor 1 16V Ceramic         |
| C585  | VCCCCY1HH560JY | AB         |          | J             | Capacitor 56p 50V Ceramic       |
| C586  | VCKYCY1HB102KY | AA         |          | J             | Capacitor 1000p 50V Ceramic     |
| C587  | VCEASX0JN227MY | AC         |          | J             | Capacitor 220 6.3V Electrolytic |
| C588  | VCKYTV1CB105KY | AC         |          | J             | Capacitor 1 16V Ceramic         |
| C589  | VCKYCY1HB103KY | AA         |          | J             | Capacitor 0.01 50V Ceramic      |
| C592  | VCKYCY1EF104ZY | AA         |          | J             | Capacitor 0.1 25V Ceramic       |
| C593  | VCKYTV1CB105KY | AC         |          | J             | Capacitor 1 16V Ceramic         |
| C600  | VCKYTV1CB105KY | AC         |          | J             | Capacitor 1 16V Ceramic         |
| C601  | VCKYCY1EF104ZY | AA         |          | J             | Capacitor 0.1 25V Ceramic       |
| C602  | VCKYCY1EF104ZY | AA         |          | J             | Capacitor 0.1 25V Ceramic       |
| C603  | VCCCCY1HH330JY | AA         |          | J             | Capacitor 33p 50V Ceramic       |
| C604  | VCCCCY1HH330JY | AA         |          | J             | Capacitor 33p 50V Ceramic       |
| C605  | VCKYTV1CB105KY | AC         |          | J             | Capacitor 1 16V Ceramic         |
| C606  | RC-KZA154WJZZY | AB         |          | J             | Capacitor 4.7 16V Ceramic       |
| C607  | VCCCCY1HH101JY | AA         |          | J             | Capacitor 100p 50V Ceramic      |
| C610  | VCKYCY1EF104ZY | AA         |          | J             | Capacitor 0.1 25V Ceramic       |
| C612  | VCKYTV1CB105KY | AC         |          | J             | Capacitor 1 16V Ceramic         |
| C613  | RC-KZA154WJZZY | AB         |          | J             | Capacitor 4.7 16V Ceramic       |
| C614  | VCCCCY1HH101JY | AA         |          | J             | Capacitor 100p 50V Ceramic      |
| C615  | RC-KZA237WJZZY | AB         |          | J             | Capacitor 10 16V Ceramic        |
| C617  | VCKYCY1EF104ZY | AA         |          | J             | Capacitor 0.1 25V Ceramic       |
| C620  | RC-KZA237WJZZY | AB         |          | J             | Capacitor 10 16V Ceramic        |
| C621  | RC-KZA237WJZZY | AB         |          | J             | Capacitor 10 16V Ceramic        |
| C622  | RC-KZA237WJZZY | AB         |          | J             | Capacitor 10 16V Ceramic        |
| C1301   | RC-KZA030WJZZY | AA         |          | J             | Capacitor 2.2 10V Ceramic       |
| C1302   | RC-KZA030WJZZY | AA         |          | J             | Capacitor 2.2 10V Ceramic       |
| C1306   | VCKYCY1AB105KY | AB         |          | J             | Capacitor 1 10V Ceramic         |
| C1307   | VCKYCY1AB105KY | AB         |          | J             | Capacitor 1 10V Ceramic         |
| C1308   | VCKYCY1HB102KY | AA         |          | J             | Capacitor 1000p 50V Ceramic     |
| C1309   | VCKYCY1HB102KY | AA         |          | J             | Capacitor 1000p 50V Ceramic     |
| C1311   | VCKYCY1AB105KY | AB         |          | J             | Capacitor 1 10V Ceramic         |
| C1312   | VCKYCY1AB105KY | AB         |          | J             | Capacitor 1 10V Ceramic         |
| C1313   | VCKYCY1AB105KY | AB         |          | J             | Capacitor 1 10V Ceramic         |
| C1314   | VGERMZ1EN477MY | AE         |          | J             | Capacitor 470 25V Electrolytic  |
| C1315   | VCKYCY1EF104ZY | AA         |          | J             | Capacitor 0.1 25V Ceramic       |
| C1316   | RC-KZA114WJZZY | AB         |          | J             | Capacitor 1 25V Ceramic         |
| C1317   | RC-KZA114WJZZY | AB         |          | J             | Capacitor 1 25V Ceramic         |
| C1318   | RC-KZA046WJZZY | AC         |          | J             | Capacitor 1 50V Ceramic         |
| C1319   | RC-KZA046WJZZY | AC         |          | J             | Capacitor 1 50V Ceramic         |
| C1320   | RC-KZA046WJZZY | AC         |          | J             | Capacitor 1 50V Ceramic         |
| C1321   | RC-KZA046WJZZY | AC         |          | J             | Capacitor 1 50V Ceramic         |
| C1328   | VCKYCY1HB102KY | AA         |          | J             | Capacitor 1000p 50V Ceramic     |
| C1329   | RC-KZA114WJZZY | AB         |          | J             | Capacitor 1 25V Ceramic         |
| C1330   | RC-KZA114WJZZY | AB         |          | J             | Capacitor 1 25V Ceramic         |
| C1402   | VCEASX0JN476MY | AC         |          | J             | Capacitor 47 6.3V Electrolytic  |
| C1404   | VCKYCY1HB102KY | AA         |          | J             | Capacitor 1000p 50V Ceramic     |
| C1405   | VCKYCY1EF104ZY | AA         |          | J             | Capacitor 0.1 25V Ceramic       |
| C1406   | VCKYCY1EF104ZY | AA         |          | J             | Capacitor 0.1 25V Ceramic       |
| C1407   | VCKYCY1EF104ZY | AA         |          | J             | Capacitor 0.1 25V Ceramic       |
| C1408   | VCCCCY1HH7R0DY | AA         |          | J             | Capacitor 70p 50V Ceramic       |
| C1409   | VCKYCY1EF104ZY | AA         |          | J             | Capacitor 0.1 25V Ceramic       |
| C1410   | RC-KZA237WJZZY | AB         |          | J             | Capacitor 10 16V Ceramic        |
| C1411   | VCCCCY1HH7R0DY | AA         |          | J             | Capacitor 70p 50V Ceramic       |
| C1412   | VCKYCY1EF104ZY | AA         |          | J             | Capacitor 0.1 25V Ceramic       |
| C1413   | RC-KZA237WJZZY | AB         |          | J             | Capacitor 10 16V Ceramic        |
| C1414   | RC-KZA237WJZZY | AB         |          | J             | Capacitor 10 16V Ceramic        |
| C1415   | VCKYCY1EF104ZY | AA         |          | J             | Capacitor 0.1 25V Ceramic       |
| C1416   | RC-KZA237WJZZY | AB         |          | J             | Capacitor 10 16V Ceramic        |
| C1417   | VCKYCY1EF104ZY | AA         |          | J             | Capacitor 0.1 25V Ceramic       |
| C1418   | VCKYCY1HB103KY | AA         |          | J             | Capacitor 0.01 50V Ceramic      |
| C1419   | VCCCCY1HH270JY | AA         |          | J             | Capacitor 27p 50V Ceramic       |
| C1420   | VCCCCY1HH330JY | AA         |          | J             | Capacitor 33p 50V Ceramic       |
| C1421   | VCKYCY1EF104ZY | AA         |          | J             | Capacitor 0.1 25V Ceramic       |
| C1422   | RC-KZA237WJZZY | AB         |          | J             | Capacitor 10 16V Ceramic        |
| C1423   | VCKYTV1CB105KY | AC         |          | J             | Capacitor 1 16V Ceramic         |
| C1424   | VCKYCY1EF104ZY | AA         |          | J             | Capacitor 0.1 25V Ceramic       |
| C1425   | RC-KZA237WJZZY | AB         |          | J             | Capacitor 10 16V Ceramic        |
| C1426   | VCKYCY1EF104ZY | AA         |          | J             | Capacitor 0.1 25V Ceramic       |
| C1427   | VCKYTV1CB105KY | AC         |          | J             | Capacitor 1 16V Ceramic         |
| C1428   | VCKYTV1CB105KY | AC         |          | J             | Capacitor 1 16V Ceramic         |
| C1429   | VCCCCY1HH330JY | AA         |          | J             | Capacitor 33p 50V Ceramic       |
| C1430   | VCKYTV1CB105KY | AC         |          | J             | Capacitor 1 16V Ceramic         |
| C1431   | VCCCCY1HH330JY | AA         |          | J             | Capacitor 33p 50V Ceramic       |
| C1432   | VCKYCY1EF104ZY | AA         |          | J             | Capacitor 0.1 25V Ceramic       |
| C1433   | VCKYCY1EF104ZY | AA         |          | J             | Capacitor 0.1 25V Ceramic       |
| C1434   | RC-KZA237WJZZY | AB         |          | J             | Capacitor 10 16V Ceramic        |
| C1435   | RC-KZA154WJZZY | AB         |          | J             | Capacitor 4.7 16V Ceramic       |
| C1436   | VCKYTV1CB105KY | AC         |          | J             | Capacitor 1 16V Ceramic         |
| C1437   | VCKYCY1EF104ZY | AA         |          | J             | Capacitor 0.1 25V Ceramic       |
| C1438   | VCKYTV1CB105KY | AC         |          | J             | Capacitor 1 16V Ceramic         |
| C1439   | VCKYTV1CB105KY | AC         |          | J             | Capacitor 1 16V Ceramic         |
| C1440   | VCKYTV1CB105KY | AC         |          | J             | Capacitor 1 16V Ceramic         |
| C1441   | VCKYTV1CB105KY | AC         |          | J             | Capacitor 1 16V Ceramic         |
| C1442   | VCKYTV1CB105KY | AC         |          | J             | Capacitor 1 16V Ceramic         |

LC-42XL2E/S/RU, LC-46XL2E/S/RU, LC-46X20E/S/RU, LC-52XL2E/S/RU, LC-52X20E/S/RU

| NO.   | PARTS CODE     | PRICE RANK | NEW MARK | PART DELIVERY | DESCRIPTION                    |
|---|----------------|------------|----------|---------------|--------------------------------|
| <b>[4] DUNTKE187FM01/FM02 (TERMINAL Unit)</b> |                |            |          |               |                                |
| C1443   | RC-KZA237WJZZY | AB         |          | J             | Capacitor 10 16V Ceramic       |
| C1444   | VCKYCY1EF104ZY | AA         |          | J             | Capacitor 0.1 25V Ceramic      |
| C1445   | VCKYCY1EF104ZY | AA         |          | J             | Capacitor 0.1 25V Ceramic      |
| C1446   | VCKYCY1EF104ZY | AA         |          | J             | Capacitor 0.1 25V Ceramic      |
| C1447   | RC-KZA237WJZZY | AB         |          | J             | Capacitor 10 16V Ceramic       |
| C1448   | VCKYTV1CB105KY | AC         |          | J             | Capacitor 1 16V Ceramic        |
| C1449   | VCKYTV1CB105KY | AC         |          | J             | Capacitor 1 16V Ceramic        |
| C1450   | VCCCCY1HH100DY | AA         |          | J             | Capacitor 10p 50V Ceramic      |
| C1451   | VCKYCY1EF104ZY | AA         |          | J             | Capacitor 0.1 25V Ceramic      |
| C1452   | VCKYTV1CB105KY | AC         |          | J             | Capacitor 1 16V Ceramic        |
| C1453   | VCKYCY1EF104ZY | AA         |          | J             | Capacitor 0.1 25V Ceramic      |
| C1454   | RC-KZA237WJZZY | AB         |          | J             | Capacitor 10 16V Ceramic       |
| C1455   | RC-KZA009WJZZY | AB         |          | R             | Capacitor 2.2 6.3V Ceramic     |
| C1456   | VCERMZ1CN107MY | AD         |          | J             | Capacitor 100 16V Electrolytic |
| C1457   | VCERMZ1CN107MY | AD         |          | J             | Capacitor 100 16V Electrolytic |
| C1458   | VCKYCY1EF104ZY | AA         |          | J             | Capacitor 0.1 25V Ceramic      |
| C1459   | VCCCCY1HH101JY | AA         |          | J             | Capacitor 100p 50V Ceramic     |
| C1460   | VCERMZ1CN107MY | AD         |          | J             | Capacitor 100 16V Electrolytic |
| C1461   | VCCCCY1HH101JY | AA         |          | J             | Capacitor 100p 50V Ceramic     |
| C1462   | VCKYCY1EF104ZY | AA         |          | J             | Capacitor 0.1 25V Ceramic      |
| C1463   | VCERMZ1CN107MY | AD         |          | J             | Capacitor 100 16V Electrolytic |
| C1464   | VCKYTV1CB105KY | AC         |          | J             | Capacitor 1 16V Ceramic        |
| C1465   | VCKYTV1CB105KY | AC         |          | J             | Capacitor 1 16V Ceramic        |
| C1466   | VCKYTV1CB105KY | AC         |          | J             | Capacitor 1 16V Ceramic        |
| C1467   | VCKYTV1CB105KY | AC         |          | J             | Capacitor 1 16V Ceramic        |
| C1468   | VCKYCY1EF104ZY | AA         |          | J             | Capacitor 0.1 25V Ceramic      |
| C7501   | VCEASX1AN336MY | AC         |          | J             | Capacitor 33 10V Electrolytic  |
| C7502   | RC-KZA237WJZZY | AB         |          | J             | Capacitor 10 16V Ceramic       |
| C7503   | VCKYCY1EF104ZY | AA         |          | J             | Capacitor 0.1 25V Ceramic      |
| C7504   | VCKYCY1HB103KY | AA         |          | J             | Capacitor 0.01 50V Ceramic     |
| C7507   | VCEASX1CN477MY | AE         |          | J             | Capacitor 470 16V Electrolytic |
| C7508   | VCKYCY1HB103KY | AA         |          | J             | Capacitor 0.01 50V Ceramic     |
| C7509   | VCKYCY1HB103KY | AA         |          | J             | Capacitor 0.01 50V Ceramic     |
| C7510   | VCKYCY1HB102KY | AA         |          | J             | Capacitor 1000p 50V Ceramic    |
| C7511   | VCEASX1CN107MY | AC         |          | J             | Capacitor 100 16V Electrolytic |
| C7514   | VCCCCY1HH101JY | AA         |          | J             | Capacitor 100p 50V Ceramic     |
| C7515   | VCKYCY1EF104ZY | AA         |          | J             | Capacitor 0.1 25V Ceramic      |
| C7516   | VCKYCY1HB103KY | AA         |          | J             | Capacitor 0.01 50V Ceramic     |
| C7517   | RC-KZA237WJZZY | AB         |          | J             | Capacitor 10 16V Ceramic       |
| C7518   | VCKYCY1HB103KY | AA         |          | J             | Capacitor 0.01 50V Ceramic     |
| C7519   | VCKYCY1HB103KY | AA         |          | J             | Capacitor 0.01 50V Ceramic     |
| C7520   | VCKYCY1HB103KY | AA         |          | J             | Capacitor 0.01 50V Ceramic     |
| C7521   | VCKYCY1EF104ZY | AA         |          | J             | Capacitor 0.1 25V Ceramic      |
| C7522   | RC-KZA237WJZZY | AB         |          | J             | Capacitor 10 16V Ceramic       |
| C7523   | VCKYCY1HB103KY | AA         |          | J             | Capacitor 0.01 50V Ceramic     |
| C7524   | VCKYCY1HB103KY | AA         |          | J             | Capacitor 0.01 50V Ceramic     |
| C7525   | VCKYCY1EF104ZY | AA         |          | J             | Capacitor 0.1 25V Ceramic      |
| C7526   | VCKYCY1HB103KY | AA         |          | J             | Capacitor 0.01 50V Ceramic     |
| C7527   | VCCCCY1HH121JY | AA         |          | J             | Capacitor 120p 50V Ceramic     |
| C7528   | VCKYCY1HB103KY | AA         |          | J             | Capacitor 0.01 50V Ceramic     |
| C7529   | VCEASX1CN107MY | AC         |          | J             | Capacitor 100 16V Electrolytic |
| C7530   | VCKYCY1EF104ZY | AA         |          | J             | Capacitor 0.1 25V Ceramic      |
| C7532   | VCKYTV1CB224KY | AB         |          | J             | Capacitor 0.22 16V Ceramic     |
| C7533   | VCCCCY1HH391JY | AB         |          | J             | Capacitor 390p 50V Ceramic     |
| C7535   | VCKYCY1HB152KY | AA         |          | J             | Capacitor 1500p 50V Ceramic    |
| C7536   | VCEASX1AN227MY | AD         |          | J             | Capacitor 220 10V Electrolytic |
| C7537   | VCCCCY1HH180JY | AA         |          | J             | Capacitor 18p 50V Ceramic      |
| C7538   | VCKYTV1CB474KY | AC         |          | J             | Capacitor 0.47 16V Ceramic     |
| C7540   | VCKYCY1EF104ZY | AA         |          | J             | Capacitor 0.1 25V Ceramic      |
| C7541   | VCKYCY1HB102KY | AA         |          | J             | Capacitor 1000p 50V Ceramic    |
| C7542   | VCKYCY1HB103KY | AA         |          | J             | Capacitor 0.01 50V Ceramic     |
| C7543   | VCCCCY1HH4R0CY | AA         |          | J             | Capacitor 40p 50V Ceramic      |
| C7544   | VCEASX1CN106MY | AC         |          | J             | Capacitor 10 16V Electrolytic  |
| C7547   | VCKYCY1HB103KY | AA         |          | J             | Capacitor 0.01 50V Ceramic     |
| C7548   | VCEASX1CN106MY | AC         |          | J             | Capacitor 10 16V Electrolytic  |
| C7550   | RC-KZA237WJZZY | AB         |          | J             | Capacitor 10 16V Ceramic       |
| C7552   | VCKYCY1EF104ZY | AA         |          | J             | Capacitor 0.1 25V Ceramic      |
| C7553   | VCKYCY1EF104ZY | AA         |          | J             | Capacitor 0.1 25V Ceramic      |
| C7554   | VCKYCY1EF104ZY | AA         |          | J             | Capacitor 0.1 25V Ceramic      |
| C7556   | VCKYCY1EF104ZY | AA         |          | J             | Capacitor 0.1 25V Ceramic      |
| C7560   | VCCCCY1HH220JY | AA         |          | J             | Capacitor 22p 50V Ceramic      |
| C7561   | VCCCCY1HH270JY | AA         |          | J             | Capacitor 27p 50V Ceramic      |
| C7564   | VCKYCY1EF104ZY | AA         |          | J             | Capacitor 0.1 25V Ceramic      |
| C7566   | VCKYCY1EF104ZY | AA         |          | J             | Capacitor 0.1 25V Ceramic      |
| C7568   | VCKYCY1HB222KY | AA         |          | J             | Capacitor 2200p 50V Ceramic    |
| C7572   | VCKYCY1EF104ZY | AA         |          | J             | Capacitor 0.1 25V Ceramic      |
| C7573   | RC-KZA237WJZZY | AB         |          | J             | Capacitor 10 16V Ceramic       |
| C7574   | VCKYCY1EF104ZY | AA         |          | J             | Capacitor 0.1 25V Ceramic      |
| C7575   | RC-KZA237WJZZY | AB         |          | J             | Capacitor 10 16V Ceramic       |
| C7576   | VCKYCY1EF104ZY | AA         |          | J             | Capacitor 0.1 25V Ceramic      |
| C7577   | VCKYCY1EF104ZY | AA         |          | J             | Capacitor 0.1 25V Ceramic      |
| C7580   | RC-KZA237WJZZY | AB         |          | J             | Capacitor 10 16V Ceramic       |
| D405  | VHDB055L40-1Y  | AC         |          | J             | Diode RB055L-40TE25            |
| D408  | VHD1SS390+-1Y  | AB         |          | J             | Diode 1SS390TE61               |
| D409  | VHD1SS355/-1Y  | AB         |          | J             | Diode 1SS355TE-17              |

LC-42XL2E/S/RU, LC-46XL2E/S/RU, LC-46X20E/S/RU, LC-52XL2E/S/RU, LC-52X20E/S/RU

| NO.   | PARTS CODE       | PRICE RANK | NEW MARK | PART DELIVERY | DESCRIPTION                 |
|---|------------------|------------|----------|---------------|-----------------------------|
| <b>[4] DUNTKE187FM01/FM02 (TERMINAL Unit)</b> |                  |            |          |               |                             |
| D411  | RH-EX1395CEZZY   | AC         |          | J             | Zener Diode UDZSNPTE-176.2B |
| D501  | VHPGPFM513T-1    | AH         |          | J             | PHOTODIODE                  |
| D502  | RH-EXA512WJZZY   | AB         |          | R             | Zener Diode MAZ8039GHL      |
| D503  | RH-EXA512WJZZY   | AB         |          | R             | Zener Diode MAZ8039GHL      |
| D504  | RH-EXA512WJZZY   | AB         |          | R             | Zener Diode MAZ8039GHL      |
| D505  | RH-EXA520WJZZY   | AB         |          | R             | Zener Diode MAZ8051GML      |
| D506  | RH-EXA512WJZZY   | AB         |          | R             | Zener Diode MAZ8039GHL      |
| D507  | RH-EXA512WJZZY   | AB         |          | R             | Zener Diode MAZ8039GHL      |
| D508  | RH-EXA512WJZZY   | AB         |          | R             | Zener Diode MAZ8039GHL      |
| D509  | RH-EXA520WJZZY   | AB         |          | R             | Zener Diode MAZ8051GML      |
| D511  | RH-EXA520WJZZY   | AB         |          | R             | Zener Diode MAZ8051GML      |
| D512  | RH-EX0265TAZZY   | AB         |          | J             | Zener Diode PDZ10B,115      |
| D513  | RH-EXA554WJZZY   | AB         |          | R             | Zener Diode MAZ8150GML      |
| D517  | RH-EXA512WJZZY   | AB         |          | R             | Zener Diode MAZ8039GHL      |
| D518  | RH-EXA520WJZZY   | AB         |          | R             | Zener Diode MAZ8051GML      |
| D519  | RH-EXA512WJZZY   | AB         |          | R             | Zener Diode MAZ8039GHL      |
| D520  | RH-EXA554WJZZY   | AB         |          | R             | Zener Diode MAZ8150GML      |
| D521  | VHDDAN222//--1Y  | AA         |          | J             | Diode DAN222TL              |
| D522  | RH-EXA550WJZZY   | AB         |          | R             | Zener Diode MAZ8130GML      |
| D523  | RH-EXA535WJZZY   | AM         |          | R             | Zener Diode MAZ8082GML      |
| D524  | RH-EXA535WJZZY   | AM         |          | R             | Zener Diode MAZ8082GML      |
| D525  | RH-EXA535WJZZY   | AM         |          | R             | Zener Diode MAZ8082GML      |
| D526  | RH-EXA535WJZZY   | AM         |          | R             | Zener Diode MAZ8082GML      |
| D541  | RH-EX0265TAZZY   | AB         |          | J             | Zener Diode PDZ10B,115      |
| D542  | RH-EX0265TAZZY   | AB         |          | J             | Zener Diode PDZ10B,115      |
| D543  | RH-EX0265TAZZY   | AB         |          | J             | Zener Diode PDZ10B,115      |
| D544  | RH-EX0265TAZZY   | AB         |          | J             | Zener Diode PDZ10B,115      |
| D545  | RH-EX0265TAZZY   | AB         |          | J             | Zener Diode PDZ10B,115      |
| D546  | RH-EX0265TAZZY   | AB         |          | J             | Zener Diode PDZ10B,115      |
| D548  | RH-EX0265TAZZY   | AB         |          | J             | Zener Diode PDZ10B,115      |
| D550  | RH-EX0265TAZZY   | AB         |          | J             | Zener Diode PDZ10B,115      |
| D551  | VHD1PS184++-1Y   | AB         |          | J             | Diode 1PS184,115            |
| D7501   | VHD1SS390++-1Y   | AB         |          | J             | Diode 1SS390TE61            |
| D7503   | VHD1SS390++-1Y   | AB         |          | J             | Diode 1SS390TE61            |
| D7504   | VHD1SS390++-1Y   | AB         |          | J             | Diode 1SS390TE61            |
| D7505   | VHD1SS390++-1Y   | AB         |          | J             | Diode 1SS390TE61            |
| D7506   | VHD1SS390++-1Y   | AB         |          | J             | Diode 1SS390TE61            |
| FB401   | RBLN-0253TAZZY   | AA         |          | J             | Balun BLN-0253TA            |
| FB402   | RBLN-0207TAZZY   | AB         |          | J             | Balun BLN-0207TA            |
| FB404   | RBLN-0253TAZZY   | AA         |          | J             | Balun BLN-0253TA            |
| FB406   | RBLN-0207TAZZY   | AB         |          | J             | Balun BLN-0207TA            |
| FB501   | RBLN-0077TAZZY   | AB         |          | J             | Balun BLN-0077TA            |
| FB502   | RBLN-0077TAZZY   | AB         |          | J             | Balun BLN-0077TA            |
| FB503   | RBLN-0077TAZZY   | AB         |          | J             | Balun BLN-0077TA            |
| FB504   | RBLN-0077TAZZY   | AB         |          | J             | Balun BLN-0077TA            |
| FB505   | RBLN-0077TAZZY   | AB         |          | J             | Balun BLN-0077TA            |
| FB506   | RBLN-0077TAZZY   | AB         |          | J             | Balun BLN-0077TA            |
| FB507   | RBLN-0077TAZZY   | AB         |          | J             | Balun BLN-0077TA            |
| FB508   | RBLN-0077TAZZY   | AB         |          | J             | Balun BLN-0077TA            |
| FB509   | RBLN-0065TAZZY   | AA         |          | J             | Balun BLN-0065TA            |
| FB510   | RBLN-0077TAZZY   | AB         |          | J             | Balun BLN-0077TA            |
| FB511   | RBLN-0077TAZZY   | AB         |          | J             | Balun BLN-0077TA            |
| FB512   | RBLN-0077TAZZY   | AB         |          | J             | Balun BLN-0077TA            |
| FB513   | RBLN-0077TAZZY   | AB         |          | J             | Balun BLN-0077TA            |
| FB514   | RBLN-0077TAZZY   | AB         |          | J             | Balun BLN-0077TA            |
| FB515   | RBLN-0077TAZZY   | AB         |          | J             | Balun BLN-0077TA            |
| FB516   | RBLN-0077TAZZY   | AB         |          | J             | Balun BLN-0077TA            |
| FB517   | RBLN-0077TAZZY   | AB         |          | J             | Balun BLN-0077TA            |
| FB518   | RBLN-0065TAZZY   | AA         |          | J             | Balun BLN-0065TA            |
| FB519   | RBLN-A188WJZZY   | AA         |          | J             | Balun BLN-A188WJ            |
| FB520   | RBLN-A204WJZZY   | AA         |          | J             | Balun BLN-A204WJ            |
| FB521   | RBLN-A204WJZZY   | AA         |          | J             | Balun BLN-A204WJ            |
| FB522   | RBLN-A204WJZZY   | AA         |          | J             | Balun BLN-A204WJ            |
| FB523   | RBLN-A204WJZZY   | AA         |          | J             | Balun BLN-A204WJ            |
| FB524   | RBLN-A204WJZZY   | AA         |          | J             | Balun BLN-A204WJ            |
| FB1401  | RBLN-0253TAZZY   | AA         |          | J             | Balun BLN-0253TA            |
| FB1403  | RBLN-0253TAZZY   | AA         |          | J             | Balun BLN-0253TA            |
| FB7501  | RBLN-0210TAZZY   | AB         |          | J             | Balun BLN-0210TA            |
| FL501   | RF i LN0017TAZZY | AC         |          | J             | Filter                      |
| FL502   | RF i LN0017TAZZY | AC         |          | J             | Filter                      |
| FL503   | RF i LN0017TAZZY | AC         |          | J             | Filter                      |
| FL504   | RF i LN0017TAZZY | AC         |          | J             | Filter                      |
| FL505   | RF i LN0017TAZZY | AC         |          | J             | Filter                      |
| FL506   | RF i LN0017TAZZY | AC         |          | J             | Filter                      |
| FL507   | RF i LN0017TAZZY | AC         |          | J             | Filter                      |
| FL508   | RF i LN0017TAZZY | AC         |          | J             | Filter                      |
| FL509   | RF i LN0017TAZZY | AC         |          | J             | Filter                      |
| FL510   | RF i LN0017TAZZY | AC         |          | J             | Filter                      |
| FL511   | RF i LN0003TAZZY | AD         |          | J             | Filter                      |
| FL512   | RF i LN0003TAZZY | AD         |          | J             | Filter                      |
| FL513   | RF i LN0003TAZZY | AD         |          | J             | Filter                      |
| FL7501  | RF i LC0294BMZZ  | AA         |          | J             | Filter                      |
| FL7502  | RF i LC0278BMZZ  | AM         |          | J             | Filter                      |
| IC402   | VH i BD9305AF-1Y | AK         |          | R             | IC BD9305AFVM-TR            |
| IC403   | VH i BH15LB1G-1Y | AD         |          | J             | IC BH15LB1WG-TR             |

LC-42XL2E/S/RU, LC-46XL2E/S/RU, LC-46X20E/S/RU, LC-52XL2E/S/RU, LC-52X20E/S/RU

| NO.   | PARTS CODE      | PRICE RANK | NEW MARK | PART DELIVERY | DESCRIPTION                     |
|---|-----------------|------------|----------|---------------|---------------------------------|
| <b>[4] DUNTKE187FM01/FM02 (TERMINAL Unit)</b> |                 |            |          |               |                                 |
| IC404   | VHiPQ200WNA-1Y  | AG         |          | J             | IC PQ200WNA1ZPH                 |
| IC405   | VHiPQ033DNA-1Y  | AE         |          | J             | IC PQ033DNA1ZPH                 |
| IC406   | VHiPQ1R50// -1Y | AF         |          | J             | IC PQ1R50J0000H                 |
| IC501   | VHiMM1507XN-1Y  | AD         |          | J             | IC MM1507XNRE                   |
| IC502   | VHiT7SET08U1EY  | AC         |          | J             | IC TC7SET08FU(5L,JF,T           |
| IC503   | VHiMM1506XN-1Y  | AD         |          | J             | IC MM1506XNRE                   |
| IC505   | VHiTC7W53U/-1Y  | AF         |          | J             | IC TC7W53FU(TE12L,F)            |
| IC506   | VHiMM3151XQ-1Q  | AT         |          | J             | IC MM3151XQ                     |
| IC1301  | VHiYDA147SZ-1Y  | AM         |          | J             | IC YDA147-SZE2                  |
| IC1401  | RH-iXC201WJQZY  | AQ         | N        | R             | IC 24LC256-I/SN-G-GW1130T       |
| IC1402  | VHiR2S15500-1Y  | AW         | N        | R             | IC R2S15500SP                   |
| IC1403  | VHiTAS3108D-1Y  | AS         |          | J             | IC TAS3108DCPR                  |
| IC1404  | VHiAK4683EQ-1Q  | AR         |          | J             | IC AK4683EQ                     |
| IC1405  | VHiNJM4565V-1Y  | AF         |          | J             | IC NJM4565V-TE1                 |
| IC1406  | VHiLVC1G66W-1Y  | AC         | N        | R             | IC 74LVC1G66GW.125              |
| IC1407  | VHiNJM2746V-1Y  | AG         | N        | R             | IC NJM2746V(TE1)                |
| IC7501  | VHiTC7W53U/-1Y  | AF         |          | J             | IC TC7W53FU(TE12L,F)            |
| IC7503  | VHiPQ1M185M-1Y  | AD         |          | J             | IC PQ1M185M2SPQ                 |
| IC7504  | VHiTDA9886+-1Y  | AQ         |          | J             | IC TDA9886TSV4                  |
| IC7506  | VSSSM6J51TU-1Y  | AF         |          | J             | IC Transistor IC SSM6J51TU      |
| IC7507  | VHiCE6353+-1Q   | AY         |          | R             | IC WJCE6353 882206              |
| IC7508  | VHiBA7655AF-1Y  | AG         |          | J             | IC BA7655AF-T1                  |
| IC7510  | VHiTC4052BT-1Y  | AF         |          | J             | IC TC4052BFT(EL,N,M)            |
| J502  | QJAKFA044WJZZ   | AC         |          | J             | Jack                            |
| J503  | QJAKFA044WJZZ   | AC         |          | J             | Jack                            |
| J508  | QJAKGA115WJQZ   | AE         |          | R             | Jack                            |
| L402  | RCiLPA154WJZZY  | AE         |          | J             | Coil                            |
| L501  | VPSBN100J1R2NY  | AB         |          | R             | Coil Peaking 10μH               |
| L502  | VPSBN100J1R2NY  | AB         |          | R             | Coil Peaking 10μH               |
| L1303   | RCiLPA897WJZZY  | AD         |          | R             | Coil                            |
| L1304   | RCiLPA897WJZZY  | AD         |          | R             | Coil                            |
| L1305   | RCiLPA897WJZZY  | AD         |          | R             | Coil                            |
| L1306   | RCiLPA897WJZZY  | AD         |          | R             | Coil                            |
| L7502   | VPCNN100J1R6NY  | AB         |          | J             | Coil Peaking 10μH               |
| L7503   | VPCNN120J1R9NY  | AB         |          | J             | Coil Peaking 12μH               |
| L7504   | VPSBN2R2JR54NY  | AB         |          | R             | Coil Peaking 2.2μH              |
| L7505   | VPCNN330J4R2NY  | AC         |          | J             | Coil Peaking 33μH               |
| L7506   | VPSBN2R2JR54NY  | AB         |          | R             | Coil Peaking 2.2μH              |
| L7509   | VPSBN2R2JR54NY  | AB         |          | R             | Coil Peaking 2.2μH              |
| L7510   | VPSBN2R2JR54NY  | AB         |          | R             | Coil Peaking 2.2μH              |
| L7511   | VPSBN2R2JR54NY  | AB         |          | R             | Coil Peaking 2.2μH              |
| LUG501  | QLUGHA009WJZZY  | AC         |          | J             | Lug                             |
| LUG502  | QLUGHA009WJZZY  | AC         |          | J             | Lug                             |
| LUG503  | QLUGHA009WJZZY  | AC         |          | J             | Lug                             |
| LUG504  | QLUGHA009WJZZY  | AC         |          | J             | Lug                             |
| LUG505  | QLUGHA009WJZZY  | AC         |          | J             | Lug                             |
| LUG506  | QLUGHA009WJZZY  | AC         |          | J             | Lug                             |
| LUG510  | QEARBA014WJFN   | AE         |          | R             | Lug                             |
| LUG511  | QEARBA014WJFN   | AE         |          | R             | Lug                             |
| P401  | QPLGNA175WJZZY  | AE         |          | J             | Plug 6Pin(PE)                   |
| P501  | QPLGNA349WJZZY  | AE         |          | J             | Plug 15Pin(VD)                  |
| P1301   | QPLGNA160WJZZY  | AD         |          | J             | Plug 4Pin(SP)                   |
| P1401   | QPLGN0055CEZZY  | AD         |          | J             | Plug 5Pin                       |
| P7501   | QPLGNA342WJZZY  | AD         |          | J             | Plug 8Pin(FE)                   |
| Q402  | VSRSS040P03-1Y  | AE         |          | J             | Transistor RSS040P03 TB         |
| Q407  | VSDTC114EE/-1Y  | AB         |          | J             | Transistor DTC114EETL           |
| Q501  | VSDTC314TK/-1Y  | AC         |          | J             | Transistor DTC314TKT146         |
| Q502  | VSDTC314TK/-1Y  | AC         |          | J             | Transistor DTC314TKT146         |
| Q503  | VSDTC314TK/-1Y  | AC         |          | J             | Transistor DTC314TKT146         |
| Q504  | VSDTC314TK/-1Y  | AC         |          | J             | Transistor DTC314TKT146         |
| Q505  | VS2SA1530AR-1Y  | AB         |          | J             | Transistor 2SA1530A-T112-1R     |
| Q506  | VS2SA1530AR-1Y  | AB         |          | J             | Transistor 2SA1530A-T112-1R     |
| Q507  | VS2SA1530AR-1Y  | AB         |          | J             | Transistor 2SA1530A-T112-1R     |
| Q508  | VS2SA1530AR-1Y  | AB         |          | J             | Transistor 2SA1530A-T112-1R     |
| Q509  | VS2SA1530AR-1Y  | AB         |          | J             | Transistor 2SA1530A-T112-1R     |
| Q510  | VS2SA1530AR-1Y  | AB         |          | J             | Transistor 2SA1530A-T112-1R     |
| Q511  | VSDTC314TK/-1Y  | AC         |          | J             | Transistor DTC314TKT146         |
| Q512  | VSDTC314TK/-1Y  | AC         |          | J             | Transistor DTC314TKT146         |
| Q516  | VS2SC2735// -1Y | AB         |          | J             | Transistor 2SC2735JC21TL        |
| Q518  | VS2SC2735// -1Y | AB         |          | J             | Transistor 2SC2735JC21TL        |
| Q520  | VS2SC2735// -1Y | AB         |          | J             | Transistor 2SC2735JC21TL        |
| Q521  | VSKRC404E+-1Y   | AB         |          | J             | Transistor KRC404E              |
| Q1302   | VSDTC614TK+-1Y  | AB         |          | J             | Transistor DTC614TKT146         |
| Q1401   | VSDTC614TK+-1Y  | AB         |          | J             | Transistor DTC614TKT146         |
| Q1402   | VSDTC614TK+-1Y  | AB         |          | J             | Transistor DTC614TKT146         |
| Q7501   | VS2SC3928AR-1Y  | AA         |          | J             | Transistor 2SC3928A-T112-1R     |
| Q7504   | VS2SC3928AR-1Y  | AA         |          | J             | Transistor 2SC3928A-T112-1R     |
| Q7505   | VS2SA1530AR-1Y  | AB         |          | J             | Transistor 2SA1530A-T112-1R     |
| Q7507   | VSRN4904// -1Y  | AB         |          | J             | Transistor RN4904               |
| R402  | VRS-CY1JF102JY  | AA         |          | J             | Resistor 1k 1/16W Metal Oxide   |
| R408  | VRS-CY1JF000JY  | AA         |          | J             | Resistor 0 1/16W Metal Oxide    |
| R409  | VRS-CY1JF333FY  | AA         |          | J             | Resistor 33k 1/16W Metal Oxide  |
| R410  | VRS-CY1JF113FY  | AA         |          | J             | Resistor 11k 1/16W Metal Oxide  |
| R415  | VRS-CY1JF512JY  | AA         |          | J             | Resistor 5.1k 1/16W Metal Oxide |
| R420  | VRS-CY1JF103JY  | AA         |          | J             | Resistor 10k 1/16W Metal Oxide  |

LC-42XL2E/S/RU, LC-46XL2E/S/RU, LC-46X20E/S/RU, LC-52XL2E/S/RU, LC-52X20E/S/RU

| NO.   | PARTS CODE        | PRICE RANK | NEW MARK | PART DELIVERY | DESCRIPTION                     |
|---|-------------------|------------|----------|---------------|---------------------------------|
| <b>[4] DUNTKE187FM01/FM02 (TERMINAL Unit)</b> |                   |            |          |               |                                 |
| R423  | VRS-CY1 JF 102 JY | AA         |          | J             | Resistor 1k 1/16W Metal Oxide   |
| R430  | VRS-CY1 JF 432 FY | AA         |          | J             | Resistor 4.3k 1/16W Metal Oxide |
| R431  | VRS-CY1 JF 182 FY | AA         |          | J             | Resistor 1.8k 1/16W Metal Oxide |
| R432  | VRS-CY1 JF 101 JY | AA         |          | J             | Resistor 100 1/16W Metal Oxide  |
| R438  | VRS-CY1 JF 333 JY | AA         |          | J             | Resistor 33k 1/16W Metal Oxide  |
| R501  | VRS-CY1 JF 472 JY | AA         |          | J             | Resistor 4.7k 1/16W Metal Oxide |
| R503  | VRS-CY1 JF 101 JY | AA         |          | J             | Resistor 100 1/16W Metal Oxide  |
| R505  | VRS-CY1 JF 682 JY | AA         |          | J             | Resistor 6.8k 1/16W Metal Oxide |
| R507  | VRS-CY1 JF 472 JY | AA         |          | J             | Resistor 4.7k 1/16W Metal Oxide |
| R508  | VRS-CY1 JF 000 JY | AA         |          | J             | Resistor 0 1/16W Metal Oxide    |
| R509  | VRS-CY1 JF 000 JY | AA         |          | J             | Resistor 0 1/16W Metal Oxide    |
| R510  | VRS-CY1 JF 000 JY | AA         |          | J             | Resistor 0 1/16W Metal Oxide    |
| R511  | VRS-TQ2EF 750 JY  | AA         |          | R             | Resistor 75 1/4W Metal Oxide    |
| R512  | VRS-TQ2EF 680 JY  | AA         |          | R             | Resistor 68 1/4W Metal Oxide    |
| R513  | VRS-TQ2EF 680 JY  | AA         |          | R             | Resistor 68 1/4W Metal Oxide    |
| R514  | VRS-TQ2EF 750 JY  | AA         |          | R             | Resistor 75 1/4W Metal Oxide    |
| R515  | VRS-CY1 JF 682 JY | AA         |          | J             | Resistor 6.8k 1/16W Metal Oxide |
| R516  | VRS-TQ2EF 750 JY  | AA         |          | R             | Resistor 75 1/4W Metal Oxide    |
| R518  | VRS-CY1 JF 000 JY | AA         |          | J             | Resistor 0 1/16W Metal Oxide    |
| R519  | VRS-CY1 JF 000 JY | AA         |          | J             | Resistor 0 1/16W Metal Oxide    |
| R520  | VRS-CY1 JF 000 JY | AA         |          | J             | Resistor 0 1/16W Metal Oxide    |
| R521  | VRS-TQ2EF 750 JY  | AA         |          | R             | Resistor 75 1/4W Metal Oxide    |
| R522  | VRS-TQ2EF 750 JY  | AA         |          | R             | Resistor 75 1/4W Metal Oxide    |
| R523  | VRS-TQ2EF 101 JY  | AA         |          | J             | Resistor 100 1/4W Metal Oxide   |
| R524  | VRS-CY1 JF 000 JY | AA         |          | J             | Resistor 0 1/16W Metal Oxide    |
| R526  | VRS-TQ2EF 750 JY  | AA         |          | R             | Resistor 75 1/4W Metal Oxide    |
| R527  | VRS-TQ2EF 750 JY  | AA         |          | R             | Resistor 75 1/4W Metal Oxide    |
| R528  | VRS-CY1 JF 101 JY | AA         |          | J             | Resistor 100 1/16W Metal Oxide  |
| R529  | VRS-CY1 JF 101 JY | AA         |          | J             | Resistor 100 1/16W Metal Oxide  |
| R530  | VRS-TQ2EF 750 JY  | AA         |          | R             | Resistor 75 1/4W Metal Oxide    |
| R531  | VRS-TQ2EF 101 JY  | AA         |          | J             | Resistor 100 1/4W Metal Oxide   |
| R532  | VRS-TQ2EF 750 JY  | AA         |          | R             | Resistor 75 1/4W Metal Oxide    |
| R533  | VRS-TQ2EF 750 JY  | AA         |          | R             | Resistor 75 1/4W Metal Oxide    |
| R534  | VRS-CY1 JF 473 JY | AA         |          | J             | Resistor 47k 1/16W Metal Oxide  |
| R535  | VRS-CY1 JF 000 JY | AA         |          | J             | Resistor 0 1/16W Metal Oxide    |
| R536  | VRS-CY1 JF 221 JY | AA         |          | J             | Resistor 220 1/16W Metal Oxide  |
| R537  | VRS-CY1 JF 000 JY | AA         |          | J             | Resistor 0 1/16W Metal Oxide    |
| R538  | VRS-CY1 JF 000 JY | AA         |          | J             | Resistor 0 1/16W Metal Oxide    |
| R539  | VRS-TV1 JD 221 JY | AA         |          | J             | Resistor 220 1/16W Metal Oxide  |
| R540  | VRS-TV1 JD 221 JY | AA         |          | J             | Resistor 220 1/16W Metal Oxide  |
| R541  | VRS-TV1 JD 221 JY | AA         |          | J             | Resistor 220 1/16W Metal Oxide  |
| R542  | VRS-TV1 JD 221 JY | AA         |          | J             | Resistor 220 1/16W Metal Oxide  |
| R545  | VRS-CY1 JF 104 JY | AA         |          | J             | Resistor 100k 1/16W Metal Oxide |
| R546  | VRS-CY1 JF 104 JY | AA         |          | J             | Resistor 100k 1/16W Metal Oxide |
| R547  | VRS-CJ1 JF 101 JY | AA         |          | J             | Resistor 100 1/16W Metal Oxide  |
| R548  | VRS-CJ1 JF 101 JY | AA         |          | J             | Resistor 100 1/16W Metal Oxide  |
| R549  | VRS-CY1 JF 102 JY | AA         |          | J             | Resistor 1k 1/16W Metal Oxide   |
| R550  | VRS-CY1 JF 102 JY | AA         |          | J             | Resistor 1k 1/16W Metal Oxide   |
| R551  | VRS-CY1 JF 104 JY | AA         |          | J             | Resistor 100k 1/16W Metal Oxide |
| R552  | VRS-CY1 JF 104 JY | AA         |          | J             | Resistor 100k 1/16W Metal Oxide |
| R553  | VRS-CY1 JF 102 JY | AA         |          | J             | Resistor 1k 1/16W Metal Oxide   |
| R554  | VRS-CY1 JF 102 JY | AA         |          | J             | Resistor 1k 1/16W Metal Oxide   |
| R555  | VRS-CY1 JF 564 JY | AA         |          | J             | Resistor 560k 1/16W Metal Oxide |
| R556  | VRS-CY1 JF 564 JY | AA         |          | J             | Resistor 560k 1/16W Metal Oxide |
| R557  | VRS-CJ1 JF 331 JY | AA         |          | J             | Resistor 330 1/16W Metal Oxide  |
| R558  | VRS-CJ1 JF 331 JY | AA         |          | J             | Resistor 330 1/16W Metal Oxide  |
| R559  | VRS-CY1 JF 104 JY | AA         |          | J             | Resistor 100k 1/16W Metal Oxide |
| R560  | VRS-CY1 JF 104 JY | AA         |          | J             | Resistor 100k 1/16W Metal Oxide |
| R561  | VRS-CY1 JF 564 JY | AA         |          | J             | Resistor 560k 1/16W Metal Oxide |
| R562  | VRS-CY1 JF 564 JY | AA         |          | J             | Resistor 560k 1/16W Metal Oxide |
| R563  | VRS-CJ1 JF 272 JY | AA         |          | J             | Resistor 2.7k 1/16W Metal Oxide |
| R564  | VRS-CJ1 JF 272 JY | AA         |          | J             | Resistor 2.7k 1/16W Metal Oxide |
| R565  | VRS-CY1 JF 104 JY | AA         |          | J             | Resistor 100k 1/16W Metal Oxide |
| R566  | VRS-CY1 JF 104 JY | AA         |          | J             | Resistor 100k 1/16W Metal Oxide |
| R569  | VRS-TQ2EF 750 JY  | AA         |          | R             | Resistor 75 1/4W Metal Oxide    |
| R570  | VRS-CY1 JF 220 JY | AA         |          | J             | Resistor 22 1/16W Metal Oxide   |
| R571  | VRS-CY1 JF 220 JY | AA         |          | J             | Resistor 22 1/16W Metal Oxide   |
| R572  | VRS-CY1 JF 220 JY | AA         |          | J             | Resistor 22 1/16W Metal Oxide   |
| R573  | VRS-TQ2EF 750 JY  | AA         |          | R             | Resistor 75 1/4W Metal Oxide    |
| R574  | VRS-TQ2EF 750 JY  | AA         |          | R             | Resistor 75 1/4W Metal Oxide    |
| R575  | VRS-TQ2EF 750 JY  | AA         |          | R             | Resistor 75 1/4W Metal Oxide    |
| R576  | VRS-TQ2EF 750 JY  | AA         |          | R             | Resistor 75 1/4W Metal Oxide    |
| R577  | VRS-TQ2EF 750 JY  | AA         |          | R             | Resistor 75 1/4W Metal Oxide    |
| R578  | VRS-CY1 JF 102 JY | AA         |          | J             | Resistor 1k 1/16W Metal Oxide   |
| R579  | VRS-CY1 JF 102 JY | AA         |          | J             | Resistor 1k 1/16W Metal Oxide   |
| R581  | VRS-CY1 JF 104 JY | AA         |          | J             | Resistor 100k 1/16W Metal Oxide |
| R582  | VRS-CY1 JF 103 JY | AA         |          | J             | Resistor 10k 1/16W Metal Oxide  |
| R583  | VRS-CY1 JF 102 JY | AA         |          | J             | Resistor 1k 1/16W Metal Oxide   |
| R584  | VRS-CY1 JF 102 JY | AA         |          | J             | Resistor 1k 1/16W Metal Oxide   |
| R585  | VRS-CY1 JF 104 JY | AA         |          | J             | Resistor 100k 1/16W Metal Oxide |
| R586  | VRS-CY1 JF 220 JY | AA         |          | J             | Resistor 22 1/16W Metal Oxide   |
| R587  | VRS-CY1 JF 220 JY | AA         |          | J             | Resistor 22 1/16W Metal Oxide   |
| R588  | VRS-CY1 JF 101 JY | AA         |          | J             | Resistor 100 1/16W Metal Oxide  |
| R589  | VRS-CY1 JF 333 JY | AA         |          | J             | Resistor 33k 1/16W Metal Oxide  |
| R592  | VRS-CY1 JF 220 JY | AA         |          | J             | Resistor 22 1/16W Metal Oxide   |

LC-42XL2E/S/RU, LC-46XL2E/S/RU, LC-46X20E/S/RU, LC-52XL2E/S/RU, LC-52X20E/S/RU

| NO.   | PARTS CODE     | PRICE RANK | NEW MARK | PART DELIVERY | DESCRIPTION                     |
|---|----------------|------------|----------|---------------|---------------------------------|
| <b>[4] DUNTKE187FM01/FM02 (TERMINAL Unit)</b> |                |            |          |               |                                 |
| R595  | VRS-CY1JF101JY | AA         |          | J             | Resistor 100 1/16W Metal Oxide  |
| R596  | VRS-CY1JF103JY | AA         |          | J             | Resistor 10k 1/16W Metal Oxide  |
| R598  | VRS-CY1JF333JY | AA         |          | J             | Resistor 33k 1/16W Metal Oxide  |
| R599  | VRS-CY1JF101JY | AA         |          | J             | Resistor 100 1/16W Metal Oxide  |
| R600  | VRS-CY1JF103JY | AA         |          | J             | Resistor 10k 1/16W Metal Oxide  |
| R606  | VRS-CY1JF103JY | AA         |          | J             | Resistor 10k 1/16W Metal Oxide  |
| R608  | VRS-CY1JF333JY | AA         |          | J             | Resistor 33k 1/16W Metal Oxide  |
| R610  | VRS-CY1JF101JY | AA         |          | J             | Resistor 100 1/16W Metal Oxide  |
| R612  | VRS-CY1JF101JY | AA         |          | J             | Resistor 100 1/16W Metal Oxide  |
| R613  | VRS-CY1JF103JY | AA         |          | J             | Resistor 10k 1/16W Metal Oxide  |
| R616  | VRS-CY1JF103JY | AA         |          | J             | Resistor 10k 1/16W Metal Oxide  |
| R618  | VRS-CY1JF103JY | AA         |          | J             | Resistor 10k 1/16W Metal Oxide  |
| R620  | VRS-CY1JF104JY | AA         |          | J             | Resistor 100k 1/16W Metal Oxide |
| R621  | VRS-CY1JF750JY | AA         |          | J             | Resistor 75 1/16W Metal Oxide   |
| R622  | VRS-CY1JF750JY | AA         |          | J             | Resistor 75 1/16W Metal Oxide   |
| R623  | VRS-CY1JF750JY | AA         |          | J             | Resistor 75 1/16W Metal Oxide   |
| R625  | VRS-CY1JF750JY | AA         |          | J             | Resistor 75 1/16W Metal Oxide   |
| R626  | VRS-CY1JF221JY | AA         |          | J             | Resistor 220 1/16W Metal Oxide  |
| R627  | VRS-CY1JF561JY | AA         |          | J             | Resistor 560 1/16W Metal Oxide  |
| R628  | VRS-CJ1JF100JY | AA         |          | J             | Resistor 10 1/16W Metal Oxide   |
| R629  | VRS-CY1JF750JY | AA         |          | J             | Resistor 75 1/16W Metal Oxide   |
| R630  | VRS-CY1JF102JY | AA         |          | J             | Resistor 1k 1/16W Metal Oxide   |
| R631  | VRS-CY1JF104JY | AA         |          | J             | Resistor 100k 1/16W Metal Oxide |
| R632  | VRS-CY1JF221JY | AA         |          | J             | Resistor 220 1/16W Metal Oxide  |
| R633  | VRS-CY1JF561JY | AA         |          | J             | Resistor 560 1/16W Metal Oxide  |
| R634  | VRS-CY1JF102JY | AA         |          | J             | Resistor 1k 1/16W Metal Oxide   |
| R635  | VRS-CY1JF564JY | AA         |          | J             | Resistor 560k 1/16W Metal Oxide |
| R636  | VRS-CY1JF564JY | AA         |          | J             | Resistor 560k 1/16W Metal Oxide |
| R643  | VRS-CY1JF103JY | AA         |          | J             | Resistor 10k 1/16W Metal Oxide  |
| R644  | VRS-CY1JF103JY | AA         |          | J             | Resistor 10k 1/16W Metal Oxide  |
| R646  | VRS-CY1JF103JY | AA         |          | J             | Resistor 10k 1/16W Metal Oxide  |
| R649  | VRS-CY1JF101JY | AA         |          | J             | Resistor 100 1/16W Metal Oxide  |
| R650  | VRS-CY1JF821JY | AA         |          | J             | Resistor 820 1/16W Metal Oxide  |
| R652  | VRS-CY1JF333JY | AA         |          | J             | Resistor 33k 1/16W Metal Oxide  |
| R656  | VRS-CY1JF103JY | AA         |          | J             | Resistor 10k 1/16W Metal Oxide  |
| R657  | VRS-CY1JF333JY | AA         |          | J             | Resistor 33k 1/16W Metal Oxide  |
| R660  | VRS-CY1JF101JY | AA         |          | J             | Resistor 100 1/16W Metal Oxide  |
| R661  | VRS-CY1JF821JY | AA         |          | J             | Resistor 820 1/16W Metal Oxide  |
| R670  | VRS-CY1JF101JY | AA         |          | J             | Resistor 100 1/16W Metal Oxide  |
| R671  | VRS-CY1JF821JY | AA         |          | J             | Resistor 820 1/16W Metal Oxide  |
| R672  | VRS-CY1JF000JY | AA         |          | J             | Resistor 0 1/16W Metal Oxide    |
| R1302   | VRS-CJ1JF182JY | AA         |          | J             | Resistor 1.8k 1/16W Metal Oxide |
| R1305   | VRS-CJ1JF103JY | AA         |          | J             | Resistor 10k 1/16W Metal Oxide  |
| R1311   | VRS-CY1JF244FY | AA         |          | J             | Resistor 240k 1/16W Metal Oxide |
| R1312   | VRS-CY1JF104FY | AA         |          | J             | Resistor 100k 1/16W Metal Oxide |
| R1316   | VRS-CY1JF000JY | AA         |          | J             | Resistor 0 1/16W Metal Oxide    |
| R1317   | VRS-CY1JF000JY | AA         |          | J             | Resistor 0 1/16W Metal Oxide    |
| R1318   | VRS-CY1JF000JY | AA         |          | J             | Resistor 0 1/16W Metal Oxide    |
| R1320   | VRS-CY1JF000JY | AA         |          | J             | Resistor 0 1/16W Metal Oxide    |
| R1321   | VRS-CH1JF224JY | AA         |          | R             | Resistor 220k 1/16W Metal Oxide |
| R1323   | VRS-TV1JD000JY | AA         |          | J             | Resistor 0 1/16W Metal Oxide    |
| R1324   | VRS-TV1JD000JY | AA         |          | J             | Resistor 0 1/16W Metal Oxide    |
| R1326   | VRS-CY1JF103JY | AA         |          | J             | Resistor 10k 1/16W Metal Oxide  |
| R1327   | VRS-CY1JF473JY | AA         |          | J             | Resistor 47k 1/16W Metal Oxide  |
| R1328   | VRS-CY1JF562JY | AA         |          | J             | Resistor 5.6k 1/16W Metal Oxide |
| R1332   | VRS-TV1JD000JY | AA         |          | J             | Resistor 0 1/16W Metal Oxide    |
| R1333   | VRS-TV1JD000JY | AA         |          | J             | Resistor 0 1/16W Metal Oxide    |
| R1401   | VRS-CJ1JF101JY | AA         |          | J             | Resistor 100 1/16W Metal Oxide  |
| R1403   | VRS-CY1JF333JY | AA         |          | J             | Resistor 33k 1/16W Metal Oxide  |
| R1404   | VRS-CY1JF101JY | AA         |          | J             | Resistor 100 1/16W Metal Oxide  |
| R1405   | VRS-CY1JF223JY | AA         |          | J             | Resistor 22k 1/16W Metal Oxide  |
| R1406   | VRS-CY1JF473JY | AA         |          | J             | Resistor 47k 1/16W Metal Oxide  |
| R1407   | VRS-CY1JF473JY | AA         |          | J             | Resistor 47k 1/16W Metal Oxide  |
| R1409   | VRS-CY1JF101JY | AA         |          | J             | Resistor 100 1/16W Metal Oxide  |
| R1410   | VRS-CJ1JF472JY | AA         |          | J             | Resistor 4.7k 1/16W Metal Oxide |
| R1411   | VRS-CY1JF101JY | AA         |          | J             | Resistor 100 1/16W Metal Oxide  |
| R1412   | VRS-CY1JF473JY | AA         |          | J             | Resistor 47k 1/16W Metal Oxide  |
| R1413   | VRS-CY1JF105JY | AA         |          | J             | Resistor 1M 1/16W Metal Oxide   |
| R1414   | VRS-CH1JF101JY | AA         |          | J             | Resistor 100 1/16W Metal Oxide  |
| R1415   | VRS-CY1JF000JY | AA         |          | J             | Resistor 0 1/16W Metal Oxide    |
| R1416   | VRS-CY1JF121JY | AA         |          | J             | Resistor 120 1/16W Metal Oxide  |
| R1417   | VRS-CY1JF102JY | AA         |          | J             | Resistor 1k 1/16W Metal Oxide   |
| R1419   | VRS-CH1JF101JY | AA         |          | J             | Resistor 100 1/16W Metal Oxide  |
| R1420   | VRS-CJ1JF473JY | AA         |          | J             | Resistor 47k 1/16W Metal Oxide  |
| R1421   | VRS-CY1JF000JY | AA         |          | J             | Resistor 0 1/16W Metal Oxide    |
| R1422   | VRS-CY1JF4R7JY | AA         |          | J             | Resistor 4.7 1/16W Metal Oxide  |
| R1423   | VRS-CJ1JF101JY | AA         |          | J             | Resistor 100 1/16W Metal Oxide  |
| R1425   | RBLN-0253TAZZY | AA         |          | J             | Balun BLN-0253TA                |
| R1426   | VRS-CY1JF123JY | AA         |          | J             | Resistor 12k 1/16W Metal Oxide  |
| R1427   | VRS-CY1JF101JY | AA         |          | J             | Resistor 100 1/16W Metal Oxide  |
| R1428   | VRS-CY1JF472JY | AA         |          | J             | Resistor 4.7k 1/16W Metal Oxide |
| R1429   | VRS-CH1JF473JY | AA         |          | J             | Resistor 47k 1/16W Metal Oxide  |
| R1430   | VRS-CY1JF472JY | AA         |          | J             | Resistor 4.7k 1/16W Metal Oxide |
| R1431   | VRS-CH1JF473JY | AA         |          | J             | Resistor 47k 1/16W Metal Oxide  |
| R1433   | VRS-CY1JF100JY | AA         |          | J             | Resistor 10 1/16W Metal Oxide   |



LC-42XL2E/S/RU, LC-46XL2E/S/RU, LC-46X20E/S/RU, LC-52XL2E/S/RU, LC-52X20E/S/RU

| NO.   | PARTS CODE        | PRICE RANK | NEW MARK | PART DELIVERY | DESCRIPTION                     |
|---|-------------------|------------|----------|---------------|---------------------------------|
| <b>[4] DUNTKE187FM01/FM02 (TERMINAL Unit)</b> |                   |            |          |               |                                 |
| R1434   | VRS-CY1 JF 472 JY | AA         |          | J             | Resistor 4.7k 1/16W Metal Oxide |
| R1435   | VRS-CY1 JF 472 JY | AA         |          | J             | Resistor 4.7k 1/16W Metal Oxide |
| R1436   | VRS-CY1 JF 220 JY | AA         |          | J             | Resistor 22 1/16W Metal Oxide   |
| R1437   | VRS-CH1 JF 473 JY | AA         |          | J             | Resistor 47k 1/16W Metal Oxide  |
| R1438   | VRS-CY1 JF 101 JY | AA         |          | J             | Resistor 100 1/16W Metal Oxide  |
| R1439   | VRS-CY1 JF 222 JY | AA         |          | J             | Resistor 2.2k 1/16W Metal Oxide |
| R1440   | VRS-CY1 JF 220 JY | AA         |          | J             | Resistor 22 1/16W Metal Oxide   |
| R1442   | VRS-CY1 JF 101 JY | AA         |          | J             | Resistor 100 1/16W Metal Oxide  |
| R1443   | VRS-CH1 JF 101 JY | AA         |          | J             | Resistor 100 1/16W Metal Oxide  |
| R1445   | VRS-CJ1 JF 470 JY | AA         |          | J             | Resistor 47 1/16W Metal Oxide   |
| R1446   | VRS-CJ1 JF 470 JY | AA         |          | J             | Resistor 47 1/16W Metal Oxide   |
| R1450   | VRS-CJ1 JF 220 JY | AA         |          | J             | Resistor 22 1/16W Metal Oxide   |
| R1453   | VRS-CY1 JF 4R7 JY | AA         |          | J             | Resistor 4.7 1/16W Metal Oxide  |
| R1454   | VRS-CY1 JF 101 JY | AA         |          | J             | Resistor 100 1/16W Metal Oxide  |
| R1455   | VRS-CY1 JF 243 FY | AA         |          | J             | Resistor 24k 1/16W Metal Oxide  |
| R1456   | VRS-CY1 JF 243 FY | AA         |          | J             | Resistor 24k 1/16W Metal Oxide  |
| R1460   | VRS-CY1 JF 473 JY | AA         |          | J             | Resistor 47k 1/16W Metal Oxide  |
| R1461   | VRS-CY1 JF 473 JY | AA         |          | J             | Resistor 47k 1/16W Metal Oxide  |
| R1462   | VRS-TQ2EF 220 JY  | AA         |          | J             | Resistor 22 1/4W Metal Oxide    |
| R1463   | VRS-CY1 JF 102 JY | AA         |          | J             | Resistor 1k 1/16W Metal Oxide   |
| R1464   | VRS-TQ2EF 220 JY  | AA         |          | J             | Resistor 22 1/4W Metal Oxide    |
| R1465   | VRS-CY1 JF 102 JY | AA         |          | J             | Resistor 1k 1/16W Metal Oxide   |
| R1466   | VRS-CY1 JF 223 JY | AA         |          | J             | Resistor 22k 1/16W Metal Oxide  |
| R1467   | VRS-CY1 JF 223 JY | AA         |          | J             | Resistor 22k 1/16W Metal Oxide  |
| R1468   | VRS-CY1 JF 473 JY | AA         |          | J             | Resistor 47k 1/16W Metal Oxide  |
| R1469   | VRS-CY1 JF 473 JY | AA         |          | J             | Resistor 47k 1/16W Metal Oxide  |
| R1470   | VRS-CJ1 JF 103 JY | AA         |          | J             | Resistor 10k 1/16W Metal Oxide  |
| R1472   | VRS-CY1 JF 102 JY | AA         |          | J             | Resistor 1k 1/16W Metal Oxide   |
| R1473   | VRS-CY1 JF 102 JY | AA         |          | J             | Resistor 1k 1/16W Metal Oxide   |
| R1476   | VRS-CY1 JF 104 JY | AA         |          | J             | Resistor 100k 1/16W Metal Oxide |
| R1477   | VRS-CY1 JF 104 JY | AA         |          | J             | Resistor 100k 1/16W Metal Oxide |
| R1478   | VRS-CY1 JF 104 JY | AA         |          | J             | Resistor 100k 1/16W Metal Oxide |
| R1479   | VRS-CY1 JF 104 JY | AA         |          | J             | Resistor 100k 1/16W Metal Oxide |
| R1480   | VRS-CY1 JF 223 JY | AA         |          | J             | Resistor 22k 1/16W Metal Oxide  |
| R1481   | VRS-CY1 JF 473 JY | AA         |          | J             | Resistor 47k 1/16W Metal Oxide  |
| R1482   | VRS-CY1 JF 223 JY | AA         |          | J             | Resistor 22k 1/16W Metal Oxide  |
| R1483   | VRS-CY1 JF 473 JY | AA         |          | J             | Resistor 47k 1/16W Metal Oxide  |
| R7501   | VRS-CY1 JF 103 JY | AA         |          | J             | Resistor 10k 1/16W Metal Oxide  |
| R7502   | VRS-CY1 JF 681 JY | AA         |          | J             | Resistor 680 1/16W Metal Oxide  |
| R7503   | VRS-CY1 JF 000 JY | AA         |          | J             | Resistor 0 1/16W Metal Oxide    |
| R7504   | VRS-CY1 JF 393 JY | AA         |          | J             | Resistor 39k 1/16W Metal Oxide  |
| R7505   | VRS-CY1 JF 333 JY | AA         |          | J             | Resistor 33k 1/16W Metal Oxide  |
| R7506   | VRS-CY1 JF 680 JY | AA         |          | J             | Resistor 68 1/16W Metal Oxide   |
| R7508   | VRS-CY1 JF 103 JY | AA         |          | J             | Resistor 10k 1/16W Metal Oxide  |
| R7509   | VRS-CY1 JF 822 JY | AA         |          | J             | Resistor 8.2k 1/16W Metal Oxide |
| R7512   | VRS-CY1 JF 330 JY | AA         |          | J             | Resistor 33 1/16W Metal Oxide   |
| R7516   | VRS-CY1 JF 102 JY | AA         |          | J             | Resistor 1k 1/16W Metal Oxide   |
| R7517   | VRS-CY1 JF 222 JY | AA         |          | J             | Resistor 2.2k 1/16W Metal Oxide |
| R7518   | VRS-CY1 JF 562 JY | AA         |          | J             | Resistor 5.6k 1/16W Metal Oxide |
| R7519   | VRS-CY1 JF 562 JY | AA         |          | J             | Resistor 5.6k 1/16W Metal Oxide |
| R7520   | VRS-CY1 JF 103 JY | AA         |          | J             | Resistor 10k 1/16W Metal Oxide  |
| R7521   | VRS-CY1 JF 103 JY | AA         |          | J             | Resistor 10k 1/16W Metal Oxide  |
| R7524   | VRS-CY1 JF 562 JY | AA         |          | J             | Resistor 5.6k 1/16W Metal Oxide |
| R7525   | VRS-TQ2BD 330 JY  | AA         |          | J             | Resistor 33 1/8W Metal Oxide    |
| R7526   | VRS-CY1 JF 331 JY | AA         |          | J             | Resistor 330 1/16W Metal Oxide  |
| R7527   | VRS-CJ1 JF 472 JY | AA         |          | J             | Resistor 4.7k 1/16W Metal Oxide |
| R7528   | VRS-CJ1 JF 101 JY | AA         |          | J             | Resistor 100 1/16W Metal Oxide  |
| R7529   | VRS-CY1 JF 471 JY | AA         |          | J             | Resistor 470 1/16W Metal Oxide  |
| R7530   | VRS-CY1 JF 000 JY | AA         |          | J             | Resistor 0 1/16W Metal Oxide    |
| R7533   | VRS-CY1 JF 392 JY | AA         |          | J             | Resistor 3.9k 1/16W Metal Oxide |
| R7534   | VRS-CY1 JF 271 JY | AA         |          | J             | Resistor 270 1/16W Metal Oxide  |
| R7535   | VRS-CY1 JF 821 JY | AA         |          | J             | Resistor 820 1/16W Metal Oxide  |
| R7536   | VRS-CY1 JF 151 JY | AA         |          | J             | Resistor 0 1/16W Metal Oxide    |
| R7537   | VRS-CY1 JF 272 JY | AA         |          | J             | Resistor 2.7k 1/16W Metal Oxide |
| R7538   | VRS-CY1 JF 101 JY | AA         |          | J             | Resistor 100 1/16W Metal Oxide  |
| R7539   | VRS-CY1 JF 103 JY | AA         |          | J             | Resistor 10k 1/16W Metal Oxide  |
| R7540   | VRS-CY1 JF 331 JY | AA         |          | J             | Resistor 330 1/16W Metal Oxide  |
| R7541   | VRS-CY1 JF 221 JY | AA         |          | J             | Resistor 220 1/16W Metal Oxide  |
| R7545   | VRS-CY1 JF 000 JY | AA         |          | J             | Resistor 0 1/16W Metal Oxide    |
| R7547   | VRS-CY1 JF 102 JY | AA         |          | J             | Resistor 1k 1/16W Metal Oxide   |
| R7549   | VRS-CY1 JF 102 JY | AA         |          | J             | Resistor 1k 1/16W Metal Oxide   |
| R7550   | VRS-CY1 JF 101 JY | AA         |          | J             | Resistor 100 1/16W Metal Oxide  |
| R7551   | VRS-CY1 JF 332 JY | AA         |          | J             | Resistor 3.3k 1/16W Metal Oxide |
| R7552   | VRS-CY1 JF 102 JY | AA         |          | J             | Resistor 1k 1/16W Metal Oxide   |
| R7567   | VRS-CY1 JF 822 JY | AA         |          | J             | Resistor 8.2k 1/16W Metal Oxide |
| R7568   | VRS-CJ1 JF 000 JY | AA         |          | J             | Resistor 0 1/16W Metal Oxide    |
| R7569   | VRS-CY1 JF 560 JY | AA         |          | J             | Resistor 56 1/16W Metal Oxide   |
| R7570   | VRS-CY1 JF 560 JY | AA         |          | J             | Resistor 56 1/16W Metal Oxide   |
| SC501   | QCNCWA673WJZZY    | AF         |          | J             | Connector 82Pin                 |
| SC502   | QSOCZA059WJZZ     | AG         |          | J             | Socket 21Pin(INPUT1)            |
| SC503   | QSOCZA059WJZZ     | AG         |          | J             | Socket 21Pin(INPUT2)            |
| SLD7501                                       | PSLDMA898WJFW     | AD         |          | J             | Tuner If Shield                 |
| X1401   | RCRSCA147WJZZY    | AG         |          | J             | Crystal                         |
| X1402   | RCRSCA045WJZZY    | AG         |          | J             | Crystal                         |
| X1403   | RCRSCA045WJZZY    | AG         |          | J             | Crystal                         |

LC-42XL2E/S/RU, LC-46XL2E/S/RU, LC-46X20E/S/RU, LC-52XL2E/S/RU, LC-52X20E/S/RU

| NO.   | PARTS CODE     | PRICE RANK | NEW MARK | PART DELIVERY | DESCRIPTION                    |
|---|----------------|------------|----------|---------------|--------------------------------|
| <b>[4] DUNTKE187FM01/FM02 (TERMINAL Unit)</b> |                |            |          |               |                                |
| X7501   | RCRSCA178WJZZY | AG         |          | R             | Crystal 4MHz                   |
| X7502   | RCRSCA181WJZZY | AG         |          | R             | Crystal                        |
| <b>[5] DUNTKE264FM01 (R/C, LED Unit)</b>      |                |            |          |               |                                |
| C102  | VCKYTV1CF225ZY | AB         |          | J             | Capacitor 2.2 16V Ceramic      |
| C104  | VCEASX1CN106MY | AC         |          | J             | Capacitor 10 16V Electrolytic  |
| C105  | VCKYCY1HF103ZY | AA         |          | J             | Capacitor 0.01 50V Ceramic     |
| C107  | VCEASY1CN107MY | AC         |          | J             | Capacitor 100 16V Electrolytic |
| D101  | RH-EXA092WJZZY | AB         |          | J             | Zener Diode UDZSTE-1712B, 12V  |
| D103  | RH-PX0421CEZZY | AD         |          | J             | Diode CL-165HR/YG-D-T, YOYAKU  |
| D114  | RH-PX0421CEZZY | AD         |          | J             | Diode CL-165HR/YG-D-T, YOYAKU  |
| D115  | RH-PX0421CEZZY | AD         |          | J             | Diode CL-165HR/YG-D-T, YOYAKU  |
| IC101   | VHiGA1S100W-1Y | AE         | N        | R             | IC GA1A1S100WP                 |
| P101  | QPLGNA335WJZZY | AD         |          | J             | Plug 15Pin(RA)                 |
| P102  | QPLGNA322WJZZY | AC         |          | R             | Plug 2Pin                      |
| Q102  | VS2SC3928AR-1Y | AA         |          | J             | Transistor 2SC3928A-T112-1R    |
| Q103  | VS2SC3928AR-1Y | AA         |          | J             | Transistor 2SC3928A-T112-1R    |
| Q104  | VS2SC3928AR-1Y | AA         |          | J             | Transistor 2SC3928A-T112-1R    |
| Q106  | VS2SC3928AR-1Y | AA         |          | J             | Transistor 2SC3928A-T112-1R    |
| Q107  | VS2SC3928AR-1Y | AA         |          | J             | Transistor 2SC3928A-T112-1R    |
| R101  | VRS-CY1JF101JY | AA         |          | J             | Resistor 100 1/16W Metal Oxide |
| R104  | VRS-CY1JF273JY | AA         |          | J             | Resistor 27k 1/16W Metal Oxide |
| R105  | VRS-CY1JF393JY | AA         |          | J             | Resistor 39k 1/16W Metal Oxide |
| R108  | VRS-CY1JF161JY | AA         |          | J             | Resistor 160 1/16W Metal Oxide |
| R109  | VRS-CY1JF821JY | AA         |          | J             | Resistor 820 1/16W Metal Oxide |
| R117  | VRS-CY1JF103JY | AA         |          | J             | Resistor 10k 1/16W Metal Oxide |
| R121  | VRS-CY1JF821JY | AA         |          | J             | Resistor 820 1/16W Metal Oxide |
| R122  | VRS-CY1JF161JY | AA         |          | J             | Resistor 160 1/16W Metal Oxide |
| R123  | VRS-CJ1JF103JY | AA         |          | J             | Resistor 10k 1/16W Metal Oxide |
| R124  | VRS-CJ1JF103JY | AA         |          | J             | Resistor 10k 1/16W Metal Oxide |
| R135  | VRS-CY1JF000JY | AA         |          | J             | Resistor 0 1/16W Metal Oxide   |
| R140  | VRS-CY1JF000JY | AA         |          | J             | Resistor 0 1/16W Metal Oxide   |
| RMC101  | RRMCA053WJZZ   | AE         |          | J             | Remote Receiver                |
| SLD101  | PSLDPA076WJFW  | AD         |          | J             | Shield                         |
| <b>[6] DUNTKE266FM01 (KEY Unit)</b>           |                |            |          |               |                                |
| D151  | RH-EX0646GEZZY | AA         |          | J             | Zener Diode MTZJT-7215B        |
| D152  | RH-EX0646GEZZY | AA         |          | J             | Zener Diode MTZJT-7215B        |
| D155  | RH-EX0646GEZZY | AA         |          | J             | Zener Diode MTZJT-7215B        |
| P151  | QPLGNA059WJZZ  | AC         |          | J             | Plug 5Pin(KM)                  |
| R151  | VRD-RA2BE822JY | AA         |          | J             | Resistor 8.2k 1/8W Carbon      |
| R152  | VRD-RA2BE123JY | AA         |          | J             | Resistor 12k 1/8W Carbon       |
| R153  | VRD-RA2BE822JY | AA         |          | J             | Resistor 8.2k 1/8W Carbon      |
| R154  | VRD-RA2BE123JY | AA         |          | J             | Resistor 12k 1/8W Carbon       |
| S151  | QSW-K0003AJZZ+ | AA         |          | J             | Switch CH UP                   |
| S152  | QSW-K0003AJZZ+ | AA         |          | J             | Switch CH DOWN                 |
| S153  | QSW-K0003AJZZ+ | AA         |          | J             | Switch CH INPUT                |
| S154  | QSW-K0003AJZZ+ | AA         |          | J             | Switch VOL UP                  |
| S155  | QSW-K0003AJZZ+ | AA         |          | J             | Switch VOL DOWN                |
| S156  | QSW-K0003AJZZ+ | AA         |          | J             | Switch CH MENU                 |
| S157  | QSW-K0003AJZZ+ | AA         |          | J             | Switch CH POWER                |
| <b>[7] DUNTKE188FM01 (MINI AV Unit)</b>       |                |            |          |               |                                |
| C801  | RC-KZA067WJZZY | AB         |          | J             | Capacitor 4.7 10V Ceramic      |
| C802  | RC-KZA237WJZZY | AB         |          | J             | Capacitor 10 16V Ceramic       |
| C803  | VCKYCZ1EB103KY | AA         |          | J             | Capacitor 0.01 25V Ceramic     |
| C804  | RC-KZA237WJZZY | AB         |          | J             | Capacitor 10 16V Ceramic       |
| C805  | VCKYCZ1AB104KY | AB         |          | J             | Capacitor 0.1 10V Ceramic      |
| C806  | VCKYCZ1AB104KY | AB         |          | J             | Capacitor 0.1 10V Ceramic      |
| C807  | VCKYCZ1HB102KY | AB         |          | J             | Capacitor 1000p 50V Ceramic    |
| C808  | VCKYCZ1AB104KY | AB         |          | J             | Capacitor 0.1 10V Ceramic      |
| C809  | VCKYCZ1HB102KY | AB         |          | J             | Capacitor 1000p 50V Ceramic    |
| C810  | RC-KZA520WJQZY | AA         |          | J             | Capacitor 1 10V Ceramic        |
| C811  | VCKYCZ1AB104KY | AB         |          | J             | Capacitor 0.1 10V Ceramic      |
| C812  | VCKYCZ1HB102KY | AB         |          | J             | Capacitor 1000p 50V Ceramic    |
| C813  | RC-KZA237WJZZY | AB         |          | J             | Capacitor 10 16V Ceramic       |
| C814  | VCKYCZ1HB102KY | AB         |          | J             | Capacitor 1000p 50V Ceramic    |
| C815  | VCKYCZ1AB104KY | AB         |          | J             | Capacitor 0.1 10V Ceramic      |
| C816  | VCKYCY1HB223KY | AA         |          | J             | Capacitor 0.022 50V Ceramic    |
| C817  | VCKYCZ1HB102KY | AB         |          | J             | Capacitor 1000p 50V Ceramic    |
| C818  | VCKYCZ1HB102KY | AB         |          | J             | Capacitor 1000p 50V Ceramic    |
| C819  | RC-KZA237WJZZY | AB         |          | J             | Capacitor 10 16V Ceramic       |
| C820  | VCKYCZ1HB102KY | AB         |          | J             | Capacitor 1000p 50V Ceramic    |
| C821  | VCKYCZ1AB104KY | AB         |          | J             | Capacitor 0.1 10V Ceramic      |
| C822  | RC-KZA237WJZZY | AB         |          | J             | Capacitor 10 16V Ceramic       |
| C823  | RC-KZA520WJQZY | AA         |          | J             | Capacitor 1 10V Ceramic        |
| C824  | VCKYCZ1EB103KY | AA         |          | J             | Capacitor 0.01 25V Ceramic     |
| C825  | RC-KZA520WJQZY | AA         |          | J             | Capacitor 1 10V Ceramic        |
| C826  | VCKYCZ1EB103KY | AA         |          | J             | Capacitor 0.01 25V Ceramic     |
| C827  | VCKYCZ1HB102KY | AB         |          | J             | Capacitor 1000p 50V Ceramic    |
| C828  | VCKYCZ1HB102KY | AB         |          | J             | Capacitor 1000p 50V Ceramic    |
| C829  | VCKYCZ1AB104KY | AB         |          | J             | Capacitor 0.1 10V Ceramic      |
| C830  | VCKYCZ1AB104KY | AB         |          | J             | Capacitor 0.1 10V Ceramic      |
| C831  | VCKYCZ1HB102KY | AB         |          | J             | Capacitor 1000p 50V Ceramic    |

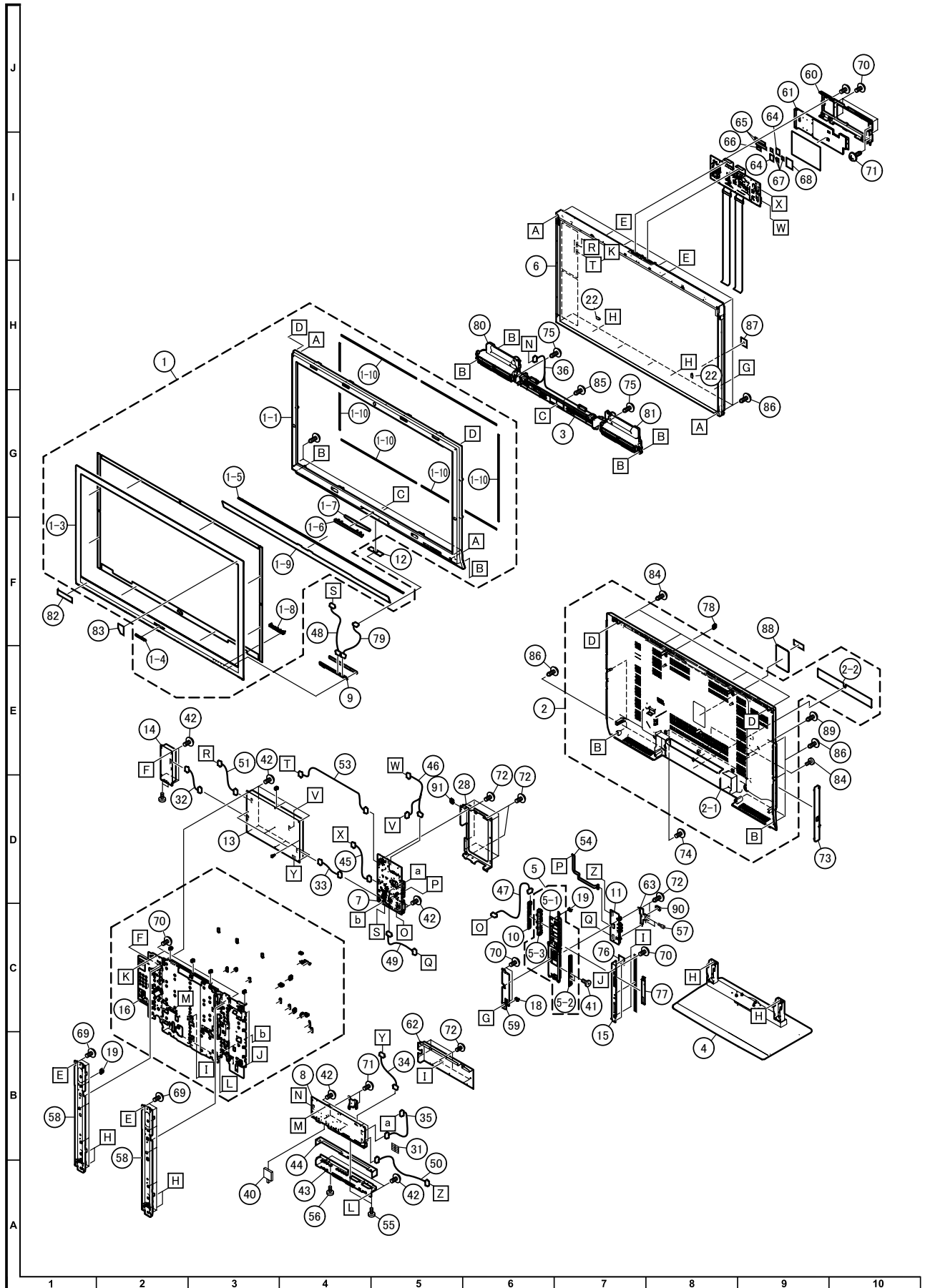
LC-42XL2E/S/RU, LC-46XL2E/S/RU, LC-46X20E/S/RU, LC-52XL2E/S/RU, LC-52X20E/S/RU

| NO.                                     | PARTS CODE     | PRICE RANK | NEW MARK | PART DELIVERY | DESCRIPTION                     |
|---|----------------|------------|----------|---------------|---------------------------------|
| <b>[7] DUNTKE188FM01 (MINI AV Unit)</b> |                |            |          |               |                                 |
| C832                                    | VCKYCY1HB102KY | AB         |          | J             | Capacitor 1000p 50V Ceramic     |
| C903                                    | VCKYCY1HB472KY | AA         |          | J             | Capacitor 4700p 50V Ceramic     |
| C904                                    | VCKYCY1HB472KY | AA         |          | J             | Capacitor 4700p 50V Ceramic     |
| D801                                    | VHDM152WK/-1Y  | AB         |          | J             | Diode MA152WK-(TX)              |
| D804                                    | VHD1PS226+-1Y  | AB         |          | J             | Diode 1PS226,115                |
| D805                                    | VHD1PS226+-1Y  | AB         |          | J             | Diode 1PS226,115                |
| D806                                    | VHD1PS226+-1Y  | AB         |          | J             | Diode 1PS226,115                |
| D810                                    | VHDM1111+-1Y   | AB         |          | J             | Diode MA2J11100L                |
| D903                                    | RH-EX0265TAZZY | AB         |          | J             | Zener Diode PDZ10B,115          |
| D904                                    | RH-EX0265TAZZY | AB         |          | J             | Zener Diode PDZ10B,115          |
| D905                                    | RH-EX0265TAZZY | AB         |          | J             | Zener Diode PDZ10B,115          |
| FB802                                   | RBLN-0210TAZZY | AB         |          | J             | Balun BLN-0210TA                |
| FB805                                   | RBLN-A206WJZZY | AA         |          | J             | Balun BLN-A206WJ                |
| FB902                                   | RBLN-0077TAZZY | AB         |          | J             | Balun BLN-0077TA                |
| FB903                                   | RBLN-0077TAZZY | AB         |          | J             | Balun BLN-0077TA                |
| FL901                                   | RFILN0017TAZZY | AC         |          | J             | Filter                          |
| FL902                                   | RFILN0017TAZZY | AC         |          | J             | Filter                          |
| FL903                                   | RFILN0017TAZZY | AC         |          | J             | Filter                          |
| IC801                                   | VHIR5523N1B-1Y | AE         | N        | J             | IC R5523N001B-TR-F              |
| IC802                                   | RH-IXC284WJQZS |            |          | J             | IC IC HDMI EXT4                 |
| IC803                                   | VHISI9181+-1Q  | AN         | N        | J             | IC SI9181CNU                    |
| IC804                                   | VHIPST3615N-1Y | AC         | N        | J             | IC PST3615NR                    |
| IC805                                   | VHIPQ1LA185-1Y | AD         |          | J             | IC PQ1LA185MSPQ                 |
| IC806                                   | VHIPQ1LA335-1Y | AD         |          | R             | IC PQ1LA335MSPQ                 |
| IC807                                   | VHIAHC1G08W-1Y | AD         |          | J             | IC 74AHC1G08WG,125              |
| J801                                    | QSOCZA151WJQZ  | AF         |          | R             | Socket 4Pin(USB)                |
| J802                                    | QJAKJ0047CEZZ  | AG         |          | J             | Jack                            |
| J901                                    | QJAKGA079WJZZ  | AD         |          | J             | Jack                            |
| J902                                    | QSOCD0456CEZZ  | AE         |          | J             | Socket                          |
| L801                                    | RCILFA116WJZZY | AE         |          | J             | Coil                            |
| L802                                    | RCILFA116WJZZY | AE         |          | J             | Coil                            |
| L803                                    | RCILFA116WJZZY | AE         |          | J             | Coil                            |
| L804                                    | RCILFA116WJZZY | AE         |          | J             | Coil                            |
| L805                                    | RCILFA116WJZZY | AE         |          | J             | Coil                            |
| L806                                    | RCILFA116WJZZY | AE         |          | J             | Coil                            |
| L807                                    | RCILFA116WJZZY | AE         |          | J             | Coil                            |
| L808                                    | RCILFA116WJZZY | AE         |          | J             | Coil                            |
| L809                                    | RCILFA228WJZZY | AD         |          | J             | Coil                            |
| LUG901                                  | QLUGHA006WJZZY | AC         |          | J             | Lug                             |
| LUG902                                  | QLUGHA006WJZZY | AC         |          | J             | Lug                             |
| P801                                    | QPLGNA334WJZZY | AD         |          | J             | Plug 14Pin(US)                  |
| P901                                    | QPLGNA335WJZZY | AD         |          | J             | Plug 15Pin(VD)                  |
| Q803                                    | VSKRC404E+-1Y  | AB         |          | J             | Transistor KRC404E              |
| Q804                                    | VSKRC404E+-1Y  | AB         |          | J             | Transistor KRC404E              |
| Q805                                    | VSKRC404E+-1Y  | AB         |          | J             | Transistor KRC404E              |
| Q806                                    | VSKTA1535T+-1Y | AC         |          | J             | Transistor KTA1535T-RTK/P       |
| Q807                                    | VSRT1N141U/-1Y | AB         |          | J             | Transistor RT1N141U-T111-1      |
| R802                                    | VRS-CZ1JF473JY | AA         |          | J             | Resistor 47k 1/16W Metal Oxide  |
| R804                                    | VRS-CZ1JF103JY | AA         |          | J             | Resistor 10k 1/16W Metal Oxide  |
| R807                                    | VRS-CJ1JF100JY | AA         |          | J             | Resistor 10 1/16W Metal Oxide   |
| R808                                    | VRS-CZ1JF103JY | AA         |          | J             | Resistor 10k 1/16W Metal Oxide  |
| R809                                    | VRS-CZ1JF103JY | AA         |          | J             | Resistor 10k 1/16W Metal Oxide  |
| R810                                    | VRS-CJ1JF100JY | AA         |          | J             | Resistor 10 1/16W Metal Oxide   |
| R812                                    | VRS-CJ1JF473JY | AA         |          | J             | Resistor 47k 1/16W Metal Oxide  |
| R815                                    | VRS-CZ1JF000JY | AA         |          | J             | Resistor 0 1/16W Metal Oxide    |
| R817                                    | VRS-CZ1JF103JY | AA         |          | J             | Resistor 10k 1/16W Metal Oxide  |
| R818                                    | VRS-CZ1JF103JY | AA         |          | J             | Resistor 10k 1/16W Metal Oxide  |
| R819                                    | VRS-CZ1JF102JY | AA         |          | J             | Resistor 1k 1/16W Metal Oxide   |
| R820                                    | VRS-TW2ED100JY | AA         |          | J             | Resistor 10 1/4W Metal Oxide    |
| R821                                    | VRS-CZ1JF104JY | AA         |          | J             | Resistor 100k 1/16W Metal Oxide |
| R822                                    | VRS-TW2ED100JY | AA         |          | J             | Resistor 10 1/4W Metal Oxide    |
| R823                                    | VRS-CZ1JF104JY | AA         |          | J             | Resistor 100k 1/16W Metal Oxide |
| R824                                    | VRS-CZ1JF103JY | AA         |          | J             | Resistor 10k 1/16W Metal Oxide  |
| R825                                    | VRS-CZ1JF101JY | AA         |          | J             | Resistor 100 1/16W Metal Oxide  |
| R826                                    | VRS-CZ1JF103JY | AA         |          | J             | Resistor 10k 1/16W Metal Oxide  |
| R827                                    | VRS-CZ1JF751JY | AA         |          | J             | Resistor 750 1/16W Metal Oxide  |
| R828                                    | VRS-CZ1JF474JY | AA         |          | J             | Resistor 470k 1/16W Metal Oxide |
| R829                                    | VRS-CJ1JF100JY | AA         |          | J             | Resistor 10 1/16W Metal Oxide   |
| R830                                    | VRS-CZ1JF102JY | AA         |          | J             | Resistor 1k 1/16W Metal Oxide   |
| R831                                    | VRS-CZ1JF103JY | AA         |          | J             | Resistor 10k 1/16W Metal Oxide  |
| R832                                    | VRS-CZ1JF103JY | AA         |          | J             | Resistor 10k 1/16W Metal Oxide  |
| R834                                    | VRS-CZ1JF102JY | AA         |          | J             | Resistor 1k 1/16W Metal Oxide   |
| R838                                    | VRS-CZ1JF472JY | AA         |          | J             | Resistor 4.7k 1/16W Metal Oxide |
| R839                                    | VRS-CZ1JF101JY | AA         |          | J             | Resistor 100 1/16W Metal Oxide  |
| R840                                    | VRS-CZ1JF331JY | AA         |          | J             | Resistor 330 1/16W Metal Oxide  |
| R907                                    | VRS-CZ1JF104JY | AA         |          | J             | Resistor 100k 1/16W Metal Oxide |
| R908                                    | VRS-CZ1JF104JY | AA         |          | J             | Resistor 100k 1/16W Metal Oxide |
| R909                                    | VRS-CZ1JF000JY | AA         |          | J             | Resistor 0 1/16W Metal Oxide    |
| R910                                    | VRS-CZ1JF000JY | AA         |          | J             | Resistor 0 1/16W Metal Oxide    |
| R914                                    | VRS-CZ1JF000JY | AA         |          | J             | Resistor 0 1/16W Metal Oxide    |
| R915                                    | VRS-CZ1JF000JY | AA         |          | J             | Resistor 0 1/16W Metal Oxide    |
| SC801                                   | QSOCZA149WJQZY | AF         |          | J             | Socket 23Pin                    |
| SC802                                   | QCNCWA657WJQZY | AG         |          | J             | Connector 21Pin(HM)             |
| VA801                                   | RH-VXA074WJZZY | AB         |          | J             | Varistor AVRL101A1R1NTB         |
| VA802                                   | RH-VXA074WJZZY | AB         |          | J             | Varistor AVRL101A1R1NTB         |

LC-42XL2E/S/RU, LC-46XL2E/S/RU, LC-46X20E/S/RU, LC-52XL2E/S/RU, LC-52X20E/S/RU

| NO.                                     | PARTS CODE     | PRICE RANK | NEW MARK | PART DELIVERY | DESCRIPTION                     |
|---|----------------|------------|----------|---------------|---------------------------------|
| <b>[7] DUNTKE188FM01 (MINI AV Unit)</b> |                |            |          |               |                                 |
| VA803                                   | RH-VXA187WJQZY | AB         |          | J             | Varistor EZAEG2A50AX            |
| VA804                                   | RH-VXA187WJQZY | AB         |          | J             | Varistor EZAEG2A50AX            |
| VA805                                   | RH-VXA187WJQZY | AB         |          | J             | Varistor EZAEG2A50AX            |
| VA806                                   | RH-VXA187WJQZY | AB         |          | J             | Varistor EZAEG2A50AX            |
| VA807                                   | RH-VXA187WJQZY | AB         |          | J             | Varistor EZAEG2A50AX            |
| VA808                                   | RH-VXA187WJQZY | AB         |          | J             | Varistor EZAEG2A50AX            |
| VA809                                   | RH-VXA187WJQZY | AB         |          | J             | Varistor EZAEG2A50AX            |
| VA810                                   | RH-VXA187WJQZY | AB         |          | J             | Varistor EZAEG2A50AX            |
| <b>[8] DUNTKE270FM01 (ILLUMI Unit)</b>  |                |            |          |               |                                 |
| D951                                    | RH-PXA142WJQZY | AG         | N        | R             | Illumination LED SML5128BC5TT86 |
| D952                                    | RH-PXA142WJQZY | AG         | N        | R             | Illumination LED SML5128BC5TT86 |
| P951                                    | QPLGNA322WJZZY | AC         |          | R             | Plug 2Pin                       |
| R951                                    | VRS-CY1JF221JY | AA         |          | J             | Resistor 220 1/16W Metal Oxide  |
| R952                                    | VRS-CY1JF221JY | AA         |          | J             | Resistor 220 1/16W Metal Oxide  |

[9] CABINET PARTS (LC-42XL2E/S/RU)



LC-42XL2E/S/RU, LC-46XL2E/S/RU, LC-46X20E/S/RU, LC-52XL2E/S/RU, LC-52X20E/S/RU

| NO.                                       | PARTS CODE     | PRICE RANK | NEW MARK | PART DELIVERY | DESCRIPTION                      |
|---|----------------|------------|----------|---------------|----------------------------------|
| <b>[9] CABINET PARTS (LC-42XL2E/S/RU)</b> |                |            |          |               |                                  |
| 1   | CCABAB819WJ11  |            | N        | P             | Front Cabinet Ass'y              |
| 1-1                                       | Not Available  | -          | N        | -             | Front Cabinet                    |
| 1-3                                       | Not Available  | -          | N        | -             | Front Cover                      |
| 1-4                                       | HBDGBA061WJSA  | AF         |          | J             | Sharp Badge                      |
| 1-5                                       | Not Available  | -          | N        | -             | Shine Trim                       |
| 1-6                                       | Not Available  | -          | N        | -             | Center Dec Holder                |
| 1-7                                       | Not Available  | -          | N        | -             | Front Dec                        |
| 1-8                                       | Not Available  | -          | N        | -             | LED Decoration                   |
| 1-9                                       | Not Available  | -          | N        | -             | SP Sheet                         |
| 1-10                                      | Not Available  | -          | N        | -             | Mask Himeron, x6                 |
| 1-11                                      | Not Available  | -          | N        | -             | Front Cover Tape, x5             |
| 1-12                                      | Not Available  | -          | N        | -             | Front Cover Tape, x5             |
| 1-13                                      | Not Available  | -          | N        | -             | Spacer                           |
| 2   | CCABBB127WJ11  |            | N        | P             | Rear Cabnet Ass'y                |
| 2-1                                       | Not Available  | -          | N        | -             | Rear Cabinet                     |
| 2-2                                       | Not Available  | -          | N        | -             | Terminal Label                   |
| 3   | CCOVAC336WJ11  |            | N        | P             | Bottom Cover Ass'y               |
| 3-1                                       | Not Available  | -          |          | -             | Bottom Cover F                   |
| 3-2                                       | Not Available  | -          |          | -             | Bottom Cov_Spc, x2               |
| 4   | CDAi-A398WJ12  |            | N        | P             | Stand Ass'y                      |
| 5   | CCOVAC392WJ11  |            | N        | P             | MINI AV Key Cover Ass'y          |
| 5-1                                       | Not Available  | -          | N        | -             | Side Key Cover                   |
| 5-2                                       | Not Available  | -          | N        | -             | MINI Terminal Label              |
| 5-3                                       | Not Available  | -          | N        | -             | Control Button                   |
| 6   | R1LK420D3LZ60Y |            | N        | J             | 42" Full HD LCD Panel Module     |
| 7   | DUNTKE186FM01  |            | N        | R             | MAIN Unit                        |
| 8   | DUNTKE187FM01  |            | N        | R             | TERMINAL Unit                    |
| 9   | DUNTKE264FM01  |            | N        | R             | R/C, LED Unit                    |
| 10  | DUNTKE266FM01  |            | N        | R             | KEY Unit                         |
| 11  | DUNTKE188FM01  |            | N        | R             | MINI AV Unit                     |
| 12  | DUNTKE270FM01  |            | N        | R             | ILLUMINATION Unit                |
| 13  | RDENCA231WJQZ  |            | N        | P             | POWER Unit                       |
| 14  | RUNTKA311WJQZ  |            | N        | P             | AC Inlet Unit                    |
| 15  | LANGKB173WJ1A  | AN         | N        | R             | Side Terminal Angle              |
| 16  | LCHSMA386WJ1W  | BB         | N        | R             | Chassis Tray                     |
| 17  | LHLDFA036WJKZ  | AB         |          | J             | Wire Holder (Tray), x3           |
| 18  | LHLDWA133WJKZ  | AC         | N        | J             | Wire Holder (Tray)               |
| 19  | LHLDWA143WJKZ  | AC         |          | J             | Wire Holder (Tray), x5           |
| 20  | LHLDWA144WJKZ  | AC         | N        | R             | Wire Holder (Terminal PWB)       |
| 21  | LHLDWA151WJKZ  | AB         |          | J             | Wire Holder (Tray), x5           |
| 22  | LHLDWA163WJKZ  | AC         |          | J             | Wire Holder (Tray), x5           |
| 23  | LHLDWA172WJKZ  | AD         |          | R             | Wire Holder (Tray)               |
| 24  | PMLT-A487WJZZ  | AD         | N        | R             | Gasket (10x30x7)                 |
| 25  | PRDARA482WJ1W  | AV         | N        | R             | Main Radiator                    |
| 26  | PSLDMA702WJZZ  | AD         |          | R             | Conductiv Shield (10x20), x3     |
| 27  | PSLDMB154WJQZ  | AD         |          | J             | 13x30x10 Gasket                  |
| 28  | PSLDMB158WJ1W  | AP         | N        | R             | Main Shiled                      |
| 29  | PSPAzb312WJKZ  | AD         | N        | J             | Spacer (25*25 T2.0)              |
| 30  | PSPAzb313WJKZ  | AC         |          | J             | Spacer (20*20 T2.0)              |
| 31  | QCNCMA673WJZZ  | AG         | N        | J             | Connector (B To B Plug 80)       |
| 32  | QCNW-F946WJQZ  | AH         | N        | R             | Connecting Cord (AC:POWERAC)     |
| 33  | QCNW-F947WJQZ  | AL         | N        | R             | Connecting Cord (PD:MAINPOWER)   |
| 34  | QCNW-F948WJQZ  | AK         | N        | R             | Connecting Cord (PE:TERMINPOWER) |
| 35  | QCNW-G001WJQZ  | AR         | N        | R             | Connecting Cord (FE:MAINTERMINA) |
| 36  | QCNW-G025WJQZ  |            | N        | R             | Connecting Cord (SP:TERMINALSP)  |
| 37  | QEARZA108WJFW  | AE         | N        | R             | Earth Plate(L)                   |
| 38  | QEARZA109WJFW  | AD         | N        | R             | Earth Plate(S), x2               |
| 39  | RCORFA023WJZZ  | AK         |          | J             | Core (for SP Wire)               |
| 40  | RTUDAA014WJQZ  | AX         | N        | P             | Tuner                            |
| 41  | XBPS830P06000  | AA         |          | J             | Screw, x2 (FOR HDMI)             |
| 42  | XJPS730P08WS0  | AA         |          | J             | Screw, x22 (Main Pow Termin)     |
| 43  | LANGKB175WJ1A  |            |          | P             | Terminal Angle Bottom            |
| 44  | LANGKB248WJFW  |            |          | P             | Scart Angle                      |
| 45  | QCNW-F970WJQZ  |            |          | P             | Connecting Cord (LW:MAINLCDCTL)  |
| 46  | QCNW-F988WJQZ  |            |          | P             | Connecting Cord (PL:POWERLCDCTL) |
| 47  | QCNW-G020WJQZ  |            |          | P             | Connecting Cord (KM:MAINKEY)     |
| 48  | QCNW-G021WJQZ  |            |          | P             | Connecting Cord (RA:MAINLED)     |
| 49  | QCNW-G023WJQZ  |            |          | P             | Connecting Cord (US:MAINMINI_AV) |
| 50  | QCNW-G024WJQZ  |            |          | P             | Connecting Cord (VD:SUBMINI_AV)  |
| 51  | QCNW-G026WJQZ  |            |          | P             | Connecting Cord (LA1:POWERINV_R) |
| 53  | QCNW-G028WJQZ  |            |          | P             | Connecting Cord (LB:MAININV)     |
| 54  | QPWBHE321WJQZ  | AX         |          | J             | FPC (HM:MAINMINI_AV)             |
| 55  | XBBS830P08000  | AA         |          | J             | Screw (for Scart), x2            |
| 56  | XBBS930P04000  | AA         |          | J             | Screw (for Tuner Fix), x1        |
| 57  | XiPSN20P04000  | AA         |          | J             | Screw (for HDMI), x2             |
| 58  | LANGKB187WJ1W  |            | N        | P             | Panel Support Ang, x2            |
| 59  | LANGKB216WJ1W  |            | N        | P             | MINI AV Angle                    |
| 60  | PCOVp2605WJZZ  | AM         | N        | J             | Control Shield                   |
| 61  | PRDARA513WJFW  |            | N        | P             | Heat Sink                        |
| 62  | PSLDMB159WJ1W  |            | N        | P             | AV Shield                        |
| 63  | PSLDMB179WJ1W  |            | N        | P             | MINI AV Shield                   |
| 64  | PSPAzb313WJKZ  | AC         |          | J             | Sheet (20x20x2.0), x2            |
| 65  | PSPAzb611WJKZ  |            | N        | P             | Sheet (10x50x7.5), x2            |
| 66  | PSPAzb612WJKZ  |            | N        | P             | Sheet (10x15x8.5)                |

LC-42XL2E/S/RU, LC-46XL2E/S/RU, LC-46X20E/S/RU, LC-52XL2E/S/RU, LC-52X20E/S/RU

| NO.                                       | PARTS CODE     | PRICE RANK | NEW MARK | PART DELIVERY | DESCRIPTION                   |
|---|----------------|------------|----------|---------------|-------------------------------|
| <b>[9] CABINET PARTS (LC-42XL2E/S/RU)</b> |                |            |          |               |                               |
| 67  | PSPA ZB613WJKZ |            | N        | P             | Sheet (12x12x2.5), x3         |
| 68  | PSPA ZB614WJKZ |            | N        | P             | Sheet (30x30x1.5)             |
| 69  | XBBS740P08000  | AA         |          | J             | Screw (for Center Ang), x14   |
| 70  | XBBS830P06000  | AA         |          | J             | Screw (Mini Av,Tay,Ctl), x15  |
| 71  | XBPS730P04WS0  | AA         |          | J             | Screw (for Heatsink), x4      |
| 72  | XJPS730P08WS0  | AA         |          | J             | Screw (Mini Av,Shield), x11   |
| 73  | GCOVAC356WJ1A  |            | N        | P             | Side AV Cover                 |
| 74  | LX-BZA170WJF9  |            |          | P             | Screw (for Rear Cabinet), x2  |
| 75  | LX-HZA003WJFN  | AC         |          | J             | Screw (for SP), x2            |
| 76  | PCOVZA105WJKZ  |            | N        | P             | CI Card Cover                 |
| 77  | PSHEPA541WJZZ  |            | N        | P             | Terminal Sheet                |
| 78  | PSHEPA543WJZZ  |            | N        | P             | Sheet for Boss, x2            |
| 79  | QCNW-G022WJQZ  |            | N        | P             | Connecting Cord (IL:LEDILLU)  |
| 80  | RSP-ZA261WJZZ  | AY         | N        | P             | Speaker L                     |
| 81  | RSP-ZA262WJZZ  | AY         | N        | P             | Speaker R                     |
| 82  | TLABZB616WJZZ  |            | N        | P             | Pop Label A (LC-42XL2E/S)     |
| 82  | TLABZB618WJZZ  |            | N        | P             | Pop Label A (LC-42XL2RU)      |
| 83  | TLABZB672WJZZ  |            | N        | P             | Pop Label 42                  |
| 84  | XBPS740P10JS0  |            |          | P             | Screw (for Rear Cabinet), x8  |
| 85  | XEBS930P10000  | AA         |          | J             | Screw (for Bottom Cover), x1  |
| 86  | XEBS940P16000  | AB         |          | J             | Screw (for Rear Cabinet), x15 |
| 87  | PSPA HB311WJZZ |            | N        | P             | Spacer                        |
| 88  | TLABNC117WJZZ  |            |          | P             | Model Label                   |
| 89  | LX-BZA214WJ00  |            |          |               | Screw, x1                     |
| 90  | LHLDWA164WJKZ  |            |          |               | Wire Holder                   |
| 91  | LHLDWA186WJKZ  |            | N        |               | Wire Holder                   |





LC-42XL2E/S/RU, LC-46XL2E/S/RU, LC-46X20E/S/RU, LC-52XL2E/S/RU, LC-52X20E/S/RU

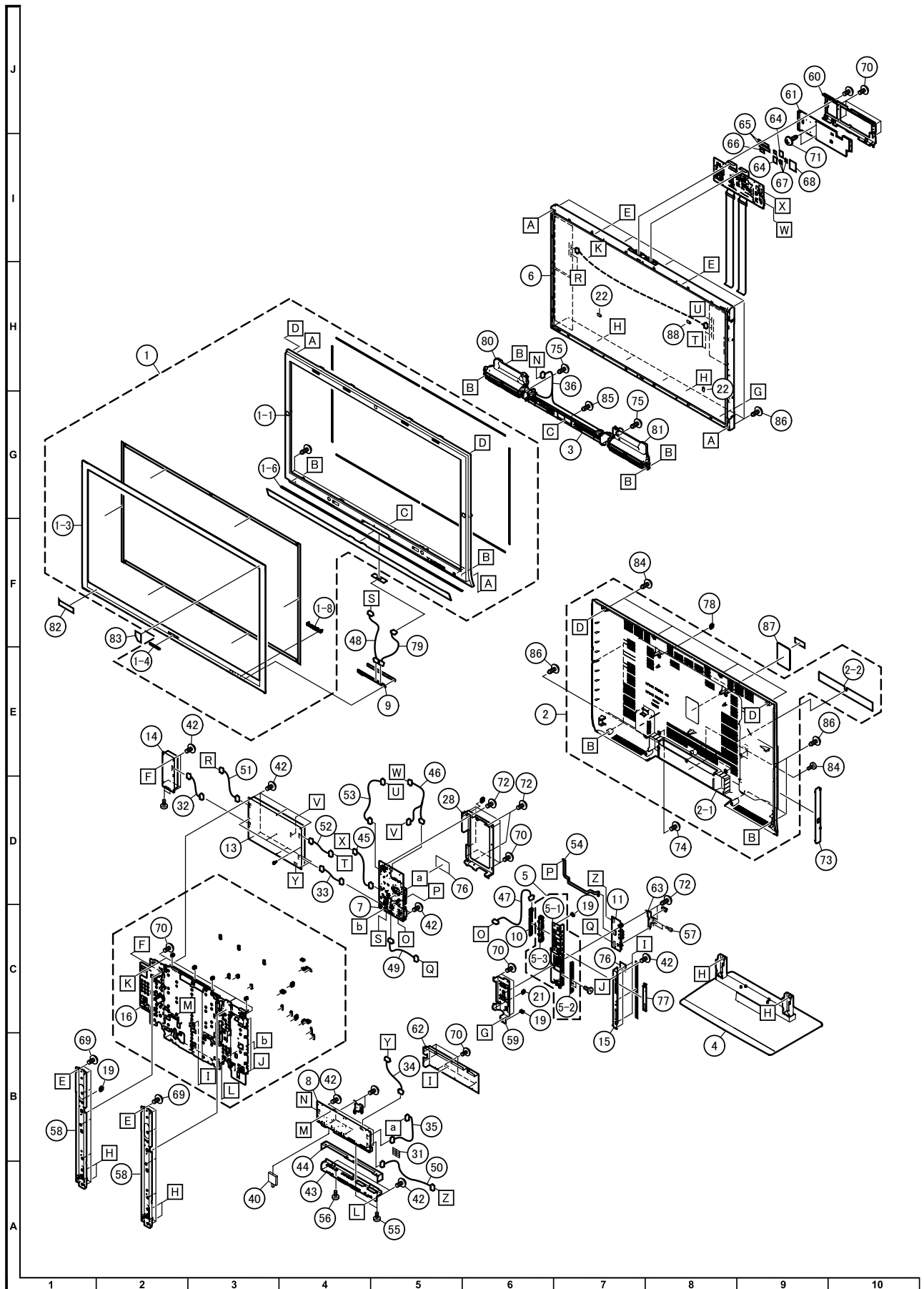
| NO.                                       | PARTS CODE     | PRICE RANK | NEW MARK | PART DELIVERY | DESCRIPTION                       |
|---|----------------|------------|----------|---------------|-----------------------------------|
| <b>[10] CABINET PARTS(LC-46XL2E/S/RU)</b> |                |            |          |               |                                   |
| 1   | CCABAB818WJ11  |            | N        | P             | Front Cabinet Ass'y               |
| 1-1                                       | Not Available  | -          | N        | -             | Front Cabinet                     |
| 1-2                                       | Not Available  | -          | N        | -             | Front Mask Ass'y                  |
| 1-3                                       | Not Available  | -          | -        | -             | Front Cover                       |
| 1-4                                       | HBDGBA061WJSA  | AF         |          | J             | Sharp Badge                       |
| 1-5                                       | Not Available  | -          | -        | -             | Shine Trim                        |
| 1-6                                       | Not Available  | -          | N        | -             | Center Dec Holder                 |
| 1-7                                       | Not Available  | -          | N        | -             | Front Dec                         |
| 1-8                                       | Not Available  | -          | N        | -             | LED Decoration                    |
| 1-9                                       | Not Available  | -          | N        | -             | SP Sheet                          |
| 1-10                                      | Not Available  | -          | N        | -             | Mask Himeron, x6                  |
| 1-11                                      | Not Available  | -          | N        | -             | Front Cover Tape, x5              |
| 1-12                                      | Not Available  | -          | N        | -             | Front Cover Tape, x5              |
| 1-13                                      | Not Available  | -          | N        | -             | Spacer                            |
| 2   | CCABBB100WJ11  |            | N        | P             | Rear Cabinet Ass'y                |
| 2-1                                       | Not Available  | -          | N        | -             | Rear Cabinet                      |
| 2-2                                       | Not Available  | -          | N        | -             | Terminal Label                    |
| 3   | CCOVAC336WJ11  |            | N        | P             | Bottom Cover Ass'y                |
| 3-1                                       | Not Available  | -          | -        | -             | Bottom Cover F                    |
| 3-2                                       | Not Available  | -          | -        | -             | Bottom Cov Spc, x2                |
| 4   | CDAi-A377WJ11  |            | N        | P             | Stand Ass'y                       |
| 5   | CCOVAC391WJ11  |            | N        | P             | MINI AV Key Cover Ass'y           |
| 5-1                                       | Not Available  | -          | N        | -             | Side Key Cover                    |
| 5-2                                       | Not Available  | -          | N        | -             | MINI Terminal Label               |
| 5-3                                       | Not Available  | -          | N        | -             | Control Button                    |
| 6   | R1LK460D3LZ60Y | FT         | N        | J             | 46" Full HD LCD Panel Module      |
| 7   | DUNTKE186FM01  |            | N        | R             | MAIN Unit                         |
| 8   | DUNTKE187FM01  |            | N        | R             | TERMINAL Unit                     |
| 9   | DUNTKE264FM01  |            | N        | R             | R/C, LED Unit                     |
| 10  | DUNTKE266FM01  |            | N        | R             | KEY Unit                          |
| 11  | DUNTKE188FM01  |            | N        | R             | MINI AV Unit                      |
| 12  | DUNTKE270FM01  |            | N        | R             | ILLUMINATION Unit                 |
| 13  | RDENCA231WJQZ  |            | N        | P             | POWER Unit                        |
| 14  | RUNTKA311WJQZ  |            | N        | P             | AC Inlet Unit                     |
| 15  | LANGKB173WJ1A  | AN         | N        | R             | Side Terminal Angle               |
| 16  | LCHSMA386WJ1W  | BB         | N        | R             | Chassis Tray                      |
| 17  | LHLDFA036WJKZ  | AB         |          | J             | Wire Holder (Tray), x3            |
| 18  | LHLDWA133WJKZ  | AC         | N        | J             | Wire Holder (Tray)                |
| 19  | LHLDWA143WJKZ  | AC         |          | J             | Wire Holder (Tray), x8            |
| 20  | LHLDWA144WJKZ  | AC         | N        | R             | Wire Holder (Terminal PWB)        |
| 21  | LHLDWA151WJKZ  | AB         |          | J             | Wire Holder (Tray), x5            |
| 22  | LHLDWA163WJKZ  | AC         |          | J             | Wire Holder (Tray), x5            |
| 23  | LHLDWA172WJKZ  | AD         |          | R             | Wire Holder (Tray)                |
| 24  | PMLT-A487WJZZ  | AD         | N        | R             | Gasket (10x30x7)                  |
| 25  | PRDARA482WJ1W  | AV         | N        | R             | Main Radiator                     |
| 26  | PSLDMA702WJZZ  | AD         |          | R             | Conductiv Shield (10x20), x3      |
| 27  | PSLDMB154WJQZ  | AD         |          | J             | 13x30x10 Gasket                   |
| 28  | PSLDMB158WJ1W  | AP         | N        | R             | Main Shiled                       |
| 29  | PSPAZB312WJKZ  | AD         | N        | J             | Spacer (25*25 T2.0)               |
| 30  | PSPAZB313WJKZ  | AC         |          | J             | Spacer (20*20 T2.0)               |
| 31  | QCNCMA673WJZZ  | AG         | N        | J             | Connector (B To B Plug 80)        |
| 32  | QCNW-F946WJQZ  | AH         | N        | R             | Connecting Cord (AC:POWERAC)      |
| 33  | QCNW-F947WJQZ  | AL         | N        | R             | Connecting Cord (PD:MAINPOWER)    |
| 34  | QCNW-F948WJQZ  | AK         | N        | R             | Connecting Cord (PE:TERMINPOWER)  |
| 35  | QCNW-G001WJQZ  | AR         | N        | R             | Connecting Cord (FE:MAINTERMINA)  |
| 36  | QCNW-G015WJQZ  | AL         | N        | R             | Connecting Cord (SP:TERMINALSP)   |
| 37  | QEARZA108WJFW  | AE         | N        | R             | Earth Plate(L)                    |
| 38  | QEARZA109WJFW  | AD         | N        | R             | Earth Plate(S), x2                |
| 39  | RCORFA023WJZZ  | AK         |          | J             | Core (for SP Wire)                |
| 40  | RTUDAA014WJQZ  | AX         | N        | P             | Tuner                             |
| 41  | XBPS830P06000  | AA         |          | J             | Screw, x2 (FOR HDMI)              |
| 42  | XJPS730P08WS0  | AA         |          | J             | Screw, x22 (Main Pow Termin)      |
| 43  | LANGKB175WJ1A  |            |          | P             | Terminal Angle Bottom             |
| 44  | LANGKB248WJFW  |            |          | P             | Scart Angle                       |
| 45  | QCNW-F950WJQZ  |            |          | P             | Connecting Cord (LW:MAINLCDCTL)   |
| 46  | QCNW-F968WJQZ  |            |          | P             | Connecting Cord (PL:POWERLCDCTL)  |
| 47  | QCNW-G010WJQZ  |            |          | P             | Connecting Cord (KM:MAINKEY)      |
| 48  | QCNW-G011WJQZ  |            |          | P             | Connecting Cord (RA:MAINLED)      |
| 49  | QCNW-G013WJQZ  |            |          | P             | Connecting Cord (US:MAINMINI_AV)  |
| 50  | QCNW-G014WJQZ  |            |          | P             | Connecting Cord (VD:SUBMINI_AV)   |
| 51  | QCNW-G016WJQZ  |            |          | P             | Connecting Cord (LA1:POWERINV_R)  |
| 52  | QCNW-G017WJQZ  |            |          | P             | Connecting Cord (LA2:POWER-INV_L) |
| 53  | QCNW-G018WJQZ  |            |          | P             | Connecting Cord (LB:MAININV)      |
| 54  | QPWBHE322WJQZ  | AX         |          | J             | FPC (HM:MAINMINI_AV)              |
| 55  | XBBS830P08000  | AA         |          | J             | Screw (for Scart), x2             |
| 56  | XBBS930P04000  | AA         |          | J             | Screw (for Tuner Fix), x1         |
| 57  | XiPSN20P04000  | AA         |          | J             | Screw (for HDMI), x2              |
| 58  | LANGKB186WJ1W  |            | N        | P             | Panel Support Ang, x2             |
| 59  | LANGKB215WJ1W  |            | N        | P             | MINI AV Angle                     |
| 60  | PCOV2605WJZZ   | AM         | N        | J             | Control Shield                    |
| 61  | PRDARA513WJFW  |            | N        | P             | Heat Sink                         |
| 62  | PSLDMB159WJ1W  |            | N        | P             | AV Shield                         |
| 63  | PSLDMB179WJ1W  |            | N        | P             | MINI AV Shield                    |
| 64  | PSPAZB313WJKZ  | AC         |          | J             | Sheet (20x20x2.0), x2             |

△

LC-42XL2E/S/RU, LC-46XL2E/S/RU, LC-46X20E/S/RU, LC-52XL2E/S/RU, LC-52X20E/S/RU

| NO.                                       | PARTS CODE     | PRICE RANK | NEW MARK | PART DELIVERY | DESCRIPTION                   |
|---|----------------|------------|----------|---------------|-------------------------------|
| <b>[10] CABINET PARTS(LC-46XL2E/S/RU)</b> |                |            |          |               |                               |
| 65  | PSPA ZB611WJKZ |            | N        | P             | Sheet (10x50x7.5), x2         |
| 66  | PSPA ZB612WJKZ |            | N        | P             | Sheet (10x15x8.5)             |
| 67  | PSPA ZB613WJKZ |            | N        | P             | Sheet (12x12x2.5), x3         |
| 68  | PSPA ZB614WJKZ |            | N        | P             | Sheet (30x30x1.5)             |
| 69  | XBBS740P08000  | AA         |          | J             | Screw (for Center Ang), x14   |
| 70  | XBBS830P06000  | AA         |          | J             | Screw (Mini av, Tay, Ct), x16 |
| 71  | XBPS730P04WS0  | AA         |          | J             | Screw (for Heat Sink), x4     |
| 72  | XJPS730P08WS0  | AA         |          | J             | Screw (Mini Av, Shild), x11   |
| 73  | GCOVAC356WJ1A  |            | N        | P             | Side AV Cover                 |
| 74  | LX-BZA170WJF9  |            |          | P             | Screw (for Rear Cabinet), x2  |
| 75  | LX-HZA003WJFN  | AC         |          | J             | Screw (for SP), x2            |
| 76  | PCOVZA105WJKZ  |            | N        | P             | CI Card Cover                 |
| 77  | PSHEPA541WJZZ  |            | N        | P             | Terminal Sheet                |
| 78  | PSHEPA543WJZZ  |            | N        | P             | Sheet for Boss, x2            |
| 79  | QCNW-G012WJQZ  |            | N        | P             | Connecting Cord (IL:LEDILLU)  |
| 80  | RSP-ZA261WJZZ  | AY         | N        | P             | Speaker L                     |
| 81  | RSP-ZA262WJZZ  | AY         | N        | P             | Speaker R                     |
| 82  | TLABZB616WJZZ  |            | N        | P             | Pop Label A (LC-46XL2E/S)     |
| 82  | TLABZB618WJZZ  |            | N        | P             | Pop Label A (LC-46XL2RU)      |
| 83  | TLABZB619WJZZ  |            | N        | P             | Pop Label 46                  |
| 84  | XBPS740P10JS0  |            |          | P             | Screw (for Rear Cabinet), x8  |
| 85  | XEBS930P10000  | AA         |          | J             | Screw (for Bottom Cover), x1  |
| 86  | XEBS940P16000  | AB         |          | J             | Screw (for Rear Cabinet), x14 |
| 87  | TLABNC117WJZZ  | -          |          | P             | Model Label                   |
| 88  | LHLDWA164WJKZ  |            |          |               | Wire Holder                   |

[11] CABINET PARTS (LC-46X20E/S/RU)



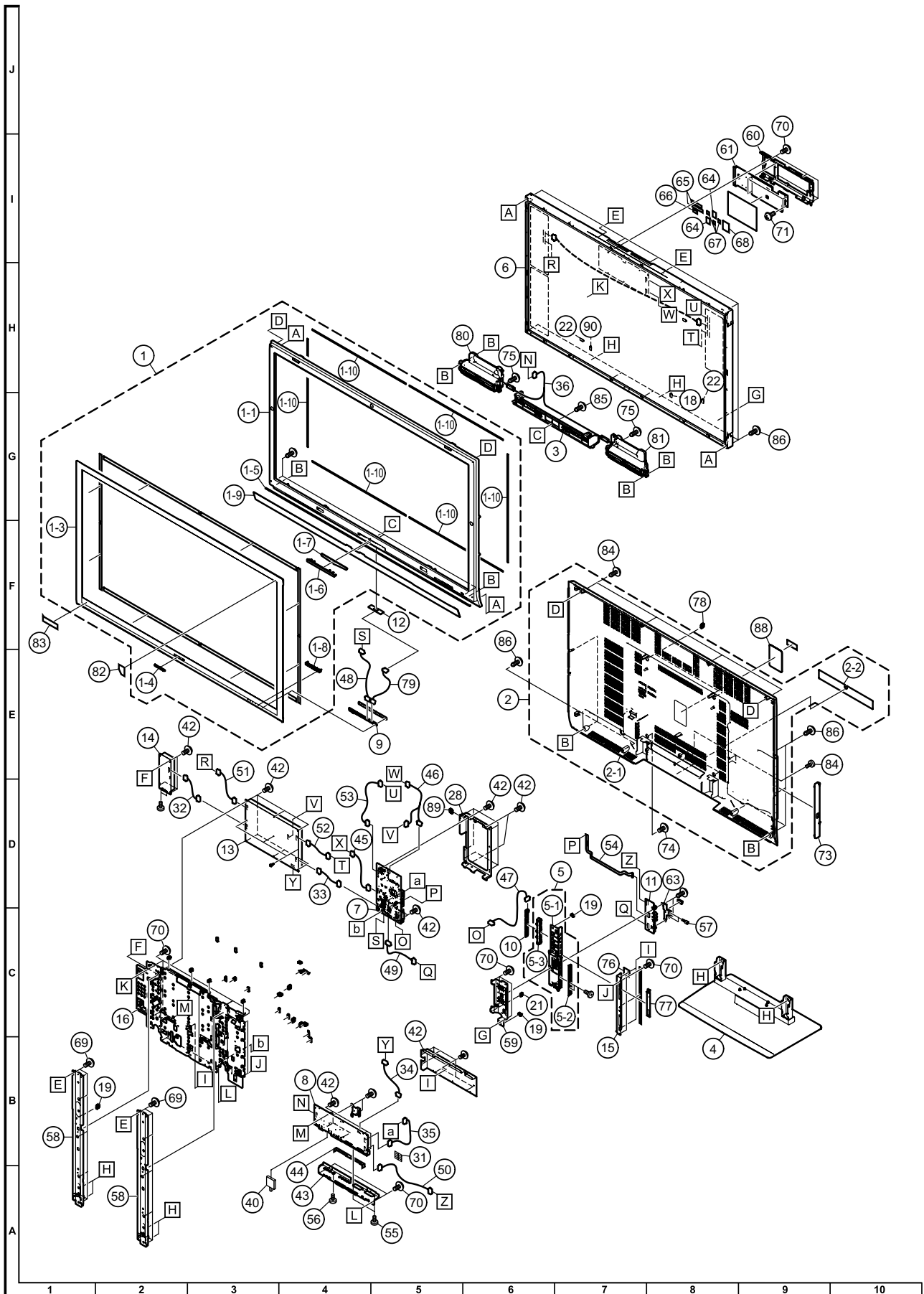
LC-42XL2E/S/RU, LC-46XL2E/S/RU, LC-46X20E/S/RU, LC-52XL2E/S/RU, LC-52X20E/S/RU

| NO.  | PARTS CODE     | PRICE RANK | NEW MARK | PART DELIVERY | DESCRIPTION                       |
|--|----------------|------------|----------|---------------|-----------------------------------|
| <b>[11] CABINET PARTS (LC-46X20E/S/RU)</b> |                |            |          |               |                                   |
| 1  | CCABAB822WJ11  | BU         | N        | S             | Front Cabinet Ass'y               |
| 1-1  | Not Available  | -          | N        | -             | Front Cabinet                     |
| 1-2  | Not Available  | -          | N        | -             | Frot Cover                        |
| 1-3  | HBDGBA061WJSA  | AF         |          | J             | Sharp Badge                       |
| 1-4  | Not Available  | -          | N        | -             | LED Decoration                    |
| 1-5  | Not Available  | -          | N        | -             | Shine Trim                        |
| 1-6  | Not Available  | -          | N        | -             | Speaker Sheet                     |
| 1-7  | Not Available  | -          | N        | -             | Mask Himeron, x6                  |
| 1-8  | PSPA ZB193WJZZ | AD         |          | J             | Front Cover Tape, x6              |
| 1-9  | Not Available  | -          | N        | -             | Front Cover Tape B                |
| 1-10                                       | Not Available  | -          | N        | -             | Front Cover Tape C                |
| 1-11                                       | Not Available  | -          | N        | -             | Front Cover Tape D, x2            |
| 1-12                                       | XJPS730P08WS0  | AA         |          | J             | Screw, x3 (Main Pow Termin)       |
| 2  | CCABBB100WJ12  | BM         | N        |               | Rear Cabnet Ass'y                 |
| 2-1  | Not Available  | -          | N        | -             | Rear Cabinet                      |
| 2-2  | Not Available  | -          | N        | -             | Terminal Label                    |
| 3  | CCOVAC336WJ11  |            | N        | P             | Bottom Cover Ass'y                |
| 3-1  | Not Available  | -          |          | -             | Bottom Cover F                    |
| 3-2  | Not Available  | -          |          | -             | Bottom Cov Spc, x2                |
| 4  | CDAi-A376WJ12  | BN         | N        | S             | Stand Ass'y                       |
| 5  | CCOVAC391WJ11  |            | N        | P             | MINI AV Key Cover Ass'y           |
| 5-1  | Not Available  | -          | N        | -             | MINI AV Key Cover                 |
| 5-2  | Not Available  | -          | N        | -             | MINI Terminal Label               |
| 5-3  | Not Available  | -          | N        | -             | Control Button                    |
| 6  | R1LK460D3LZ50Y | **         | N        | J             | 46" Full HD LCD Panel Module      |
| 7  | DUNTKE186FM02  |            |          | R             | MAIN Unit                         |
| 8  | DUNTKE187FM02  |            |          | R             | TERMINAL Unit                     |
| 9  | DUNTKE264FM01  |            |          | R             | R/C, LED Unit                     |
| 10   | DUNTKE266FM01  |            |          | R             | KEY Unit                          |
| 11   | DUNTKE188FM01  |            |          | R             | MINI AV Unit                      |
| 13   | RDENCA231WJQZ  |            | N        | P             | POWER Unit                        |
| 14   | RUNTKA311WJQZ  |            | N        | P             | AC INLET Unit                     |
| 15   | LANGKB173WJ1A  | AN         | N        | R             | Side Terminal Angle               |
| 16   | LCHSMA386WJ1W  | BB         | N        | R             | Chassis Tray                      |
| 17   | LHLDF A036WJKZ | AB         |          | J             | Wire Holder (Tray), x3            |
| 18   | LHLDWA133WJKZ  | AC         | N        | J             | Wire Holder (Tray)                |
| 19   | LHLDWA143WJKZ  | AC         |          | J             | Wire Holder (Tray), x8            |
| 20   | LHLDWA144WJKZ  | AC         | N        | R             | Wire Holder (Terminal PWB)        |
| 21   | LHLDWA151WJKZ  | AB         |          | J             | Wire Holder (Tray), x5            |
| 22   | LHLDWA163WJKZ  | AC         |          | J             | Wire Holder (Tray), x5            |
| 23   | LHLDWA172WJKZ  | AD         |          | R             | Wire Holder (Tray)                |
| 24   | PMLT-A487WJZZ  | AD         | N        | R             | Gasket (10x30x7)                  |
| 25   | PRDARA482WJ1W  | AV         | N        | R             | Main Radiator                     |
| 26   | PSLDM A702WJZZ | AD         |          | R             | Conductiv Shield (10x20), x3      |
| 27   | PSLDM B154WJQZ | AD         |          | J             | 13x30x10 Gasket                   |
| 28   | PSLDM B158WJ1W | AP         | N        | R             | Main Shiled                       |
| 29   | PSPA ZB312WJKZ | AD         | N        | J             | Spacer (25*25 T2.0)               |
| 30   | PSPA ZB313WJKZ | AC         |          | J             | Spacer (20*20 T2.0)               |
| 31   | QCNCMA673WJZZ  | AG         | N        | J             | Connector (B To B Plug 80)        |
| 32   | QCNW-F946WJQZ  | AH         | N        | R             | Connecting Cord (AC:POWERAC)      |
| 33   | QCNW-F947WJQZ  | AL         | N        | R             | Connecting Cord (PD:MAINPOWER)    |
| 34   | QCNW-F948WJQZ  | AK         | N        | R             | Connecting Cord (PE:TERMINPOWER)  |
| 35   | QCNW-G001WJQZ  | AR         | N        | R             | Connecting Cord (FE:MAINTERMINA)  |
| 36   | QCNW-G015WJQZ  | AL         |          | R             | Connecting Cord (SP:TERMINALSP)   |
| 37   | QEARZA108WJFW  | AE         | N        | R             | Earth Plate(L)                    |
| 38   | QEARZA109WJFW  | AD         | N        | R             | Earth Plate(S), x2                |
| 39   | RCORFA023WJZZ  | AK         |          | J             | Core (for SP Wire)                |
| 40   | RTUDAA014WJQZ  | AX         | N        | P             | Tuner                             |
| 41   | XBPS830P06000  | AA         |          | J             | Screw, x2 (FOR HDMI)              |
| 42   | XJPS730P08WS0  | AA         |          | J             | Screw, x22 (Main Pow Termin)      |
| 43   | LANGKB175WJ1A  |            |          | P             | Terminal Angle Bottom             |
| 44   | LANGKB248WJFW  |            |          | P             | Scart Angle                       |
| 45   | PSLDM B159WJ1W |            |          | P             | AV Shield                         |
| 46   | QCNW-G010WJQZ  |            |          | P             | Connecting Cord (KM:MAINKEY)      |
| 47   | QCNW-G013WJQZ  |            |          | P             | Connecting Cord (US:MAINMINI AV)  |
| 48   | QCNW-G014WJQZ  |            |          | P             | Connecting Cord (VD:SUBMINI AV)   |
| 49   | QCNW-G016WJQZ  |            |          | P             | Connecting Cord (LA1:POWERINV_R)  |
| 50   | QCNW-G017WJQZ  |            |          | P             | Connecting Cord (LA2:POWER-INV_L) |
| 51   | QCNW-G018WJQZ  |            |          | P             | Connecting Cord (LB:MAININV)      |
| 52   | QCNW-G178WJQZ  | AE         |          | S             | Connecting Cord (PL:POWER-LCDCTL) |
| 53   | QCNW-G179WJQZ  | AM         |          | S             | Connecting Cord (FR:MAIN-LCD)     |
| 54   | QCNW-G180WJQZ  | BC         |          | S             | Connecting Cord (LW:MAIN-LCDCTL)  |
| 55   | QCNW-G236WJQZ  | AH         |          | S             | Connecting Cord (RA:MAIN-LED)     |
| 56   | QPWBHE322WJQZ  | AX         |          | J             | FPC (HM:MAINMINI AV)              |
| 57   | XBBS830P08000  | AA         |          | J             | Screw (for Scart), x2             |
| 58   | XBBS930P04000  | AA         |          | J             | Screw (for Tuner Fix)             |
| 59   | XiPSN20P04000  | AA         |          | J             | Screw (for HDMI), x2              |
| 60   | LANGKB186WJ1W  |            | N        | P             | Panel Support Ang, x2             |
| 61   | LANGKB215WJ1W  |            | N        | P             | MINI AV Angle                     |
| 62   | PCOVP2609WJZZ  | AH         | N        | S             | Control Shield                    |
| 63   | PSLDM B179WJ1W |            | N        | P             | MINI AV Shield                    |
| 64   | PSPA ZB597WJKZ | AF         |          | S             | Cooling Sheet, x2                 |
| 65   | XBBS740P08000  | AA         |          | J             | Screw (for Center Ang), x14       |
| 66   | XBBS830P06000  | AA         |          | J             | Screw (Mini Av, Tay, Ctl), x11    |

LC-42XL2E/S/RU, LC-46XL2E/S/RU, LC-46X20E/S/RU, LC-52XL2E/S/RU, LC-52X20E/S/RU

| NO.  | PARTS CODE    | PRICE RANK | NEW MARK | PART DELIVERY | DESCRIPTION                   |
|--|---------------|------------|----------|---------------|-------------------------------|
| <b>[11] CABINET PARTS (LC-46X20E/S/RU)</b> |               |            |          |               |                               |
| 67   | XJPS730P08WS0 | AA         |          | J             | Screw, x13 (MINI-AV,SHILD)    |
| 68   | GCOVAC356WJ1A |            | N        | P             | Side AV Cover                 |
| 69   | LX-BZA170WJF9 |            |          | P             | Screw (for Rear Cabinet), x2  |
| 70   | LX-HZA003WJFN | AC         |          | J             | Screw (for SP), x2            |
| 71   | PSHEPA543WJZZ |            | N        | P             | Sheet for Boss, x2            |
| 72   | RSP-ZA261WJZZ | AY         | N        | P             | Speaker L                     |
| 73   | RSP-ZA262WJZZ | AY         | N        | P             | Speaker R                     |
| 74   | TLABZB620WJZZ | AE         | N        | S             | POP Label A AiLC-46X20E/S)    |
| 74   | TLABZB622WJZZ | AE         | N        | S             | POP Label A AiLC-46X20RU)     |
| 75   | TLABZB621WJZZ |            | N        | S             | POP Label B AiLC-46X20E/S)    |
| 75   | TLABZB623WJZZ |            | N        | S             | POP Label B AiLC-46X20RU)     |
| 76   | XBPS740P10JS0 |            |          | P             | Screw (for Rear Cabinet), x7  |
| 77   | XEBS930P10000 | AA         |          | J             | Screw (for Bottom Cover), x1  |
| 78   | XEBS940P16000 | AB         |          | J             | Screw (for Rear Cabinet), x14 |
| 79   | TLABNC117WJZZ |            |          | P             | Model Label                   |
| 80   | LX-BZA214WJ00 |            |          |               | Screw (for Rear Cabinet)      |
| 81   | PCOVZA105WJKZ |            | N        | P             | CI Card Cover                 |
| 82   | PSHEPA541WJZZ |            | N        | P             | Terminal Sheet                |
| 83   | PFLT-A079WJZZ |            |          |               | Conductive Tape 20x70         |
| 84   | RCORFA012WJZZ |            |          |               | Core, x2 (for US/RA, VD)      |
| 85   | LHLDWA175WJUJ |            | N        |               | Wire Holder, x8               |
| 86   | PFLT-A073WJZZ |            |          |               | Conductive Tape 30*90         |
| 87   | RCORF0103CEZZ |            |          |               | Core, x2 (for FR/LB, KM)      |
| 88   | RCORFA020WJZZ |            |          |               | Core (for LA2/LB/LC)          |
| 89   | LHLDW1033CE00 |            |          |               | Wire Holder                   |
| 90   | RCORFA012WJZZ |            |          |               | Core (for US/RA)              |
| 91   | LHLDWA186WJKZ |            | N        |               | Wire Holder (Main Shield)     |
| 92   | PSPAGA389WJZZ |            | N        |               | Spacer, x2                    |

[12] CABINET PARTS (LC-52XL2E/S/RU)



LC-42XL2E/S/RU, LC-46XL2E/S/RU, LC-46X20E/S/RU, LC-52XL2E/S/RU, LC-52X20E/S/RU

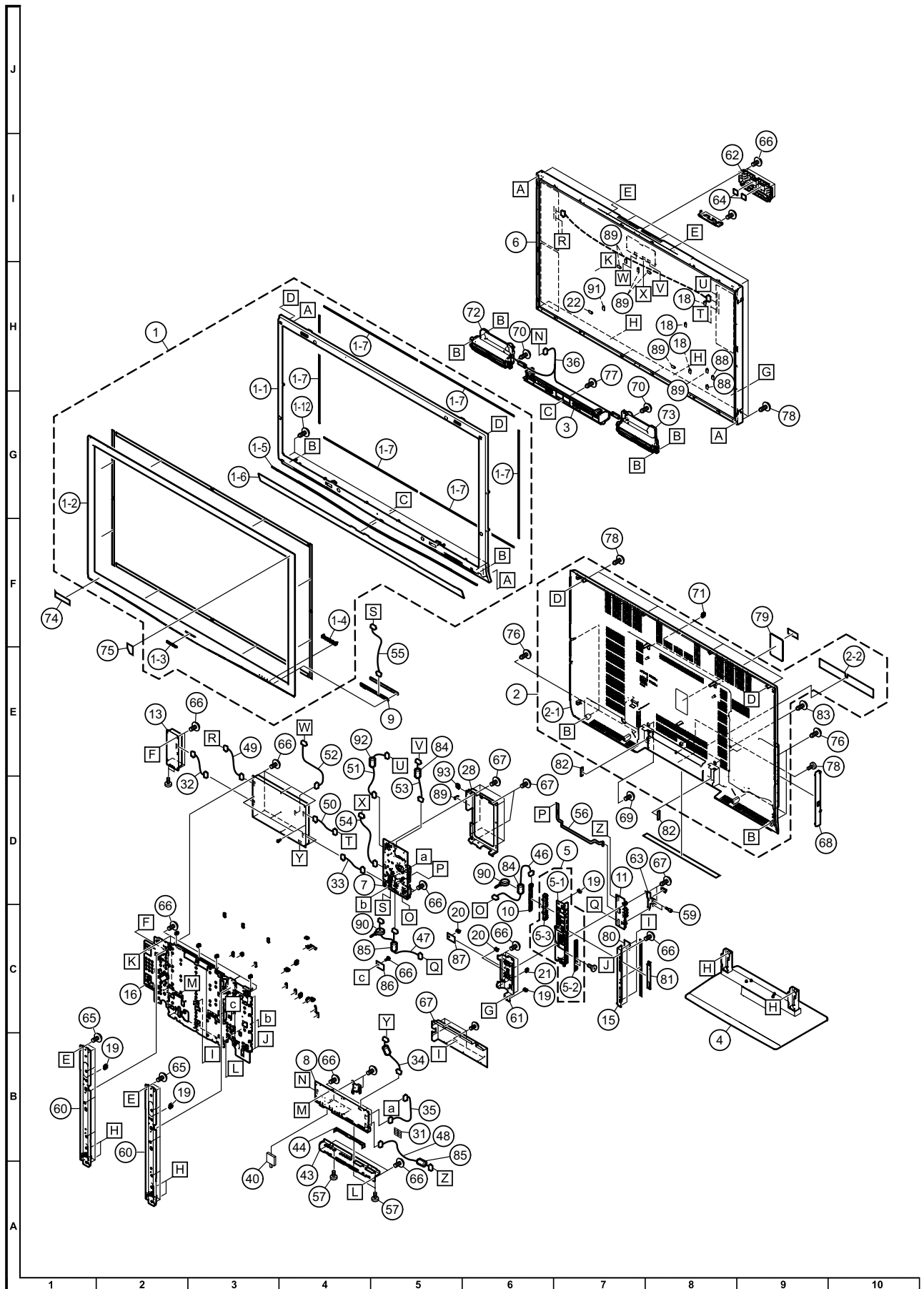
| NO.  | PARTS CODE     | PRICE RANK | NEW MARK | PART DELIVERY | DESCRIPTION                       |
|--|----------------|------------|----------|---------------|-----------------------------------|
| <b>[12] CABINET PARTS (LC-52XL2E/S/RU)</b> |                |            |          |               |                                   |
| 1  | CCABAB817WJ11  |            | N        | P             | Front Cabinet Ass'y               |
| 1-1  | Not Available  | -          | N        | -             | Front Cabinet                     |
| 1-3  | Not Available  | -          | N        | -             | Front Cover                       |
| 1-4  | HBDGBA061WJSA  | AF         |          | J             | Sharp Badge                       |
| 1-5  | Not Available  | -          |          | -             | Shine Trim                        |
| 1-6  | Not Available  | -          | N        | -             | Center Dec Holder                 |
| 1-7  | Not Available  | -          | N        | -             | Front Dec                         |
| 1-8  | Not Available  | -          | N        | -             | LED Decoration                    |
| 1-9  | Not Available  | -          | N        | -             | SP Sheet                          |
| 1-10                                       | Not Available  | -          | N        | -             | Mask Himeron, x6                  |
| 1-11                                       | Not Available  | -          | N        | -             | Front Cover Tape, x5              |
| 1-12                                       | Not Available  | -          | N        | -             | Front Cover Tape, x5              |
| 1-13                                       | Not Available  | -          | N        | -             | Spacer                            |
| 2  | CCABBB099WJ11  |            | N        | P             | Rear Cabnet Ass'y                 |
| 2-1  | Not Available  | -          | N        | -             | Rear Cabinet                      |
| 2-2  | Not Available  | -          | N        | -             | Terminal Label                    |
| 3  | CCOVAC336WJ11  |            | N        | P             | Bottom Cover Ass'y                |
| 3-1  | Not Available  | -          |          | -             | Bottom Cover F                    |
| 3-2  | Not Available  | -          |          | -             | Bottom Cov. Spc, x2               |
| 4  | CDAi-A397WJ12  |            | N        | P             | Stand Ass'y                       |
| 5  | CCOVAC391WJ11  |            | N        | P             | MINI AV Key Cover Ass'y           |
| 5-1  | Not Available  | -          | N        | -             | Side Key Cover                    |
| 5-2  | Not Available  | -          | N        | -             | MINI Terminal Label               |
| 5-3  | Not Available  | -          | N        | -             | Control Button                    |
| 6  | R1LK520D3LZ60Y |            | N        | J             | 52" Full HD LCD Panel Module      |
| 7  | DUNTKE186FM01  |            | N        | R             | MAIN Unit                         |
| 8  | DUNTKE187FM01  |            | N        | R             | TERMINAL Unit                     |
| 9  | DUNTKE264FM01  |            | N        | R             | R/C, LED Unit                     |
| 10   | DUNTKE266FM01  |            | N        | R             | KEY Unit                          |
| 11   | DUNTKE188FM01  |            | N        | R             | MINI AV Unit                      |
| 12   | DUNTKE270FM01  |            | N        | R             | ILLUMINATION Unit                 |
| 13   | RDENCA231WJQZ  |            | N        | P             | POWER Unit                        |
| 14   | RUNTKA311WJQZ  |            | N        | P             | AC Inlet Unit                     |
| 15   | LANGKB173WJ1A  | AN         | N        | R             | Side Terminal Angle               |
| 16   | LCHSMA386WJ1W  | BB         | N        | R             | Chassis Tray                      |
| 17   | LHLDDFA036WJKZ | AB         |          | J             | Wire Holder (Tray), x3            |
| 18   | LHLDDWA133WJKZ | AC         | N        | J             | Wire Holder (Tray)                |
| 19   | LHLDDWA143WJKZ | AC         |          | J             | Wire Holder (Tray), x8            |
| 20   | LHLDDWA144WJKZ | AC         | N        | R             | Wire Holder (Terminal PWB)        |
| 21   | LHLDDWA151WJKZ | AB         |          | J             | Wire Holder (Tray), x5            |
| 22   | LHLDDWA163WJKZ | AC         |          | J             | Wire Holder (Tray), x5            |
| 23   | LHLDDWA172WJKZ | AD         |          | R             | Wire Holder (Tray)                |
| 24   | PMLT-A487WJZZ  | AD         | N        | R             | Gasket (10x30x7)                  |
| 25   | PRDARA482WJ1W  | AV         | N        | R             | Main Radiator                     |
| 26   | PSLDMA702WJZZ  | AD         |          | R             | Conductiv Shield (10x20), x3      |
| 27   | PSLDMB154WJQZ  | AD         |          | J             | 13x30x10 Gasket                   |
| 28   | PSLDMB158WJ1W  | AP         | N        | R             | Main Shield                       |
| 29   | PSPA3B312WJKZ  | AD         | N        | J             | Spacer (25*25 T2.0)               |
| 30   | PSPA3B313WJKZ  | AC         |          | J             | Spacer (20*20 T2.0)               |
| 31   | QCNCMA673WJZZ  | AG         | N        | J             | Connector (B To B Plug 80)        |
| 32   | QCNW-F946WJQZ  | AH         | N        | R             | Connecting Cord (AC:POWERAC)      |
| 33   | QCNW-F947WJQZ  | AL         | N        | R             | Connecting Cord (PD:MAINPOWER)    |
| 34   | QCNW-F948WJQZ  | AK         | N        | R             | Connecting Cord (PE:TERMINPOWER)  |
| 35   | QCNW-G001WJQZ  | AR         | N        | R             | Connecting Cord (FE:MAINTERMINA)  |
| 36   | QCNW-F995WJQZ  |            | N        | R             | Connecting Cord (SP:TERMINALSP)   |
| 37   | QEARZA108WJFW  | AE         | N        | R             | Earth Plate(L)                    |
| 38   | QEARZA109WJFW  | AD         | N        | R             | Earth Plate(S), x2                |
| 39   | RCORFA023WJZZ  | AK         |          | J             | Core (for SP Wire)                |
| 40   | RTUDAA014WJQZ  | AX         | N        | P             | Tuner                             |
| 41   | XBBS830P06000  | AA         |          | J             | Screw, x2 (FOR HDMI)              |
| 42   | XJPS730P08WS0  | AA         |          | J             | Screw, x22 (Main Pow Termin)      |
| 43   | LANGKB175WJ1A  |            |          | P             | Terminal Angle Bottom             |
| 44   | LANGKB248WJFW  |            |          | P             | Scart Angle                       |
| 45   | QCNW-F950WJQZ  |            |          | P             | Connecting Cord (LW:MAINLCDCTL)   |
| 46   | QCNW-F968WJQZ  |            |          | P             | Connecting Cord (PL:POWERLCDCTL)  |
| 47   | QCNW-F990WJQZ  |            |          | P             | Connecting Cord (KM:MAINKEY)      |
| 48   | QCNW-F991WJQZ  |            |          | P             | Connecting Cord (RA:MAINLED)      |
| 49   | QCNW-F993WJQZ  |            |          | P             | Connecting Cord (US:MAINMINI AV)  |
| 50   | QCNW-F994WJQZ  |            |          | P             | Connecting Cord (VD:SUBMINI AV)   |
| 51   | QCNW-F996WJQZ  |            |          | P             | Connecting Cord (LA1:POWERINV_R)  |
| 52   | QCNW-F997WJQZ  |            |          | P             | Connecting Cord (LA2:POWER-INV_L) |
| 53   | QCNW-F998WJQZ  |            |          | P             | Connecting Cord (LB:MAININV)      |
| 54   | QPWBHE323WJQZ  | AY         |          | J             | FPC (HM:MAINMINI AV)              |
| 55   | XBBS830P08000  | AA         |          | J             | Screw (for Scart), x2             |
| 56   | XBBS930P04000  | AA         |          | J             | Screw (for Tuner Fix), x1         |
| 57   | XiPSN20P04000  | AA         |          | J             | Screw (for HDMI), x2              |
| 58   | LANGKB185WJ1W  |            | N        | P             | Panel Support Ang, x2             |
| 59   | LANGKB215WJ1W  |            | N        | P             | MINI AV Angle                     |
| 60   | PCOVP2605WJZZ  | AM         | N        | J             | Control Shield                    |
| 61   | PRDARA513WJFW  |            | N        | P             | Heat Sink                         |
| 62   | PSLDMB159WJ1W  |            |          | P             | AV Shield                         |
| 63   | PSLDMB179WJ1W  |            | N        | P             | MINI AV Shield                    |
| 64   | PSPA3B313WJKZ  | AC         |          | J             | Sheet (20x20x2.0), x2             |
| 65   | PSPA3B611WJKZ  |            | N        | P             | Sheet (10x50x7.5), x2             |

LC-42XL2E/S/RU, LC-46XL2E/S/RU, LC-46X20E/S/RU, LC-52XL2E/S/RU, LC-52X20E/S/RU

| NO.  | PARTS CODE     | PRICE RANK | NEW MARK | PART DELIVERY | DESCRIPTION                    |
|--|----------------|------------|----------|---------------|--------------------------------|
| <b>[12] CABINET PARTS (LC-52XL2E/S/RU)</b> |                |            |          |               |                                |
| 66   | PSPA ZB612WJKZ |            | N        | P             | Sheet (10x15x8.5)              |
| 67   | PSPA ZB613WJKZ |            | N        | P             | Sheet (12x12x2.5), x3          |
| 68   | PSPA ZB614WJKZ |            | N        | P             | Sheet (30x30x1.5)              |
| 69   | XBBS740P08000  | AA         |          | J             | Screw (for Center Ang), x14    |
| 70   | XBBS830P06000  | AA         |          | J             | Screw (Mini Av, Tay, Ctl), x16 |
| 71   | XBPS730P04WS0  | AA         |          | J             | Screw (for Heatsink), x4       |
| 72   | XJPS730P08WS0  | AA         |          | J             | Screw (Mini Av, Shield), x11   |
| 73   | GCOVAC356WJ1A  |            | N        | P             | Side AV Cover                  |
| 74   | LX-BZA170WJF9  |            |          | P             | Screw (for Rear Cabinet), x2   |
| 75   | LX-HZA003WJFN  | AC         |          | J             | Screw (for SP), x2             |
| 76   | PCOVZA105WJKZ  |            | N        | P             | CI Card Cover                  |
| 77   | PSHEPA541WJZZ  |            | N        | P             | Terminal Sheet                 |
| 78   | PSHEPA543WJZZ  |            | N        | P             | Sheet for Boss, x2             |
| 79   | QCNW-F992WJQZ  |            | N        | P             | Connecting Cord (IL:LEDILLU)   |
| 80   | RSP-ZA261WJZZ  | AY         | N        | P             | Speaker L                      |
| 81   | RSP-ZA262WJZZ  | AY         | N        | P             | Speaker R                      |
| 82   | TLABZB617WJZZ  |            | N        | P             | Pop Label (LC-52XL2E/S)        |
| 82   | TLABZB619WJZZ  |            | N        | P             | Pop Label (LC-52XL2RU)         |
| 83   | TLABZB616WJZZ  |            | N        | P             | Pop Label A (LC-52XL2E/S)      |
| 83   | TLABZB618WJZZ  |            | N        | P             | Pop Label A (LC-52XL2RU)       |
| 84   | XBPS740P10JS0  |            |          | P             | Screw (for Rear Cabinet), x8   |
| 85   | XEBS930P10000  | AA         |          | J             | Screw (for Bottom Cover), x1   |
| 86   | XEBS940P16000  | AB         |          | J             | Screw (for Rear Cabinet), x15  |
| 88   | TLABNC117WJZZ  |            |          | P             | Model Label                    |
| 89   | LHLDWA186WJKZ  |            | N        |               | Wire Holder (Main Shield)      |
| 90   | LHLDW1173CEZZ  |            |          |               | Wire Holder (SP wire)          |



[13] CABINET PARTS (LC-52X20E/S/RU)



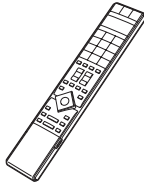

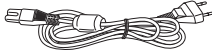

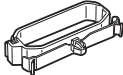
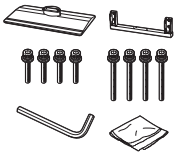
LC-42XL2E/S/RU, LC-46XL2E/S/RU, LC-46X20E/S/RU, LC-52XL2E/S/RU, LC-52X20E/S/RU

| NO.  | PARTS CODE     | PRICE RANK | NEW MARK | PART DELIVERY | DESCRIPTION                       |
|--|----------------|------------|----------|---------------|-----------------------------------|
| <b>[13] CABINET PARTS (LC-52X20E/S/RU)</b> |                |            |          |               |                                   |
| 1  | CCABAB821WJ11  |            | N        | P             | Front Cabinet Ass'y               |
| 1-1  | Not Available  | -          | N        | -             | Front Cabinet                     |
| 1-2  | Not Available  | -          | N        | -             | Frot Cover                        |
| 1-3  | HBDGBA061WJSA  | AF         |          | J             | Sharp Badge                       |
| 1-4  | Not Available  | -          | N        | -             | LED Decoration                    |
| 1-5  | Not Available  | -          | N        | -             | Shine Trim                        |
| 1-6  | Not Available  | -          | N        | -             | Speaker Sheet                     |
| 1-7  | Not Available  | -          | N        | -             | Mask Himeron, x6                  |
| 1-8  | PSPA ZB194WJZZ | AE         |          | J             | Front Cover Tape, x6              |
| 1-9  | Not Available  | -          | N        | -             | Front Cover Tape A, x2            |
| 1-10                                       | Not Available  | -          | N        | -             | Front Cover Tape B                |
| 1-11                                       | Not Available  | -          | N        | -             | Front Cover Tape C                |
| 1-12                                       | XJPS730P08WS0  | AA         |          | J             | Screw, x3 (Main Pow Termin)       |
| 2  | CCABBB099WJ11  |            | N        | P             | Rear Cabnet Ass'y                 |
| 2-1  | Not Available  | -          | N        | -             | Rear Cabinet                      |
| 2-2  | Not Available  | -          | N        | -             | Terminal Label                    |
| 3  | CCOVAC336WJ11  |            | N        | P             | Bottom Cover Ass'y                |
| 3-1  | Not Available  | -          | N        | -             | Bottom Cover F                    |
| 3-2  | Not Available  | -          | N        | -             | Bottom Cov Spc, x2                |
| 4  | CDAi-A376WJ12  | BN         | N        | S             | Stand Ass'y                       |
| 5  | CCOVAC391WJ11  |            | N        | P             | MINI AV Key Cover Ass'y           |
| 5-1  | Not Available  | -          | N        | -             | MINI AV Key Cover                 |
| 5-2  | Not Available  | -          | N        | -             | MINI Terminal Label               |
| 5-3  | Not Available  | -          | N        | -             | Control Button                    |
| 6  | R1LK520D3LZ50Y |            | N        | J             | 52" Full HD LCD Panel Module      |
| 7  | DUNTKE186FM02  |            | N        | R             | MAIN Unit                         |
| 8  | DUNTKE187FM02  |            | N        | R             | TERMINAL Unit                     |
| 9  | DUNTKE264FM01  |            | N        | R             | R/C, LED Unit                     |
| 10   | DUNTKE266FM01  |            | N        | R             | KEY Unit                          |
| 11   | DUNTKE188FM01  |            | N        | R             | MINI AV Unit                      |
| 13   | RDENCA231WJQZ  |            | N        | P             | POWER Unit                        |
| 14   | RUNTKA311WJQZ  |            | N        | P             | AC INLET Unit                     |
| 15   | LANGKB173WJ1A  | AN         | N        | R             | Side Terminal Angle               |
| 16   | LCHSMA386WJ1W  | BB         | N        | R             | Chassis Tray                      |
| 17   | LHLDF A036WJKZ | AB         |          | J             | Wire Holder (Tray), x3            |
| 18   | LHLDWA133WJKZ  | AC         | N        | J             | Wire Holder (Tray)                |
| 19   | LHLDWA143WJKZ  | AC         |          | J             | Wire Holder (Tray), x8            |
| 20   | LHLDWA144WJKZ  | AC         | N        | R             | Wire Holder (Terminal PWB)        |
| 21   | LHLDWA151WJKZ  | AB         |          | J             | Wire Holder (Tray), x5            |
| 22   | LHLDWA163WJKZ  | AC         |          | J             | Wire Holder (Tray), x5            |
| 23   | LHLDWA172WJKZ  | AD         |          | R             | Wire Holder (Tray)                |
| 24   | PMLT-A487WJZZ  | AD         | N        | R             | Gasket (10x30x7)                  |
| 25   | PRDARA482WJ1W  | AV         | N        | R             | Main Radiator                     |
| 26   | PSLDM A702WJZZ | AD         |          | R             | Conductiv Shield (10x20), x3      |
| 27   | PSLDM B154WJQZ | AD         |          | J             | 13x30x10 Gasket                   |
| 28   | PSLDM B158WJ1W | AP         | N        | R             | Main Shiled                       |
| 29   | PSPA ZB312WJKZ | AD         | N        | J             | Spacer (25*25 T2.0)               |
| 30   | PSPA ZB313WJKZ | AC         |          | J             | Spacer (20*20 T2.0)               |
| 31   | QCNCMA673WJZZ  | AG         | N        | J             | Connector (B To B Plug 80)        |
| 32   | QCNW-F946WJQZ  | AH         | N        | R             | Connecting Cord (AC:POWERAC)      |
| 33   | QCNW-F947WJQZ  | AL         | N        | R             | Connecting Cord (PD:MAINPOWER)    |
| 34   | QCNW-F948WJQZ  | AK         | N        | R             | Connecting Cord (PE:TERMINPOWER)  |
| 35   | QCNW-G001WJQZ  | AR         | N        | R             | Connecting Cord (FE:MAINTERMINA)  |
| 36   | QCNW-F995WJQZ  |            | N        | R             | Connecting Cord (SP:TERMINALSP)   |
| 37   | QEARZA108WJFW  | AE         | N        | R             | Earth Plate(L)                    |
| 38   | QEARZA109WJFW  | AD         | N        | R             | Earth Plate(S), x2                |
| 39   | RCORFA023WJZZ  | AK         |          | J             | Core (for SP Wire)                |
| 40   | RTUDAA014WJQZ  | AX         | N        | P             | Tuner                             |
| 41   | XBBS830P06000  | AA         |          | J             | Screw, x2 (FOR HDMI)              |
| 42   | XJPS730P08WS0  | AA         |          | J             | Screw, x22 (Main Pow Termin)      |
| 43   | LANGKB175WJ1A  |            |          | P             | Terminal Angle Bottom             |
| 44   | LANGKB248WJFW  |            |          | P             | Scart Angle                       |
| 45   | PSLDM B159WJ1W |            |          | P             | AV Shield                         |
| 46   | QCNW-F990WJQZ  |            |          | P             | Connecting Cord (KM:MAINKEY)      |
| 47   | QCNW-F993WJQZ  |            |          | P             | Connecting Cord (US:MAINMINI_AV)  |
| 48   | QCNW-F994WJQZ  |            |          | P             | Connecting Cord (VD:SUBMINI_AV)   |
| 49   | QCNW-F996WJQZ  |            |          | P             | Connecting Cord (LA1:POWERINV_R)  |
| 50   | QCNW-F997WJQZ  |            |          | P             | Connecting Cord (LA2:POWER-INV_L) |
| 51   | QCNW-F998WJQZ  |            |          | P             | Connecting Cord (LB:MAININV)      |
| 52   | QCNW-G178WJQZ  | AE         |          | S             | Connecting Cord (PL:POWER-LCDCTL) |
| 53   | QCNW-G179WJQZ  | AM         |          | S             | Connecting Cord (FR:MAIN-LCD)     |
| 54   | QCNW-G180WJQZ  | BC         |          | S             | Connecting Cord (LW:MAIN-LCDCTL)  |
| 55   | QCNW-G235WJQZ  |            |          | P             | Connecting Cord (RA:MAIN-LED)     |
| 56   | QPWBHE323WJQZ  | AY         |          | J             | FPC (HM:MAINMINI_AV)              |
| 57   | XBBS830P08000  | AA         |          | J             | Screw (for Scart), x2             |
| 58   | XBBS930P04000  | AA         |          | J             | Screw (for Tuner Fix)             |
| 59   | XiPSN20P04000  | AA         |          | J             | Screw (for HDMI), x2              |
| 60   | LANGKB185WJ1W  |            | N        | P             | Panel Support Ang, x2             |
| 61   | LANGKB215WJ1W  |            | N        | P             | MINI AV Angle                     |
| 62   | PCOVP2609WJZZ  | AH         | N        | S             | Control Shield                    |
| 63   | PSLDM B179WJ1W |            | N        | P             | MINI AV Shield                    |
| 64   | PSPA ZB597WJKZ | AF         |          | S             | Cooling Sheet, x2                 |
| 65   | XBBS740P08000  | AA         |          | J             | Screw (for Center Ang), x14       |
| 66   | XBBS830P06000  | AA         |          | J             | Screw (Mini Av, Tay,Ctl), x17     |

LC-42XL2E/S/RU, LC-46XL2E/S/RU, LC-46X20E/S/RU, LC-52XL2E/S/RU, LC-52X20E/S/RU

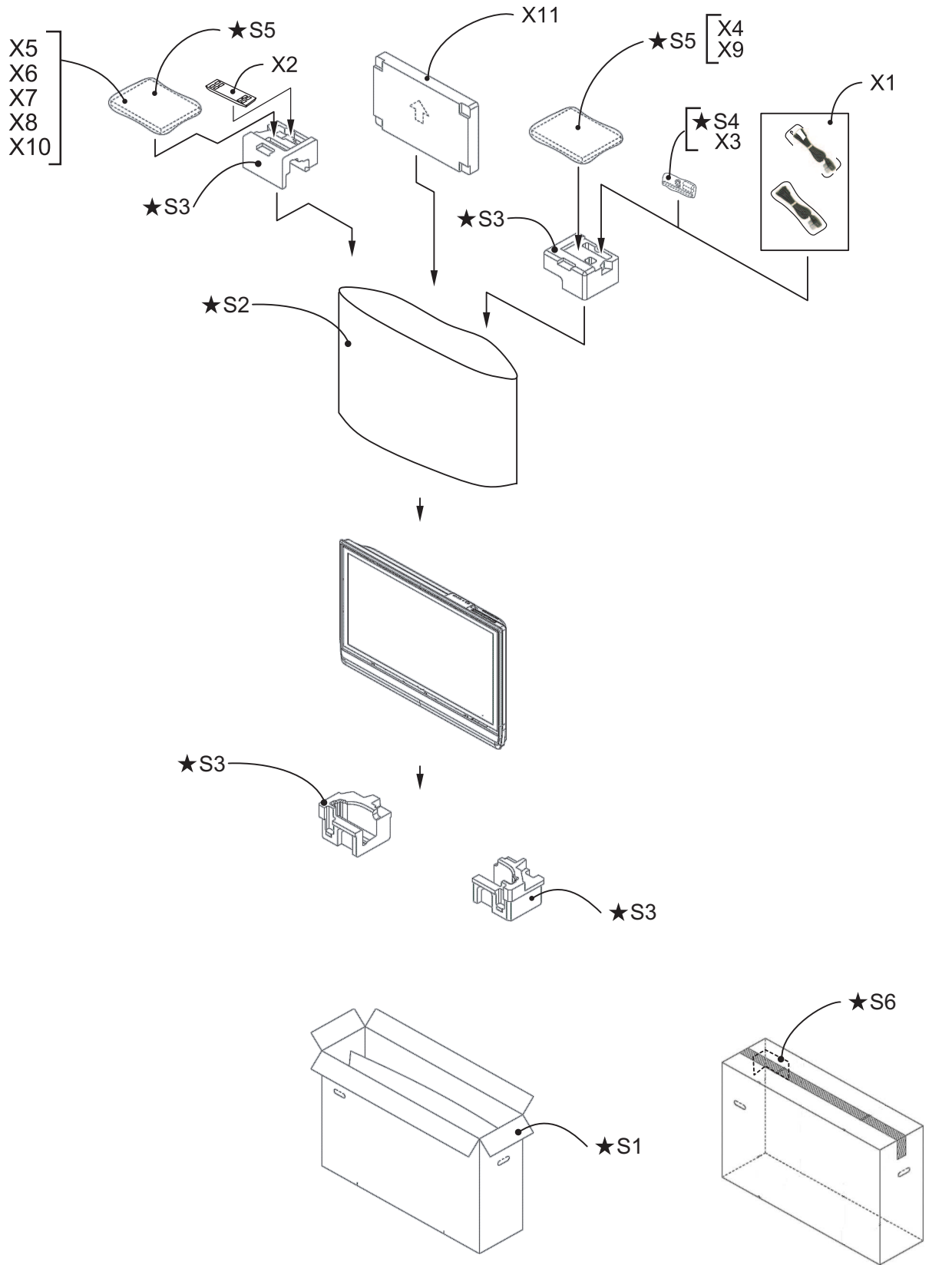
| NO.  | PARTS CODE    | PRICE RANK | NEW MARK | PART DELIVERY | DESCRIPTION                   |
|--|---------------|------------|----------|---------------|-------------------------------|
| <b>[13] CABINET PARTS (LC-52X20E/S/RU)</b> |               |            |          |               |                               |
| 67   | XJPS730P08WS0 | AA         |          | J             | Screw, x11 (MINI-AV,SHILD)    |
| 68   | GCOVAC356WJ1A |            | N        | P             | Side AV Cover                 |
| 69   | LX-BZA170WJF9 |            |          | P             | Screw (for Rear Cabinet), x2  |
| 70   | LX-HZA003WJFN | AC         |          | J             | Screw (for SP), x2            |
| 71   | PSHEPA543WJZZ |            | N        | P             | Sheet for Boss, x2            |
| 72   | RSP-ZA261WJZZ | AY         | N        | P             | Speaker L                     |
| 73   | RSP-ZA262WJZZ | AY         | N        | P             | Speaker R                     |
| 74   | TLABZB620WJZZ | AE         | N        | S             | POP Label AAiLC-52X20E(S)     |
| 74   | TLABZB622WJZZ | AE         | N        | S             | POP Label AAiLC-52X20RU)      |
| 75   | TLABZB617WJZZ |            | N        | P             | POP Label 52                  |
| 76   | XBPS740P10JS0 |            |          | P             | Screw (for Rear Cabinet), x7  |
| 77   | XEBS930P10000 | AA         |          | J             | Screw (for Bottom Cover), x1  |
| 78   | XEBS940P16000 | AB         |          | J             | Screw (for Rear Cabinet), x15 |
| 79   | TLABNC117WJZZ |            |          | P             | Model Label                   |
| 80   | PCOVZA105WJKZ |            | N        | P             | CI Card Cover                 |
| 81   | PSHEPA541WJZZ |            | N        | P             | Terminal Sheet                |
| 82   | PSPAGA389WJZZ |            | N        |               | Spacer, x2                    |
| 83   | LX-BZA214WJ00 |            |          |               | Screw (for Rear Cabinet)      |
| 84   | RCORF0103CEZZ |            |          |               | Core, x2 (for LP/LB, KM)      |
| 85   | RCORFA012WJZZ |            |          |               | Core, x2 (for US/RA, VD)      |
| 86   | PFLT-A079WJZZ |            |          |               | Conductive Tape 20x70         |
| 87   | PFLT-A073WJZZ |            |          |               | Conductive Tape 30*90         |
| 88   | LHLDWA141WJZZ |            |          |               | Wire Holder, x2               |
| 89   | LHLDWA175WJUJ |            | N        |               | Wire Holder, x7               |
| 90   | LHLDW1033CE00 |            |          |               | Wire Holder (for KM)          |
| 91   | LHLDW1173CEZZ |            |          |               | Wire Holder                   |
| 92   | RCORFA020WJZZ |            |          |               | Core (for LA2/LB/LC)          |
| 93   | LHLDWA186WJKZ |            | N        |               | Wire Holder                   |

**[14] SUPPLIED ACCESSORIES (LC-42/46/52XL2E/S/RU)**

|  |  |   |
|--|--|---|
| <p>X2 Remote control unit (LC-42/46/52XL2E/S/RU)</p>    | <p>Remote control unit (LC-46/52XL20E/S/RU)</p>  |   |
| <p>X1 AC cord<br/>(For Europe, except U.K. and Eire)</p>    | <p>(For U.K. and Eire)</p>                        | <p>X3 Cable clamp</p>   |
| <p>U.K. type 3-pin AC cord is only included with models for U.K. and Eire.</p>   |  | <p>X11 Stand unit</p>  |
| <p>X4 Guarrantee Card (R only)<br/>                 X5 Guarrantee Card (E only)<br/>                 X6 AQUOS Care Plan (E only)<br/>                 X7 Operation Manual (ENGLISH..)<br/>                 X8 Operation Manual (SWEDISH..)<br/>                 X9 Operation Manual (RUSSIAN..)<br/>                 X10 Operation Manual (POLISH..)</p> |  |   |

| NO.   | PARTS CODE | PRICE RANK    | NEW MARK | PART DELIVERY | DESCRIPTION   |
|---|------------|---------------|----------|---------------|---|
| <b>[14] SUPPLIED ACCESSORIES (LC-42/46/52XL2E/S/RU)</b>             |            |               |          |               |   |
|   | X1         | QACCBA073WJPZ | AV       |               | P AC Cord (for UK and Eire)                             |
|   | X1         | QACCKA021WJPZ |          |               | P AC Cord (for Europe without UK and Eire)              |
|   | X2         | RRMCGA585WJSA |          | N             | P Remote Control Unit (LC-42/46/52XL2E/S/RU)            |
|   | X2         | RRMCGA586WJSA | AT       | N             | P Remote Control Unit (LC-46/52X20E/S/RU)               |
|   | X3         | LHLDWA173WJKZ |          | N             | P Cable Clamp   |
|   | X4         | TGAN-A077WJZZ | AD       |               | J Guarrantee Card (R only)                              |
|   | X5         | TGAN-A801WJZZ |          |               | P Guarrantee Card (E only)                              |
|   | X6         | TGAN-A802WJZZ |          |               | P AQUOS Care Plan (E only)                              |
|   | X7         | -             | -        | N             | - Operation Manual (ENGLISH..) (for "E" and "S" models) |
|   | X8         | -             | -        | N             | - Operation Manual (SWEDISH..) (for "E" and "S" models) |
|   | X9         | -             | -        | N             | - Operation Manual (RUSSIAN..) (for "RU" models)        |
|   | X10        | -             | -        | N             | - Operation Manual (POLISH..) (for "E" models)          |
|   | X11        | CDAi-A398WJ12 |          | N             | P Stand Ass'y (LC-42XL2E/S/RU)                          |
|   | X11        | CDAi-A397WJ12 |          | N             | P Stand Ass'y (LC-46/52XL2E/S/RU)                       |
|   | X11        | CDAi-A376WJ12 | BN       | N             | S Stand Ass'y (LC-46/52X20E/S/RU)                       |
| <b>[15] OPERATION MANUALS (SMPL models: (LC-42/46/52XL2E/S/RU))</b> |            |               |          |               |   |
|   | X7         | TiNS-D177WJZZ |          | N             | P Operation Manual (ENGLISH..) (LC-42/46/52XL2E/S)      |
|   | X8         | TiNS-D178WJZZ |          | N             | P Operation Manual (SWEDISH..) (LC-42/46/52XL2E/S)      |
|   | X9         | TiNS-D179WJZZ |          | N             | P Operation Manual (RUSSIAN..) (LC-42/46/52XL2E/S)      |
|   | X10        | TiNS-D180WJZZ |          | N             | P Operation Manual (POLISH..) (LC-42/46/52XL2E)         |
| <b>[16] OPERATION MANUALS (SMPL models:LC-46/52X20E/S/RU)</b>       |            |               |          |               |   |
|   | X7         | TiNS-D181WJZZ |          | N             | P Operation Manual (ENGLISH..) (LC-46/52X20E/S)         |
|   | X8         | TiNS-D182WJZZ |          | N             | P Operation Manual (SWEDISH..) (LC-46/52X20E/S)         |
|   | X9         | TiNS-D184WJZZ |          | N             | P Operation Manual (RUSSIAN..) (LC-46/52X20E/S)         |
|   | X10        | TiNS-D183WJZZ |          | N             | P Operation Manual (POLISH..) (LC-46/52X20E)            |
| <b>[17] OPERATION MANUALS (SEES models:LC-46/52X20E/S/RU)</b>       |            |               |          |               |   |
|   | X7         | TiNS-D362WJZZ |          | N             | P Operation Manual (ENGLISH..) (LC-46/52X20E/S)         |
|   | X8         | TiNS-D363WJZZ |          | N             | P Operation Manual (SWEDISH..) (LC-46/52X20E/S)         |
|   | X9         | TiNS-D365WJZZ |          | N             | P Operation Manual (RUSSIAN..) (LC-46/52X20E/S)         |
|   | X10        | TiNS-D364WJZZ |          | N             | P Operation Manual (POLISH..) (LC-46/52X20E)            |

[18] PACKING PARTS (LC-42XL2E/S/RU)

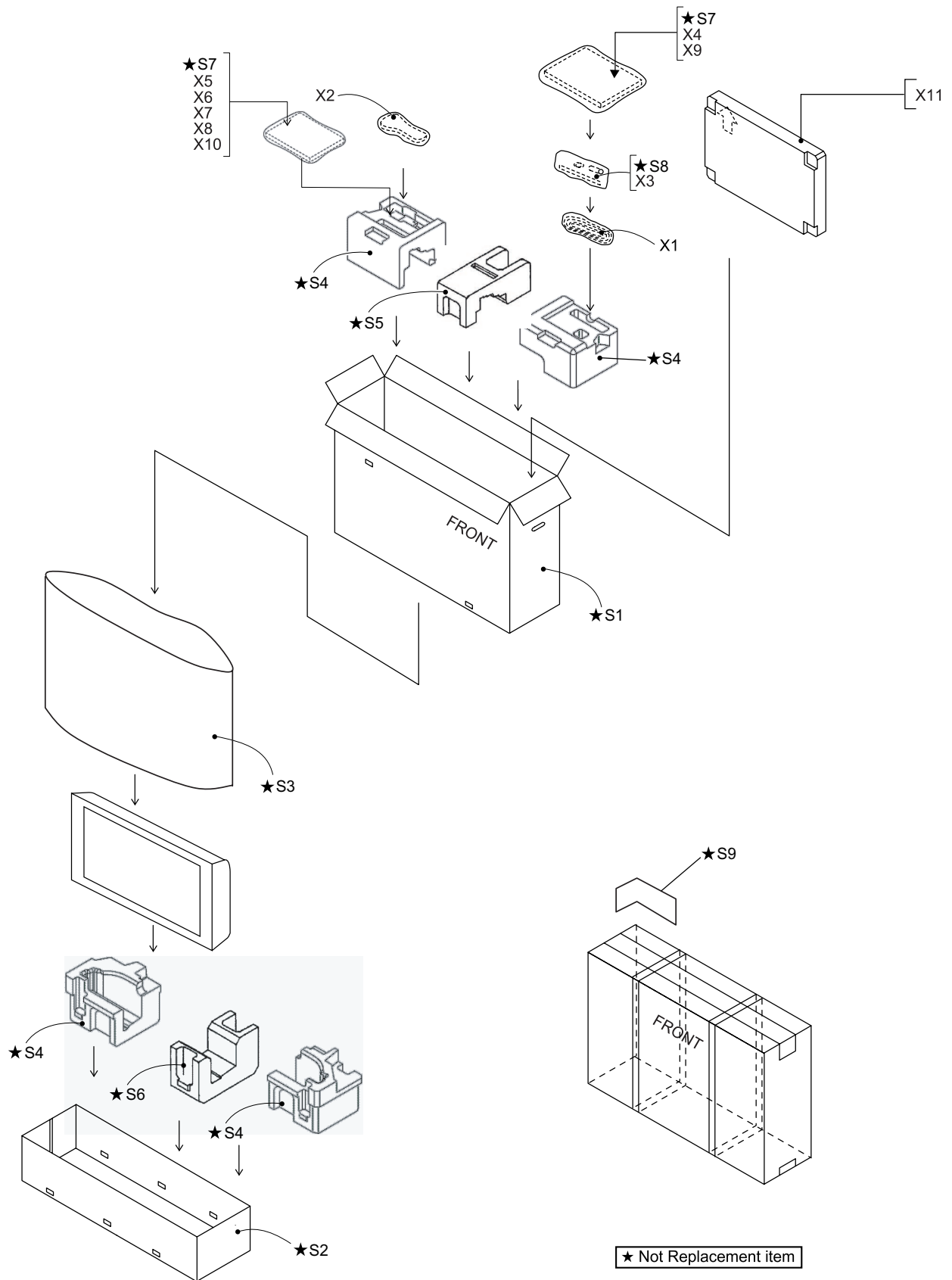


★ Not Replacement item

LC-42XL2E/S/RU, LC-46XL2E/S/RU, LC-46X20E/S/RU, LC-52XL2E/S/RU, LC-52X20E/S/RU

| NO.  | PARTS CODE    | PRICE RANK | NEW MARK | PART DELIVERY | DESCRIPTION                |
|--|---------------|------------|----------|---------------|----------------------------|
| <b>[18] PACKING PARTS (LC-42XL2E/S/RU)</b> |               |            |          |               |                            |
| S1   | SPAKCD532WJZZ | -          | N        | -             | Packing Case (LC-42XL2E/S) |
| S1   | SPAKCD532WJZZ | -          | N        | -             | Packing Case (LC-42XL2RU)  |
| S2   | SPAKPA758WJZZ | -          | -        | -             | Wrapping Paper             |
| S3   | SPAKXB535WJZZ | -          | N        | -             | Buffer Material            |
| S4   | SSAKAA009WJZZ | -          | -        | -             | Polyethylene Bag           |
| S5   | SSAKAA010WJZZ | -          | -        | -             | Polyethylene Bag           |
| S6   | TLABM5584BMZZ | -          | -        | -             | Case Label                 |

**[19] PACKING PARTS (LC-46XL2E/S/RU, 46X20E/S/RU)**

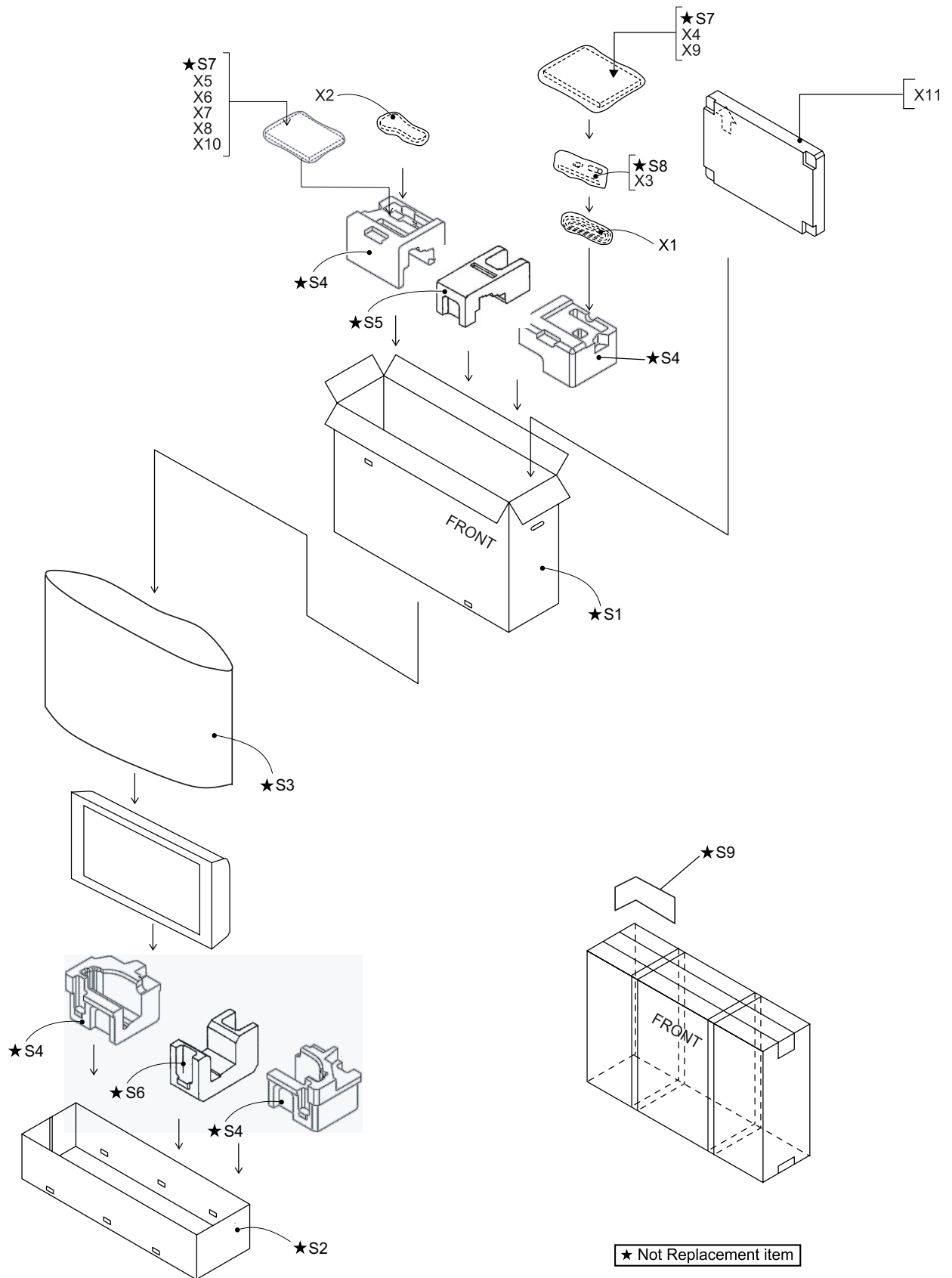


LC-42XL2E/S/RU, LC-46XL2E/S/RU, LC-46X20E/S/RU, LC-52XL2E/S/RU, LC-52X20E/S/RU

| NO.   | PARTS CODE    | PRICE RANK | NEW MARK | PART DELIVERY | DESCRIPTION                      |
|---|---------------|------------|----------|---------------|----------------------------------|
| <b>[19] PACKING PARTS (LC-46XL2E/S/RU, 46X20E/S/RU)</b> |               |            |          |               |                                  |
| S1  | SPAKCD522WJZZ | -          | N        | -             | Packing Case (Top) (LC-46XL2E/S) |
| S1  | SPAKCD526WJZZ | -          | N        | -             | Packing Case (Top) (LC-46X20E/S) |
| S1  | SPAKCD531WJZZ | -          | N        | -             | Packing Case (Top) (LC-46XL2RU)  |
| S1  | SPAKCD535WJZZ | -          | N        | -             | Packing Case (Top) (LC-46X20RU)  |
| S2  | SPAKCD540WJZZ | -          | N        | -             | Packing Case (Bottom)            |
| S3  | SPAKPA711WJZZ | -          | -        | -             | Wrapping Paper                   |
| S4  | SPAKXB534WJZZ | -          | N        | -             | Top Pad                          |
| S5  | SPAKXB543WJZZ | -          | N        | -             | Buffer Material (Top C)          |
| S6  | SPAKXB549WJZZ | -          | N        | -             | Buffer Material (Bottom C)       |
| S7  | SSAKAA009WJZZ | -          | -        | -             | Polyethylene Bag                 |
| S8  | SSAKAA010WJZZ | -          | -        | -             | Polyethylene Bag                 |
| S9  | TLABM5584BMZZ | -          | -        | -             | Case Label                       |



**[20] PACKING PARTS (LC-52XL2E/S/RU, 52X20E/S/RU)**



LC-42XL2E/S/RU, LC-46XL2E/S/RU, LC-46X20E/S/RU, LC-52XL2E/S/RU, LC-52X20E/S/RU

| NO.   | PARTS CODE    | PRICE RANK | NEW MARK | PART DELIVERY | DESCRIPTION  |
|---|---------------|------------|----------|---------------|--|
| <b>[20] PACKING PARTS (LC-52XL2E/S/RU, 52X20E/S/RU)</b> |               |            |          |               |  |
| S1  | SPAKCD521WJZZ | -          | N        | -             | Packing Case (Top) (LC-52XL2E/S)                   |
| S1  | SPAKCD525WJZZ | -          | N        | -             | Packing Case (Top) (LC-52X20E/S)                   |
| S1  | SPAKCD530WJZZ | -          | N        | -             | Packing Case (Top) (LC-52XL2RU)                    |
| S1  | SPAKCD534WJZZ | -          | N        | -             | Packing Case (Top) (LC-52X20RU)                    |
| S2  | SPAKCD539WJZZ | -          | N        | -             | Packing Case (Bottom)                              |
| S3  | SPAKPA712WJZZ | -          | N        | -             | Wrapping Paper                                     |
| S4  | SPAKXB533WJZZ | -          | N        | -             | Top Pad  |
| S5  | SPAKXB542WJZZ | -          | N        | -             | Buffer Material (Top C)                            |
| S6  | SPAKXB548WJZZ | -          | N        | -             | Buffer Material (Bottom C)                         |
| S7  | SSAKAA009WJZZ | -          | -        | -             | Polyethylene Bag                                   |
| S8  | SSAKAA010WJZZ | -          | -        | -             | Polyethylene Bag                                   |
| S9  | TLABM5584BMZZ | -          | -        | -             | Case Label   |
| <b>[21] SERVICE JIGS</b>                                |               |            |          |               |  |
| N   | QCNW-G440WJQZ | AP         | N        | J             | 4-5pins L=1000mm, Main to Key                      |
| N   | QCNW-G441WJQZ | AW         | N        | J             | 15pins L=1000mm, Main to R/C, LED                  |
| N   | QCNW-G442WJQZ | AK         | N        | J             | 2pins L=1000mm, R/C, LED to ILLUMINATION           |
| N   | QCNW-G443WJQZ | AY         | N        | J             | 14-14/3pins L=1135mm, MiniAV to Main               |
| N   | QCNW-G444WJQZ | AY         | N        | J             | 15pins L=1000mm, MiniAV to Terminal                |
| N   | QCNW-G445WJQZ | AP         | N        | J             | 4-2/2pins L=1000mm, Terminal to Speaker            |
| N   | QCNW-G446WJQZ | AV         | N        | J             | 12pins L=1000mm, Main to Power                     |
| N   | QCNW-G447WJQZ | AS         | N        | J             | 6pins L=1000mm, Terminal to Power                  |
| N   | QCNW-G448WJQZ | AP         | N        | J             | 9pins L=1000mm, Main to Inverter                   |
| N   | QCNW-G449WJQZ | AU         | N        | J             | 12-11/4pins L=1000mm, LCD Controller to Main/Power |
| N   | QCNW-G616WJQZ | BK         | N        | J             | 41pins L=1000mm, Main to LCD Controller            |