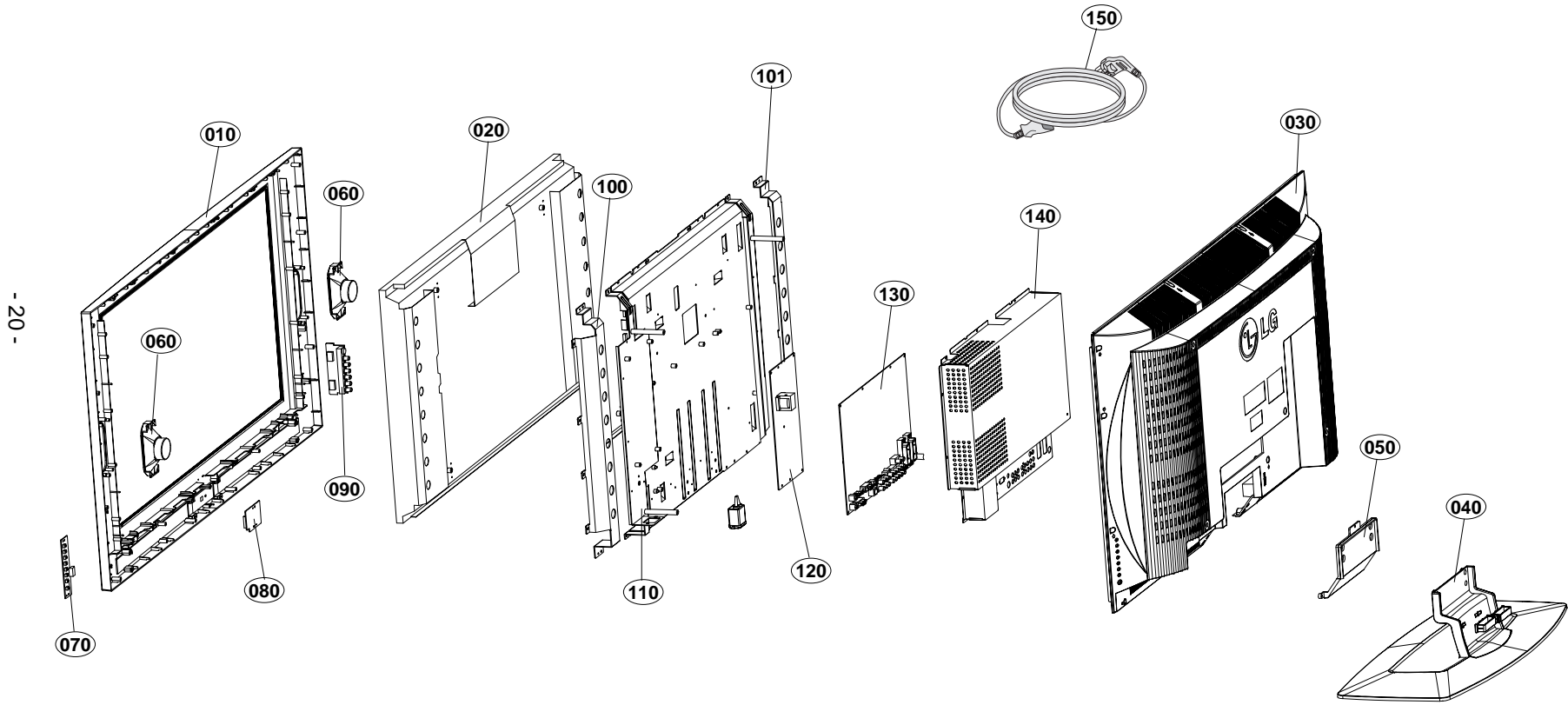


EXPLODED VIEW



EXPLODED VIEW PARTS LIST(RZ-37LZ55)

No.	PART NO.	DESCRIPTION
010	30919K0001D	CABINET ASSEMBLY, RZ-37LZ55 BRAND 3090TKE030A C/SKD
020	6304FLP291A	LCD(LIQUID CRYSTAL DISPLAY), LC370W01-C6K1 LG PHILIPS TFT COLOR ODC
	or 6304FLP178A	LCD(LIQUID CRYSTAL DISPLAY), LC370W01-C6 LG PHILIPS TFT COLOR P6 PLANT, ODC
	6304FLP289A	LCD(LIQUID CRYSTAL DISPLAY), LC370WX1-SL01 LG PHILIPS TFT COLOR WXGA AIODC SPEC UP LEAD FREE
030	3809900001D	BACK COVER ASSEMBLY, RZ-37LZ55 NON C/SKD
040	3043900001F	TILT SWIVEL ASSEMBLY, RZ-37LZ55 3043900001D .
050	3550TKK975A	COVER, 37LZ50 REAR AV
060	6400GESF01A	SPEAKER, FULLRANGE, C112A02K1450 ESTEC FULL-RANGE(GENERAL) 8OHM 10/15W .DB 110 32LG10
070	68719ST071A	PWB(PCB) ASSEMBLY, SUB, SUB T.T ML051A RZ-37LZ55 KEY
080	68719ST072A	PWB(PCB) ASSEMBLY, SUB, SUB T.T ML051A RZ-37LZ55 IR & LOGO
090	6871TSTA80C	PWB(PCB) ASSEMBLY, SUB, SUB T.T ML051B RZ-37LZ55 SIDE
100	49509K0023B	METAL, SIDE SUPPORTER RIGHT FOR 37LZ55(C/SKD)
101	49509K0024B	METAL, SIDE SUPPORTER LEFT FOR 37LZ55(C/SKD)
110	4950TKA361D	METAL, FRAME, MAIN RZ-37LZ55(C/SKD)
120	6709900002A	POWER SUPPLY ASSEMBLY, FREE TORNADO 37 LCD KN/HE/YY
130	33139P3004A	MAIN TOTAL ASSEMBLY, RZ-37LZ55 BRAND ML-051B(TORNADO)
140	4950TKA362B	METAL, SHIELD, MAIN PLUS ANALOG AV 37LZ55(CKD)
150	6410TEW010A	POWER CORD, LP34A+LS60 LONGWELL VDE/SEMKO 1870MM WALL CD/PB FREE BLACK
	6410TEW011A	POWER CORD, LP22+LS60 LONGWELL IMQ 1870MM WALL CD/PB FREE BLACK- For Italy
	6410TBW004A	POWER CORD, LP-61+LS-60 LONGWELL BSI 1870MM WALL CD/PB FREE BLACK- For U.K
	6410TPW003A	POWER CORD, LP-33+LS-60 LONGWELL PCT 1870MM WALL CD/PB FREE BLACK- FOR RUSSIA

EXPLODED VIEW PARTS LIST(RT-37LZ55)

No.	PART NO.	DESCRIPTION
010	30919K0001G	CABINET ASSEMBLY, RT-37LZ55 FOR LGEAP BRAND 3090TKE030A SET(40AF)
	30919K0001B	CABINET ASSEMBLY, RZ-37LZ55 BRAND 3090TKE030A .-For Singapore
	30919K0001D	CABINET ASSEMBLY, RZ-37LZ55 BRAND 3090TKE030A C/SKD
020	6304FLP289A	LCD(LIQUID CRYSTAL DISPLAY), LC370WX1-SL01 LG PHILIPS TFT COLOR WXGA AIODC SPEC UP LEAD FREE
030	3809900001G	BACK COVER ASSEMBLY, RT-37LZ55 FOR LGEAP NON SET(40AF)
	3809900001E	BACK COVER ASSEMBLY, RM-37LZ55 NON NON-For Singapore
	3809900001H	BACK COVER ASSEMBLY, RT/RM-37LZ55 NON SKD
040	3043900001B	TILT SWIVEL ASSEMBLY, RZ-37LZ55 4950TKA360A .
	3043900001F	TILT SWIVEL ASSEMBLY, RZ-37LZ55 3043900001D .- For China, NT LOCAL
050	3550TKK975A	COVER, 37LZ50 REAR AV
060	6400GESF01A	SPEAKER,FULLRANGE, C112A02K1450 ESTEC FULL-RANGE(GENERAL) 8OHM 10/15W .DB 110 32LG10
070	68719ST071A	PWB(PCB) ASSEMBLY,SUB, SUB T.T ML051A RZ-37LZ55 KEY
080	68719ST072A	PWB(PCB) ASSEMBLY,SUB, SUB T.T ML051A RZ-37LZ55 IR & LOGO
090	6871TSTA80C	PWB(PCB) ASSEMBLY,SUB, SUB T.T ML051B RZ-37LZ55 SIDE
100	49509K0023A	METAL, SIDE SUPPORTER RIGHT FOR 37LZ55
	49509K0023B	METAL, SIDE SUPPORTER RIGHT FOR 37LZ55(C/SKD)
101	49509K0024A	METAL, SIDE SUPPORTER LEFT FOR 37LZ55.
	49509K0024B	METAL, SIDE SUPPORTER LEFT FOR 37LZ55(C/SKD)
110	4950TKA361B	METAL, FRAME, MAIN RZ-37LZ55
	4950TKA361D	METAL, FRAME, MAIN RZ-37LZ55(C/SKD)
120	6709900002A	POWER SUPPLY ASSEMBLY, FREE TORNADO 37 LCD KN/HE/YY
130	33139P3004B	MAIN TOTAL ASSEMBLY, RT-37LZ55 BRAND ML-051B(TORNADO)
140	4950TKA362C	METAL, SHIELD, MAIN PLUS ANALOG AV(RT-37LZ55)SET
	4950TKA362E	METAL, SHIELD, MAIN PLUS ANALOG AV(RT-37LZ55) SKD
150	6410TSW003A	POWER CORD, LP-23A+LS-13 LONGWELL SAA 1870MM WALL CD/PB FREE BLACK
	6410TBW004A	POWER CORD, LP-61+LS-60 LONGWELL BSI 1870MM WALL CD/PB FREE BLACK-For Singapore

REPLACEMENT PARTS LIST

For Capacitor & Resistors, the characters at 2nd and 3rd digit in the P/No. means as follows;	CC, CX, CK, CN, CH : Ceramic CQ : Polyester CE : Electrolytic CF : Fixed Film	RD : Carbon Film RS : Metal Oxide Film RN : Metal Film RH : CHIP, Metal Glazed(Chip) RR : Drawing
---	--	---

DATE: 2005. 09. 21.				
*S	*AL	LOC. NO.	PART NO.	DESCRIPTION / SPECIFICATION
CAPACITOR				
			C1010	0CH3104K566 0.1UF 50V 10% X7R 2012 R/TP
			C1011	0CH3103K516 10000PF 50V 10% B(Y5P) 2012
			C1014	0CH3103K516 10000PF 50V 10% B(Y5P) 2012
			C1015	0CH3104K566 0.1UF 50V 10% X7R 2012 R/TP
			C1016	0CH3104K566 0.1UF 50V 10% X7R 2012 R/TP
			C1017	0CH3103K516 10000PF 50V 10% B(Y5P) 2012
			C1020	0CH3103K516 10000PF 50V 10% B(Y5P) 2012
			C1021	0CH3104K566 0.1UF 50V 10% X7R 2012 R/TP
			C1022	0CH3104K566 0.1UF 50V 10% X7R 2012 R/TP
			C1024	0CH3104K566 0.1UF 50V 10% X7R 2012 R/TP
			C1026	0CH3103K516 10000PF 50V 10% B(Y5P) 2012
			C1027	0CH3103K516 10000PF 50V 10% B(Y5P) 2012
			C1029	0CH3104K566 0.1UF 50V 10% X7R 2012 R/TP
			C1031	0CH3103K516 10000PF 50V 10% B(Y5P) 2012
			C1032	0CH3104K566 0.1UF 50V 10% X7R 2012 R/TP
			C1036	0CH3104K566 0.1UF 50V 10% X7R 2012 R/TP
			C1038	0CH3104K566 0.1UF 50V 10% X7R 2012 R/TP
			C1039	0CH3103K516 10000PF 50V 10% B(Y5P) 2012
			C1041	0CH3104K566 0.1UF 50V 10% X7R 2012 R/TP
			C1043	0CH3104K566 0.1UF 50V 10% X7R 2012 R/TP
			C1044	0CH3103K516 10000PF 50V 10% B(Y5P) 2012
			C1074	0CH3104K566 0.1UF 50V 10% X7R 2012 R/TP
			C1076	0CH3104K566 0.1UF 50V 10% X7R 2012 R/TP
			C1077	0CH3104K566 0.1UF 50V 10% X7R 2012 R/TP
			C1079	0CH3103K516 10000PF 50V 10% B(Y5P) 2012
			C1080	0CH3104K566 0.1UF 50V 10% X7R 2012 R/TP
			C1082	0CH3104K566 0.1UF 50V 10% X7R 2012 R/TP
			C1083	0CH3103K516 10000PF 50V 10% B(Y5P) 2012
			C1098	0CH3103K516 10000PF 50V 10% B(Y5P) 2012
			C1099	0CH3104K566 0.1UF 50V 10% X7R 2012 R/TP
			C1104	0CH3103K516 10000PF 50V 10% B(Y5P) 2012
			C1106	0CH3104K566 0.1UF 50V 10% X7R 2012 R/TP
			C1113	0CH3104K566 0.1UF 50V 10% X7R 2012 R/TP
			C1116	0CH3104K566 0.1UF 50V 10% X7R 2012 R/TP
			C1118	0CH3104K566 0.1UF 50V 10% X7R 2012 R/TP
			C1119	0CH3104K566 0.1UF 50V 10% X7R 2012 R/TP
			C1120	0CH3104K566 0.1UF 50V 10% X7R 2012 R/TP
			C1121	0CH3104K566 0.1UF 50V 10% X7R 2012 R/TP
			C1122	0CH3104K566 0.1UF 50V 10% X7R 2012 R/TP
			C1123	0CH3103K516 10000PF 50V 10% B(Y5P) 2012
			C1124	0CH3103K516 10000PF 50V 10% B(Y5P) 2012
			C1125	0CH3103K516 10000PF 50V 10% B(Y5P) 2012
			C1126	0CH3103K516 10000PF 50V 10% B(Y5P) 2012
			C1127	0CH3103K516 10000PF 50V 10% B(Y5P) 2012
			C1133	0CH3104K566 0.1UF 50V 10% X7R 2012 R/TP
			C1135	0CH3104K566 0.1UF 50V 10% X7R 2012 R/TP
			C1137	0CH3103K516 10000PF 50V 10% B(Y5P) 2012
			C1138	0CH3104K566 0.1UF 50V 10% X7R 2012 R/TP
			C1139	0CH3103K516 10000PF 50V 10% B(Y5P) 2012
			C1143	0CH3104K566 0.1UF 50V 10% X7R 2012 R/TP
			C1149	0CH3104K566 0.1UF 50V 10% X7R 2012 R/TP
			C115	0CH3103K516 10000PF 50V 10% B(Y5P) 2012
			C1150	0CH3103K516 10000PF 50V 10% B(Y5P) 2012
			C1153	0CH3103K516 10000PF 50V 10% B(Y5P) 2012
			C1154	0CH3104K566 0.1UF 50V 10% X7R 2012 R/TP

DATE: 2005. 09. 21.				
*S	*AL	LOC. NO.	PART NO.	DESCRIPTION / SPECIFICATION
			C1155	0CH3104K566 0.1UF 50V 10% X7R 2012 R/TP
			C1156	0CH3103K516 10000PF 50V 10% B(Y5P) 2012
			C1159	0CH3103K516 10000PF 50V 10% B(Y5P) 2012
			C116	0CH3103K516 10000PF 50V 10% B(Y5P) 2012
			C1160	0CH3104K566 0.1UF 50V 10% X7R 2012 R/TP
			C1162	0CH3103K516 10000PF 50V 10% B(Y5P) 2012
			C1163	0CH3104K566 0.1UF 50V 10% X7R 2012 R/TP
			C1165	0CH3103K516 10000PF 50V 10% B(Y5P) 2012
			C1166	0CH3103K516 10000PF 50V 10% B(Y5P) 2012
			C1167	0CH3104K566 0.1UF 50V 10% X7R 2012 R/TP
			C1169	0CH3103K516 10000PF 50V 10% B(Y5P) 2012
			C1171	0CH3104K566 0.1UF 50V 10% X7R 2012 R/TP
			C1172	0CH3104K566 0.1UF 50V 10% X7R 2012 R/TP
			C120	0CH3103K516 10000PF 50V 10% B(Y5P) 2012
			C1218	0CH3104K566 0.1UF 50V 10% X7R 2012 R/TP
			C1219	0CH3104K566 0.1UF 50V 10% X7R 2012 R/TP
			C122	0CK273DK51A 27000PF 2012 50V 10% B(Y5P)
			C1220	0CH3104K566 0.1UF 50V 10% X7R 2012 R/TP
			C1221	0CH3104K566 0.1UF 50V 10% X7R 2012 R/TP
			C1222	0CH3104K566 0.1UF 50V 10% X7R 2012 R/TP
			C1223	0CH3104K566 0.1UF 50V 10% X7R 2012 R/TP
			C1224	0CH3104K566 0.1UF 50V 10% X7R 2012 R/TP
			C1225	0CH3104K566 0.1UF 50V 10% X7R 2012 R/TP
			C1226	0CH3104K566 0.1UF 50V 10% X7R 2012 R/TP
			C1227	0CH3104K566 0.1UF 50V 10% X7R 2012 R/TP
			C1228	0CH3104K566 0.1UF 50V 10% X7R 2012 R/TP
			C1229	0CH3104K566 0.1UF 50V 10% X7R 2012 R/TP
			C123	0CH3103K516 10000PF 50V 10% B(Y5P) 2012
			C1232	0CH3104K566 0.1UF 50V 10% X7R 2012 R/TP
			C1234	0CH3104K566 0.1UF 50V 10% X7R 2012 R/TP
			C1235	0CH3104K566 0.1UF 50V 10% X7R 2012 R/TP
			C1236	0CH3104K566 0.1UF 50V 10% X7R 2012 R/TP
			C1237	0CH3104K566 0.1UF 50V 10% X7R 2012 R/TP
			C1238	0CH3104K566 0.1UF 50V 10% X7R 2012 R/TP
			C1239	0CH3104K566 0.1UF 50V 10% X7R 2012 R/TP
			C1240	0CH3104K566 0.1UF 50V 10% X7R 2012 R/TP
			C1241	0CH3104K566 0.1UF 50V 10% X7R 2012 R/TP
			C1242	0CH3104K566 0.1UF 50V 10% X7R 2012 R/TP
			C1243	0CH3104K566 0.1UF 50V 10% X7R 2012 R/TP
			C1244	0CH3104K566 0.1UF 50V 10% X7R 2012 R/TP
			C1245	0CH3104K566 0.1UF 50V 10% X7R 2012 R/TP
			C1246	0CH3104K566 0.1UF 50V 10% X7R 2012 R/TP
			C1247	0CH3104K566 0.1UF 50V 10% X7R 2012 R/TP
			C1248	0CH3104K566 0.1UF 50V 10% X7R 2012 R/TP
			C1249	0CH3104K566 0.1UF 50V 10% X7R 2012 R/TP
			C1250	0CH3104K566 0.1UF 50V 10% X7R 2012 R/TP
			C1251	0CH3104K566 0.1UF 50V 10% X7R 2012 R/TP
			C1252	0CH3104K566 0.1UF 50V 10% X7R 2012 R/TP
			C1253	0CH3104K566 0.1UF 50V 10% X7R 2012 R/TP
			C1254	0CH3104K566 0.1UF 50V 10% X7R 2012 R/TP
			C1255	0CH3104K566 0.1UF 50V 10% X7R 2012 R/TP
			C1256	0CH3104K566 0.1UF 50V 10% X7R 2012 R/TP
			C1257	0CH3104K566 0.1UF 50V 10% X7R 2012 R/TP
			C1258	0CH3104K566 0.1UF 50V 10% X7R 2012 R/TP

DATE: 2005. 09. 21.				
*S	*AL	LOC. NO.	PART NO.	DESCRIPTION / SPECIFICATION
		C1259	0CH3104K566	0.1UF 50V 10% X7R 2012 R/TP
		C126	0CH3103K516	10000PF 50V 10% B(Y5P) 2012
		C1260	0CH3104K566	0.1UF 50V 10% X7R 2012 R/TP
		C1261	0CH3104K566	0.1UF 50V 10% X7R 2012 R/TP
		C1262	0CH3104K566	0.1UF 50V 10% X7R 2012 R/TP
		C1263	0CH3104K566	0.1UF 50V 10% X7R 2012 R/TP
		C1267	0CH3104K566	0.1UF 50V 10% X7R 2012 R/TP
		C1269	0CH3104K566	0.1UF 50V 10% X7R 2012 R/TP
		C1272	0CH3104K566	0.1UF 50V 10% X7R 2012 R/TP
		C1274	0CH3104K566	0.1UF 50V 10% X7R 2012 R/TP
		C1276	0CH3104K566	0.1UF 50V 10% X7R 2012 R/TP
		C1277	0CH3104K566	0.1UF 50V 10% X7R 2012 R/TP
		C1278	0CH3104K566	0.1UF 50V 10% X7R 2012 R/TP
		C1279	0CH3104K566	0.1UF 50V 10% X7R 2012 R/TP
		C128	0CH3103K516	10000PF 50V 10% B(Y5P) 2012
		C1280	0CH3104K566	0.1UF 50V 10% X7R 2012 R/TP
		C1281	0CH3104K566	0.1UF 50V 10% X7R 2012 R/TP
		C1282	0CH3104K566	0.1UF 50V 10% X7R 2012 R/TP
		C1284	0CH3104K566	0.1UF 50V 10% X7R 2012 R/TP
		C1286	0CH3104K566	0.1UF 50V 10% X7R 2012 R/TP
		C1287	0CH3104K566	0.1UF 50V 10% X7R 2012 R/TP
		C1288	0CH3104K566	0.1UF 50V 10% X7R 2012 R/TP
		C1289	0CH3104K566	0.1UF 50V 10% X7R 2012 R/TP
		C129	0CH3103K516	10000PF 50V 10% B(Y5P) 2012
		C1290	0CH3104K566	0.1UF 50V 10% X7R 2012 R/TP
		C1291	0CH3104K566	0.1UF 50V 10% X7R 2012 R/TP
		C1292	0CH3104K566	0.1UF 50V 10% X7R 2012 R/TP
		C1293	0CH3104K566	0.1UF 50V 10% X7R 2012 R/TP
		C1294	0CH3104K566	0.1UF 50V 10% X7R 2012 R/TP
		C1295	0CH3104K566	0.1UF 50V 10% X7R 2012 R/TP
		C1300	0CK105DF64A	1UF 2012 16V 20% F(Y5V) R/T
		C1303	0CH3104K566	0.1UF 50V 10% X7R 2012 R/TP
		C1306	0CH3104K566	0.1UF 50V 10% X7R 2012 R/TP
		C1309	0CH3822K516	8200PF 2012 50V 10% B(Y5P)
		C131	0CH3104K566	0.1UF 50V 10% X7R 2012 R/TP
		C1310	0CH3822K516	8200PF 2012 50V 10% B(Y5P)
		C1311	0CK105DF64A	1UF 2012 16V 20% F(Y5V) R/T
		C1315	0CH3104K566	0.1UF 50V 10% X7R 2012 R/TP
		C1316	0CH3104K566	0.1UF 50V 10% X7R 2012 R/TP
		C1317	0CH3104K566	0.1UF 50V 10% X7R 2012 R/TP
		C1318	0CH3104K566	0.1UF 50V 10% X7R 2012 R/TP
		C1319	0CH3104K566	0.1UF 50V 10% X7R 2012 R/TP
		C1320	0CH3104K566	0.1UF 50V 10% X7R 2012 R/TP
		C1322	0CH3104K566	0.1UF 50V 10% X7R 2012 R/TP
		C1323	0CH3104K566	0.1UF 50V 10% X7R 2012 R/TP
		C1324	0CH3104K566	0.1UF 50V 10% X7R 2012 R/TP
		C1325	0CH3104K566	0.1UF 50V 10% X7R 2012 R/TP
		C1326	0CH3104K566	0.1UF 50V 10% X7R 2012 R/TP
		C1327	0CH3104K566	0.1UF 50V 10% X7R 2012 R/TP
		C1329	0CH3104K566	0.1UF 50V 10% X7R 2012 R/TP
		C1331	0CK105DF64A	1UF 2012 16V 20% F(Y5V) R/T
		C1336	0CH3104K566	0.1UF 50V 10% X7R 2012 R/TP
		C1337	0CH3104K566	0.1UF 50V 10% X7R 2012 R/TP
		C1340	0CH3104K566	0.1UF 50V 10% X7R 2012 R/TP
		C1341	0CH3104K566	0.1UF 50V 10% X7R 2012 R/TP
		C135	0CH3104K566	0.1UF 50V 10% X7R 2012 R/TP
		C1400	0CH3104K566	0.1UF 50V 10% X7R 2012 R/TP
		C1401	0CH3104K566	0.1UF 50V 10% X7R 2012 R/TP
		C1402	0CH3103K516	10000PF 50V 10% B(Y5P) 2012
		C1410	0CH3104K566	0.1UF 50V 10% X7R 2012 R/TP
		C1413	0CH3103K516	10000PF 50V 10% B(Y5P) 2012
		C1414	0CH3104K566	0.1UF 50V 10% X7R 2012 R/TP

DATE: 2005. 09. 21.				
*S	*AL	LOC. NO.	PART NO.	DESCRIPTION / SPECIFICATION
		C204	0CH3103K516	10000PF 50V 10% B(Y5P) 2012-RZ-37LZ55
		C205	0CH3103K516	10000PF 50V 10% B(Y5P) 2012-RZ-37LZ55
		C247	0CH3104K566	0.1UF 50V 10% X7R 2012 R/TP
		C248	0CH3104K566	0.1UF 50V 10% X7R 2012 R/TP
		C256	0CH3104K566	0.1UF 50V 10% X7R 2012 R/TP
		C301	0CH3104K566	0.1UF 50V 10% X7R 2012 R/TP
		C306	0CH3104K566	0.1UF 50V 10% X7R 2012 R/TP
		C309	0CK474DH56A	0.47UF 2012 25V 10% R/TP X7
		C312	0CH3104K566	0.1UF 50V 10% X7R 2012 R/TP
		C316	0CH3103K516	10000PF 50V 10% B(Y5P) 2012
		C326	0CH3104K566	0.1UF 50V 10% X7R 2012 R/TP
		C336	0CH3104K566	0.1UF 50V 10% X7R 2012 R/TP
		C340	0CH3104K566	0.1UF 50V 10% X7R 2012 R/TP
		C342	0CH3104K566	0.1UF 50V 10% X7R 2012 R/TP
		C343	0CH3104K566	0.1UF 50V 10% X7R 2012 R/TP
		C344	0CH3682K516	6800PF 2012 50V 10% B(Y5P)
		C345	0CH3682K516	6800PF 2012 50V 10% B(Y5P)
		C348	0CH3104K566	0.1UF 50V 10% X7R 2012 R/TP
		C349	0CH3103K516	10000PF 50V 10% B(Y5P) 2012
		C350	0CH3104K566	0.1UF 50V 10% X7R 2012 R/TP
		C353	0CH3104K566	0.1UF 50V 10% X7R 2012 R/TP
		C354	0CH3104K566	0.1UF 50V 10% X7R 2012 R/TP
		C355	0CH3104K566	0.1UF 50V 10% X7R 2012 R/TP
		C356	0CH3104K566	0.1UF 50V 10% X7R 2012 R/TP
		C357	0CH3104K566	0.1UF 50V 10% X7R 2012 R/TP
		C364	0CH3104K566	0.1UF 50V 10% X7R 2012 R/TP
		C365	0CH3104K566	0.1UF 50V 10% X7R 2012 R/TP
		C366	0CH3104K566	0.1UF 50V 10% X7R 2012 R/TP
		C367	0CH3104K566	0.1UF 50V 10% X7R 2012 R/TP
		C368	0CH3103K516	10000PF 50V 10% B(Y5P) 2012
		C369	0CH3103K516	10000PF 50V 10% B(Y5P) 2012
		C370	0CH3103K516	10000PF 50V 10% B(Y5P) 2012
		C371	0CH3103K516	10000PF 50V 10% B(Y5P) 2012
		C375	0CK474DH56A	0.47UF 2012 25V 10% R/TP X7
		C376	0CH3103K516	10000PF 50V 10% B(Y5P) 2012
		C377	0CH3104K566	0.1UF 50V 10% X7R 2012 R/TP
		C379	0CH3104K566	0.1UF 50V 10% X7R 2012 R/TP
		C385	0CH3104K566	0.1UF 50V 10% X7R 2012 R/TP
		C386	0CK474DH56A	0.47UF 2012 25V 10% R/TP X7
		C387	0CK474DH56A	0.47UF 2012 25V 10% R/TP X7
		C397	0CH3104K566	0.1UF 50V 10% X7R 2012 R/TP
		C398	0CH3104K566	0.1UF 50V 10% X7R 2012 R/TP
		C4	0CH3104K566	0.1UF 50V 10% X7R 2012 R/TP
		C402	0CH3103K516	10000PF 50V 10% B(Y5P) 2012
		C407	0CH3104K566	0.1UF 50V 10% X7R 2012 R/TP
		C412	0CK474DH56A	0.47UF 2012 25V 10% R/TP X7
		C415	0CK474DH56A	0.47UF 2012 25V 10% R/TP X7
		C427	0CK474DH56A	0.47UF 2012 25V 10% R/TP X7
		C428	0CK474DH56A	0.47UF 2012 25V 10% R/TP X7
		C435	0CH3104K566	0.1UF 50V 10% X7R 2012 R/TP
		C439	0CH3563K516	56000PF 2012 50V 10% - R/TP
		C440	0CH3223K516	22000PF 2012 50V 10% B(Y5P)
		C442	0CH3104K566	0.1UF 50V 10% X7R 2012 R/TP
		C5	0CH3104K566	0.1UF 50V 10% X7R 2012 R/TP
		C6	0CH3104K566	0.1UF 50V 10% X7R 2012 R/TP
		C601	0CH3104K566	0.1UF 50V 10% X7R 2012 R/TP
		C602	0CH3104K566	0.1UF 50V 10% X7R 2012 R/TP
		C603	0CH3104K566	0.1UF 50V 10% X7R 2012 R/TP
		C604	0CH3104K566	0.1UF 50V 10% X7R 2012 R/TP
		C612	0CH3104K566	0.1UF 50V 10% X7R 2012 R/TP
		C613	0CH3104K566	0.1UF 50V 10% X7R 2012 R/TP
		C614	0CH3104K566	0.1UF 50V 10% X7R 2012 R/TP

DATE: 2005. 09. 21.				
*S	*AL	LOC. NO.	PART NO.	DESCRIPTION / SPECIFICATION
		C615	0CH3104K566	0.1UF 50V 10% X7R 2012 R/TP
		C630	0CH3104K566	0.1UF 50V 10% X7R 2012 R/TP
		C632	0CH3104K566	0.1UF 50V 10% X7R 2012 R/TP
		C638	0CH3104K566	0.1UF 50V 10% X7R 2012 R/TP
		C639	0CH3104K566	0.1UF 50V 10% X7R 2012 R/TP
		C647	0CH3103K516	10000PF 50V 10% B(Y5P) 2012
		C648	0CH3104K566	0.1UF 50V 10% X7R 2012 R/TP
		C649	0CK105DF64A	1UF 2012 16V 20% F(Y5V) R/T
		C650	0CH3103K516	10000PF 50V 10% B(Y5P) 2012
		C651	0CH3104K566	0.1UF 50V 10% X7R 2012 R/TP
		C652	0CK105DF64A	1UF 2012 16V 20% F(Y5V) R/T
		C657	0CH3104K566	0.1UF 50V 10% X7R 2012 R/TP
		C658	0CH3104K566	0.1UF 50V 10% X7R 2012 R/TP
		C659	0CH3104K566	0.1UF 50V 10% X7R 2012 R/TP
		C660	0CH3104K566	0.1UF 50V 10% X7R 2012 R/TP
		C661	0CH3104K566	0.1UF 50V 10% X7R 2012 R/TP
		C662	0CH3104K566	0.1UF 50V 10% X7R 2012 R/TP
		C664	0CH3104K566	0.1UF 50V 10% X7R 2012 R/TP
		C7	0CH3104K566	0.1UF 50V 10% X7R 2012 R/TP
		C817	0CH3104K566	0.1UF 50V 10% X7R 2012 R/TP
		C906	0CH3104K566	0.1UF 50V 10% X7R 2012 R/TP
		C907	0CH3103K516	10000PF 50V 10% B(Y5P) 2012
		C908	0CH3104K566	0.1UF 50V 10% X7R 2012 R/TP
		C909	0CH3103K516	10000PF 50V 10% B(Y5P) 2012
		C910	0CH3104K566	0.1UF 50V 10% X7R 2012 R/TP
		C911	0CH3103K516	10000PF 50V 10% B(Y5P) 2012
		C912	0CH3104K566	0.1UF 50V 10% X7R 2012 R/TP
		C913	0CH3103K516	10000PF 50V 10% B(Y5P) 2012
		C914	0CH3104K566	0.1UF 50V 10% X7R 2012 R/TP
		C915	0CH3103K516	10000PF 50V 10% B(Y5P) 2012
		C916	0CH3104K566	0.1UF 50V 10% X7R 2012 R/TP
		C917	0CH3103K516	10000PF 50V 10% B(Y5P) 2012
		C918	0CH3104K566	0.1UF 50V 10% X7R 2012 R/TP
		C919	0CH3103K516	10000PF 50V 10% B(Y5P) 2012
		C920	0CH3104K566	0.1UF 50V 10% X7R 2012 R/TP
		C921	0CH3103K516	10000PF 50V 10% B(Y5P) 2012
		C922	0CH3104K566	0.1UF 50V 10% X7R 2012 R/TP
		C923	0CH3103K516	10000PF 50V 10% B(Y5P) 2012
		C924	0CH3104K566	0.1UF 50V 10% X7R 2012 R/TP
		C925	0CH3103K516	10000PF 50V 10% B(Y5P) 2012
		C926	0CH3104K566	0.1UF 50V 10% X7R 2012 R/TP
		C927	0CH3103K516	10000PF 50V 10% B(Y5P) 2012
		C928	0CH3104K566	0.1UF 50V 10% X7R 2012 R/TP
		C929	0CH3103K516	10000PF 50V 10% B(Y5P) 2012
		C931	0CH3104K566	0.1UF 50V 10% X7R 2012 R/TP
		C932	0CH3103K516	10000PF 50V 10% B(Y5P) 2012
		C933	0CH3104K566	0.1UF 50V 10% X7R 2012 R/TP
		C934	0CH3103K516	10000PF 50V 10% B(Y5P) 2012
		C935	0CH3104K566	0.1UF 50V 10% X7R 2012 R/TP
		C936	0CH3103K516	10000PF 50V 10% B(Y5P) 2012
		C937	0CH3104K566	0.1UF 50V 10% X7R 2012 R/TP
		C938	0CH3103K516	10000PF 50V 10% B(Y5P) 2012
		C939	0CH3104K566	0.1UF 50V 10% X7R 2012 R/TP
		C940	0CH3103K516	10000PF 50V 10% B(Y5P) 2012
		C941	0CH3104K566	0.1UF 50V 10% X7R 2012 R/TP
		C942	0CH3103K516	10000PF 50V 10% B(Y5P) 2012
		C950	0CH3103K516	10000PF 50V 10% B(Y5P) 2012
		C951	0CH3104K566	0.1UF 50V 10% X7R 2012 R/TP
		C1005	0CH3104K566	0.1UF 50V 10% X7R 2012 R/TP
		C1006	0CH3103K516	10000PF 50V 10% B(Y5P) 2012
		C1033	0CH3104K566	0.1UF 50V 10% X7R 2012 R/TP
		C1034	0CH3103K516	10000PF 50V 10% B(Y5P) 2012

DATE: 2005. 09. 21.				
*S	*AL	LOC. NO.	PART NO.	DESCRIPTION / SPECIFICATION
		C107	0CH3104K566	0.1UF 50V 10% X7R 2012 R/TP
		C1102	0CH3103K516	10000PF 50V 10% B(Y5P) 2012
		C1103	0CH3103K516	10000PF 50V 10% B(Y5P) 2012
		C1111	0CH3104K566	0.1UF 50V 10% X7R 2012 R/TP
		C1164	0CH3103K516	10000PF 50V 10% B(Y5P) 2012
		C119	0CH3103K516	10000PF 50V 10% B(Y5P) 2012
		C1233	0CH3104K566	0.1UF 50V 10% X7R 2012 R/TP
		C124	0CH3103K516	10000PF 50V 10% B(Y5P) 2012
		C125	0CH3104K566	0.1UF 50V 10% X7R 2012 R/TP
		C1301	0CH3104K566	0.1UF 50V 10% X7R 2012 R/TP
		C1308	0CH3682K516	6800PF 2012 50V 10% B(Y5P)
		C132	0CH3103K516	10000PF 50V 10% B(Y5P) 2012
		C1321	0CH3104K566	0.1UF 50V 10% X7R 2012 R/TP
		C1328	0CH3104K566	0.1UF 50V 10% X7R 2012 R/TP
		C1330	0CK225DH94A	"2.2UF 2012 25V 80%,-20% F(Y"
		C1338	0CH3104K566	0.1UF 50V 10% X7R 2012 R/TP
		C1339	0CH3682K516	6800PF 2012 50V 10% B(Y5P)
		C138	0CH3103K516	10000PF 50V 10% B(Y5P) 2012
		C139	0CH3103K516	10000PF 50V 10% B(Y5P) 2012
		C140	0CH3103K516	10000PF 50V 10% B(Y5P) 2012
		C1403	0CH3104K566	0.1UF 50V 10% X7R 2012 R/TP
		C1404	0CH3104K566	0.1UF 50V 10% X7R 2012 R/TP
		C1407	0CH3104K566	0.1UF 50V 10% X7R 2012 R/TP
		C1409	0CH3104K566	0.1UF 50V 10% X7R 2012 R/TP
		C217	0CH3103K516	10000PF 50V 10% B(Y5P) 2012-RZ-37LZ55
		C218	0CH3103K516	10000PF 50V 10% B(Y5P) 2012-RZ-37LZ55
		C237	0CH3103K516	10000PF 50V 10% B(Y5P) 2012
		C240	0CH3103K516	10000PF 50V 10% B(Y5P) 2012
		C244	0CH3104K566	0.1UF 50V 10% X7R 2012 R/TP
		C245	0CH3104K566	0.1UF 50V 10% X7R 2012 R/TP
		C246	0CH3104K566	0.1UF 50V 10% X7R 2012 R/TP
		C311	0CH3223K516	22000PF 2012 50V 10% B(Y5P)
		C313	0CH3223K516	22000PF 2012 50V 10% B(Y5P)
		C323	0CH3103K516	10000PF 50V 10% B(Y5P) 2012
		C332	0CH3682K516	6800PF 2012 50V 10% B(Y5P)
		C335	0CH3682K516	6800PF 2012 50V 10% B(Y5P)
		C339	0CK105DF64A	1UF 2012 16V 20% F(Y5V) R/T
		C346	0CH3104K566	0.1UF 50V 10% X7R 2012 R/TP
		C373	0CK105DF64A	1UF 2012 16V 20% F(Y5V) R/T
		C381	0CK474DH56A	0.47UF 2012 25V 10% R/TP X7
		C382	0CK474DH56A	0.47UF 2012 25V 10% R/TP X7
		C383	0CK474DH56A	0.47UF 2012 25V 10% R/TP X7
		C384	0CK474DH56A	0.47UF 2012 25V 10% R/TP X7
		C388	0CK474DH56A	0.47UF 2012 25V 10% R/TP X7
		C389	0CK474DH56A	0.47UF 2012 25V 10% R/TP X7
		C390	0CH3103K516	10000PF 50V 10% B(Y5P) 2012
		C391	0CH3104K566	0.1UF 50V 10% X7R 2012 R/TP
		C396	0CH3104K566	0.1UF 50V 10% X7R 2012 R/TP
		C401	0CH3103K516	10000PF 50V 10% B(Y5P) 2012
		C408	0CH3103K516	10000PF 50V 10% B(Y5P) 2012
		C409	0CH3104K566	0.1UF 50V 10% X7R 2012 R/TP
		C410	0CH3104K566	0.1UF 50V 10% X7R 2012 R/TP
		C416	0CK474DH56A	0.47UF 2012 25V 10% R/TP X7
		C417	0CK474DH56A	0.47UF 2012 25V 10% R/TP X7
		C418	0CK474DH56A	0.47UF 2012 25V 10% R/TP X7
		C419	0CK474DH56A	0.47UF 2012 25V 10% R/TP X7
		C420	0CK474DH56A	0.47UF 2012 25V 10% R/TP X7
		C421	0CK474DH56A	0.47UF 2012 25V 10% R/TP X7
		C422	0CK474DH56A	0.47UF 2012 25V 10% R/TP X7
		C423	0CK474DH56A	0.47UF 2012 25V 10% R/TP X7
		C424	0CK474DH56A	0.47UF 2012 25V 10% R/TP X7
		C425	0CK474DH56A	0.47UF 2012 25V 10% R/TP X7

DATE: 2005. 09. 21.				
*S	*AL	LOC. NO.	PART NO.	DESCRIPTION / SPECIFICATION
		C426	0CK474DH56A	0.47UF 2012 25V 10% R/TP X7
		C429	0CK474DH56A	0.47UF 2012 25V 10% R/TP X7
		C430	0CK474DH56A	0.47UF 2012 25V 10% R/TP X7
		C444	0CH3103K516	10000PF 50V 10% B(Y5P) 2012
		C446	0CH3104K566	0.1UF 50V 10% X7R 2012 R/TP
		C654	0CH3104K566	0.1UF 50V 10% X7R 2012 R/TP
		C663	0CH3104K566	0.1UF 50V 10% X7R 2012 R/TP
		C803	0CK105DH56A	1UF 2012 25V 10% X7R R/TP
		C815	0CH3104K566	0.1UF 50V 10% X7R 2012 R/TP
		C820	0CH3104K566	0.1UF 50V 10% X7R 2012 R/TP
		C823	0CH3104K566	0.1UF 50V 10% X7R 2012 R/TP
		C825	0CH3104K566	0.1UF 50V 10% X7R 2012 R/TP
		C826	0CH3104K566	0.1UF 50V 10% X7R 2012 R/TP
		C827	0CH3104K566	0.1UF 50V 10% X7R 2012 R/TP
		C828	0CH3104K566	0.1UF 50V 10% X7R 2012 R/TP
		C829	0CH3104K566	0.1UF 50V 10% X7R 2012 R/TP
		C830	0CH3104K566	0.1UF 50V 10% X7R 2012 R/TP
		C831	0CH3104K566	0.1UF 50V 10% X7R 2012 R/TP
		C832	0CH3104K566	0.1UF 50V 10% X7R 2012 R/TP
		C833	0CH3104K566	0.1UF 50V 10% X7R 2012 R/TP
		C834	0CH3104K566	0.1UF 50V 10% X7R 2012 R/TP
		C835	0CH3104K566	0.1UF 50V 10% X7R 2012 R/TP
		C836	0CH3104K566	0.1UF 50V 10% X7R 2012 R/TP
		C837	0CH3104K566	0.1UF 50V 10% X7R 2012 R/TP
		C838	0CH5080K116	8PF 2012 50V 0.5 PF NP0 R/T
		C839	0CH5080K116	8PF 2012 50V 0.5 PF NP0 R/T
		C117	0CC270DK41A	27PF 2012 50V 5% NP0 R/TP
		C118	0CC270DK41A	27PF 2012 50V 5% NP0 R/TP
		C1297	0CC270DK41A	27PF 2012 50V 5% NP0 R/TP
		C200	0CH6221K416	220PF 2012 50V 5% NP0 -RZ-37LZ55
		C202	0CH6101K416	100PF 50V 5% NP0 2012 R/TP-RZ-37LZ55
		C207	0CH6102K406	1000PF 50V 5% SL 2012 R/TP-RZ-37LZ55
		C209	0CH6101K416	100PF 50V 5% NP0 2012 R/TP-RZ-37LZ55
		C210	0CH6101K416	100PF 50V 5% NP0 2012 R/TP-RZ-37LZ55
		C211	0CH6102K406	1000PF 50V 5% SL 2012 R/TP-RZ-37LZ55
		C220	0CH6102K406	1000PF 50V 5% SL 2012 R/TP
		C222	0CH6102K406	1000PF 50V 5% SL 2012 R/TP
		C223	0CH6101K416	100PF 50V 5% NP0 2012 R/TP
		C224	0CH6101K416	100PF 50V 5% NP0 2012 R/TP
		C225	0CH6391K416	390PF 2012 50V 5% NP0 R/TP
		C227	0CH6471K416	470PF 2012 50V 5% NP0 R/TP
		C228	0CH6471K416	470PF 2012 50V 5% NP0 R/TP
		C307	0CH6560K416	56PF 2012 50V 5% NP0 -
		C319	0CH6101K416	100PF 50V 5% NP0 2012 R/TP
		C330	0CH6102K406	1000PF 50V 5% SL 2012 R/TP
		C333	0CH6102K406	1000PF 50V 5% SL 2012 R/TP
		C358	0CH2333K516	33000PF 50V 10% B(Y5P) 2012
		C359	0CH2333K516	33000PF 50V 10% B(Y5P) 2012
		C360	0CH2333K516	33000PF 50V 10% B(Y5P) 2012
		C361	0CH2333K516	33000PF 50V 10% B(Y5P) 2012
		C392	0CH6102K406	1000PF 50V 5% SL 2012 R/TP
		C395	0CH6101K416	100PF 50V 5% NP0 2012 R/TP
		C399	0CH6102K406	1000PF 50V 5% SL 2012 R/TP
		C605	0CH6102K406	1000PF 50V 5% SL 2012 R/TP
		C606	0CH6102K406	1000PF 50V 5% SL 2012 R/TP
		C607	0CH6102K406	1000PF 50V 5% SL 2012 R/TP
		C608	0CH6102K406	1000PF 50V 5% SL 2012 R/TP
		C609	0CH6102K406	1000PF 50V 5% SL 2012 R/TP
		C610	0CH6102K406	1000PF 50V 5% SL 2012 R/TP
		C616	0CH6102K406	1000PF 50V 5% SL 2012 R/TP
		C617	0CH6102K406	1000PF 50V 5% SL 2012 R/TP
		C618	0CH6102K406	1000PF 50V 5% SL 2012 R/TP

DATE: 2005. 09. 21.				
*S	*AL	LOC. NO.	PART NO.	DESCRIPTION / SPECIFICATION
		C619	0CH6102K406	1000PF 50V 5% SL 2012 R/TP
		C620	0CH6102K406	1000PF 50V 5% SL 2012 R/TP
		C621	0CH6102K406	1000PF 50V 5% SL 2012 R/TP
		C622	0CH6102K406	1000PF 50V 5% SL 2012 R/TP
		C623	0CH6102K406	1000PF 50V 5% SL 2012 R/TP
		C624	0CH6102K406	1000PF 50V 5% SL 2012 R/TP
		C631	0CH6102K406	1000PF 50V 5% SL 2012 R/TP
		C634	0CH6102K406	1000PF 50V 5% SL 2012 R/TP
		C635	0CH6102K406	1000PF 50V 5% SL 2012 R/TP
		C636	0CH6102K406	1000PF 50V 5% SL 2012 R/TP
		C637	0CH6102K406	1000PF 50V 5% SL 2012 R/TP
		C643	0CH6102K406	1000PF 50V 5% SL 2012 R/TP
		C644	0CH6102K406	1000PF 50V 5% SL 2012 R/TP
		C816	0CH6151K416	150PF 2012 50V 5% NP0 -
		C821	0CH6220K416	22PF 2012 50V 5% NP0 -
		C822	0CH6220K416	22PF 2012 50V 5% NP0 -
		C1081	0CH6102K406	1000PF 50V 5% SL 2012 R/TP
		C1333	0CH6102K406	1000PF 50V 5% SL 2012 R/TP
		C203	0CH6221K416	220PF 2012 50V 5% NP0 --RZ-37LZ55
		C214	0CH6101K416	100PF 50V 5% NP0 2012 R/TP-RZ-37LZ55
		C215	0CE106VF6DC	10UF MV 16V 20% R/TP(SMD) S-RT-37LZ55
		C216	0CE106VF6DC	10UF MV 16V 20% R/TP(SMD) S-RT-37LZ55
		C241	0CH6010K116	1PF 2012 50V 0.5 PF NP0 R/T
		C242	0CH6010K116	1PF 2012 50V 0.5 PF NP0 R/T
		C304	0CH6010K116	1PF 2012 50V 0.5 PF NP0 R/T
		C305	0CH6010K116	1PF 2012 50V 0.5 PF NP0 R/T
		C308	0CH6560K416	56PF 2012 50V 5% NP0 -
		C324	0CH6471K416	470PF 2012 50V 5% NP0 R/TP
		C437	0CH6151K416	150PF 2012 50V 5% NP0 -
		C441	0CC821DK41A	820PF 2012 50V 5% NP0 R/TP
		C645	0CH6180K416	18PF 2012 50V 5% NP0 R/TP
		C646	0CH6180K416	18PF 2012 50V 5% NP0 R/TP
		C655	0CH6120K416	12PF 2012 50V 5% NP0 -
		C656	0CH6120K416	12PF 2012 50V 5% NP0 -
		C352	0CE108CJ618	"1000UF SHL,SD 35V 20% FL TP"
		C374	0CE108CJ618	"1000UF SHL,SD 35V 20% FL TP"
		C1007	0CE476WF6DC	47UF MVK 16V 20% R/TP(SMD)
		C1012	0CE107WF6DC	100UF MVK 16V 20% R/TP(SMD)
		C1013	0CE107WF6DC	100UF MVK 16V 20% R/TP(SMD)
		C1018	0CE476WF6DC	47UF MVK 16V 20% R/TP(SMD)
		C1019	0CE476WF6DC	47UF MVK 16V 20% R/TP(SMD)
		C1023	0CE477WF6DC	470UF MVK 16V 20% SMD R/TP(
		C1025	0CE477WF6DC	470UF MVK 16V 20% SMD R/TP(
		C1028	0CE477WF6DC	470UF MVK 16V 20% SMD R/TP(
		C1030	0CE107WF6DC	100UF MVK 16V 20% R/TP(SMD)
		C1035	0CE476WF6DC	47UF MVK 16V 20% R/TP(SMD)
		C1037	0CE477WF6DC	470UF MVK 16V 20% SMD R/TP(
		C1040	0CE476WF6DC	47UF MVK 16V 20% R/TP(SMD)
		C1042	0CE477WF6DC	470UF MVK 16V 20% SMD R/TP(
		C1045	0CE107WF6DC	100UF MVK 16V 20% R/TP(SMD)
		C106	0CE227WF6DC	220UF MVK 16V 20% R/TP(SMD)
		C1073	0CE477WF6DC	470UF MVK 16V 20% SMD R/TP(
		C1075	0CE107WF6DC	100UF MVK 16V 20% R/TP(SMD)
		C1078	0CE476WF6DC	47UF MVK 16V 20% R/TP(SMD)
		C108	0CE477WF6DC	470UF MVK 16V 20% SMD R/TP(
		C1084	0CE107WF6DC	100UF MVK 16V 20% R/TP(SMD)
		C1097	0CE107WF6DC	100UF MVK 16V 20% R/TP(SMD)
		C110	0CE477WF6DC	470UF MVK 16V 20% SMD R/TP(
		C1105	0CE107WF6DC	100UF MVK 16V 20% R/TP(SMD)
		C1107	0CE107WF6DC	100UF MVK 16V 20% R/TP(SMD)
		C111	0CE475VK6DC	4.7UF MV 50V 20% R/TP(SMD)
		C1112	0CE476WF6DC	47UF MVK 16V 20% R/TP(SMD)

DATE: 2005. 09. 21.				
*S	*AL	LOC. NO.	PART NO.	DESCRIPTION / SPECIFICATION
		C1114	0CE477WF6DC	470UF MVK 16V 20% SMD R/TP(
		C1117	0CE476WF6DC	47UF MVK 16V 20% R/TP(SMD)
		C112	0CE227WF6DC	220UF MVK 16V 20% R/TP(SMD)
		C1128	0CE476WF6DC	47UF MVK 16V 20% R/TP(SMD)
		C1129	0CE476WF6DC	47UF MVK 16V 20% R/TP(SMD)
		C113	0CE106VF6DC	10UF MV 16V 20% R/TP(SMD) S
		C1130	0CE476WF6DC	47UF MVK 16V 20% R/TP(SMD)
		C1131	0CE476WF6DC	47UF MVK 16V 20% R/TP(SMD)
		C1132	0CE107WF6DC	100UF MVK 16V 20% R/TP(SMD)
		C1134	0CE476WF6DC	47UF MVK 16V 20% R/TP(SMD)
		C1136	0CE107WF6DC	100UF MVK 16V 20% R/TP(SMD)
		C114	0CE475VK6DC	4.7UF MV 50V 20% R/TP(SMD)
		C1140	0CE107WF6DC	100UF MVK 16V 20% R/TP(SMD)
		C1142	0CE107WK6DC	100UF MVK 50V 20% R/TP(SMD)
		C1151	0CE107WF6DC	100UF MVK 16V 20% R/TP(SMD)
		C1152	0CE107WF6DC	100UF MVK 16V 20% R/TP(SMD)
		C1157	0CE107WF6DC	100UF MVK 16V 20% R/TP(SMD)
		C1158	0CE107WF6DC	100UF MVK 16V 20% R/TP(SMD)
		C1161	0CE476WF6DC	47UF MVK 16V 20% R/TP(SMD)
		C1168	0CE476WF6DC	47UF MVK 16V 20% R/TP(SMD)
		C1170	0CE107WF6DC	100UF MVK 16V 20% R/TP(SMD)
		C121	0CE476WF6DC	47UF MVK 16V 20% R/TP(SMD)
		C1230	0CE226WF6DC	22UF MVK 16V 20% R/TP(SMD)
		C1231	0CE226WF6DC	22UF MVK 16V 20% R/TP(SMD)
		C1264	0CE226WF6DC	22UF MVK 16V 20% R/TP(SMD)
		C1265	0CE226WF6DC	22UF MVK 16V 20% R/TP(SMD)
		C1266	0CE226WF6DC	22UF MVK 16V 20% R/TP(SMD)
		C1268	0CE226WF6DC	22UF MVK 16V 20% R/TP(SMD)
		C1273	0CE226WF6DC	22UF MVK 16V 20% R/TP(SMD)
		C1275	0CE226WF6DC	22UF MVK 16V 20% R/TP(SMD)
		C1283	0CE226WF6DC	22UF MVK 16V 20% R/TP(SMD)
		C1285	0CE226WF6DC	22UF MVK 16V 20% R/TP(SMD)
		C1296	0CE226WF6DC	22UF MVK 16V 20% R/TP(SMD)
		C1299	0CE107WH6DC	100UF MVK 25V 20% R/TP(SMD)
		C130	0CE226WF6DC	22UF MVK 16V 20% R/TP(SMD)
		C1302	0CE107WH6DC	100UF MVK 25V 20% R/TP(SMD)
		C1304	0CE106VK6DC	10UF MV 50V 20% R/TP(SMD) S
		C1305	0CE226WF6DC	22UF MVK 16V 20% R/TP(SMD)
		C1307	0CE476WF6DC	47UF MVK 16V 20% R/TP(SMD)
		C1312	0CE476WF6DC	47UF MVK 16V 20% R/TP(SMD)
		C1313	0CE476WF6DC	47UF MVK 16V 20% R/TP(SMD)
		C1314	0CE226WF6DC	22UF MVK 16V 20% R/TP(SMD)
		C1332	0CE107WF6DC	100UF MVK 16V 20% R/TP(SMD)
		C1334	0CE106VF6DC	10UF MV 16V 20% R/TP(SMD) S
		C1335	0CE475VK6DC	4.7UF MV 50V 20% R/TP(SMD)
		C1406	0CE476WF6DC	47UF MVK 16V 20% R/TP(SMD)
		C1408	0CE476VK6DC	47UF MV 50V 20% R/TP(SMD) S
		C1411	0CE476VK6DC	47UF MV 50V 20% R/TP(SMD) S
		C1412	0CE476VK6DC	47UF MV 50V 20% R/TP(SMD) S
		C1415	0CE107WF6DC	100UF MVK 16V 20% R/TP(SMD)
		C201	0CE106VF6DC	10UF MV 16V 20% R/TP(SMD) S-RZ-37LZ55
		C206	0CE226WF6DC	22UF MVK 16V 20% R/TP(SMD)-RZ-37LZ55
		C208	0CE226WF6DC	22UF MVK 16V 20% R/TP(SMD)-RZ-37LZ55
		C212	0CE106VF6DC	10UF MV 16V 20% R/TP(SMD) S-RZ-37LZ55
		C213	0CE106VF6DC	10UF MV 16V 20% R/TP(SMD) S-RZ-37LZ55
		C219	0CE226WF6DC	22UF MVK 16V 20% R/TP(SMD)
		C221	0CE226WF6DC	22UF MVK 16V 20% R/TP(SMD)
		C229	0CE226WF6DC	22UF MVK 16V 20% R/TP(SMD)
		C230	0CE226WF6DC	22UF MVK 16V 20% R/TP(SMD)
		C233	0CE106VF6DC	10UF MV 16V 20% R/TP(SMD) S
		C235	0CE107WF6DC	100UF MVK 16V 20% R/TP(SMD)-RZ-37LZ55
		C236	0CE107WF6DC	100UF MVK 16V 20% R/TP(SMD)

DATE: 2005. 09. 21.				
*S	*AL	LOC. NO.	PART NO.	DESCRIPTION / SPECIFICATION
		C249	0CE107WF6DC	100UF MVK 16V 20% R/TP(SMD)
		C252	0CE105VK6DC	1UF MV 50V 20% R/TP(SMD) SM-RT-37LZ55
		C253	0CE105VK6DC	1UF MV 50V 20% R/TP(SMD) SM-RT-37LZ55
		C255	0CH3104K566	0.1UF 50V 10% X7R 2012 R/TP-RT-37LZ55
		C3	0CE227WF6DC	220UF MVK 16V 20% R/TP(SMD)
		C302	0CE476WF6DC	47UF MVK 16V 20% R/TP(SMD)
		C303	0CE226WF6DC	22UF MVK 16V 20% R/TP(SMD)
		C314	0CE226WF6DC	22UF MVK 16V 20% R/TP(SMD)
		C325	0CE335VK6DC	3.3UF MV 50V 20% R/TP(SMD)
		C327	0CE107WF6DC	100UF MVK 16V 20% R/TP(SMD)
		C328	0CE106VF6DC	10UF MV 16V 20% R/TP(SMD) S
		C329	0CE106VF6DC	10UF MV 16V 20% R/TP(SMD) S
		C331	0CE475VK6DC	4.7UF MV 50V 20% R/TP(SMD)
		C334	0CE475VK6DC	4.7UF MV 50V 20% R/TP(SMD)
		C337	0CE106VF6DC	10UF MV 16V 20% R/TP(SMD) S
		C338	0CE476WF6DC	47UF MVK 16V 20% R/TP(SMD)
		C341	0CE107WF6DC	100UF MVK 16V 20% R/TP(SMD)
		C347	0CE475VK6DC	4.7UF MV 50V 20% R/TP(SMD)
		C351	0CE475VK6DC	4.7UF MV 50V 20% R/TP(SMD)
		C372	0CE335VK6DC	3.3UF MV 50V 20% R/TP(SMD)
		C378	0CE475WJ6DC	4.7UF MVK 35V 20% R/TP(SMD)
		C393	0CE475VK6DC	4.7UF MV 50V 20% R/TP(SMD)
		C394	0CE106VF6DC	10UF MV 16V 20% R/TP(SMD) S
		C400	0CE227WF6DC	220UF MVK 16V 20% R/TP(SMD)
		C404	0CE227WF6DC	220UF MVK 16V 20% R/TP(SMD)
		C406	0CE476WF6DC	47UF MVK 16V 20% R/TP(SMD)
		C411	0CE106VF6DC	10UF MV 16V 20% R/TP(SMD) S
		C434	0CE226WF6DC	22UF MVK 16V 20% R/TP(SMD)
		C436	0CE476WF6DC	47UF MVK 16V 20% R/TP(SMD)
		C438	0CE105VK6DC	1UF MV 50V 20% R/TP(SMD) SM
		C443	0CE105VK6DC	1UF MV 50V 20% R/TP(SMD) SM
		C611	0CE106VF6DC	10UF MV 16V 20% R/TP(SMD) S
		C625	0CE106VF6DC	10UF MV 16V 20% R/TP(SMD) S
		C633	0CE106VF6DC	10UF MV 16V 20% R/TP(SMD) S
		C640	0CE106VF6DC	10UF MV 16V 20% R/TP(SMD) S
		C653	0CE106VF6DC	10UF MV 16V 20% R/TP(SMD) S
		C904	0CE226WF6DC	22UF MVK 16V 20% R/TP(SMD)
		C905	0CE226WF6DC	22UF MVK 16V 20% R/TP(SMD)
		C952	0CE226WF6DC	22UF MVK 16V 20% R/TP(SMD)
		C955	0CE226WF6DC	22UF MVK 16V 20% R/TP(SMD)
		C362	0CF4741L438	0.47UF D 63V 5% TP 5 M/PE N
		C363	0CF4741L438	0.47UF D 63V 5% TP 5 M/PE N
DIODES				
		ZD400	0DR050008AA	SD05.TC R/TP SEMTECH SOD323
		ZD401	0DR050008AA	SD05.TC R/TP SEMTECH SOD323
		D100	0DS226009AA	KDS226 TP KEC - 80V -- 4NS
		D1001	0DS226009AA	KDS226 TP KEC - 80V -- 4NS
		D1002	0DS226009AA	KDS226 TP KEC - 80V -- 4NS
		D1005	0DS226009AA	KDS226 TP KEC - 80V -- 4NS
		D1006	0DS226009AA	KDS226 TP KEC - 80V -- 4NS
		D1009	0DS226009AA	KDS226 TP KEC - 80V -- 4NS
		D101	0DS226009AA	KDS226 TP KEC - 80V -- 4NS
		D1014	0DS226009AA	KDS226 TP KEC - 80V -- 4NS
		D601	0DS226009AA	KDS226 TP KEC - 80V -- 4NS
		D602	0DS226009AA	KDS226 TP KEC - 80V -- 4NS
		D603	0DD184009AA	KDS184 TP KEC - 85V --- 3
		D1004	0DS226009AA	KDS226 TP KEC - 80V -- 4NS
		D604	0DD184009AA	KDS184 TP KEC - 85V --- 3
		ZD1201	0DZ510009EE	UDZ S 5.1B TP ROHM-K SOD323
		ZD1202	0DZ510009EE	UDZ S 5.1B TP ROHM-K SOD323

DATE: 2005. 09. 21.				
*S	*AL	LOC. NO.	PART NO.	DESCRIPTION / SPECIFICATION
		ZD200	0DZ510009EE	UDZ S 5.1B TP ROHM-K SOD323-RZ-37LZ55
		ZD201	0DZ510009EE	UDZ S 5.1B TP ROHM-K SOD323-RZ-37LZ55
		ZD212	0DZ510009EE	UDZ S 5.1B TP ROHM-K SOD323-RZ-37LZ55
		ZD213	0DZ510009EE	UDZ S 5.1B TP ROHM-K SOD323
		ZD214	0DZ510009EE	UDZ S 5.1B TP ROHM-K SOD323
		ZD215	0DZ510009EE	UDZ S 5.1B TP ROHM-K SOD323
		ZD216	0DZ510009EE	UDZ S 5.1B TP ROHM-K SOD323
		ZD223	0DZ510009EE	UDZ S 5.1B TP ROHM-K SOD323-RZ-37LZ55
		ZD226	0DZ510009EE	UDZ S 5.1B TP ROHM-K SOD323-RZ-37LZ55
		ZD227	0DZ510009EE	UDZ S 5.1B TP ROHM-K SOD323-RZ-37LZ55
		ZD228	0DZ510009EE	UDZ S 5.1B TP ROHM-K SOD323-RZ-37LZ55
		ZD229	0DZ510009EE	UDZ S 5.1B TP ROHM-K SOD323-RZ-37LZ55
		ZD604	0DZ510009EE	UDZ S 5.1B TP ROHM-K SOD323
		ZD208	0DZ510009EE	UDZ S 5.1B TP ROHM-K SOD323-RZ-37LZ55
		ZD209	0DZ510009EE	UDZ S 5.1B TP ROHM-K SOD323-RZ-37LZ55
		ZD221	0DZ510009EE	UDZ S 5.1B TP ROHM-K SOD323
		ZD222	0DZ510009EE	UDZ S 5.1B TP ROHM-K SOD323
		ZD601	0DZ510009EE	UDZ S 5.1B TP ROHM-K SOD323
		ZD602	0DZ510009EE	UDZ S 5.1B TP ROHM-K SOD323
		ZD603	0DZ510009EE	UDZ S 5.1B TP ROHM-K SOD323
		ZD609	0DZ510009EE	UDZ S 5.1B TP ROHM-K SOD323
		ZD1400	0DZ560009DA	UDZ S 5.6B TP ROHM-K SOD323
		ZD300	0DZKE00048A	KDZ8.2V USC KEC R/TP NON
		ZD1401	0DZ330009DF	MTZJ33B TP ROHM-K DO34 0.5W
IC				
		IC900	0IZZ9H0062A	"MX29LV160BTTCC-70G,LF MACRO-RZ-37LZ55
		IC301	0ILNR00015A	"NSP-2100A,LF NEOFIDELITY TQ"
		IC602	0ICS240213A	CAT24W(F)C02J-TE13 8P SOP
		IC603	0ICS240213A	CAT24W(F)C02J-TE13 8P SOP
		IC804	0IAL242561B	AT24C256W-10SU-2.7V ATMEL 8
		IC901	0IMMRHY052C	"HY5DU281622ETP-5,PB FREE HY"
		IC902	0IMMRHY052C	"HY5DU281622ETP-5,PB FREE HY"
		IC201	0IMCRSG010A	ST323CDR SGS-THOMSON SOP16
		IC300	0IMCRMN028B	MSP4410K MICRONAS 80P/PQFP
		IC302	0IMCRTI028C	"TAS5122DCARG4,LF TEXAS INS"
		IC400	0ISO206900A	CXA2069Q QFP64 BK I2C BUS A
		IC800	0IMCR02005A	FLI8532BD-LF GENESIS 416P/P
		IC304	0IPRPTI034B	"TPA6110A2DGNRG4,LF TEXAS IN"
		IC600	0IPRPS5005A	SI19011CLU(PB FREE) SILICON
		IC601	0IPRP00623A	CM2021-00TR CAMD TSSOP-38 R
		IC802	0ISA721700C	LA7217M MFP14 TP SYNC SEPAR
		IC1000	0IMCRFA010A	"KA7809R, FAIRCHILD 2P D-PAK"
		IC1003	0IPMGSG018D	LD1086DT18TR-LF SGS-THOMSON
		IC1004	0IPRPM001A	MIC39100 MICREL 3P SOT223 R
		IC1006	0IPMGSG018D	LD1086DT18TR-LF SGS-THOMSON
		IC1009	0IPMGSG018D	LD1086DT18TR-LF SGS-THOMSON
		IC1012	0IMCRSH001A	"PQ05DZ1U SHARP 5, SMD TYPE"
		IC1013	0IMCRSH001A	"PQ05DZ1U SHARP 5, SMD TYPE"
		IC1014	0IMCRSH001A	"PQ05DZ1U SHARP 5, SMD TYPE"
		IC303	0IKE704200J	KIA7042AF SOT-89 TP 4.2V VO
		IC801	0IKE704200J	KIA7042AF SOT-89 TP 4.2V VO
		IC806	0IKE704200J	KIA7042AF SOT-89 TP 4.2V VO
		IC1001	0IRH033200A	BA033FP-E2 MOLD-3 TP REGULA
		IC1002	0IRH033200A	BA033FP-E2 MOLD-3 TP REGULA
		IC1005	0IRH033200A	BA033FP-E2 MOLD-3 TP REGULA
		IC1007	0IRH033200A	BA033FP-E2 MOLD-3 TP REGULA
		IC1010	0IRH033200A	BA033FP-E2 MOLD-3 TP REGULA
		IC401	0IPH741400E	74HC14D 14SOP TP SHITTER TR
		IC604	0ISTLFA058A	"74F14SCX FAIRCHILD 14P,SOIC"

DATE: 2005. 09. 21.				
*S	*AL	LOC. NO.	PART NO.	DESCRIPTION / SPECIFICATION
COIL & CORE & INDUCTOR				
		L303	6140VB0022A	CPS-0810 GET 22UH 21.5TURNS
		L304	6140VB0022A	CPS-0810 GET 22UH 21.5TURNS
		L305	6140VB0022A	CPS-0810 GET 22UH 21.5TURNS
		L306	6140VB0022A	CPS-0810 GET 22UH 21.5TURNS
		L110	6210TCE001L	HB-1T2012-102JT CERATECH 20
		AR601	6210TCE002B	HB-4M3216-121JT CERATECH 32
		AR602	6210TCE002B	HB-4M3216-121JT CERATECH 32
		AR603	6210TCE002B	HB-4M3216-121JT CERATECH 32
		AR604	6210TCE002B	HB-4M3216-121JT CERATECH 32
		AR605	6210TCE002B	HB-4M3216-121JT CERATECH 32
		AR606	6210TCE002B	HB-4M3216-121JT CERATECH 32
		L106	6210TCE001L	HB-1T2012-102JT CERATECH 20
		L107	6210TCE001L	HB-1T2012-102JT CERATECH 20
		L108	6210TCE001L	HB-1T2012-102JT CERATECH 20
		L109	6210TCE001L	HB-1T2012-102JT CERATECH 20
		L111	6210TCE001L	HB-1T2012-102JT CERATECH 20
		L115	6210TCE001L	HB-1T2012-102JT CERATECH 20
		L1001	6210TCE001G	HH-1M3216-501 CERATEC 3216M
		L1003	6210TCE001G	HH-1M3216-501 CERATEC 3216M
		L1004	6210TCE001G	HH-1M3216-501 CERATEC 3216M
		L1005	6210TCE001G	HH-1M3216-501 CERATEC 3216M
		L1006	6210TCE001G	HH-1M3216-501 CERATEC 3216M
		L1008	6210TCE001G	HH-1M3216-501 CERATEC 3216M
		L1009	6210TCE001G	HH-1M3216-501 CERATEC 3216M
		L101	6210TCE001G	HH-1M3216-501 CERATEC 3216M
		L1010	6210TCE001G	HH-1M3216-501 CERATEC 3216M
		L1011	6210TCE001G	HH-1M3216-501 CERATEC 3216M
		L1012	6210TCE001G	HH-1M3216-501 CERATEC 3216M
		L1013	6210TCE001G	HH-1M3216-501 CERATEC 3216M
		L1014	6210TCE001G	HH-1M3216-501 CERATEC 3216M
		L1015	6210TCE001G	HH-1M3216-501 CERATEC 3216M
		L1016	6210TCE001G	HH-1M3216-501 CERATEC 3216M
		L1017	6210TCE001G	HH-1M3216-501 CERATEC 3216M
		L1018	6210TCE001G	HH-1M3216-501 CERATEC 3216M
		L1019	6210TCE001G	HH-1M3216-501 CERATEC 3216M
		L102	6210TCE001G	HH-1M3216-501 CERATEC 3216M
		L1020	6210TCE001G	HH-1M3216-501 CERATEC 3216M
		L1021	6210TCE001G	HH-1M3216-501 CERATEC 3216M
		L1022	6210TCE001G	HH-1M3216-501 CERATEC 3216M
		L1023	6210TCE001G	HH-1M3216-501 CERATEC 3216M
		L1024	6210TCE001G	HH-1M3216-501 CERATEC 3216M
		L1026	6210TCE001G	HH-1M3216-501 CERATEC 3216M
		L1027	6210TCE001G	HH-1M3216-501 CERATEC 3216M
		L1028	6210TCE001G	HH-1M3216-501 CERATEC 3216M
		L103	6210TCE001G	HH-1M3216-501 CERATEC 3216M
		L1031	6210TCE001G	HH-1M3216-501 CERATEC 3216M
		L1035	6210TCE001G	HH-1M3216-501 CERATEC 3216M
		L105	6210TCE001G	HH-1M3216-501 CERATEC 3216M
		L1201	6210TCE001G	HH-1M3216-501 CERATEC 3216M
		L202	6210TCE001A	HB-1S2012-080JT CERATEC 201-RZ-37LZ55
		L203	6210TCE001A	HB-1S2012-080JT CERATEC 201-RZ-37LZ55
		L204	6210TCE001A	HB-1S2012-080JT CERATEC 201-RZ-37LZ55
		L205	6210TCE001A	HB-1S2012-080JT CERATEC 201-RZ-37LZ55
		L206	6210TCE001A	HB-1S2012-080JT CERATEC 201-RZ-37LZ55
		L209	6210TCE001A	HB-1S2012-080JT CERATEC 201
		L210	6210TCE001A	HB-1S2012-080JT CERATEC 201-RT-37LZ55
		L211	6210TCE001A	HB-1S2012-080JT CERATEC 201-RT-37LZ55
		L212	6210TCE001A	HB-1S2012-080JT CERATEC 201-RT-37LZ55
		L214	6210TCE001A	HB-1S2012-080JT CERATEC 201
		L215	6210TCE001A	HB-1S2012-080JT CERATEC 201
		L216	6210TCE001A	HB-1S2012-080JT CERATEC 201

DATE: 2005. 09. 21.				
*S	*AL	LOC. NO.	PART NO.	DESCRIPTION / SPECIFICATION
		L217	6210TCE001A	HB-1S2012-080JT CERATEC 201
		L299	6210TCE001A	HB-1S2012-080JT CERATEC 201
		L300	6210TCE001G	HH-1M3216-501 CERATEC 3216M
		L301	6210TCE001G	HH-1M3216-501 CERATEC 3216M
		L302	6210TCE001G	HH-1M3216-501 CERATEC 3216M
		L309	6210TCE001G	HH-1M3216-501 CERATEC 3216M
		L315	6210TCE001G	HH-1M3216-501 CERATEC 3216M
		L316	6210TCE001G	HH-1M3216-501 CERATEC 3216M
		L317	6210TCE001G	HH-1M3216-501 CERATEC 3216M
		L400	6210TCE001G	HH-1M3216-501 CERATEC 3216M
		L601	6210TCE001G	HH-1M3216-501 CERATEC 3216M
		L602	6210TCE001G	HH-1M3216-501 CERATEC 3216M
		L603	6210TCE001G	HH-1M3216-501 CERATEC 3216M
		L604	6210TCE001G	HH-1M3216-501 CERATEC 3216M
		L605	6210TCE001G	HH-1M3216-501 CERATEC 3216M
		L606	6210TCE001G	HH-1M3216-501 CERATEC 3216M
		L607	6210TCE001G	HH-1M3216-501 CERATEC 3216M
		L609	6210TCE001G	HH-1M3216-501 CERATEC 3216M
		L610	6210TCE001G	HH-1M3216-501 CERATEC 3216M
		L611	6210TCE001G	HH-1M3216-501 CERATEC 3216M
		L612	6210TCE001G	HH-1M3216-501 CERATEC 3216M
		L1000	6210TCE001G	HH-1M3216-501 CERATEC 3216M
		L1002	6210TCE001G	HH-1M3216-501 CERATEC 3216M
		L1007	6210TCE001G	HH-1M3216-501 CERATEC 3216M
		L1025	6210TCE001G	HH-1M3216-501 CERATEC 3216M
		L1029	6210TCE001G	HH-1M3216-501 CERATEC 3216M
		L1030	6210TCE001G	HH-1M3216-501 CERATEC 3216M
		L1040	6210TCE001G	HH-1M3216-501 CERATEC 3216M
		L116	6210TCE001G	HH-1M3216-501 CERATEC 3216M
		L1401	6210TCE001G	HH-1M3216-501 CERATEC 3216M
		L1402	6210TCE001G	HH-1M3216-501 CERATEC 3216M
		L1403	6210TCE001G	HH-1M3216-501 CERATEC 3216M
		L1404	6210TCE001G	HH-1M3216-501 CERATEC 3216M
		L2	6210TCE001G	HH-1M3216-501 CERATEC 3216M
		L207	6210TCE001A	HB-1S2012-080JT CERATEC 201- RZ-37LZ55
		L208	6210TCE001A	HB-1S2012-080JT CERATEC 201- RZ-37LZ55
		L307	6210TCE001G	HH-1M3216-501 CERATEC 3216M
		L308	6210TCE001G	HH-1M3216-501 CERATEC 3216M
		L310	6210TCE001S	HU-1M2012-121 CERATECH 2012
		L311	6210TCE001S	HU-1M2012-121 CERATECH 2012
		L312	6210TCE001S	HU-1M2012-121 CERATECH 2012
		L313	6210TCE001S	HU-1M2012-121 CERATECH 2012
		L314	6210TCE001G	HH-1M3216-501 CERATEC 3216M
		L318	6210TCE001G	HH-1M3216-501 CERATEC 3216M
		L401	6210TCE001G	HH-1M3216-501 CERATEC 3216M
		L608	6210TCE001G	HH-1M3216-501 CERATEC 3216M
		L200	0LC1020101A	1UH 10% 2012 R/TC FI-B2012- RZ-37LZ55
		L213	0LC0233002A	3.3UH CERATECH R/TP
		L218	0LC1032101A	10UH 10% 3216 R/TC FI-C3216
		L219	0LC1032101A	10UH 10% 3216 R/TC FI-C3216
		L220	6210TCE001G	HH-1M3216-501 CERATEC 3216M- RT-37LZ55
		L402	0LC1032101A	10UH 10% 3216 R/TC FI-C3216
		L201	0LC1020101A	1UH 10% 2012 R/TC FI-B2012- RZ-37LZ55
TRANSISTOR				
		Q1001	0TR387500AA	CHIP 2SC3875S(ALY) BK KEC -
		Q102	0TR387500AA	CHIP 2SC3875S(ALY) BK KEC -
		Q103	0TR150400BA	CHIP 2SA1504S(ASY) BK KEC -
		Q105	0TR387500AA	CHIP 2SC3875S(ALY) BK KEC -
		Q107	0TR387500AA	CHIP 2SC3875S(ALY) BK KEC -
		Q108	0TR150400BA	CHIP 2SA1504S(ASY) BK KEC -

DATE: 2005. 09. 21.				
*S	*AL	LOC. NO.	PART NO.	DESCRIPTION / SPECIFICATION
		Q109	0TR150400BA	CHIP 2SA1504S(ASY) BK KEC -
		Q113	0TR387500AA	CHIP 2SC3875S(ALY) BK KEC -
		Q210	0TR387500AA	CHIP 2SC3875S(ALY) BK KEC -- RT-37LZ55
		Q211	0TR387500AA	CHIP 2SC3875S(ALY) BK KEC -- RT-37LZ55
		Q213	0TR387500AA	CHIP 2SC3875S(ALY) BK KEC -- RT-37LZ55
		Q301	0TR387500AA	CHIP 2SC3875S(ALY) BK KEC -
		Q302	0TR387500AA	CHIP 2SC3875S(ALY) BK KEC -
		Q303	0TR387500AA	CHIP 2SC3875S(ALY) BK KEC -
		Q304	0TR387500AA	CHIP 2SC3875S(ALY) BK KEC -
		Q305	0TR102008AA	KRA102S R/TP KEC SOT23 CHIP
		Q306	0TR387500AA	CHIP 2SC3875S(ALY) BK KEC -
		Q307	0TR387500AA	CHIP 2SC3875S(ALY) BK KEC -
		Q309	0TR387500AA	CHIP 2SC3875S(ALY) BK KEC -
		Q402	0TR387500AA	CHIP 2SC3875S(ALY) BK KEC -
		Q1	0TR387500AA	CHIP 2SC3875S(ALY) BK KEC -
		Q110	0TR830009BA	BSS83 TP PHILIPS NON N-CHAN
		Q111	0TR830009BA	BSS83 TP PHILIPS NON N-CHAN
		Q308	0TR387500AA	CHIP 2SC3875S(ALY) BK KEC -
		Q400	0TR387500AA	CHIP 2SC3875S(ALY) BK KEC -
		Q401	0TR387500AA	CHIP 2SC3875S(ALY) BK KEC -
		Q403	0TR150400BA	CHIP 2SA1504S(ASY) BK KEC -
		Q405	0TR387500AA	CHIP 2SC3875S(ALY) BK KEC -
		Q406	0TR387500AA	CHIP 2SC3875S(ALY) BK KEC -
		IC1	0TF492509AA	SI4925DY TP TEMIC 30V 6.1A
RESISTORS				
		AR801	0RHZTCZ001D	RCA SMART 220OHM 1/16 W 5% 3
		AR802	0RHZTCZ001D	RCA SMART 220OHM 1/16 W 5% 3
		AR803	0RHZTCZ001D	RCA SMART 220OHM 1/16 W 5% 3
		AR804	0RHZTCZ001D	RCA SMART 220OHM 1/16 W 5% 3
		AR806	0RHZTCZ001D	RCA SMART 220OHM 1/16 W 5% 3
		AR807	0RHZTCZ001D	RCA SMART 220OHM 1/16 W 5% 3
		AR808	0RHZTCZ001D	RCA SMART 220OHM 1/16 W 5% 3
		AR809	0RHZTCZ001D	RCA SMART 220OHM 1/16 W 5% 3
		AR810	0RHZTCZ001D	RCA SMART 220OHM 1/16 W 5% 3
		AR811	0RHZTCZ001D	RCA SMART 220OHM 1/16 W 5% 3
		AR812	0RHZTCZ001D	RCA SMART 220OHM 1/16 W 5% 3
		AR813	0RHZTCZ001D	RCA SMART 220OHM 1/16 W 5% 3
		R1004	0RH1801D622	1.8K OHM 1 / 10 W 2012 5.00
		R1005	0RH3601D622	3.6K OHM 1 / 10 W 2012 5.00
		R1006	0RH2401D622	2.4K OHM 1 / 10 W 2012 5.00
		R1007	0RH0000D622	0 OHM 1 / 10 W 2012 5.00% D
		R1008	0RH1801D622	1.8K OHM 1 / 10 W 2012 5.00
		R1012	0RH4701D622	4.7K OHM 1 / 10 W 2012 5.00
		R1014	0RH4701D622	4.7K OHM 1 / 10 W 2012 5.00
		R107	0RH1002D622	10K OHM 1 / 10 W 2012 5.00%
		R109	0RH2201D622	2.2K OHM 1 / 10 W 2012 5.00
		R110	0RH1002D622	10K OHM 1 / 10 W 2012 5.00%
		R111	0RH0222D622	22 OHM 1 / 10 W 2012 5.00%
		R112	0RH0102D622	10 OHM 1 / 10 W 2012 5.00%
		R114	0RH1001D622	1K OHM 1 / 10 W 2012 5.00%
		R115	0RH0000D622	0 OHM 1 / 10 W 2012 5.00% D
		R116	0RH2200D622	220 OHM 1 / 10 W 2012 5.00%
		R117	0RH2200D622	220 OHM 1 / 10 W 2012 5.00%
		R119	0RH1001D622	1K OHM 1 / 10 W 2012 5.00%
		R120	0RH1003D622	100K OHM 1 / 10 W 2012 5.00
		R1201	0RH0822D622	82 OHM 1 / 10 W 2012 5.00%
		R1202	0RH4701D622	4.7K OHM 1 / 10 W 2012 5.00
		R1204	0RH0000D622	0 OHM 1 / 10 W 2012 5.00% D
		R1205	0RH0822D622	82 OHM 1 / 10 W 2012 5.00%
		R1206	0RH0000D622	0 OHM 1 / 10 W 2012 5.00% D

DATE: 2005. 09. 21.				
*S	*AL	LOC. NO.	PART NO.	DESCRIPTION / SPECIFICATION
		R1207	0RH0000D622	0 OHM 1 / 10 W 2012 5.00% D
		R121	0RH0000D622	0 OHM 1 / 10 W 2012 5.00% D
		R122	0RH1002D622	10K OHM 1 / 10 W 2012 5.00%
		R123	0RH1001D622	1K OHM 1 / 10 W 2012 5.00%
		R124	0RH1001D622	1K OHM 1 / 10 W 2012 5.00%
		R125	0RH2200D622	220 OHM 1 / 10 W 2012 5.00%
		R126	0RH2200D622	220 OHM 1 / 10 W 2012 5.00%
		R127	0RH2000D622	200 OHM 1 / 10 W 5% D R/TP
		R128	0RH1500D622	150 OHM 1 / 10 W 2012 5.00%
		R129	0RH2001D622	2K OHM 1 / 10 W 2012 5.00%
		R130	0RH2001D622	2K OHM 1 / 10 W 2012 5.00%
		R1300	0RH1002D622	10K OHM 1 / 10 W 2012 5.00%
		R1301	0RH1002D622	10K OHM 1 / 10 W 2012 5.00%
		R1309	0RH0471D622	4.7 OHM 1 / 10 W 2012 5.00%
		R1401	0RH6800D622	680 OHM 1 / 10 W 5% D R/TP
		R1402	0RH1001D622	1K OHM 1 / 10 W 2012 5.00%
		R142	0RH0000D622	0 OHM 1 / 10 W 2012 5.00% D
		R151	0RH1002D622	10K OHM 1 / 10 W 2012 5.00%
		R157	0RH1002D622	10K OHM 1 / 10 W 2012 5.00%
		R1801	0RH0332D622	33 OHM 1 / 10 W 2012 5.00%
		R1802	0RH0332D622	33 OHM 1 / 10 W 2012 5.00%
		R1804	0RH0000D622	0 OHM 1 / 10 W 2012 5.00% D
		R1807	0RH4700D622	470 OHM 1 / 10 W 2012 5.00%
		R200	0RH0752D622	75 OHM 1 / 10 W 2012 5.00%
		R201	0RH0752D622	75 OHM 1 / 10 W 2012 5.00%
		R202	0RH5101D622	5.1K OHM 1 / 10 W 2012 5.00
		R203	0RH4703D622	470K OHM 1 / 10 W 2012 5.00
		R204	0RH5101D622	5.1K OHM 1 / 10 W 2012 5.00
		R205	0RH0682D622	68 OHM 1 / 10 W 2012 5.00%-RZ-37LZ55
		R207	0RH0752D622	75 OHM 1 / 10 W 2012 5.00%-RZ-37LZ55
		R208	0RH4703D622	470K OHM 1 / 10 W 2012 5.00
		R209	0RH0222D622	22 OHM 1 / 10 W 2012 5.00%-RZ-37LZ55
		R210	0RH3902D622	39K OHM 1 / 10 W 2012 5.00%-RZ-37LZ55
		R211	0RH5102D622	51K OHM 1 / 10 W 2012 5.00%-RZ-37LZ55
		R212	0RH4703D622	470K OHM 1 / 10 W 2012 5.00-RZ-37LZ55
		R213	0RH1001D622	1K OHM 1 / 10 W 2012 5.00%-RZ-37LZ55
		R214	0RH1001D622	1K OHM 1 / 10 W 2012 5.00%-RZ-37LZ55
		R215	0RH4703D622	470K OHM 1 / 10 W 2012 5.00-RZ-37LZ55
		R216	0RH0752D622	75 OHM 1 / 10 W 2012 5.00%-RT-37LZ55
		R217	0RH0752D622	75 OHM 1 / 10 W 2012 5.00%-RT-37LZ55
		R218	0RH1001D622	1K OHM 1 / 10 W 2012 5.00%-RZ-37LZ55
		R220	0RH1001D622	1K OHM 1 / 10 W 2012 5.00%-RZ-37LZ55
		R222	0RH1001D622	1K OHM 1 / 10 W 2012 5.00%-RT-37LZ55
		R223	0RH2702D622	27K OHM 1 / 10 W 2012 5.00%-RT-37LZ55
		R224	0RH4702D622	47K OHM 1 / 10 W 2012 5.00%-RT-37LZ55
		R225	0RH1001D622	1K OHM 1 / 10 W 2012 5.00%-RT-37LZ55
		R226	0RH1002D622	10K OHM 1 / 10 W 2012 5.00%-RT-37LZ55
		R227	0RH1002D622	10K OHM 1 / 10 W 2012 5.00%-RT-37LZ55
		R228	0RH1001D622	1K OHM 1 / 10 W 2012 5.00%-RT-37LZ55
		R229	0RH1002D622	10K OHM 1 / 10 W 2012 5.00%-RT-37LZ55
		R230	0RH1002D622	10K OHM 1 / 10 W 2012 5.00%-RT-37LZ55
		R231	0RH1000D622	100 OHM 1 / 10 W 2012 5.00%-RT-37LZ55
		R232	0RH1000D622	100 OHM 1 / 10 W 2012 5.00%-RT-37LZ55
		R233	0RH1000D622	100 OHM 1 / 10 W 2012 5.00%-RT-37LZ55
		R234	0RH0222D622	22 OHM 1 / 10 W 2012 5.00%-RT-37LZ55
		R236	0RH1001D622	1K OHM 1 / 10 W 2012 5.00%
		R237	0RH0682D622	68 OHM 1 / 10 W 2012 5.00%
		R240	0RH0222D622	22 OHM 1 / 10 W 2012 5.00%-RZ-37LZ55
		R241	0RH0752D622	75 OHM 1 / 10 W 2012 5.00%-RZ-37LZ55
		R243	0RH0000D622	0 OHM 1 / 10 W 2012 5.00% D-RZ-37LZ55
		R243	0RH0752D622	75 OHM 1 / 10 W 2012 5.00%-RT-37LZ55
		R244	0RH0000D622	0 OHM 1 / 10 W 2012 5.00% D-RZ-37LZ55

DATE: 2005. 09. 21.				
*S	*AL	LOC. NO.	PART NO.	DESCRIPTION / SPECIFICATION
		R245	0RH0752D622	75 OHM 1 / 10 W 2012 5.00%-RZ-37LZ55
		R246	0RH0000D622	0 OHM 1 / 10 W 2012 5.00% D-RZ-37LZ55
		R247	0RH0752D622	75 OHM 1 / 10 W 2012 5.00%-RZ-37LZ55
		R248	0RH0000D622	0 OHM 1 / 10 W 2012 5.00% D-RZ-37LZ55
		R249	0RH0752D622	75 OHM 1 / 10 W 2012 5.00%-RZ-37LZ55
		R250	0RH3902D622	39K OHM 1 / 10 W 2012 5.00%-RZ-37LZ55
		R251	0RH5102D622	51K OHM 1 / 10 W 2012 5.00%-RZ-37LZ55
		R257	0RH1001D622	1K OHM 1 / 10 W 2012 5.00%
		R269	0RH4703D622	470K OHM 1 / 10 W 2012 5.00
		R270	0RH4703D622	470K OHM 1 / 10 W 2012 5.00
		R271	0RH1000D622	100 OHM 1 / 10 W 2012 5.00%
		R272	0RH1000D622	100 OHM 1 / 10 W 2012 5.00%
		R277	0RH1000D622	100 OHM 1 / 10 W 2012 5.00%
		R279	0RH1000D622	100 OHM 1 / 10 W 2012 5.00%
		R287	0RH1002D622	10K OHM 1 / 10 W 2012 5.00%
		R288	0RH1200D622	120 OHM 1 / 10 W 2012 5.00%
		R301	0RH1002D622	10K OHM 1 / 10 W 2012 5.00%
		R304	0RH4701D622	4.7K OHM 1 / 10 W 2012 5.00
		R306	0RH0432D622	43 OHM 1 / 10 W 2012 5.00%
		R307	0RH0432D622	43 OHM 1 / 10 W 2012 5.00%
		R309	0RH1001D622	1K OHM 1 / 10 W 2012 5.00%
		R317	0RH4701D622	4.7K OHM 1 / 10 W 2012 5.00
		R319	0RH1000D622	100 OHM 1 / 10 W 2012 5.00%
		R320	0RH0000D622	0 OHM 1 / 10 W 2012 5.00% D
		R321	0RH0000D622	0 OHM 1 / 10 W 2012 5.00% D
		R322	0RH1000D622	100 OHM 1 / 10 W 2012 5.00%
		R323	0RH4703D622	470K OHM 1 / 10 W 2012 5.00
		R326	0RH1002D622	10K OHM 1 / 10 W 2012 5.00%
		R329	0RH1000D622	100 OHM 1 / 10 W 2012 5.00%
		R330	0RH1002D622	10K OHM 1 / 10 W 2012 5.00%
		R331	0RH4701D622	4.7K OHM 1 / 10 W 2012 5.00
		R338	0RH1002D622	10K OHM 1 / 10 W 2012 5.00%
		R341	0RH3301D622	3.3K OHM 1 / 10 W 2012 5.00
		R342	0RH1001D622	1K OHM 1 / 10 W 2012 5.00%
		R343	0RH1001D622	1K OHM 1 / 10 W 2012 5.00%
		R346	0RH1000D622	100 OHM 1 / 10 W 2012 5.00%
		R348	0RH0331D622	3.3 OHM 1 / 10 W 2012 5.00%
		R349	0RH4701D622	4.7K OHM 1 / 10 W 2012 5.00
		R350	0RH0221D622	2.2 OHM 1 / 10 W 2012 5.00%
		R351	0RH4703D622	470K OHM 1 / 10 W 2012 5.00
		R352	0RH0221D622	2.2 OHM 1 / 10 W 2012 5.00%
		R353	0RH0221D622	2.2 OHM 1 / 10 W 2012 5.00%
		R354	0RH0221D622	2.2 OHM 1 / 10 W 2012 5.00%
		R355	0RH4701D622	4.7K OHM 1 / 10 W 2012 5.00
		R356	0RH1000D622	100 OHM 1 / 10 W 2012 5.00%
		R358	0RH2001D622	2K OHM 1 / 10 W 2012 5.00%
		R359	0RH1002D622	10K OHM 1 / 10 W 2012 5.00%
		R360	0RH1002D622	10K OHM 1 / 10 W 2012 5.00%
		R361	0RH1002D622	10K OHM 1 / 10 W 2012 5.00%
		R362	0RH0221D622	2.2 OHM 1 / 10 W 2012 5.00%
		R363	0RH0101D622	1.0 1/10W 5 TA
		R364	0RH0101D622	1.0 1/10W 5 TA
		R365	0RH0101D622	1.0 1/10W 5 TA
		R366	0RH1000D622	100 OHM 1 / 10 W 2012 5.00%
		R367	0RH0102D622	10 OHM 1 / 10 W 2012 5.00%
		R372	0RH1501D622	1.5K OHM 1 / 10 W 2012 5.00
		R376	0RH1000D622	100 OHM 1 / 10 W 2012 5.00%
		R379	0RH0331D622	3.3 OHM 1 / 10 W 2012 5.00%
		R380	0RH0000D622	0 OHM 1 / 10 W 2012 5.00% D
		R381	0RH1001D622	1K OHM 1 / 10 W 2012 5.00%
		R382	0RH1001D622	1K OHM 1 / 10 W 2012 5.00%
		R389	0RH1002D622	10K OHM 1 / 10 W 2012 5.00%

DATE: 2005. 09. 21.				
*S	*AL	LOC. NO.	PART NO.	DESCRIPTION / SPECIFICATION
		R391	ORH0221D622	2.2 OHM 1 / 10 W 2012 5.00%
		R392	ORH0221D622	2.2 OHM 1 / 10 W 2012 5.00%
		R393	ORH0221D622	2.2 OHM 1 / 10 W 2012 5.00%
		R394	ORH1002D622	10K OHM 1 / 10 W 2012 5.00%
		R395	ORH2001D622	2K OHM 1 / 10 W 2012 5.00%
		R396	ORH4703D622	470K OHM 1 / 10 W 2012 5.00
		R397	ORH0101D622	1.0 1/10W 5 TA
		R398	ORH1501D622	1.5K OHM 1 / 10 W 2012 5.00
		R408	ORH3300D622	330 OHM 1 / 10 W 2012 5.00%
		R409	ORH0000D622	0 OHM 1 / 10 W 2012 5.00% D
		R411	ORH1001D622	1K OHM 1 / 10 W 2012 5.00%
		R412	ORH1001D622	1K OHM 1 / 10 W 2012 5.00%
		R415	ORH4700D622	470 OHM 1 / 10 W 2012 5.00%
		R428	ORH1201D622	1.2K OHM 1 / 10 W 2012 5.00
		R430	ORH1201D622	1.2K OHM 1 / 10 W 2012 5.00
		R444	ORH1000D622	100 OHM 1 / 10 W 2012 5.00%
		R447	ORH1000D622	100 OHM 1 / 10 W 2012 5.00%
		R448	ORH1003D622	100K OHM 1 / 10 W 2012 5.00
		R449	ORH1000D622	100 OHM 1 / 10 W 2012 5.00%
		R459	ORH1503D622	150K OHM 1 / 10 W 2012 5.00
		R462	ORH0000D622	0 OHM 1 / 10 W 2012 5.00% D
		R466	ORH0000D622	0 OHM 1 / 10 W 2012 5.00% D
		R468	ORH0000D622	0 OHM 1 / 10 W 2012 5.00% D
		R603	ORH1001D622	1K OHM 1 / 10 W 2012 5.00%
		R604	ORH2001D622	2K OHM 1 / 10 W 2012 5.00%
		R632	ORH0000D622	0 OHM 1 / 10 W 2012 5.00% D
		R633	ORH0000D622	0 OHM 1 / 10 W 2012 5.00% D
		R634	ORH0000D622	0 OHM 1 / 10 W 2012 5.00% D
		R635	ORH4702D622	47K OHM 1 / 10 W 2012 5.00%
		R636	ORH4702D622	47K OHM 1 / 10 W 2012 5.00%
		R637	ORH0000D622	0 OHM 1 / 10 W 2012 5.00% D
		R638	ORH1001D622	1K OHM 1 / 10 W 2012 5.00%
		R639	ORH0512D622	51 OHM 1 / 10 W 2012 5.00%
		R640	ORH0512D622	51 OHM 1 / 10 W 2012 5.00%
		R651	ORH1000D622	100 OHM 1 / 10 W 2012 5.00%
		R657	ORH1202D622	12K OHM 1 / 10 W 2012 5.00%
		R658	ORH1502D622	15K OHM 1 / 10 W 2012 5.00%
		R802	ORH0222D622	22 OHM 1 / 10 W 2012 5.00%
		R809	ORH0222D622	22 OHM 1 / 10 W 2012 5.00%
		R814	ORH0222D622	22 OHM 1 / 10 W 2012 5.00%
		R829	ORH0222D622	22 OHM 1 / 10 W 2012 5.00%
		R844	ORH3301D622	3.3K OHM 1 / 10 W 2012 5.00
		R865	ORH0000D622	0 OHM 1 / 10 W 2012 5.00% D
		R867	ORH4701D622	4.7K OHM 1 / 10 W 2012 5.00
		R884	ORH0332D622	33 OHM 1 / 10 W 2012 5.00%
		R885	ORH0332D622	33 OHM 1 / 10 W 2012 5.00%
		R886	ORH0332D622	33 OHM 1 / 10 W 2012 5.00%
		R887	ORH0332D622	33 OHM 1 / 10 W 2012 5.00%
		R890	ORH0332D622	33 OHM 1 / 10 W 2012 5.00%
		R891	ORH0332D622	33 OHM 1 / 10 W 2012 5.00%
		R894	ORH0332D622	33 OHM 1 / 10 W 2012 5.00%
		R896	ORH0332D622	33 OHM 1 / 10 W 2012 5.00%
		R897	ORH0222D622	22 OHM 1 / 10 W 2012 5.00%
		R898	ORH0222D622	22 OHM 1 / 10 W 2012 5.00%
		R899	ORH0222D622	22 OHM 1 / 10 W 2012 5.00%
		R903	ORH0000D622	0 OHM 1 / 10 W 2012 5.00% D
		R905	ORH1002D622	10K OHM 1 / 10 W 2012 5.00%
		R906	ORH1002D622	10K OHM 1 / 10 W 2012 5.00%
		R908	ORH0222D622	22 OHM 1 / 10 W 2012 5.00%
		R909	ORH0222D622	22 OHM 1 / 10 W 2012 5.00%
		R910	ORH0000D622	0 OHM 1 / 10 W 2012 5.00% D
		R911	ORH0000D622	0 OHM 1 / 10 W 2012 5.00% D

DATE: 2005. 09. 21.				
*S	*AL	LOC. NO.	PART NO.	DESCRIPTION / SPECIFICATION
		R913	ORH1001D622	1K OHM 1 / 10 W 2012 5.00%
		R920	ORH1002D622	10K OHM 1 / 10 W 2012 5.00%
		R921	ORH1002D622	10K OHM 1 / 10 W 2012 5.00%
		R931	ORH1002D622	10K OHM 1 / 10 W 2012 5.00%
		R936	ORH1001D622	1K OHM 1 / 10 W 2012 5.00%
		R937	ORH1001D622	1K OHM 1 / 10 W 2012 5.00%
		R941	ORH1002D622	10K OHM 1 / 10 W 2012 5.00%
		R942	ORH1002D622	10K OHM 1 / 10 W 2012 5.00%
		R945	ORH1002D622	10K OHM 1 / 10 W 2012 5.00%
		R947	ORH0222D622	22 OHM 1 / 10 W 2012 5.00%
		R1	ORH0000D622	0 OHM 1 / 10 W 2012 5.00% D
		R1000	ORH1002D622	10K OHM 1 / 10 W 2012 5.00%
		R1001	ORH1002D622	10K OHM 1 / 10 W 2012 5.00%
		R1002	ORH1002D622	10K OHM 1 / 10 W 2012 5.00%
		R1003	ORH1002D622	10K OHM 1 / 10 W 2012 5.00%
		R1010	ORH0222D622	22 OHM 1 / 10 W 2012 5.00%
		R1016	ORH4701D622	4.7K OHM 1 / 10 W 2012 5.00
		R1302	ORH2002D622	20K OHM 1 / 10 W 2012 5.00%
		R1303	ORH2002D622	20K OHM 1 / 10 W 2012 5.00%
		R1304	ORH1001D622	1K OHM 1 / 10 W 2012 5.00%
		R1305	ORH1001D622	1K OHM 1 / 10 W 2012 5.00%
		R1306	ORH4701D622	4.7K OHM 1 / 10 W 2012 5.00
		R1307	ORH4701D622	4.7K OHM 1 / 10 W 2012 5.00
		R1308	ORH4701D622	4.7K OHM 1 / 10 W 2012 5.00
		R144	ORH4701D622	4.7K OHM 1 / 10 W 2012 5.00
		R145	ORH4701D622	4.7K OHM 1 / 10 W 2012 5.00
		R1805	ORH2702D622	27K OHM 1 / 10 W 2012 5.00%
		R1808	ORH2701D622	2.7K OHM 1 / 10 W 2012 5.00
		R1809	ORH2701D622	2.7K OHM 1 / 10 W 2012 5.00
		R1812	ORH1002D622	10K OHM 1 / 10 W 2012 5.00%
		R1813	ORH1002D622	10K OHM 1 / 10 W 2012 5.00%
		R1815	ORH0222D622	22 OHM 1 / 10 W 2012 5.00%
		R2	ORH0000D622	0 OHM 1 / 10 W 2012 5.00% D
		R238	ORH0222D622	22 OHM 1 / 10 W 2012 5.00%- RZ-37LZ55
		R239	ORH0752D622	75 OHM 1 / 10 W 2012 5.00%- RZ-37LZ55
		R252	ORH4703D622	470K OHM 1 / 10 W 2012 5.00%- RZ-37LZ55
		R253	ORH1001D622	1K OHM 1 / 10 W 2012 5.00%- RZ-37LZ55
		R254	ORH1001D622	1K OHM 1 / 10 W 2012 5.00%- RZ-37LZ55
		R255	ORH4703D622	470K OHM 1 / 10 W 2012 5.00%- RZ-37LZ55
		R260	ORH0752D622	75 OHM 1 / 10 W 2012 5.00%- RT-37LZ55
		R261	ORH0752D622	75 OHM 1 / 10 W 2012 5.00%- RT-37LZ55
		R262	ORH4703D622	470K OHM 1 / 10 W 2012 5.00%- RT-37LZ55
		R263	ORH4703D622	470K OHM 1 / 10 W 2012 5.00%- RT-37LZ55
		R267	ORH1001D622	1K OHM 1 / 10 W 2012 5.00%
		R268	ORH1001D622	1K OHM 1 / 10 W 2012 5.00%
		R273	ORH1000D622	100 OHM 1 / 10 W 2012 5.00%
		R274	ORH1000D622	100 OHM 1 / 10 W 2012 5.00%
		R275	ORH1000D622	100 OHM 1 / 10 W 2012 5.00%
		R276	ORH1000D622	100 OHM 1 / 10 W 2012 5.00%
		R280	ORH2200D622	220 OHM 1 / 10 W 2012 5.00%
		R281	ORH2200D622	220 OHM 1 / 10 W 2012 5.00%
		R282	ORH0000D622	0 OHM 1 / 10 W 2012 5.00% D
		R283	ORH0000D622	0 OHM 1 / 10 W 2012 5.00% D
		R284	ORH0000D622	0 OHM 1 / 10 W 2012 5.00% D
		R285	ORH0000D622	0 OHM 1 / 10 W 2012 5.00% D
		R286	ORH0000D622	0 OHM 1 / 10 W 2012 5.00% D
		R295	ORH0000D622	0 OHM 1 / 10 W 2012 5.00% D-RT-37LZ55
		R296	ORH0000D622	0 OHM 1 / 10 W 2012 5.00% D-RT-37LZ55
		R297	ORH0000D622	0 OHM 1 / 10 W 2012 5.00% D-RT-37LZ55
		R298	ORH1000D622	100 OHM 1 / 10 W 2012 5.00%
		R299	ORH1000D622	100 OHM 1 / 10 W 2012 5.00%
		R3	ORH0000D622	0 OHM 1 / 10 W 2012 5.00% D

DATE: 2005. 09. 21.				
*S	*AL	LOC. NO.	PART NO.	DESCRIPTION / SPECIFICATION
		R302	0RH1001D622	1K OHM 1 / 10 W 2012 5.00%
		R303	0RH1501D622	1.5K OHM 1 / 10 W 2012 5.00
		R305	0RH4703D622	470K OHM 1 / 10 W 2012 5.00
		R310	0RH1000D622	100 OHM 1 / 10 W 2012 5.00%
		R311	0RH1000D622	100 OHM 1 / 10 W 2012 5.00%
		R312	0RH2200D622	220 OHM 1 / 10 W 2012 5.00%
		R313	0RH2200D622	220 OHM 1 / 10 W 2012 5.00%
		R314	0RH2200D622	220 OHM 1 / 10 W 2012 5.00%
		R315	0RH1501D622	1.5K OHM 1 / 10 W 2012 5.00
		R316	0RH2200D622	220 OHM 1 / 10 W 2012 5.00%
		R318	0RH1000D622	100 OHM 1 / 10 W 2012 5.00%
		R327	0RH4701D622	4.7K OHM 1 / 10 W 2012 5.00
		R328	0RH1001D622	1K OHM 1 / 10 W 2012 5.00%
		R332	0RH1001D622	1K OHM 1 / 10 W 2012 5.00%
		R335	0RH0000D622	0 OHM 1 / 10 W 2012 5.00% D
		R336	0RH2200D622	220 OHM 1 / 10 W 2012 5.00%
		R337	0RH2200D622	220 OHM 1 / 10 W 2012 5.00%
		R340	0RH0000D622	0 OHM 1 / 10 W 2012 5.00% D
		R344	0RH1000D622	100 OHM 1 / 10 W 2012 5.00%
		R345	0RH2200D622	220 OHM 1 / 10 W 2012 5.00%
		R347	0RH0000D622	0 OHM 1 / 10 W 2012 5.00% D
		R357	0RH0000D622	0 OHM 1 / 10 W 2012 5.00% D
		R368	0RH0000D622	0 OHM 1 / 10 W 2012 5.00% D
		R369	0RH1000D622	100 OHM 1 / 10 W 2012 5.00%
		R370	0RH1000D622	100 OHM 1 / 10 W 2012 5.00%
		R373	0RH0000D622	0 OHM 1 / 10 W 2012 5.00% D
		R374	0RH0000D622	0 OHM 1 / 10 W 2012 5.00% D
		R375	0RH2200D622	220 OHM 1 / 10 W 2012 5.00%
		R377	0RH0000D622	0 OHM 1 / 10 W 2012 5.00% D
		R378	0RH2702D622	27K OHM 1 / 10 W 2012 5.00%
		R4	0RH0000D622	0 OHM 1 / 10 W 2012 5.00% D
		R401	0RH4700D622	470 OHM 1 / 10 W 2012 5.00%
		R403	0RH4700D622	470 OHM 1 / 10 W 2012 5.00%
		R406	0RH4700D622	470 OHM 1 / 10 W 2012 5.00%
		R407	0RH4700D622	470 OHM 1 / 10 W 2012 5.00%
		R410	0RH4700D622	470 OHM 1 / 10 W 2012 5.00%
		R416	0RH4700D622	470 OHM 1 / 10 W 2012 5.00%
		R417	0RH4700D622	470 OHM 1 / 10 W 2012 5.00%
		R418	0RH1000D622	100 OHM 1 / 10 W 2012 5.00%
		R419	0RH1000D622	100 OHM 1 / 10 W 2012 5.00%
		R420	0RH4700D622	470 OHM 1 / 10 W 2012 5.00%
		R423	0RH4700D622	470 OHM 1 / 10 W 2012 5.00%
		R425	0RH4700D622	470 OHM 1 / 10 W 2012 5.00%
		R426	0RH4700D622	470 OHM 1 / 10 W 2012 5.00%
		R427	0RH4700D622	470 OHM 1 / 10 W 2012 5.00%
		R429	0RH1000D622	100 OHM 1 / 10 W 2012 5.00%
		R433	0RH1000D622	100 OHM 1 / 10 W 2012 5.00%
		R434	0RH1201D622	1.2K OHM 1 / 10 W 2012 5.00
		R435	0RH1000D622	100 OHM 1 / 10 W 2012 5.00%
		R436	0RH1201D622	1.2K OHM 1 / 10 W 2012 5.00
		R437	0RH1000D622	100 OHM 1 / 10 W 2012 5.00%
		R438	0RH1001D622	1K OHM 1 / 10 W 2012 5.00%
		R439	0RH1201D622	1.2K OHM 1 / 10 W 2012 5.00
		R440	0RH1001D622	1K OHM 1 / 10 W 2012 5.00%
		R441	0RH1201D622	1.2K OHM 1 / 10 W 2012 5.00
		R442	0RH1201D622	1.2K OHM 1 / 10 W 2012 5.00
		R443	0RH1201D622	1.2K OHM 1 / 10 W 2012 5.00
		R445	0RH1000D622	100 OHM 1 / 10 W 2012 5.00%
		R446	0RH1000D622	100 OHM 1 / 10 W 2012 5.00%
		R450	0RH1000D622	100 OHM 1 / 10 W 2012 5.00%
		R451	0RH1000D622	100 OHM 1 / 10 W 2012 5.00%
		R456	0RH1000D622	100 OHM 1 / 10 W 2012 5.00%

DATE: 2005. 09. 21.				
*S	*AL	LOC. NO.	PART NO.	DESCRIPTION / SPECIFICATION
		R457	0RH2200D622	220 OHM 1 / 10 W 2012 5.00%
		R458	0RH0000D622	0 OHM 1 / 10 W 2012 5.00% D
		R460	0RH5600D622	560 OHM 1 / 10 W 2012 5.00%
		R461	0RH0472D622	47 OHM 1 / 10 W 2012 5.00%
		R463	0RH3901D622	3.9K OHM 1 / 10 W 2012 5.00
		R464	0RH0000D622	0 OHM 1 / 10 W 2012 5.00% D
		R465	0RH0000D622	0 OHM 1 / 10 W 2012 5.00% D
		R5	0RH0000D622	0 OHM 1 / 10 W 2012 5.00% D
		R6	0RH1002D622	10K OHM 1 / 10 W 2012 5.00%
		R606	0RH4701D622	4.7K OHM 1 / 10 W 2012 5.00
		R607	0RH1002D622	10K OHM 1 / 10 W 2012 5.00%
		R608	0RH1002D622	10K OHM 1 / 10 W 2012 5.00%
		R609	0RH1000D622	100 OHM 1 / 10 W 2012 5.00%
		R610	0RH1000D622	100 OHM 1 / 10 W 2012 5.00%
		R619	0RH0222D622	22 OHM 1 / 10 W 2012 5.00%
		R620	0RH0222D622	22 OHM 1 / 10 W 2012 5.00%
		R621	0RH0222D622	22 OHM 1 / 10 W 2012 5.00%
		R622	0RH0752D622	75 OHM 1 / 10 W 2012 5.00%
		R623	0RH0332D622	33 OHM 1 / 10 W 2012 5.00%
		R624	0RH1004D622	1M OHM 1 / 10 W 2012 5.00%
		R625	0RH4701D622	4.7K OHM 1 / 10 W 2012 5.00
		R626	0RH0752D622	75 OHM 1 / 10 W 2012 5.00%
		R627	0RH1000D622	100 OHM 1 / 10 W 2012 5.00%
		R628	0RH0222D622	22 OHM 1 / 10 W 2012 5.00%
		R629	0RH0222D622	22 OHM 1 / 10 W 2012 5.00%
		R630	0RH0222D622	22 OHM 1 / 10 W 2012 5.00%
		R631	0RH0222D622	22 OHM 1 / 10 W 2012 5.00%
		R641	0RH0222D622	22 OHM 1 / 10 W 2012 5.00%
		R642	0RH0752D622	75 OHM 1 / 10 W 2012 5.00%
		R643	0RH0222D622	22 OHM 1 / 10 W 2012 5.00%
		R644	0RH0752D622	75 OHM 1 / 10 W 2012 5.00%
		R645	0RH0222D622	22 OHM 1 / 10 W 2012 5.00%
		R646	0RH0752D622	75 OHM 1 / 10 W 2012 5.00%
		R647	0RH1001D622	1K OHM 1 / 10 W 2012 5.00%
		R648	0RH1001D622	1K OHM 1 / 10 W 2012 5.00%
		R649	0RH1000D622	100 OHM 1 / 10 W 2012 5.00%
		R650	0RH1000D622	100 OHM 1 / 10 W 2012 5.00%
		R652	0RH1002D622	10K OHM 1 / 10 W 2012 5.00%
		R653	0RH0000D622	0 OHM 1 / 10 W 2012 5.00% D
		R654	0RH1000D622	100 OHM 1 / 10 W 2012 5.00%
		R655	0RH1002D622	10K OHM 1 / 10 W 2012 5.00%
		R656	0RH0000D622	0 OHM 1 / 10 W 2012 5.00% D
		R659	0RH0222D622	22 OHM 1 / 10 W 2012 5.00%
		R660	0RH0222D622	22 OHM 1 / 10 W 2012 5.00%
		R661	0RH4701D622	4.7K OHM 1 / 10 W 2012 5.00
		R662	0RH4701D622	4.7K OHM 1 / 10 W 2012 5.00
		R663	0RH0000D622	0 OHM 1 / 10 W 2012 5.00% D
		R7	0RH1001D622	1K OHM 1 / 10 W 2012 5.00%
		R800	0RH0222D622	22 OHM 1 / 10 W 2012 5.00%
		R801	0RH0222D622	22 OHM 1 / 10 W 2012 5.00%
		R803	0RH0222D622	22 OHM 1 / 10 W 2012 5.00%
		R805	0RH0222D622	22 OHM 1 / 10 W 2012 5.00%
		R808	0RH1201D622	1.2K OHM 1 / 10 W 2012 5.00
		R812	0RH0222D622	22 OHM 1 / 10 W 2012 5.00%
		R813	0RH0222D622	22 OHM 1 / 10 W 2012 5.00%
		R815	0RH0222D622	22 OHM 1 / 10 W 2012 5.00%
		R816	0RH0222D622	22 OHM 1 / 10 W 2012 5.00%
		R817	0RH0222D622	22 OHM 1 / 10 W 2012 5.00%
		R818	0RH0222D622	22 OHM 1 / 10 W 2012 5.00%
		R819	0RH0222D622	22 OHM 1 / 10 W 2012 5.00%
		R820	0RH0222D622	22 OHM 1 / 10 W 2012 5.00%
		R821	0RH0222D622	22 OHM 1 / 10 W 2012 5.00%

DATE: 2005. 09. 21.				
*S	*AL	LOC. NO.	PART NO.	DESCRIPTION / SPECIFICATION
		R822	0RH0222D622	22 OHM 1 / 10 W 2012 5.00%
		R823	0RH0222D622	22 OHM 1 / 10 W 2012 5.00%
		R824	0RH0222D622	22 OHM 1 / 10 W 2012 5.00%
		R825	0RH0222D622	22 OHM 1 / 10 W 2012 5.00%
		R826	0RH0222D622	22 OHM 1 / 10 W 2012 5.00%
		R827	0RH0222D622	22 OHM 1 / 10 W 2012 5.00%
		R830	0RH0222D622	22 OHM 1 / 10 W 2012 5.00%
		R831	0RH0222D622	22 OHM 1 / 10 W 2012 5.00%
		R832	0RH0222D622	22 OHM 1 / 10 W 2012 5.00%
		R833	0RH0222D622	22 OHM 1 / 10 W 2012 5.00%
		R834	0RH0222D622	22 OHM 1 / 10 W 2012 5.00%
		R835	0RH0222D622	22 OHM 1 / 10 W 2012 5.00%
		R836	0RH0222D622	22 OHM 1 / 10 W 2012 5.00%
		R837	0RH0222D622	22 OHM 1 / 10 W 2012 5.00%
		R838	0RH0222D622	22 OHM 1 / 10 W 2012 5.00%
		R839	0RH0222D622	22 OHM 1 / 10 W 2012 5.00%
		R840	0RH0222D622	22 OHM 1 / 10 W 2012 5.00%
		R841	0RH0222D622	22 OHM 1 / 10 W 2012 5.00%
		R842	0RH4701D622	4.7K OHM 1 / 10 W 2012 5.00
		R843	0RH4701D622	4.7K OHM 1 / 10 W 2012 5.00
		R846	0RH0222D622	22 OHM 1 / 10 W 2012 5.00%
		R849	0RH0222D622	22 OHM 1 / 10 W 2012 5.00%
		R850	0RH0222D622	22 OHM 1 / 10 W 2012 5.00%
		R851	0RH0222D622	22 OHM 1 / 10 W 2012 5.00%
		R852	0RH0222D622	22 OHM 1 / 10 W 2012 5.00%
		R861	0RH0222D622	22 OHM 1 / 10 W 2012 5.00%
		R863	0RH2702D622	27K OHM 1 / 10 W 2012 5.00%
		R864	0RH0222D622	22 OHM 1 / 10 W 2012 5.00%
		R868	0RH0000D622	0 OHM 1 / 10 W 2012 5.00% D-RT-37LZ55
		R869	0RH0000D622	0 OHM 1 / 10 W 2012 5.00% D-RT-37LZ55
		R870	0RH0000D622	0 OHM 1 / 10 W 2012 5.00% D-RT-37LZ55
		R888	0RH0332D622	33 OHM 1 / 10 W 2012 5.00%
		R889	0RH0332D622	33 OHM 1 / 10 W 2012 5.00%
		R892	0RH0332D622	33 OHM 1 / 10 W 2012 5.00%
		R893	0RH0332D622	33 OHM 1 / 10 W 2012 5.00%
		R900	0RH0222D622	22 OHM 1 / 10 W 2012 5.00%
		R901	0RH0000D622	0 OHM 1 / 10 W 2012 5.00% D
		R902	0RH0000D622	0 OHM 1 / 10 W 2012 5.00% D
		R914	0RH0222D622	22 OHM 1 / 10 W 2012 5.00%
		R915	0RH0000D622	0 OHM 1 / 10 W 2012 5.00% D
		R929	0RH1002D622	10K OHM 1 / 10 W 2012 5.00%
		R930	0RH1002D622	10K OHM 1 / 10 W 2012 5.00%
		R932	0RH1002D622	10K OHM 1 / 10 W 2012 5.00%
		R933	0RH1002D622	10K OHM 1 / 10 W 2012 5.00%
		R934	0RH1002D622	10K OHM 1 / 10 W 2012 5.00%
		R935	0RH0222D622	22 OHM 1 / 10 W 2012 5.00%
		R938	0RH0222D622	22 OHM 1 / 10 W 2012 5.00%
		R939	0RH0222D622	22 OHM 1 / 10 W 2012 5.00%
		R952	0RH0222D622	22 OHM 1 / 10 W 2012 5.00%
OTHERS				
		LED3	0DL233309AC	SAM2333 TP KWANG GREEN/RED
		X401	166-E02F	CSBLA500KECF09-B0 CSB500F9
		X300	6202VDT002H	SX-1 SUNNY 18.432000MHZ +/-
		X600	6212AB2845A	ABLS-27.000MHZ-16-B-4Y-F-T
		X800	6212AB2015G	HC-49/SM BUBANG 19.6608MHZ
		TU100	6700MF0012C	TAFM-W103P LGIT MULTI FS PH
KEY BOARD				
		SW1201	140-313B	TACT 2LEAD 160G(TA) LG C&D

DATE: 2005. 09. 21.				
*S	*AL	LOC. NO.	PART NO.	DESCRIPTION / SPECIFICATION
			SW1202	140-313B TACT 2LEAD 160G(TA) LG C&D
			SW1203	140-313B TACT 2LEAD 160G(TA) LG C&D
			SW1204	140-313B TACT 2LEAD 160G(TA) LG C&D
			SW1205	140-313B TACT 2LEAD 160G(TA) LG C&D
			SW1206	140-313B TACT 2LEAD 160G(TA) LG C&D
			SW1207	140-313B TACT 2LEAD 160G(TA) LG C&D
			SW1208	140-313B TACT 2LEAD 160G(TA) LG C&D
			R2111	0RH3001D622 3K OHM 1 / 10 W 2012 5.00%
			R2112	0RH3001D622 3K OHM 1 / 10 W 2012 5.00%
			R2113	0RH1502D622 15K OHM 1 / 10 W 2012 5.00%
			R2114	0RH1000D622 100 OHM 1 / 10 W 2012 5.00%
			R2115	0RH1301D622 1.3K OHM 1 / 10 W 2012 5.00
			R2116	0RH5601D622 5.6K OHM 1 / 10 W 2012 5.00
			R2117	0RH1301D622 1.3K OHM 1 / 10 W 2012 5.00
			R2118	0RH1000D622 100 OHM 1 / 10 W 2012 5.00%
			R2119	0RH5601D622 5.6K OHM 1 / 10 W 2012 5.00
			R2120	0RH1502D622 15K OHM 1 / 10 W 2012 5.00%
IR&LOGO BOARD				
		C3104	0CH3104K566	0.1UF 50V 10% X7R 2012 R/TP
		L3102	6210TCE001G	HH-1M3216-501 CERATEC 3216M
		Q3215	0TR387500AA	CHIP 2SC3875S(ALY) BK KEC -
		Q3216	0TR387500AA	CHIP 2SC3875S(ALY) BK KEC -
		Q3217	0TR387500AA	CHIP 2SC3875S(ALY) BK KEC -
		R3137	0RH0000D622	0 OHM 1 / 10 W 2012 5.00% D
		R3138	0RH4701D622	4.7K OHM 1 / 10 W 2012 5.00
		R3139	0RH5600D622	560 OHM 1 / 10 W 2012 5.00%
		R3140	0RH1001D622	1K OHM 1 / 10 W 2012 5.00%
		R3141	0RH1001D622	1K OHM 1 / 10 W 2012 5.00%
		R3145	0RH5600D622	560 OHM 1 / 10 W 2012 5.00%
		C3106	0CE1063F618	"10UF SRE,SE 16V 20% FL TP 5"
		LED1	0DL200000CA	SAM5670(DL-2LRG) BK Y-GREEN
		PA1	6726TV0001A	TSOP4838SO1 VISHAY 38.0KHZ
SIDE BOARD				
		C3103	0CH6102K406	1000PF 50V 5% SL 2012 R/TP
		C3104	0CH6102K406	1000PF 50V 5% SL 2012 R/TP
		L3108	6210TCE001A	HB-1S2012-080JT CERATEC 201
		L3109	6210TCE001A	HB-1S2012-080JT CERATEC 201
		R3100	0RH0000D622	0 OHM 1 / 10 W 2012 5.00% D
		R3101	0RH4703D622	470K OHM 1 / 10 W 2012 5.00
		R3102	0RH4703D622	470K OHM 1 / 10 W 2012 5.00
		R3103	0RH0000D622	0 OHM 1 / 10 W 2012 5.00% D
		R3104	0RH0000D622	0 OHM 1 / 10 W 2012 5.00% D
		R3111	0RH0752D622	75 OHM 1 / 10 W 2012 5.00%
		R3113	0RH0752D622	75 OHM 1 / 10 W 2012 5.00%
		R3115	0RH0752D622	75 OHM 1 / 10 W 2012 5.00%
		R3117	0RH4703D622	470K OHM 1 / 10 W 2012 5.00
		R3119	0RH4703D622	470K OHM 1 / 10 W 2012 5.00
		R3123	0RH0000D622	0 OHM 1 / 10 W 2012 5.00% D
		R3124	0RH0000D622	0 OHM 1 / 10 W 2012 5.00% D
		R3160	0RH1001D622	1K OHM 1 / 10 W 2012 5.00%
		ZD3100	0DZ510009EE	UDZ S 5.1B TP ROHM-K SOD323
		ZD3101	0DZ510009EE	UDZ S 5.1B TP ROHM-K SOD323
		ZD3105	0DZ510009EE	UDZ S 5.1B TP ROHM-K SOD323
		ZD3106	0DZ510009EE	UDZ S 5.1B TP ROHM-K SOD323
		ZD3107	0DZ510009EE	UDZ S 5.1B TP ROHM-K SOD323