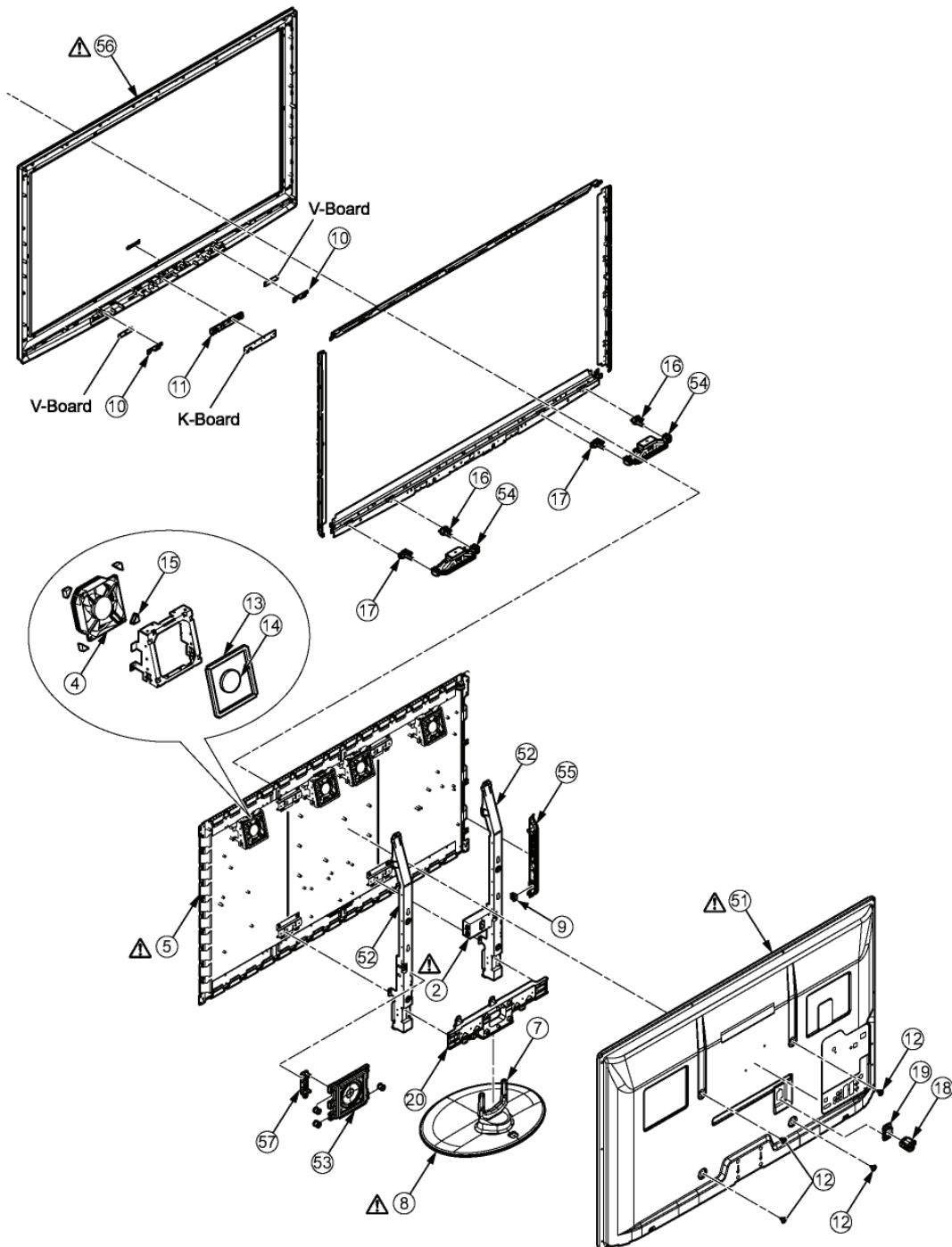
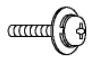





15 Exploded View and Replacement Parts List

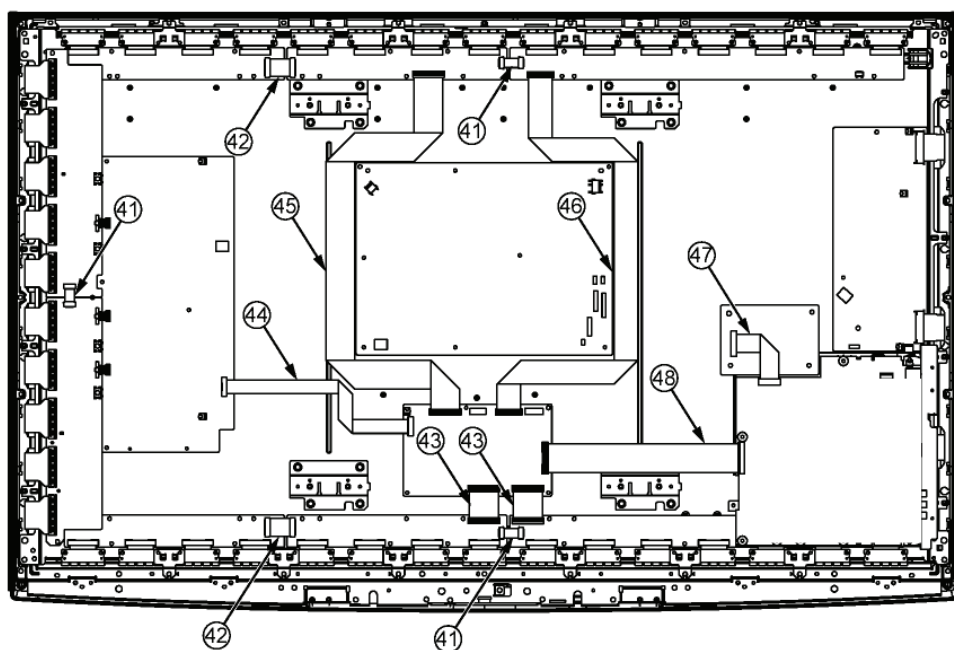
15.1. Exploded View and Mechanical Replacement Parts List

15.1.1. Exploded View 1

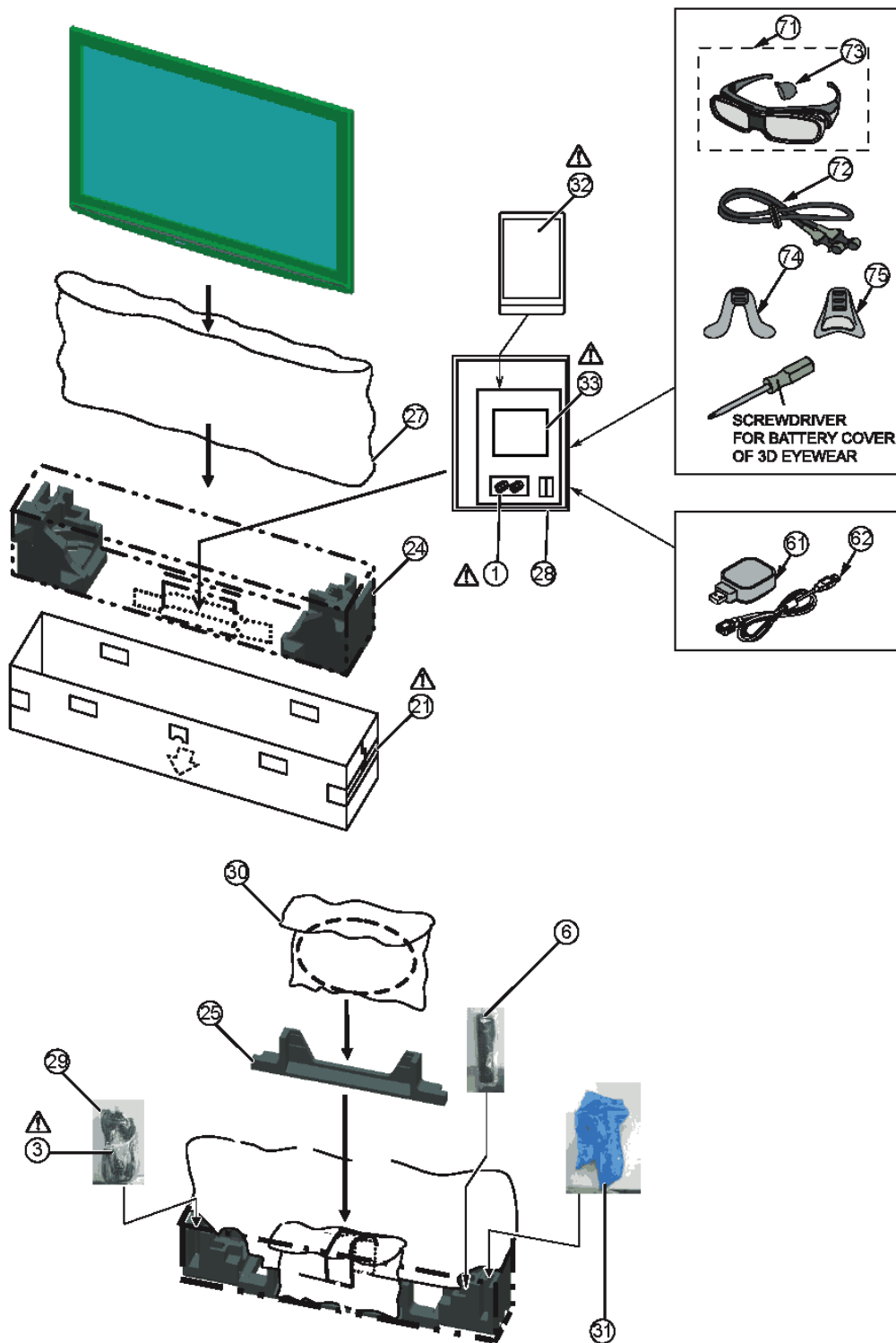


② Assembly screw (3) (silver)  M5 × 18	④ Assembly screw (4) (black)  M5 × 30	⑦ Pole 	⚠ ⑧ Base 
--	---	--	--

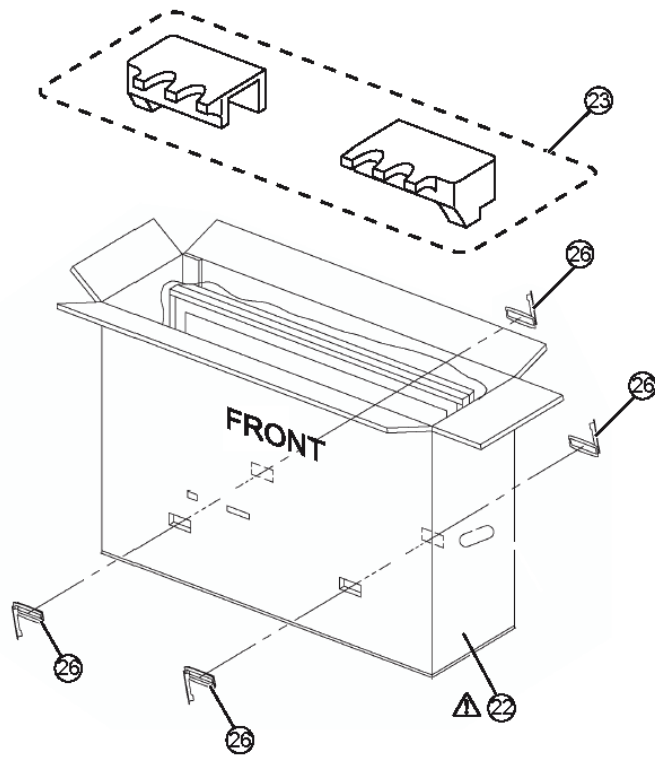
15.1.2. Exploded View 2



15.1.3. Packing 1










15.1.4. Packing 2






15.1.5. Mechanical Replacement Parts List

Note: All parts except parts mentioned [PAVCCZ] in the Remarks column are supplied by AVC-CSPC.
Parts mentioned [PAVCCZ] are supplied by PAVCCZ.

Safety	Ref. No.	Part No.	Part Name & Description	Q'ty	Remarks
	1	J0KG00000146	FERRITE CORE PACK	1	
	2	K2AHYH000033	AC INLET WITH CABLE	1	PAVCCZ
	3	K2CN3YY00006	AC CORD	1	PAVCCZ E
	3	K2CT3YY00021	AC CORD	1	PAVCCZ L
	4	L6FAYYYH0095	FAN(80MM-T25)	4	
	5	MD50F13A5J	PLASMA DISPLAY PANEL	1	
	6	N2QAYB000489	REMOTE CONTROL	1	PAVCCZ
	7	TBLA3834	STAND POLE	1	
	8	TBLX0155	PEDESTAL STAND(ROUND DARK_BROWN)	1	PAVCCZ
	9	TBX3EA00401	POWER BUTTON	1	
	10	TESA341	EMITTER FIXING SPRING	2	PAVCCZ
		THEC127N	SCREW(WOOFER)	2	
		THEJ0339	SCREW(TU:1 SIDE_COVER:4 2ND-TU:1 LAN:1)	7	
		THEL049	SCREW(WOOFER_SP)	2	
		THEL052Z	SCREW (BC TOP:4)	4	
	81	THEL079N	SCREW (M5x30)	4	
		THTA058N	SCREW	2	PAVCCZ
		THTD020J	SCREW (A-PRINT:4)	5	
		THTF011N	SCREW	8	
		THTF011N	SCREW	18	
		THTF011N	SCREW	26	
	11	TKKC5395	LED PANEL	1	
	12	TKKL5493	M8 CAP	4	
	13	TMKG667	SPONGE (FAN)	4	
	14	TMKG896	SPONGE (FAN CENTER)	4	
		TMM23417	CLAMPER	2	
		TMME224	CLAMPER	3	
		TMME224	CLAMPER	2	
		TMME289	CLAMPER	1	
		TMME291	EDGE SADDLE	3	
		TMME291	EDGE SADDLE	1	
		TMME292	CLAMPER	3	
		TMME331	CLAMPER (P:1)	1	
		TMME332	CLAMPER (HANGER:3 FAN:3)	6	
		TMME332	CLAMPER (SS:1)	1	
		TMME366	CLAMPER (AL:1)	1	
	15	TMMJ082	SPONGE (FAN CORNER)	16	
	16	TMW3EX002	SP BRACKET L	2	
	17	TMW3EX003	SP BRACKET R	2	
	18	TMXX064	AC CORD CLAMPER A	1	
	19	TMXX065	AC CORD CLAMPER B	1	
	20	TMZX5178	ONE LEG BRACKET	1	
	21	TPC0E53901	CARTON BOX BOTTOM	1	PAVCCZ

Safety	Ref. No.	Part No.	Part Name & Description	Q'ty	Remarks
	22	TPCOE68705A	CARTON TOP	1	PAVCCZ
	23	TPD0E1144	TOP CUSHION	1	PAVCCZ
	24	TPD0E2147	BOTTOM CUSHION	1	PAVCCZ
	25	TPD0E2148	PEDESTAL CUSHION	1	PAVCCZ
	26	TPD169487	JOINT	4	
	27	TPE0E4010	PROTECT COVER	1	PAVCCZ
	28	TPE0E9002	ACCESSORIES BAG	1	PAVCCZ
	29	TPE0E9003	BAG FOR AC CORD	1	PAVCCZ
	30	TPEB423	BAG (PEDESTAL STAND)	1	
	31	TPEB450	BAG (STAND POLE)	1	PAVCCZ
		TPG0E9321	PAPER CAP	0.25	PAVCCZ
	32	TQB0E0989A	INSTRUCTION BOOK (GERMAN)	1	PAVCCZ E
	32	TQB0E0989B	INSTRUCTION BOOK (DUTCH)	1	PAVCCZ E
	32	TQB0E0989C	INSTRUCTION BOOK (ITALIAN)	1	PAVCCZ E
	32	TQB0E0989D	INSTRUCTION BOOK (FRENCH)	1	PAVCCZ E
	32	TQB0E0989E	INSTRUCTION BOOK (SPANISH)	1	PAVCCZ E
	32	TQB0E0989F	INSTRUCTION BOOK (SWEDISH)	1	PAVCCZ E
	32	TQB0E0989G	INSTRUCTION BOOK (NORWEGIAN)	1	PAVCCZ E
	32	TQB0E0989H	INSTRUCTION BOOK (FINNISH)	1	PAVCCZ E
	32	TQB0E0989I	INSTRUCTION BOOK (LITHUANIAN)	1	PAVCCZ E
	32	TQB0E0989J	INSTRUCTION BOOK (PORTUGUESE)	1	PAVCCZ E
	32	TQB0E0989K	INSTRUCTION BOOK (DANISH)	1	PAVCCZ E
	32	TQB0E0989M	INSTRUCTION BOOK (BULGARIAN)	1	PAVCCZ E
	32	TQB0E0989N	INSTRUCTION BOOK (ROMANIAN)	1	PAVCCZ E
	32	TQB0E0989O	INSTRUCTION BOOK (LATVIAN)	1	PAVCCZ E
	32	TQB0E0989P	INSTRUCTION BOOK (POLISH)	1	PAVCCZ E
	32	TQB0E0989Q	INSTRUCTION BOOK (HUNGARIAN)	1	PAVCCZ E
	32	TQB0E0989R	INSTRUCTION BOOK (CZECH)	1	PAVCCZ E
	32	TQB0E0989S	INSTRUCTION BOOK (GREEK)	1	PAVCCZ E
	32	TQB0E0989T	INSTRUCTION BOOK (TURKISH)	1	PAVCCZ E
	32	TQB0E0989U	INSTRUCTION BOOK (ENGLISH)	1	PAVCCZ E
	32	TQB0E0989W	INSTRUCTION BOOK (SLOVAKIAN)	1	PAVCCZ E
	32	TQB0E0989Z	INSTRUCTION BOOK (ESTONIAN)	1	PAVCCZ E
	32	TQB0E2031	INSTRUCTION BOOK (ENGLISH)	1	PAVCCZ L
	33	TQB0E0989X	INSTRUCTION BOOK (CD-ROM)	1	PAVCCZ E
		TQZJ207	SCREW USE HANDBILL	1	
	41	TSXL519	CABLE (C26-C36/C56-C66/SU11-SD11)	3	
	42	TSXL724	CABLE (C10-C20/C40-C50)	2	
	43	TSXL736	CABLE (D31-C21/D32-C31)	2	
	44	TSXM089	CABLE (SC20-D20)	1	
	45	TSXM090-1	CABLE (D34-C51)	1	
	46	TSXM091-1	CABLE (D33-C61)	1	
	47	TSXM099	CABLE (XS3-A88A)	1	PAVCCZ

Safety	Ref. No.	Part No.	Part Name & Description	Q'ty	Remarks
	48	TSXM101-2	CABLE (D5-A31)	1	PAVCCZ
	51	TTU0E0761	REAR COVER	1	PAVCCZ E
	51	TTU0E0832	REAR COVER	1	PAVCCZ L
	52	TUXA360	50HANGER METAL	2	
	53	TXFEA01LBUE	SPEAKER WOOFER ASSY	1	PAVCCZ
	54	TXFEA01LWUE	SPEAKER ASSY	2	PAVCCZ
	55	TXFKP01LBUE	SIDE TERMINAL COVER ASSY	1	PAVCCZ
	56	TXFKY01LBUEA	CABINET ASSY	1	PAVCCZ
	57	TXFMW01LVUE	WOOFER BRACKET ASSY	1	PAVCCZ
		TXJA11LBUE	SPEAKER LEAD (A11-SPL/SPR)	1	PAVCCZ
		TXJA12LBUE	SPEAKER LEAD (A12-WOOFER)	1	PAVCCZ
		XSB3+6FJ	SCREW (HDMI:3)	1	
		XSB3+6FJ	SCREW (HDMI:3)	3	
		XSB4+8FNK	SCREW M4x8 Black	2	
		XTB4+12GFJ	SCREW (GH:20 PW:2 LED:1)	17	
		XTB4+12GFJ	SCREW (GH:20 PW:2 LED:1)	18	
		XTB4+12GFJK	SCREW (BC:11)	10	
		XTS4+10GFN	COUNTERSUNK SCREW ST4x10 Silver	11	PAVCCZ
		XTV3+10JFJK	SCREW (REAR AV:2)	2	
		XTV3+6GFJ	SCREW	6	
		XTV3+8JFJ	SCREW	1	
		XTV3+8JFJ	SCREW	1	
		XTW4+25DFJ	SCREW	18	
		XTWT4+Z15DFJ	SCREW (SP BOX)	1	
		XYN3+F10FJK	SCREW (BC-AC_INLET:2)	2	
		XYN3+J10FJ	SCREW	29	
		XYN4+E6FJ	SCREW (INLET:1)	1	
	82	XYN5+F18FN	SCREW M5x18 Silver	3	
		XYN5+F18FN	SCREW (M5x18)	3	
		XZB6X12B03	POLY BAG (SCREW)	1	
		XZBT6506	POLY BAG (INSTRUCTION BOOK)	1	
	61	C5ZZZ0000049	Wi-LAN MODULE (DONGLE)	1	PAVCSK
	62	K2KYYYY00064	USB CABLE	1	PAVCSK
	71	CL-1G1-070A	3D EYEWEAR	1	WITHOUT BATTERY
	72	BK103839	BAND	1	(3D EYEWEAR)
	73	LB103805	BATTERY COVER	1	(3D EYEWEAR)
	74	NPA103821	NOSE PAD A	1	(3D EYEWEAR)
	75	NPB103834	NOSE PAD B	1	(3D EYEWEAR)
		TPE0E9006	BAG FOR 3D EYEWEAR	1	PAVCCZ

15.2. Electrical Replacement Parts List

15.2.1. Replacement Parts List Notes

RTL (Retention Time Limited)

Note: The marking (RTL) indicates that the Retention Time is Limited for this item. After the discontinuation of this assembly in production, the item will continue to be available for a specific period of time. The retention period of availability is dependant on the type of assembly, and in accordance with the laws governing part and product retention. After the end of this period, the assembly will no longer be available.

Abbreviation of part name and description

1. Resistor

Example:

ERD25TJ104 C 100KOHM, J, 1/4W
 Type Allowance

2. Capacitor

Example:

ECKF1H103ZF C 0.01UF, Z, 50V
 Type Allowance

Type	Allowance
C : Carbon	F : ±1%
F : Fuse	G : ±2%
M : Metal Oxide Metal Film	J : ±5%
S : Solid	K : ±10%
W : Wire Wound	M : ±20%

Type	Allowance
C : Ceramic	C : ±0.25pF
E : Electrolytic	D : ±0.5pF
P : Polyester	F : ±1pF
Polyprop	G : ±3pF
lene	J : ±5pF
T : Tantalum	K : ±10pF
	L : ±15pF
	M : ±20pF
	P : +100%, -0%
	Z : +80%, -20%

15.2.2. Electrical Replacement Parts List

Note: All parts except parts mentioned [PAVCCZ] in the Remarks column are supplied by AVC-CSPC.
Parts mentioned [PAVCCZ] are supplied by PAVCCZ.

Safety	Ref. No.	Part No.	Part Name & Description	Pcs	Remarks
△	PCB	ETX2MM806MVH	CIRCUIT BOARD P	1	(RTL) PA VCCZ
△	PCB	A-P50VT20E	CIRCUIT BOARD A	1	(RTL) PA VCCZ E
△	PCB	A-P50VT20L	CIRCUIT BOARD A	1	(RTL) PA VCCZ L
△	PCB	TXNXS1LBUE	CIRCUIT BOARD XS	1	(RTL) PA VCCZ
△	PCB	TZTNP01LBUE	CIRCUIT BOARD D	1	(RTL) PA VCCZ
△	PCB	TXN/K1LBUE	CIRCUIT BOARD K	1	(RTL) PA VCCZ
△	PCB	TXN/V1LBUE	CIRCUIT BOARD V	2	(RTL) PA VCCZ
△	PCB	TNPA5099	CIRCUIT BOARD C1	1	(RTL)
△	PCB	TNPA5100	CIRCUIT BOARD C2	1	(RTL)
△	PCB	TNPA5137	CIRCUIT BOARD C3	1	(RTL)
△	PCB	TNPA5151	CIRCUIT BOARD C4	1	(RTL)
△	PCB	TNPA5152	CIRCUIT BOARD C5	1	(RTL)
△	PCB	TNPA5153	CIRCUIT BOARD C6	1	(RTL)
△	PCB	TXNSC11VEK	CIRCUIT BOARD SC	1	(RTL) PA VCCZ
△	PCB	TNPA5091AB	CIRCUIT BOARD SD	1	
△	PCB	TXNSS11VEK	CIRCUIT BOARD SS	1	(RTL) PA VCCZ
△	PCB	TNPA4804	CIRCUIT BOARD SS2	1	(RTL)
△	PCB	TNPA5090AB	CIRCUIT BOARD SU	1	
	A1	K1KA11B00092	11P CONNECTOR	1	
	A3	K1KY15AA0719	15P CONNECTOR	1	PAVCCZ
	A6	K1KA11BA0107	11P CONNECTOR	1	PAVCCZ
	A7	K1KY14AA0719	14P CONNECTOR	1	PAVCCZ
	A8	K1KY12AA0719	12P CONNECTOR	1	
	A11	K1KA04AA0728	4P CONNECTOR	1	
	A12	K1KA02AA0728	2P CONNECTOR	1	
	A20	K1KY09AA0719	9P CONNECTOR	1	
	A31	K1MY68BA0345	68P CONNECTOR	1	
	A88A	K1KY30AA0369	30P CONNECTOR	1	
	C1009	FIG1C104A116	C 0.10UF, K, 16V	1	
	C1010	FIJ1E105A231	C 1 UF 25V	1	
	C1102	FIJ1A106A087	C 0.010UF, K, 10V	1	
	C1103	FIG1C104A116	C 0.10UF, K, 16V	1	
	C1104	FIG1C104A116	C 0.10UF, K, 16V	1	
	C1106	FIH1H270A971	C 27UF, 50V	1	
	C1107	FIG1H220A731	C 22UF, 50V	1	
	C1108	FIG1C104A116	C 0.10UF, K, 16V	1	
	C1109	ECJ1VB1A105K	C 0.01UF, Z, 10V	1	
	C1111	ECJ1VB1A105K	C 0.01UF, Z, 10V	1	
	C1112	FIG1C104A116	C 0.10UF, K, 16V	1	
	C1114	FIG1C104A116	C 0.10UF, K, 16V	1	
	C1117	FIG1C104A116	C 0.10UF, K, 16V	1	
	C1122	FIG1E103A123	C 0.010UF, K, 25V	1	
	C1123	ECJ1VB1A105K	C 0.01UF, Z, 10V	1	
	C2055	FIJ1A106A087	C 0.010UF, K, 10V	1	
	C2057	FIJ1A106A087	C 0.010UF, K, 10V	1	
	C2067	FIG1C103A116	C 0.010UF, K, 16V	1	

Safety	Ref. No.	Part No.	Part Name & Description	Pcs	Remarks
	C2068	FIG1C103A116	C 0.010UF, K, 16V	1	
	C2069	FIG1C103A116	C 0.010UF, K, 16V	1	
	C2070	FIG1C103A116	C 0.010UF, K, 16V	1	
	C2071	EEHBOJ101UR	C 100PF, J, 6.3V	1	
	C2072	EEHBOJ101UR	C 100PF, J, 6.3V	1	
	C2073	FIG1E333A091	C 0.033UF, K, 25V	1	
	C2074	FIG1E333A091	C 0.033UF, K, 25V	1	
	C2075	FIG1C104A116	C 0.10UF, K, 16V	1	
	C2076	FIG1C104A116	C 0.10UF, K, 16V	1	
	C2077	FIG1C104A116	C 0.10UF, K, 16V	1	
	C2078	FIG1A105A047	C 1UF, K, 10V	1	
	C2079	FIG1C103A116	C 0.010UF, K, 16V	1	
	C2104	FIG1H100A731	C 10PF, K, 50V	1	
	C2107	FIG1A105A047	C 1UF, K, 10V	1	
	C2108	FIG1A105A047	C 1UF, K, 10V	1	
	C2110	FIG1C104A116	C 0.10UF, K, 16V	1	
	C2301	FIG1C104A116	C 0.10UF, K, 16V	1	
	C2302	FIG1C104A116	C 0.10UF, K, 16V	1	
	C2303	FK1E106A136	C 10UF, Z, 25V	1	
	C2304	FIJ1E105A231	C 1 UF 25V	1	
	C2305	FIG1H102A730	C 1000UF, 50V	1	
	C2306	FIJ1E105A231	C 1 UF 25V	1	
	C2307	FIJ1E105A231	C 1 UF 25V	1	
	C2308	FIJ1E105A231	C 1 UF 25V	1	
	C2311	FK1E106A136	C 10UF, Z, 25V	1	
	C2313	FIG1H102A730	C 1000UF, 50V	1	
	C2314	FIJ1E105A231	C 1 UF 25V	1	
	C2315	FK1E106A136	C 10UF, Z, 25V	1	
	C2316	FIH1H104A970	C 0.1UF, K, 50V	1	
	C2317	FIJ1E105A231	C 1 UF 25V	1	
	C2318	FIH1H104A970	C 0.1UF, K, 50V	1	
	C2319	FK1E106A136	C 10UF, Z, 25V	1	
	C2320	FIJ1E105A231	C 1 UF 25V	1	
	C2321	FIH1H104A970	C 0.1UF, K, 50V	1	
	C2322	FK1E106A136	C 10UF, Z, 25V	1	
	C2323	FIH1H104A970	C 0.1UF, K, 50V	1	
	C2324	FIJ1E105A231	C 1 UF 25V	1	
	C2325	FIG1H102A730	C 1000UF, 50V	1	
	C2334	FIJ1H474A757	C 0.47UF, 50V	1	
	C2335	FIH1E104A129	C 0.1UF, 25V	1	
	C2336	FIH1E104A129	C 0.1UF, 25V	1	
	C2337	FIJ1H474A757	C 0.47UF, 50V	1	
	C2338	FIH1E104A129	C 0.1UF, 25V	1	
	C2339	FIH1E104A129	C 0.1UF, 25V	1	
	C2340	FIH1H223A970	C 0.22UF, K, 50V	1	
	C2341	FIH1H223A970	C 0.22UF, K, 50V	1	
	C2342	FIH1H223A970	C 0.22UF, K, 50V	1	
	C2343	FIH1H223A970	C 0.22UF, K, 50V	1	
	C2344	FIH1H223A970	C 0.22UF, K, 50V	1	
	C2345	FIH1H223A970	C 0.22UF, K, 50V	1	
	C2346	FIH1H223A970	C 0.22UF, K, 50V	1	
	C2347	FIH1H223A970	C 0.22UF, K, 50V	1	
	C2349	FIG1H102A730	C 1000UF, 50V	1	
	C2351	FIG1H102A730	C 1000UF, 50V	1	
	C2353	FIG1H102A730	C 1000UF, 50V	1	
	C2355	FIG1H102A730	C 1000UF, 50V	1	
	C2411	FK1E106A136	C 10UF, Z, 25V	1	
	C2413	FIG1H102A730	C 1000UF, 50V	1	
	C2414	FIJ1E105A231	C 1 UF 25V	1	
	C2415	FK1E106A136	C 10UF, Z, 25V	1	

Safety	Ref. No.	Part No.	Part Name & Description	Pcs	Remarks
	C2416	F1H1H104A970	C 0.1UF, K, 50V	1	
	C2417	F1J1E105A231	C 1 UF 25V	1	
	C2418	F1H1H104A970	C 0.1UF, K, 50V	1	
	C2420	F1J1E105A231	C 1 UF 25V	1	
	C2421	F1H1H104A970	C 0.1UF, K, 50V	1	
	C2423	F1H1H104A970	C 0.1UF, K, 50V	1	
	C2424	F1J1E105A231	C 1 UF 25V	1	
	C2434	F1J1H474A757	C 0.47UF, 50V	1	
	C2435	F1H1E104A129	C 0.1UF, 25V	1	
	C2436	F1H1E104A129	C 0.1UF, 25V	1	
	C2440	F1H1H223A970	C 0.22UF, K, 50V	1	
	C2441	F1H1H223A970	C 0.22UF, K, 50V	1	
	C2442	F1H1H223A970	C 0.22UF, K, 50V	1	
	C2443	F1H1H223A970	C 0.22UF, K, 50V	1	
	C2449	F1G1H102A730	C 1000UF, 50V	1	
	C2451	F1G1H102A730	C 1000UF, 50V	1	
	C2510	F1H1H103A970	C 0.001UF, K, 50V	1	
	C2511	F1J1A106A087	C 0.010UF, K, 10V	1	
	C2515	F1H1H103A970	C 0.001UF, K, 50V	1	
	C2521	F1H1C104A143	C 0.1UF, K, 16V	1	
	C2752	F1G1E103A123	C 0.010UF, K, 25V	1	
	C2753	F1G1A105A047	C 1UF, K, 10V	1	
	C2758	F2H1E470A007	E 47UF, 25V	1	
	C2759	F1J1E105A231	C 1 UF 25V	1	
	C2760	F2G1C100A022	C 10UF J 16V	1	
	C2780	ECJ1VB1A105K	C 0.01UF, Z, 10V	1	
	C2781	F1G1C104A116	C 0.10UF, K, 16V	1	
	C2782	F1G1C104A116	C 0.10UF, K, 16V	1	
	C2783	F1G1C104A116	C 0.10UF, K, 16V	1	
	C2784	F1G1C104A116	C 0.10UF, K, 16V	1	
	C2801	F1K1C106A126	C 10UF, 16V	1	
	C2802	F1H1E104A129	C 0.1UF, 25V	1	
	C2803	F1G1E103A123	C 0.010UF, K, 25V	1	
	C2805	F1H1H472A970	C 4700PF, K, 50V	1	
	C2806	F1H1E104A129	C 0.1UF, 25V	1	
	C2807	F1K1E106A136	C 10UF, Z, 25V	1	
	C2809	F1K1C106A126	C 10UF, 16V	1	
	C2821	F1J1E104A227	C 0.10UF, Z, 25V	1	
	C2905	F2H1A101A009	E 100 UF, 10V	1	PAVCCZ
	C2907	F1G1C104A116	C 0.10UF, K, 16V	1	
	C2908	F1H1C104A143	C 0.1UF, K, 16V	1	
	C2909	F1H1C104A143	C 0.1UF, K, 16V	1	
	C2910	F1H1C104A143	C 0.1UF, K, 16V	1	
	C2911	F1G1C104A116	C 0.10UF, K, 16V	1	
	C2917	F1H1H222A970	C 2200PF, K, 50V	1	
	C2950	ECJ1VB1A105K	C 0.01UF, Z, 10V	1	
	C2951	F1H1A225A051	C 22UF, 50V	1	
	C2959	F1G1C104A116	C 0.10UF, K, 16V	1	
	C2961	ECJ1VB1A105K	C 0.01UF, Z, 10V	1	
	C3002	F1G1H561A730	C 56UF, 50V	1	
	C3003	F1G1H561A730	C 56UF, 50V	1	
	C3004	F1G1H561A730	C 56UF, 50V	1	
	C3005	F1G1H561A730	C 56UF, 50V	1	
	C3007	F1G1H561A730	C 56UF, 50V	1	
	C3008	F1G1H561A730	C 56UF, 50V	1	
	C3009	F1G1H561A730	C 56UF, 50V	1	
	C3010	F1G1H561A730	C 56UF, 50V	1	
	C3011	F1G1H561A730	C 56UF, 50V	1	
	C3012	F1G1H561A730	C 56UF, 50V	1	
	C3013	F1G1H561A730	C 56UF, 50V	1	
	C3014	F1G1H561A730	C 56UF, 50V	1	
	C3018	F1J1A106A087	C 0.010UF, K, 10V	1	
	C3019	F1J1A106A087	C 0.010UF, K, 10V	1	
	C3020	F1J1A106A087	C 0.010UF, K, 10V	1	
	C3021	F1J1A106A087	C 0.010UF, K, 10V	1	
	C3022	ECJ1VB1A105K	C 0.01UF, Z, 10V	1	

Safety	Ref. No.	Part No.	Part Name & Description	Pcs	Remarks
	C3024	ECJ1VB1A105K	C 0.01UF, Z, 10V	1	
	C3025	ECJ1VB1A105K	C 0.01UF, Z, 10V	1	
	C3026	ECJ1VB1A105K	C 0.01UF, Z, 10V	1	
	C3027	F1J1A106A087	C 0.010UF, K, 10V	1	
	C3028	F1J1A106A087	C 0.010UF, K, 10V	1	
	C3029	F1J1A106A087	C 0.010UF, K, 10V	1	
	C3030	F1J1A106A087	C 0.010UF, K, 10V	1	
	C3039	ECJ1VB1A105K	C 0.01UF, Z, 10V	1	
	C3041	ECJ1VB1A105K	C 0.01UF, Z, 10V	1	
	C3043	ECJ1VB1A105K	C 0.01UF, Z, 10V	1	
	C3044	ECJ1VB1A105K	C 0.01UF, Z, 10V	1	
	C3046	ECJ1VB1A105K	C 0.01UF, Z, 10V	1	
	C3047	ECJ1VB1A105K	C 0.01UF, Z, 10V	1	
	C3048	ECJ1VB1A105K	C 0.01UF, Z, 10V	1	
	C3049	ECJ1VB1A105K	C 0.01UF, Z, 10V	1	
	C3064	F1G1H102A730	C 1000UF, 50V	1	
	C3065	F1G1H102A730	C 1000UF, 50V	1	
	C3070	F1J1A106A087	C 0.010UF, K, 10V	1	
	C3071	F1J1A106A087	C 0.010UF, K, 10V	1	
	C3072	F1G1C104A116	C 0.10UF, K, 16V	1	
	C3073	F1J1A106A087	C 0.010UF, K, 10V	1	
	C3078	F1J1A106A087	C 0.010UF, K, 10V	1	
	C3083	F1J1A106A087	C 0.010UF, K, 10V	1	
	C3084	F1J1A106A087	C 0.010UF, K, 10V	1	
	C3085	F1J1A106A087	C 0.010UF, K, 10V	1	
	C3086	F1J1A106A087	C 0.010UF, K, 10V	1	
	C3087	F1J1A106A087	C 0.010UF, K, 10V	1	
	C3088	F1J1A106A087	C 0.010UF, K, 10V	1	
	C3089	F1J1A106A087	C 0.010UF, K, 10V	1	
	C3090	F1J1A106A087	C 0.010UF, K, 10V	1	
	C3091	F1J1A106A087	C 0.010UF, K, 10V	1	
	C3092	F1J1A106A087	C 0.010UF, K, 10V	1	
	C3095	F2H1A101A009	E 100 UF, 10V	1	PAVCCZ
	C3097	F2H1A101A009	E 100 UF, 10V	1	PAVCCZ
	C3099	F1G1H561A730	C 56UF, 50V	1	
	C3102	F2H1A101A009	E 100 UF, 10V	1	PAVCCZ
	C3103	F2H1A101A009	E 100 UF, 10V	1	PAVCCZ
	C3107	F1J1A106A087	C 0.010UF, K, 10V	1	
	C3108	F1J1A106A087	C 0.010UF, K, 10V	1	
	C3109	F1J1A106A087	C 0.010UF, K, 10V	1	
	C3114	F1J1A106A087	C 0.010UF, K, 10V	1	
	C3115	F1J1A106A087	C 0.010UF, K, 10V	1	
	C3116	F1J1A106A087	C 0.010UF, K, 10V	1	
	C3117	F1J1A106A087	C 0.010UF, K, 10V	1	
	C3138	F2H1A101A009	E 100 UF, 10V	1	PAVCCZ
	C3139	F1G1C104A116	C 0.10UF, K, 16V	1	
	C3140	F1G1C104A116	C 0.10UF, K, 16V	1	
	C3141	F1G1C104A116	C 0.10UF, K, 16V	1	
	C3143	F1G1C104A116	C 0.10UF, K, 16V	1	
	C3144	F1J1A106A087	C 0.010UF, K, 10V	1	
	C3145	F1G1C104A116	C 0.10UF, K, 16V	1	

Safety	Ref. No.	Part No.	Part Name & Description	Pcs	Remarks
	C3146	FLJ1A106A087	C 0.010UF, K, 10V	1	
	C3147	FLJ1A106A087	C 0.010UF, K, 10V	1	
	C3257	FIG1H561A730	C 56UF, 50V	1	
	C3752	FIG1H102A836	C 1000PF, 50V	1	
	C4200	FIG1H102A730	C 1000UF, 50V	1	
	C4201	FIG1H105A145	C 0.01UF, K, 16V	1	
	C4212	FIG1E106A136	C 10UF, Z, 25V	1	
	C4213	FIG1E106A136	C 10UF, Z, 25V	1	
	C4215	FIG1E332A123	C 3300UF, Z, 25V	1	
	C4216	FIG1A475A087	C 4.7UF, K, 10V	1	
	C4220	FIG1H104A143	C 0.1UF, K, 16V	1	
	C4233	FIG1K0J226A008	C 22UF, K, 6.3V	1	
	C4234	FIG1K0J226A008	C 22UF, K, 6.3V	1	
	C4235	FIG1H471A730	C 470UF, 50V	1	
	C4236	FIG1A475A087	C 4.7UF, K, 10V	1	
	C4237	ECJ1VB1A105K	C 0.01UF, Z, 10V	1	
	C4238	FIG1J0G2260001	C 0.001UF, 6.3V	1	
	C4240	FIG1A475A087	C 4.7UF, K, 10V	1	
	C4241	FIG1C104A116	C 0.10UF, K, 16V	1	
	C4242	FIG1K0J226A008	C 22UF, K, 6.3V	1	
	C4243	FIG1K0J226A008	C 22UF, K, 6.3V	1	
	C4244	FIG1K0J226A008	C 22UF, K, 6.3V	1	
	C4245	FIG1C104A116	C 0.10UF, K, 16V	1	
	C4246	FIG1J0G2260001	C 0.001UF, 6.3V	1	
	C4247	FIG1J0G2260001	C 0.001UF, 6.3V	1	
	C4248	FIG1H471A730	C 470UF, 50V	1	
	C4249	FIG1C104A116	C 0.10UF, K, 16V	1	
	C4250	FIG1C104A116	C 0.10UF, K, 16V	1	
	C4251	FIG1C104A116	C 0.10UF, K, 16V	1	
	C4252	FIG1H120A971	C 12PF, K, 50V	1	
	C4253	FIG1C104A116	C 0.10UF, K, 16V	1	
	C4254	FIG1C104A116	C 0.10UF, K, 16V	1	
	C4255	FIG1H180A971	C 18PF, K, 50V	1	
	C4256	FIG1A106A087	C 0.010UF, K, 10V	1	
	C4257	FIG1C104A116	C 0.10UF, K, 16V	1	
	C4258	FIG1C104A116	C 0.10UF, K, 16V	1	
	C4259	FIG1C104A116	C 0.10UF, K, 16V	1	
	C4260	FIG1C104A116	C 0.10UF, K, 16V	1	
	C4261	FIG1J0G2260001	C 0.001UF, 6.3V	1	
	C4262	FIG1A475A087	C 4.7UF, K, 10V	1	
	C4263	ECJ1VB0J105K	C 1UF, K, 6.3V	1	
	C4264	FIG1A106A087	C 0.010UF, K, 10V	1	
	C4266	FIG1A475A087	C 4.7UF, K, 10V	1	
	C4267	FIG1C104A116	C 0.10UF, K, 16V	1	
	C4268	FIG1C104A116	C 0.10UF, K, 16V	1	
	C4269	FIG1C104A116	C 0.10UF, K, 16V	1	
	C4270	FIG1C104A116	C 0.10UF, K, 16V	1	
	C4271	FIG1C104A116	C 0.10UF, K, 16V	1	
	C4272	FIG1C104A116	C 0.10UF, K, 16V	1	
	C4273	FIG1C104A116	C 0.10UF, K, 16V	1	
	C4274	FIG1C104A116	C 0.10UF, K, 16V	1	
	C4275	FIG1J0G2260001	C 0.001UF, 6.3V	1	
	C4276	FIG1C104A116	C 0.10UF, K, 16V	1	
	C4277	FIG1C104A116	C 0.10UF, K, 16V	1	
	C4278	FIG1C104A116	C 0.10UF, K, 16V	1	
	C4279	FIG1C104A116	C 0.10UF, K, 16V	1	
	C4280	FIG1C104A116	C 0.10UF, K, 16V	1	
	C4281	FIG1C104A116	C 0.10UF, K, 16V	1	
	C4282	FIG1C104A116	C 0.10UF, K, 16V	1	
	C4283	FIG1C104A116	C 0.10UF, K, 16V	1	
	C4284	FIG1C104A116	C 0.10UF, K, 16V	1	
	C4285	FIG1J0G226A001	C 0.001UF, 6.3V	1	
	C4286	FIG1C104A116	C 0.10UF, K, 16V	1	
	C4287	FIG1C104A116	C 0.10UF, K, 16V	1	
	C4288	FIG1C104A116	C 0.10UF, K, 16V	1	
	C4289	FIG1C104A116	C 0.10UF, K, 16V	1	
	C4290	FIG1C104A116	C 0.10UF, K, 16V	1	
	C4291	FIG1C104A116	C 0.10UF, K, 16V	1	
	C4292	FIG1C104A116	C 0.10UF, K, 16V	1	
	C4293	FIG1C104A116	C 0.10UF, K, 16V	1	

Safety	Ref. No.	Part No.	Part Name & Description	Pcs	Remarks
	C4294	FIG1C104A116	C 0.10UF, K, 16V	1	
	C4295	FIG1C104A116	C 0.10UF, K, 16V	1	
	C4297	FIG1C104A116	C 0.10UF, K, 16V	1	
	C4298	FIG1C104A116	C 0.10UF, K, 16V	1	
	C4299	FIG1C104A116	C 0.10UF, K, 16V	1	
	C4300	FIG1C104A116	C 0.10UF, K, 16V	1	
	C4301	FIG1C104A116	C 0.10UF, K, 16V	1	
	C4302	FIG1C104A116	C 0.10UF, K, 16V	1	
	C4303	FIG1C104A116	C 0.10UF, K, 16V	1	
	C4304	FIG1C104A116	C 0.10UF, K, 16V	1	
	C4305	FIG1C104A116	C 0.10UF, K, 16V	1	
	C4306	FIG1C104A116	C 0.10UF, K, 16V	1	
	C4307	FIG1H101A731	C 100PF, K, 50V	1	
	C4308	FIG1C104A116	C 0.10UF, K, 16V	1	
	C4309	FIG1C104A116	C 0.10UF, K, 16V	1	
	C4311	FIG1E104A129	C 0.1UF, 25V	1	
	C4312	FIG1E103A123	C 0.010UF, K, 25V	1	
	C4313	FIG1H472A970	C 4700PF, K, 50V	1	
	C4314	FIG1E224A227	C 0.22UF, Z, 25V	1	
	C4315	FIG1C104A116	C 0.10UF, K, 16V	1	
	C4316	FIG1E106A136	C 10UF, Z, 25V	1	
	C4317	FIG1C104A116	C 0.10UF, K, 16V	1	
	C4318	FIG1K0J226A008	C 22UF, K, 6.3V	1	
	C4319	ECGRLO680ER	C 68UF, J, 4V	1	
	C4320	FIG1C104A116	C 0.10UF, K, 16V	1	
	C4322	FIG1C104A116	C 0.10UF, K, 16V	1	
	C4323	FIG1C104A116	C 0.10UF, K, 16V	1	
	C4324	FIG1C104A116	C 0.10UF, K, 16V	1	
	C4325	FIG1A106A087	C 0.010UF, K, 10V	1	
	C4330	FIG1C104A116	C 0.10UF, K, 16V	1	
	C4331	FIG1C104A116	C 0.10UF, K, 16V	1	
	C4332	FIG1C104A116	C 0.10UF, K, 16V	1	
	C4333	FIG1C104A116	C 0.10UF, K, 16V	1	
	C4334	FIG1C104A116	C 0.10UF, K, 16V	1	
	C4335	FIG1C104A116	C 0.10UF, K, 16V	1	
	C4336	FIG1C104A116	C 0.10UF, K, 16V	1	
	C4337	FIG1C104A116	C 0.10UF, K, 16V	1	
	C4338	FIG1C104A116	C 0.10UF, K, 16V	1	
	C4339	FIG1C104A116	C 0.10UF, K, 16V	1	
	C4340	FIG1C104A116	C 0.10UF, K, 16V	1	
	C4348	FIG1H101A731	C 100PF, K, 50V	1	
	C4546	ECJ1VB0J105K	C 1UF, K, 6.3V	1	
	C4548	ECJ1VB0J105K	C 1UF, K, 6.3V	1	
	C4660	ECJ1VB0J105K	C 1UF, K, 6.3V	1	
	C4661	ECJ1VB0J105K	C 1UF, K, 6.3V	1	
	C4662	ECJ1VB0J105K	C 1UF, K, 6.3V	1	
	C4663	ECJ1VB0J105K	C 1UF, K, 6.3V	1	
	C4664	ECJ1VB0J105K	C 1UF, K, 6.3V	1	
	C4665	ECJ1VB0J105K	C 1UF, K, 6.3V	1	
	C4666	ECJ1VB0J105K	C 1UF, K, 6.3V	1	
	C4667	ECJ1VB0J105K	C 1UF, K, 6.3V	1	
	C4701	FIG1C104A116	C 0.10UF, K, 16V	1	
	C4702	FIG1C104A116	C 0.10UF, K, 16V	1	
	C4704	FIG1C104A116	C 0.10UF, K, 16V	1	
	C4705	FIG1C104A116	C 0.10UF, K, 16V	1	
	C4707	FIG1C104A116	C 0.10UF, K, 16V	1	
	C4708	FIG1C104A116	C 0.10UF, K, 16V	1	
	C4713	FIG1C104A116	C 0.10UF, K, 16V	1	
	C4715	FIG1C104A116	C 0.10UF, K, 16V	1	
	C4717	FIG1A106A087	C 0.010UF, K, 10V	1	
	C4718	FIG1A475A087	C 4.7UF, K, 10V	1	
	C4719	FIG1C104A116	C 0.10UF, K, 16V	1	
	C4721	FIG1C104A116	C 0.10UF, K, 16V	1	
	C4724	FIG1C104A116	C 0.10UF, K, 16V	1	
	C4730	FIG1C104A116	C 0.10UF, K, 16V	1	
	C4731	FIG1C104A116	C 0.10UF, K, 16V	1	
	C5251	FIG1E105A231	C 1 UF 25V	1	
	C5253	FIG1E105A231	C 1 UF 25V	1	
	C5255	ECJ1VB1A105K	C 0.01UF, Z, 10V	1	
	C5256	ECJ1VB1A105K	C 0.01UF, Z, 10V	1	
	C5293	FIG1E105A231	C 1 UF 25V	1	

Safety	Ref. No.	Part No.	Part Name & Description	Pcs	Remarks
	C5294	F1H1C105A145	C 0.01UF, K, 16V	1	
	C5301	F1G1H102A730	C 1000UF, 50V	1	
	C5310	F1K1E106A136	C 10UF, Z, 25V	1	
	C5311	F1K1E106A136	C 10UF, Z, 25V	1	
	C5312	F1K1E106A136	C 10UF, Z, 25V	1	
	C5313	F1K1E106A136	C 10UF, Z, 25V	1	
	C5314	F1K0J226A008	C 22UF, K, 6.3V	1	
	C5315	F1K0J226A008	C 22UF, K, 6.3V	1	
	C5317	F1H1E104A129	C 0.1UF, 25V	1	
	C5318	F1G1E682A123	C 6800UF, Z, 25V	1	
	C5319	F1G1E103A123	C 0.010UF, K, 25V	1	
	C5431	F1G1C104A116	C 0.10UF, K, 16V	1	
	C5432	F1G1C104A116	C 0.10UF, K, 16V	1	
	C5470	F1G1C103A116	C 0.010UF, K, 16V	1	
	C5471	F1G1A473A053	C 0.47UF, 10V	1	
	C5473	F1G1E103A123	C 0.010UF, K, 25V	1	
	C5474	F1G1C104A116	C 0.10UF, K, 16V	1	
	C5475	F1G1A4740003	C0.047UF, K, 10V	1	
	C5492	F2G1A221A149	E 220UF, 10V	1	
	C5497	ECJ1VB0J105K	C 1UF, K, 6.3V	1	
	C5498	ECJ1VB0J105K	C 1UF, K, 6.3V	1	
	C5500	F1G1E682A123	C 6800UF, Z, 25V	1	
	C5501	F1G1A154A053	C0.015UF, K, 10V	1	
	C5502	F1J1A475A087	C 4.7UF, K, 10V	1	
	C5503	F1H1C105A145	C 0.01UF, K, 16V	1	
	C5504	F1G1E682A123	C 6800UF, Z, 25V	1	
	C5505	F1J1A475A087	C 4.7UF, K, 10V	1	
	C5506	F1H1C105A145	C 0.01UF, K, 16V	1	
	C5507	F1G1A393A053	C0.015UF, K, 10V	1	
	C5508	F1H1C104A143	C 0.1UF, K, 16V	1	
	C5509	F1H1C104A143	C 0.1UF, K, 16V	1	
	C5510	F1H1C104A143	C 0.1UF, K, 16V	1	
	C5511	F1H1C104A143	C 0.1UF, K, 16V	1	
	C5512	F1G1C104A116	C 0.10UF, K, 16V	1	
	C5516	F1K1E106A136	C 10UF, Z, 25V	1	
	C5517	F1K1E106A136	C 10UF, Z, 25V	1	
	C5519	F1K1E106A136	C 10UF, Z, 25V	1	
	C5520	F1K1E106A136	C 10UF, Z, 25V	1	
	C5521	F1K1E106A136	C 10UF, Z, 25V	1	
	C5522	F1K1E106A136	C 10UF, Z, 25V	1	
	C5523	F1K1E106A136	C 10UF, Z, 25V	1	
	C5526	F1K1E106A136	C 10UF, Z, 25V	1	
	C5528	F1K0J226A008	C 22UF, K, 6.3V	1	
	C5529	F1K0J226A008	C 22UF, K, 6.3V	1	
	C5530	F1K0J226A008	C 22UF, K, 6.3V	1	
	C5531	F1K0J226A008	C 22UF, K, 6.3V	1	
	C5532	F1K0J226A008	C 22UF, K, 6.3V	1	
	C5533	F1K0J226A008	C 22UF, K, 6.3V	1	
	C5534	F1K0J226A008	C 22UF, K, 6.3V	1	
	C5535	F1K0J226A008	C 22UF, K, 6.3V	1	
	C5536	F1K0J226A008	C 22UF, K, 6.3V	1	
	C5537	F1K0J226A008	C 22UF, K, 6.3V	1	
	C5538	F1K0J226A008	C 22UF, K, 6.3V	1	
	C5539	F1K0J226A008	C 22UF, K, 6.3V	1	
	C5603	F1G1H102A730	C 1000UF, 50V	1	
	C5615	F1H1A225A051	C 22UF, 50V	1	
	C5616	F1G1E103A123	C 0.010UF, K, 25V	1	
	C5635	F1H1C105A145	C 0.01UF, K, 16V	1	
	C5649	ECJ1VB1A105K	C 0.01UF, Z, 10V	1	
	C5650	F1H1A225A051	C 22UF, 50V	1	
	C5651	F1J1A475A087	C 4.7UF, K, 10V	1	
	C5652	F1H0J475A041	C 4.7UF, K, 16V	1	
	C5719	F1J1A106A087	C 0.010UF, K, 10V	1	
	C5720	F1J1A106A087	C 0.010UF, K, 10V	1	
	C5724	F1H1E104A129	C 0.1UF, 25V	1	
	C5725	F1G1E682A123	C 6800UF, Z, 25V	1	
	C5726	F1G1E103A123	C 0.010UF, K, 25V	1	

Safety	Ref. No.	Part No.	Part Name & Description	Pcs	Remarks
	C5728	F1J1A106A087	C 0.010UF, K, 10V	1	
	C5729	F1J1A106A087	C 0.010UF, K, 10V	1	
	C5800	F1G1C104A116	C 0.10UF, K, 16V	1	
	C5801	F1H1H120A971	C 12PF, K, 50V	1	
	C5802	F1H1H150A971	C 15PF, K, 50V	1	
	C5803	F1G1C104A116	C 0.10UF, K, 16V	1	
	C5890	ECJ1VB1A105K	C 0.01UF, Z, 10V	1	
	C5891	ECJ1VB1A105K	C 0.01UF, Z, 10V	1	
	C5897	F1G1H102A730	C 1000UF, 50V	1	
	C5898	F1G1H102A730	C 1000UF, 50V	1	
	C5899	F1H0J475A041	C 4.7UF, K, 16V	1	
	C5903	F1H1E104A129	C 0.1UF, 25V	1	
	C5904	F1G1E682A123	C 6800UF, Z, 25V	1	
	C5905	F1J0G226A001	C 0.001UF, 6.3V	1	
	C5907	F1G1C104A116	C 0.10UF, K, 16V	1	
	C5908	F1G1C104A116	C 0.10UF, K, 16V	1	
	C5909	F1G1C104A116	C 0.10UF, K, 16V	1	
	C5910	F1G1C104A116	C 0.10UF, K, 16V	1	
	C5911	F1G1C104A116	C 0.10UF, K, 16V	1	
	C5912	F1G1C104A116	C 0.10UF, K, 16V	1	
	C5913	F1G1C104A116	C 0.10UF, K, 16V	1	
	C5914	F1G1C104A116	C 0.10UF, K, 16V	1	
	C5915	F1G1C104A116	C 0.10UF, K, 16V	1	
	C5916	F1G1C104A116	C 0.10UF, K, 16V	1	
	C5917	F1G1C104A116	C 0.10UF, K, 16V	1	
	C5918	F1G1C104A116	C 0.10UF, K, 16V	1	
	C5920	F1G1C104A116	C 0.10UF, K, 16V	1	
	C5922	F1G1C104A116	C 0.10UF, K, 16V	1	
	C5924	F1G1C104A116	C 0.10UF, K, 16V	1	
	C5927	F1G1C104A116	C 0.10UF, K, 16V	1	
	C5928	F1G1C104A116	C 0.10UF, K, 16V	1	
	C5929	F1G1E472A123	C 4200UF, Z, 25V	1	
	C5930	F1G1C104A116	C 0.10UF, K, 16V	1	
	C5931	F1G1C104A116	C 0.10UF, K, 16V	1	
	C5932	F1G1C104A116	C 0.10UF, K, 16V	1	
	C5933	F1K1E106A136	C 10UF, Z, 25V	1	
	C5934	F1G1C104A116	C 0.10UF, K, 16V	1	
	C5935	F1G1C104A116	C 0.10UF, K, 16V	1	
	C5936	F1G1C104A116	C 0.10UF, K, 16V	1	
	C5937	F1K1E106A136	C 10UF, Z, 25V	1	
	C5939	F1G1C104A116	C 0.10UF, K, 16V	1	
	C5940	F1G1C104A116	C 0.10UF, K, 16V	1	
	C5941	F1G1H101A731	C 100PF, K, 50V	1	
	C5942	F1G1C104A116	C 0.10UF, K, 16V	1	
	C5943	F1G1C104A116	C 0.10UF, K, 16V	1	
	C5944	F1G1C104A116	C 0.10UF, K, 16V	1	
	C5945	F1G1C104A116	C 0.10UF, K, 16V	1	
	C5946	F1G1C104A116	C 0.10UF, K, 16V	1	
	C5947	F1G1H102A730	C 1000UF, 50V	1	
	C5948	F1G1C104A116	C 0.10UF, K, 16V	1	
	C5949	F1G1H102A730	C 1000UF, 50V	1	
	C5950	F1G1C104A116	C 0.10UF, K, 16V	1	
	C5951	F1G1C104A116	C 0.10UF, K, 16V	1	
	C5952	F1G1C104A116	C 0.10UF, K, 16V	1	
	C5953	F1G1C104A116	C 0.10UF, K, 16V	1	
	C5954	F1G1C104A116	C 0.10UF, K, 16V	1	
	C5956	F1J1A106A087	C 0.010UF, K, 10V	1	
	C5958	F1G1H201A731	C 200 UF, K, 50V	1	
	C5959	F1K0J226A008	C 22UF, K, 6.3V	1	
	C5961	F1K1E106A136	C 10UF, Z, 25V	1	
	C5962	F1K1E106A136	C 10UF, Z, 25V	1	
	C5963	F1H1H104A970	C 0.1UF, K, 50V	1	
	C5964	F1G1H102A730	C 1000UF, 50V	1	
	C5967	F1G1H102A730	C 1000UF, 50V	1	
	C5969	F1G1H102A730	C 1000UF, 50V	1	
	C5971	F1G1H102A730	C 1000UF, 50V	1	
	C5973	F1G1H102A730	C 1000UF, 50V	1	
	C5974	F1G1H102A730	C 1000UF, 50V	1	
	C5975	F1G1H470A731	C 47UF, 50V	1	
	C5976	F1K1E106A136	C 10UF, Z, 25V	1	
	C5977	F1H1H104A970	C 0.1UF, K, 50V	1	

Safety	Ref. No.	Part No.	Part Name & Description	Pcs	Remarks
	C5978	FIG1H102A730	C 1000UF, 50V	1	
	C5979	FIH1H104A970	C 0.1UF, K, 50V	1	
	C5980	FIH1H104A970	C 0.1UF, K, 50V	1	
	C5982	FIG1H102A730	C 1000UF, 50V	1	
	C5984	FIG1C104A116	C 0.10UF, K, 16V	1	
	C5985	FIK1E106A136	C 10UF, Z, 25V	1	
	C5986	FIG1H102A730	C 1000UF, 50V	1	
	C5987	FIK1E106A136	C 10UF, Z, 25V	1	
	C5988	FIH1H104A970	C 0.1UF, K, 50V	1	
	C5989	FIG1H470A731	C 47UF, 50V	1	
	C5994	FIK1E106A136	C 10UF, Z, 25V	1	
	C5995	FIH1H104A970	C 0.1UF, K, 50V	1	
	C5996	FIH1H104A970	C 0.1UF, K, 50V	1	
	C5997	FIH1H104A970	C 0.1UF, K, 50V	1	
	C5998	FIH1C105A145	C 0.01UF, K, 16V	1	
	C5999	FIH1C105A145	C 0.01UF, K, 16V	1	
	C6000	FIH1C105A145	C 0.01UF, K, 16V	1	
	C6001	FIH1C105A145	C 0.01UF, K, 16V	1	
	C6002	FIK1E106A136	C 10UF, Z, 25V	1	
	C6003	FIH1A474A084	C 0.47UF, 50V	1	
	C6004	FIH1A474A084	C 0.47UF, 50V	1	
	C6006	FIJ1A106A087	C 0.010UF, K, 10V	1	
	C6009	FIJ1A106A087	C 0.010UF, K, 10V	1	
	C6010	FIK1E106A136	C 10UF, Z, 25V	1	
	C6011	FIK1E106A136	C 10UF, Z, 25V	1	
	C6012	FIK1E106A136	C 10UF, Z, 25V	1	
	C6017	F2G1C1010034	E 100PF, J, 16V	1	
	C6018	F2G1C1010034	E 100PF, J, 16V	1	
	C6019	FIG1A2240008	C0.022UF, K, 10V	1	
	C6020	FIG1A2240008	C0.022UF, K, 10V	1	
	C6021	FIH1A474A084	C 0.47UF, 50V	1	
	C6022	FIH1A474A084	C 0.47UF, 50V	1	
	C6700	FIH1A225A051	C 22UF, 50V	1	
	C6701	FIH1E104A129	C 0.1UF, 25V	1	
	C6702	FIH1E104A129	C 0.1UF, 25V	1	
	C6703	EEEB0G221P	C 220PF, J, 4V	1	
	C6704	F2G1E1010028	E 100PF, 25V	1	PAVCCZ
	C6705	FIH1E104A129	C 0.1UF, 25V	1	
	C6706	F2G1V4700028	E 47UF, 35V	1	PAVCCZ
	C6707	FIJ1H474A757	C 0.47UF, 50V	1	
	C6708	FIH0J475A041	C 4.7UF, K, 16V	1	
	C6709	EEEB0G221P	C 220PF, J, 4V	1	
	C6710	F2G1V4700028	E 47UF, 35V	1	PAVCCZ
	C6711	FIH0J475A041	C 4.7UF, K, 16V	1	
	C6712	FIJ1E224A227	C 0.22UF, Z, 25V	1	
	C6713	FIJ1E224A227	C 0.22UF, Z, 25V	1	
	C6714	FIH0J475A041	C 4.7UF, K, 16V	1	
	C6715	FIJ1H474A757	C 0.47UF, 50V	1	
	C6716	FIJ1E224A227	C 0.22UF, Z, 25V	1	
	C6717	FIK1E106A136	C 10UF, Z, 25V	1	
	C6718	FIH1H103A970	C 0.001UF, K, 50V	1	
	C6719	FIH1E104A129	C 0.1UF, 25V	1	
	C6720	FIH1H181A971	C 180UF, K, 50V	1	
	C6721	FIH1A225A051	C 22UF, 50V	1	
	C6722	FIH1A225A051	C 22UF, 50V	1	
	C6723	FIK1E106A136	C 10UF, Z, 25V	1	
	C6724	FIK0J226A008	C 22UF, K, 6.3V	1	
	C6725	FIK1E106A136	C 10UF, Z, 25V	1	
	C6726	FIK0J226A008	C 22UF, K, 6.3V	1	
	C6727	FIH1H103A970	C 0.001UF, K, 50V	1	
	C6728	FIH1E104A129	C 0.1UF, 25V	1	
	C6730	FIH1E153A129	C 0.015UF, K, 25V	1	
	C6731	FIH1H392A970	C 3900PF, K, 50V	1	
	C6732	FIH0J475A041	C 4.7UF, K, 16V	1	
	C6735	FIJ1E105A231	C 1 UF 25V	1	
	C6736	FIH1H102A971	C 1000PF, K, 50V	1	
	C6748	FIH1H822A970	C 8200PF, K, 50V	1	
	C6750	FIH1H102A971	C 1000PF, K, 50V	1	
	C6752	F2G1E1010028	E 100PF, 25V	1	PAVCCZ

Safety	Ref. No.	Part No.	Part Name & Description	Pcs	Remarks
	C6753	F2G1V4700028	E 47UF, 35V	1	PAVCCZ
	C6754	F2G1V4700028	E 47UF, 35V	1	PAVCCZ
	C8000	FIJ1A106A087	C 0.010UF, K, 10V	1	
	C8001	FIJ1A106A087	C 0.010UF, K, 10V	1	
	C8002	ECGRLO680ER	C 68UF, J, 4V	1	
	C8003	FIJ1A106A087	C 0.010UF, K, 10V	1	
	C8004	FIG1C104A116	C 0.10UF, K, 16V	1	
	C8005	FIJ1A106A087	C 0.010UF, K, 10V	1	
	C8006	FIJ1A106A087	C 0.010UF, K, 10V	1	
	C8008	FIJ1A106A087	C 0.010UF, K, 10V	1	
	C8009	FIJ1A106A087	C 0.010UF, K, 10V	1	
	C8010	FIG1C104A116	C 0.10UF, K, 16V	1	
	C8011	FIG1C104A116	C 0.10UF, K, 16V	1	
	C8012	FIG1C104A116	C 0.10UF, K, 16V	1	
	C8013	FIG1C104A116	C 0.10UF, K, 16V	1	
	C8015	FIJ1A106A087	C 0.010UF, K, 10V	1	
	C8016	FIG1C104A116	C 0.10UF, K, 16V	1	
	C8017	FIJ1A106A087	C 0.010UF, K, 10V	1	
	C8018	FIG1C104A116	C 0.10UF, K, 16V	1	
	C8019	FIG1C104A116	C 0.10UF, K, 16V	1	
	C8020	FIG1C104A116	C 0.10UF, K, 16V	1	
	C8021	FIG1C104A116	C 0.10UF, K, 16V	1	
	C8022	FIG1C104A116	C 0.10UF, K, 16V	1	
	C8023	FIG1C104A116	C 0.10UF, K, 16V	1	
	C8024	FIG1C104A116	C 0.10UF, K, 16V	1	
	C8025	FIG1C104A116	C 0.10UF, K, 16V	1	
	C8027	FIG1A105A047	C 1UF, K, 10V	1	
	C8028	FIG1C104A116	C 0.10UF, K, 16V	1	
	C8029	FIG1C104A116	C 0.10UF, K, 16V	1	
	C8030	FIG1C104A116	C 0.10UF, K, 16V	1	
	C8031	FIG1C104A116	C 0.10UF, K, 16V	1	
	C8033	FIG1C104A116	C 0.10UF, K, 16V	1	
	C8034	FIG1C104A116	C 0.10UF, K, 16V	1	
	C8035	FIG1C104A116	C 0.10UF, K, 16V	1	
	C8036	FIG1A105A047	C 1UF, K, 10V	1	
	C8037	FIG1C104A116	C 0.10UF, K, 16V	1	
	C8038	FIG1C104A116	C 0.10UF, K, 16V	1	
	C8039	FIG1C104A116	C 0.10UF, K, 16V	1	
	C8040	FIG1C104A116	C 0.10UF, K, 16V	1	
	C8042	FIG1C104A116	C 0.10UF, K, 16V	1	
	C8043	FIG1C104A116	C 0.10UF, K, 16V	1	
	C8044	FIG1C104A116	C 0.10UF, K, 16V	1	
	C8045	FIG1A105A047	C 1UF, K, 10V	1	
	C8046	FIG1C104A116	C 0.10UF, K, 16V	1	
	C8048	FIG1C104A116	C 0.10UF, K, 16V	1	
	C8049	FIG1C104A116	C 0.10UF, K, 16V	1	
	C8050	FIG1C104A116	C 0.10UF, K, 16V	1	
	C8051	FIG1A105A047	C 1UF, K, 10V	1	
	C8052	FIG1C104A116	C 0.10UF, K, 16V	1	
	C8053	FIG1C104A116	C 0.10UF, K, 16V	1	
	C8054	FIG1A105A047	C 1UF, K, 10V	1	
	C8055	FIG1C104A116	C 0.10UF, K, 16V	1	
	C8056	FIG1C104A116	C 0.10UF, K, 16V	1	
	C8057	FIG1A105A047	C 1UF, K, 10V	1	
	C8058	FIH0J475A041	C 4.7UF, K, 16V	1	
	C8059	FIH0J475A041	C 4.7UF, K, 16V	1	
	C8060	FIH0J475A041	C 4.7UF, K, 16V	1	
	C8061	FIJ1A106A087	C 0.010UF, K, 10V	1	
	C8062	FIG1C104A116	C 0.10UF, K, 16V	1	
	C8063	FIG1C104A116	C 0.10UF, K, 16V	1	
	C8064	FIG1A105A047	C 1UF, K, 10V	1	
	C8065	FIG1C104A116	C 0.10UF, K, 16V	1	
	C8066	FIG1C104A116	C 0.10UF, K, 16V	1	
	C8067	FIG1C104A116	C 0.10UF, K, 16V	1	
	C8068	FIG1C104A116	C 0.10UF, K, 16V	1	

Safety	Ref. No.	Part No.	Part Name & Description	Pcs	Remarks
	C8069	F1G1C104A116	C 0.10UF, K, 16V	1	
	C8070	F1G1C104A116	C 0.10UF, K, 16V	1	
	C8071	F1G1C104A116	C 0.10UF, K, 16V	1	
	C8072	F1G1C104A116	C 0.10UF, K, 16V	1	
	C8073	F1G1C104A116	C 0.10UF, K, 16V	1	
	C8074	F1G1C104A116	C 0.10UF, K, 16V	1	
	C8075	F1G1C104A116	C 0.10UF, K, 16V	1	
	C8076	F1G1C104A116	C 0.10UF, K, 16V	1	
	C8077	F1G1C104A116	C 0.10UF, K, 16V	1	
	C8078	F1G1C104A116	C 0.10UF, K, 16V	1	
	C8079	F1G1C104A116	C 0.10UF, K, 16V	1	
	C8082	F1J1A106A087	C 0.010UF, K, 10V	1	
	C8083	F1H0J475A041	C 4.7UF, K, 16V	1	
	C8084	F1J1A106A087	C 0.010UF, K, 10V	1	
	C8085	F1J1A106A087	C 0.010UF, K, 10V	1	
	C8087	F1G1C104A116	C 0.10UF, K, 16V	1	
	C8088	F1G1C104A116	C 0.10UF, K, 16V	1	
	C8089	F1G1C104A116	C 0.10UF, K, 16V	1	
	C8090	F1G1C104A116	C 0.10UF, K, 16V	1	
	C8091	F1G1C104A116	C 0.10UF, K, 16V	1	
	C8092	F1G1C104A116	C 0.10UF, K, 16V	1	
	C8094	F1G1C104A116	C 0.10UF, K, 16V	1	
	C8096	F1G1C104A116	C 0.10UF, K, 16V	1	
	C8099	F1J1A106A087	C 0.010UF, K, 10V	1	
	C8100	F1J1A106A087	C 0.010UF, K, 10V	1	
	C8101	F1J1A106A087	C 0.010UF, K, 10V	1	
	C8102	F1J1A106A087	C 0.010UF, K, 10V	1	
	C8103	F1J1A106A087	C 0.010UF, K, 10V	1	
	C8104	F1J1A106A087	C 0.010UF, K, 10V	1	
	C8105	F1J1A106A087	C 0.010UF, K, 10V	1	
	C8106	F1H0J475A041	C 4.7UF, K, 16V	1	
	C8107	F1H0J475A041	C 4.7UF, K, 16V	1	
	C8108	F1J1A106A087	C 0.010UF, K, 10V	1	
	C8109	F1G1C104A116	C 0.10UF, K, 16V	1	
	C8110	F1G1C104A116	C 0.10UF, K, 16V	1	
	C8111	F1G1C104A116	C 0.10UF, K, 16V	1	
	C8112	F1G1C104A116	C 0.10UF, K, 16V	1	
	C8113	F1G1C104A116	C 0.10UF, K, 16V	1	
	C8114	F1G1C104A116	C 0.10UF, K, 16V	1	
	C8115	F1G1C104A116	C 0.10UF, K, 16V	1	
	C8116	F1G1C104A116	C 0.10UF, K, 16V	1	
	C8117	F1G1C104A116	C 0.10UF, K, 16V	1	
	C8119	F1G1C104A116	C 0.10UF, K, 16V	1	
	C8120	F1G1C104A116	C 0.10UF, K, 16V	1	
	C8121	F1G1C104A116	C 0.10UF, K, 16V	1	
	C8122	F1G1C104A116	C 0.10UF, K, 16V	1	
	C8123	F1G1C104A116	C 0.10UF, K, 16V	1	
	C8124	F1G1C104A116	C 0.10UF, K, 16V	1	
	C8126	F1G1C104A116	C 0.10UF, K, 16V	1	
	C8127	F1G1C104A116	C 0.10UF, K, 16V	1	
	C8128	F1G1C104A116	C 0.10UF, K, 16V	1	
	C8129	F1G1C104A116	C 0.10UF, K, 16V	1	
	C8130	F1G1C104A116	C 0.10UF, K, 16V	1	
	C8131	F1G1C104A116	C 0.10UF, K, 16V	1	
	C8132	F1G1C104A116	C 0.10UF, K, 16V	1	
	C8133	F1G1C104A116	C 0.10UF, K, 16V	1	
	C8134	F1G1C104A116	C 0.10UF, K, 16V	1	
	C8136	F1G1C104A116	C 0.10UF, K, 16V	1	
	C8137	F1G1C104A116	C 0.10UF, K, 16V	1	
	C8138	F1G1C104A116	C 0.10UF, K, 16V	1	
	C8139	F1G1C104A116	C 0.10UF, K, 16V	1	
	C8140	F1G1C104A116	C 0.10UF, K, 16V	1	
	C8141	F1G1C104A116	C 0.10UF, K, 16V	1	
	C8142	F1G1C104A116	C 0.10UF, K, 16V	1	

Safety	Ref. No.	Part No.	Part Name & Description	Pcs	Remarks
	C8143	F1G1C104A116	C 0.10UF, K, 16V	1	
	C8144	F1G1C104A116	C 0.10UF, K, 16V	1	
	C8145	F1G1C104A116	C 0.10UF, K, 16V	1	
	C8146	F1G1C104A116	C 0.10UF, K, 16V	1	
	C8147	F1G1C104A116	C 0.10UF, K, 16V	1	
	C8148	F1G1A105A047	C 1UF, K, 10V	1	
	C8149	F1G1A105A047	C 1UF, K, 10V	1	
	C8150	F1G1H8R0A732	C 8.0UF, 50V	1	
	C8151	F1G1H8R0A732	C 8.0UF, 50V	1	
	C8154	F1G1C103A116	C 0.010UF, K, 16V	1	
	C8155	F1G1H150A731	C 15UF, 50V	1	
	C8156	F1G1HR50A577	C 0.50UF, 50V	1	
	C8157	F1G1C104A116	C 0.10UF, K, 16V	1	
	C8158	F1G1C104A116	C 0.10UF, K, 16V	1	
	C8159	F1J1A106A087	C 0.010UF, K, 10V	1	
	C8160	ECJ1VF1A105Z	C 1UF, Z, 10V	1	
	C8240	F1G1C104A116	C 0.10UF, K, 16V	1	
	C8241	F1G1C104A116	C 0.10UF, K, 16V	1	
	C8242	F1G1C104A116	C 0.10UF, K, 16V	1	
	C8243	F1G1H3R0A732	C 3.0PF, K, 50V	1	
	C8246	F1G1A105A047	C 1UF, K, 10V	1	
	C8247	F1G1C104A116	C 0.10UF, K, 16V	1	
	C8248	F1G1C104A116	C 0.10UF, K, 16V	1	
	C8249	F1G1C104A116	C 0.10UF, K, 16V	1	
	C8250	F1G1C104A116	C 0.10UF, K, 16V	1	
	C8251	ECGRLOG680ER	C 68UF, J, 4V	1	
	C8252	F1J1A106A087	C 0.010UF, K, 10V	1	
	C8253	F1G1C104A116	C 0.10UF, K, 16V	1	
	C8254	F1G1A105A047	C 1UF, K, 10V	1	
	C8255	F1G1A105A047	C 1UF, K, 10V	1	
	C8256	F1G1A105A047	C 1UF, K, 10V	1	
	C8257	F1G1C104A116	C 0.10UF, K, 16V	1	
	C8258	F1G1C104A116	C 0.10UF, K, 16V	1	
	C8259	F1G1A105A047	C 1UF, K, 10V	1	
	C8260	F1G1C104A116	C 0.10UF, K, 16V	1	
	C8261	F1G1C104A116	C 0.10UF, K, 16V	1	
	C8262	F1G1C104A116	C 0.10UF, K, 16V	1	
	C8263	F1G1A105A047	C 1UF, K, 10V	1	
	C8264	F1G1A105A047	C 1UF, K, 10V	1	
	C8265	F1G1C104A116	C 0.10UF, K, 16V	1	
	C8266	F1G1C104A116	C 0.10UF, K, 16V	1	
	C8267	F1G1C104A116	C 0.10UF, K, 16V	1	
	C8268	F1G1C104A116	C 0.10UF, K, 16V	1	
	C8269	F1G1C104A116	C 0.10UF, K, 16V	1	
	C8270	F1G1C104A116	C 0.10UF, K, 16V	1	
	C8271	ECGRLOG680ER	C 68UF, J, 4V	1	
	C8272	F1J1A106A087	C 0.010UF, K, 10V	1	
	C8273	F1G1A105A047	C 1UF, K, 10V	1	
	C8274	F1G1C104A116	C 0.10UF, K, 16V	1	
	C8275	F1G1A105A047	C 1UF, K, 10V	1	
	C8276	F1G1C104A116	C 0.10UF, K, 16V	1	
	C8277	F1G1C104A116	C 0.10UF, K, 16V	1	
	C8278	F1G1A105A047	C 1UF, K, 10V	1	
	C8279	F1G1C104A116	C 0.10UF, K, 16V	1	
	C8280	F1G1C104A116	C 0.10UF, K, 16V	1	
	C8281	F1G1A105A047	C 1UF, K, 10V	1	
	C8282	F1G1C104A116	C 0.10UF, K, 16V	1	
	C8283	F1G1A105A047	C 1UF, K, 10V	1	
	C8284	F1G1A105A047	C 1UF, K, 10V	1	
	C8285	F1G1A105A047	C 1UF, K, 10V	1	
	C8286	F1G1A105A047	C 1UF, K, 10V	1	
	C8289	F1G1C104A116	C 0.10UF, K, 16V	1	
	C8290	F1G1C104A116	C 0.10UF, K, 16V	1	
	C8291	F1G1C104A116	C 0.10UF, K, 16V	1	
	C8292	F1G1C104A116	C 0.10UF, K, 16V	1	
	C8293	F1G1C104A116	C 0.10UF, K, 16V	1	
	C8300	F1G1C104A116	C 0.10UF, K, 16V	1	
	C8301	F1G1C104A116	C 0.10UF, K, 16V	1	
	C8303	F1G1C104A116	C 0.10UF, K, 16V	1	
	C8304	F1G1H100A731	C 10PF, K, 50V	1	

Safety	Ref. No.	Part No.	Part Name & Description	Pcs	Remarks
	C8305	FIG1H100A731	C 10PF, K, 50V	1	
	C8306	FIG1C104A116	C 0.10UF, K, 16V	1	
	C8308	FIG1C104A116	C 0.10UF, K, 16V	1	
	C8309	FIG1C104A116	C 0.10UF, K, 16V	1	
	C8310	FIG1C104A116	C 0.10UF, K, 16V	1	
	C8311	FIG1A106A087	C 0.010UF, K, 10V	1	
	C8314	FIG1C104A116	C 0.10UF, K, 16V	1	
	C8315	FIG1C104A116	C 0.10UF, K, 16V	1	
	C8316	FIG1C104A116	C 0.10UF, K, 16V	1	
	C8317	FIG1C104A116	C 0.10UF, K, 16V	1	
	C8318	FIG1C104A116	C 0.10UF, K, 16V	1	
	C8319	FIG1C104A116	C 0.10UF, K, 16V	1	
	C8320	ECJ1VB1A105K	C 0.01UF, Z, 10V	1	
	C8321	FIG1A225A051	C 22UF, 50V	1	
	C8322	FIG1C104A116	C 0.10UF, K, 16V	1	
	C8324	FIG1H560A731	C 56UF, 50V	1	
	C8325	FIG1H560A731	C 56UF, 50V	1	
	C8340	FIG1E106A136	C 10UF, Z, 25V	1	
	C8341	FIG1A106A087	C 0.010UF, K, 10V	1	
	C8342	FIG1A106A087	C 0.010UF, K, 10V	1	
	C8360	FIG1C104A116	C 0.10UF, K, 16V	1	
	C8361	FIG1C104A116	C 0.10UF, K, 16V	1	
	C8362	FIG1C104A116	C 0.10UF, K, 16V	1	
	C8365	FIG1H151A731	C 150PF, K, 50V	1	
	C8366	FIG1H151A731	C 150PF, K, 50V	1	
	C8367	FIG1H151A731	C 150PF, K, 50V	1	
	C8368	FIG1H151A731	C 150PF, K, 50V	1	
	C8369	FIG1H151A731	C 150PF, K, 50V	1	
	C8370	FIG1H151A731	C 150PF, K, 50V	1	
	C8371	FIG1H151A731	C 150PF, K, 50V	1	
	C8372	FIG1H151A731	C 150PF, K, 50V	1	
	C8373	FIG1H151A731	C 150PF, K, 50V	1	
	C8374	FIG1H151A731	C 150PF, K, 50V	1	
	C8375	FIG1H151A731	C 150PF, K, 50V	1	
	C8400	FIG1C104A116	C 0.10UF, K, 16V	1	
	C8401	FIG1C104A116	C 0.10UF, K, 16V	1	
	C8402	FIG1C104A116	C 0.10UF, K, 16V	1	
	C8403	FIG1C104A116	C 0.10UF, K, 16V	1	
	C8404	FIG1C104A116	C 0.10UF, K, 16V	1	
	C8405	FIG1C104A116	C 0.10UF, K, 16V	1	
	C8406	FIG1C104A116	C 0.10UF, K, 16V	1	
	C8407	FIG1C104A116	C 0.10UF, K, 16V	1	
	C8408	FIG1C104A116	C 0.10UF, K, 16V	1	
	C8409	FIG1C104A116	C 0.10UF, K, 16V	1	
	C8410	FIG1C104A116	C 0.10UF, K, 16V	1	
	C8412	FIG1C104A116	C 0.10UF, K, 16V	1	
	C8413	FIG1E103A123	C 0.010UF, K, 25V	1	
	C8414	FIG1E103A123	C 0.010UF, K, 25V	1	
	C8415	FIG1C104A116	C 0.10UF, K, 16V	1	
	C8416	FIG1K0J226A008	C 22UF, K, 6.3V	1	
	C8417	FIG1K0J226A008	C 22UF, K, 6.3V	1	
	C8418	FIG1K0J226A008	C 22UF, K, 6.3V	1	
	C8512	FIG1C104A116	C 0.10UF, K, 16V	1	
	C8513	FIG1C104A116	C 0.10UF, K, 16V	1	
	C8515	FIG1A106A087	C 0.010UF, K, 10V	1	
	C8516	FIG1C103A116	C 0.010UF, K, 16V	1	
	C8600	FIG1H102A730	C 1000UF, 50V	1	
	C8711	FIG1A106A087	C 0.010UF, K, 10V	1	
	C8712	FIG1C104A116	C 0.10UF, K, 16V	1	
	C8713	FIG1C104A116	C 0.10UF, K, 16V	1	
	C8714	FIG1H101A731	C 100PF, K, 50V	1	
	C8717	FIG1A106A087	C 0.010UF, K, 10V	1	
	C8718	FIG1C104A116	C 0.10UF, K, 16V	1	
	C8719	FIG1C104A116	C 0.10UF, K, 16V	1	
	C8720	FIG1C104A116	C 0.10UF, K, 16V	1	
	C8721	FIG1C104A116	C 0.10UF, K, 16V	1	

Safety	Ref. No.	Part No.	Part Name & Description	Pcs	Remarks
	C8722	FIG1A106A087	C 0.010UF, K, 10V	1	
	C8726	FIG1A106A087	C 0.010UF, K, 10V	1	
	C8727	FIG1C104A116	C 0.10UF, K, 16V	1	
	C8728	EEEHB0J221UP	C 220PF, J, 6.3V	1	
	C8731	FIG1C104A116	C 0.10UF, K, 16V	1	
	C8739	FIG1A106A087	C 0.010UF, K, 10V	1	
	C8740	FIG1A106A087	C 0.010UF, K, 10V	1	
	C8741	FIG1A105A047	C 1UF, K, 10V	1	
	C8742	FIG1A105A047	C 1UF, K, 10V	1	
	C8744	EEEHB0J221UP	C 220PF, J, 6.3V	1	
	C8747	FIG1C104A116	C 0.10UF, K, 16V	1	
	C8853	FIG1C104A116	C 0.10UF, K, 16V	1	
	C8854	FIG1C104A116	C 0.10UF, K, 16V	1	
	C8860	FIG2G1C470A022	E 47UF, 16V	1	
	C8861	FIG1C104A116	C 0.10UF, K, 16V	1	
	C8862	FIG1C103A116	C 0.010UF, K, 16V	1	
	C8863	FIG1J0G2260001	C 0.001UF, 6.3V	1	
	C8922	FIG1C104A116	C 0.10UF, K, 16V	1	
	C8923	FIG1C104A116	C 0.10UF, K, 16V	1	
	C8950	FIG1C103A116	C 0.010UF, K, 16V	1	
	C9033	FIG1C104A116	C 0.10UF, K, 16V	1	
	C9034	FIG1C104A116	C 0.10UF, K, 16V	1	
	C9035	FIG1A106A087	C 0.010UF, K, 10V	1	
	C9036	FIG1A106A087	C 0.010UF, K, 10V	1	
	C9037	FIG1E103A123	C 0.010UF, K, 25V	1	
	C9040	FIG1C104A116	C 0.10UF, K, 16V	1	
	C9044	FIG1A475A087	C 4.7UF, K, 10V	1	
	C9045	FIG1C104A116	C 0.10UF, K, 16V	1	
	C9046	FIG1C104A116	C 0.10UF, K, 16V	1	
	C9047	FIG1C104A116	C 0.10UF, K, 16V	1	
	C9048	FIG1C104A116	C 0.10UF, K, 16V	1	
	C9052	FIG1C104A116	C 0.10UF, K, 16V	1	
	C9053	FIG1C104A116	C 0.10UF, K, 16V	1	
	C9054	FIG1H201A731	C 200 UF, K, 50V	1	
	C9055	FIG1C104A116	C 0.10UF, K, 16V	1	
	C9056	FIG1C104A116	C 0.10UF, K, 16V	1	
	C9057	FIG1C104A116	C 0.10UF, K, 16V	1	
	C9061	FIG1C104A116	C 0.10UF, K, 16V	1	
	C9062	FIG1A475A087	C 4.7UF, K, 10V	1	
	C9063	FIG1C104A116	C 0.10UF, K, 16V	1	
	C9065	FIG1C104A116	C 0.10UF, K, 16V	1	
	C9095	FIG1C104A116	C 0.10UF, K, 16V	1	
	C9096	FIG1E103A123	C 0.010UF, K, 25V	1	
	C9100	FIG1A106A087	C 0.010UF, K, 10V	1	
	C9101	FIG1E103A123	C 0.010UF, K, 25V	1	
	C9102	FIG1K1E106A136	C 10UF, Z, 25V	1	
	C9103	FIG1E103A123	C 0.010UF, K, 25V	1	
	C9105	FIG1H101A731	C 100PF, K, 50V	1	
	C9116	FIG1H102A730	C 1000UF, 50V	1	
	C9120	FIG1C104A116	C 0.10UF, K, 16V	1	
	C9122	FIG1C104A116	C 0.10UF, K, 16V	1	
	C9124	FIG1C104A116	C 0.10UF, K, 16V	1	
	C9134	FIG1A106A087	C 0.010UF, K, 10V	1	
	C9135	FIG1A106A087	C 0.010UF, K, 10V	1	
	C9136	FIG1A106A087	C 0.010UF, K, 10V	1	
	C9137	FIG1C104A116	C 0.10UF, K, 16V	1	
	C9138	FIG1C104A116	C 0.10UF, K, 16V	1	
	C9142	FIG1C104A116	C 0.10UF, K, 16V	1	
	C9145	FIG1C104A116	C 0.10UF, K, 16V	1	

Safety	Ref. No.	Part No.	Part Name & Description	Pcs	Remarks
	C9154	F1J1A106A087	C 0.010UF, K, 10V	1	
	C9155	F1J1A106A087	C 0.010UF, K, 10V	1	
	C9157	F1G1C104A116	C 0.10UF, K, 16V	1	
	C9158	F1G1C104A116	C 0.10UF, K, 16V	1	
	C9160	F1G1C104A116	C 0.10UF, K, 16V	1	
	C9162	F1G1C104A116	C 0.10UF, K, 16V	1	
	C9165	ECJ1VB0J105K	C 1UF, K, 6.3V	1	
	C9167	F1J1A106A087	C 0.010UF, K, 10V	1	
	C9170	F1G1C104A116	C 0.10UF, K, 16V	1	
	C9171	F1G1C104A116	C 0.10UF, K, 16V	1	
	C9174	F1G1C104A116	C 0.10UF, K, 16V	1	
	C9175	F1J1A106A087	C 0.010UF, K, 10V	1	
	C9176	F1G1C104A116	C 0.10UF, K, 16V	1	
	C9177	F1J1A106A087	C 0.010UF, K, 10V	1	
	C9178	F1G1C104A116	C 0.10UF, K, 16V	1	
	C9179	F1J1A106A087	C 0.010UF, K, 10V	1	
	C9180	F1G1C104A116	C 0.10UF, K, 16V	1	
	C9183	F1G1C104A116	C 0.10UF, K, 16V	1	
	C9187	F1G1C104A116	C 0.10UF, K, 16V	1	
	C9189	F1G1C104A116	C 0.10UF, K, 16V	1	
	C9198	F1J1A106A087	C 0.010UF, K, 10V	1	
	C9199	F1J1A106A087	C 0.010UF, K, 10V	1	
	C9200	F1J1A106A087	C 0.010UF, K, 10V	1	
	C9201	F1G1C104A116	C 0.10UF, K, 16V	1	
	C9202	F1G1C104A116	C 0.10UF, K, 16V	1	
	C9203	ECJ1VB0J105K	C 1UF, K, 6.3V	1	
	C9207	F1H1E104A129	C 0.1UF, 25V	1	
	C9208	F1K1E106A136	C 10UF, Z, 25V	1	
	C9211	F1K1E106A136	C 10UF, Z, 25V	1	
	C9212	F1K0J226A008	C 22UF, K, 6.3V	1	
	C9213	F1K0J226A008	C 22UF, K, 6.3V	1	
	C9214	F1H1C105A145	C 0.01UF, K, 16V	1	
	C9215	F1J1A475A087	C 4.7UF, K, 10V	1	
	C9218	F1G1C104A116	C 0.10UF, K, 16V	1	
	C9219	F1H1C104A143	C 0.1UF, K, 16V	1	
	C9220	F1H1C104A143	C 0.1UF, K, 16V	1	
	C9221	F1G1C104A116	C 0.10UF, K, 16V	1	
	C9231	F1K0J226A008	C 22UF, K, 6.3V	1	
	C9241	F1G1C104A116	C 0.10UF, K, 16V	1	
	C9245	F1H1E104A129	C 0.1UF, 25V	1	
	C9246	F1K0J226A008	C 22UF, K, 6.3V	1	
	C9248	F1G1H222A730	C 2200UF, 50V	1	
	C9250	F1G1C473A116	C 0.047UF, K, 16V	1	PAVCCZ
	C9251	F1K1E106A136	C 10UF, Z, 25V	1	
	C9252	F1K1E106A136	C 10UF, Z, 25V	1	
	C9253	F1G1H470A731	C 47UF, 50V	1	
	C9254	F1G1H221A731	C 220UF, 50V	1	
	C9255	F1H1E104A129	C 0.1UF, 25V	1	
	C9256	F1K0J226A008	C 22UF, K, 6.3V	1	
	C9258	F1G1H332A730	C 3300UF, 50V	1	
	C9260	F1G1C473A116	C 0.047UF, K, 16V	1	PAVCCZ
	C9261	F1K1E106A136	C 10UF, Z, 25V	1	
	C9262	F1K1E106A136	C 10UF, Z, 25V	1	
	C9263	F1G1H101A731	C 100PF, K, 50V	1	
	C9264	F1G1H221A731	C 220UF, 50V	1	
	C9265	F1K1E106A136	C 10UF, Z, 25V	1	
	C9266	F1G1E103A123	C 0.010UF, K, 25V	1	
	C9267	F1G1C104A116	C 0.10UF, K, 16V	1	
	C9301	F1G1H180A731	C 18UF, 50V	1	
	C9302	F1G1H180A731	C 18UF, 50V	1	
	C9307	F1G1C104A116	C 0.10UF, K, 16V	1	
	C9308	F1G1C104A116	C 0.10UF, K, 16V	1	
	C9311	F1G1C104A116	C 0.10UF, K, 16V	1	

Safety	Ref. No.	Part No.	Part Name & Description	Pcs	Remarks
	C9312	F1J1A106A087	C 0.010UF, K, 10V	1	
	C9313	F1G1C104A116	C 0.10UF, K, 16V	1	
	C9314	F1J1A106A087	C 0.010UF, K, 10V	1	
	C9315	F1G1C104A116	C 0.10UF, K, 16V	1	
	C9316	F1J1A106A087	C 0.010UF, K, 10V	1	
	C9319	F1G1C104A116	C 0.10UF, K, 16V	1	
	C9322	F1G1C104A116	C 0.10UF, K, 16V	1	
	C9323	F1G1C104A116	C 0.10UF, K, 16V	1	
	C9325	F1G1C104A116	C 0.10UF, K, 16V	1	
	C9327	F1G1C104A116	C 0.10UF, K, 16V	1	
	C9335	F1J1A106A087	C 0.010UF, K, 10V	1	
	C9336	F1J1A106A087	C 0.010UF, K, 10V	1	
	C9337	F1J1A106A087	C 0.010UF, K, 10V	1	
	C9339	F1G1C104A116	C 0.10UF, K, 16V	1	
	C9340	F1G1C104A116	C 0.10UF, K, 16V	1	
	C9342	F1G1C104A116	C 0.10UF, K, 16V	1	
	C9344	F1G1C104A116	C 0.10UF, K, 16V	1	
	C9347	ECJ1VB0J105K	C 1UF, K, 6.3V	1	
	C9349	F1J1A106A087	C 0.010UF, K, 10V	1	
	C9350	F1G1C104A116	C 0.10UF, K, 16V	1	
	C9351	F1G1C104A116	C 0.10UF, K, 16V	1	
	C9352	ECJ1VB0J105K	C 1UF, K, 6.3V	1	
	C9356	F1G1C104A116	C 0.10UF, K, 16V	1	
	C9361	F1G1C104A116	C 0.10UF, K, 16V	1	
	C9363	F1G1C104A116	C 0.10UF, K, 16V	1	
	C9371	F1J1A106A087	C 0.010UF, K, 10V	1	
	C9372	F1J1A106A087	C 0.010UF, K, 10V	1	
	C9373	F1J1A106A087	C 0.010UF, K, 10V	1	
	C9374	F1G1C104A116	C 0.10UF, K, 16V	1	
	C9375	F1G1C104A116	C 0.10UF, K, 16V	1	
	C9380	F1G1C104A116	C 0.10UF, K, 16V	1	
	C9383	F1G1C104A116	C 0.10UF, K, 16V	1	
	C9391	F1J1A106A087	C 0.010UF, K, 10V	1	
	C9392	F1J1A106A087	C 0.010UF, K, 10V	1	
	C9400	F1H1E104A129	C 0.1UF, 25V	1	
	C9401	F1G1H821A730	C 820UF, 50V	1	
	C9402	F1K0J226A008	C 22UF, K, 6.3V	1	
	C9403	F1K0J226A008	C 22UF, K, 6.3V	1	
	C9404	F1G1C104A116	C 0.10UF, K, 16V	1	
	C9405	F1G1C104A116	C 0.10UF, K, 16V	1	
	C9406	F1G1C104A116	C 0.10UF, K, 16V	1	
	C9432	F1K0J226A008	C 22UF, K, 6.3V	1	
	C9900	F1G1E103A123	C 0.010UF, K, 25V	1	
	CN0101	K1KA20AA0009	20P CONNECTOR	1	
	CN0102	K1KA11A00178	11P CONNECTOR	1	
	D3	K1KA15B00074	15P CONNECTOR	1	
	D5	K1MY68BA0345	68P CONNECTOR	1	
	D6	K1KA20AA0009	20P CONNECTOR	1	
	D20	K1MY35BA0345	35P CONNECTOR	1	
	D25	K1KY10AA0719	10P CONNECTOR	1	PAVCCZ
	D31	K1MY68BA0345	68P CONNECTOR	1	
	D32	K1MY68BA0345	68P CONNECTOR	1	
	D33	K1MY55BA0345	55P CONNECTOR	1	
	D34	K1MY68BA0345	68P CONNECTOR	1	
	D1002	EZJZ0V120JA	VARIATOR	1	
	D1003	EZJZ0V120JA	VARIATOR	1	
	D1004	EZAEG2A50AX	ESD SUPPRESSOR	1	
	D1005	EZAEG2A50AX	ESD SUPPRESSOR	1	
	D1006	EZAEG2A50AX	ESD SUPPRESSOR	1	
	D1007	EZAEG2A50AX	ESD SUPPRESSOR	1	
	D1008	EZAEG2A50AX	ESD SUPPRESSOR	1	

Safety	Ref. No.	Part No.	Part Name & Description	Pcs	Remarks
	D1009	EZAEG2A50AX	ESD SUPPRESSOR	1	
	D1010	EZAEG2A50AX	ESD SUPPRESSOR	1	
	D1107	B0JCCE000008	DIODE	1	
	D2014	B0ACJ0000048	DIODE	1	
	D2417	B0ACJ0000048	DIODE	1	
	D2500	B3EB00000048	LED	1	PAVCCZ
	D2501	B3EB00000048	LED	1	PAVCCZ
	D2502	B3EB00000048	LED	1	PAVCCZ
	D2520	B3AGB0000060	LED	1	PAVCCZ
	D2521	B3AEA0000099	LED	1	
	D2780	B0BC01600013	ZENER DIODE	1	
	D2781	B0BC01600013	ZENER DIODE	1	
	D2782	B0BC01600013	ZENER DIODE	1	
	D2783	B0BC01600013	ZENER DIODE	1	
	D2801	B0JCME000092	DIODE	1	
	D2802	B0ADCJ000100	DIODE	1	
	D2803	B0ADCJ000100	DIODE	1	
	D2809	B0BC010A0007	ZENER DIODE	1	
	D2810	B0ACJ0000048	DIODE	1	
	D2811	DZ2J033M0L	ZENER DIODE	1	
	D3013	DZ2J140M0L	ZENER DIODE	1	PAVCCZ
	D3014	DZ2J140M0L	ZENER DIODE	1	PAVCCZ
	D3015	K7AAAY000006	PHOTO LINK	1	
	D3048	B0JCCE000008	DIODE	1	
	D3339	B0JCCE000008	DIODE	1	
	D4200	B0JCME000092	DIODE	1	
	D4702	B0ACJ0000048	DIODE	1	
	D4703	DZ2J056M0L	ZENER DIODE	1	
	D4704	B0JCCE000008	DIODE	1	
	D4719	B0ACJ0000048	DIODE	1	
	D4720	DZ2J056M0L	ZENER DIODE	1	
	D4721	B0JCCE000008	DIODE	1	
	D4735	B0ACJ0000048	DIODE	1	
	D4736	DZ2J056M0L	ZENER DIODE	1	
	D4737	B0JCCE000008	DIODE	1	
	D4770	B0ACJ0000048	DIODE	1	
	D4771	DZ2J056M0L	ZENER DIODE	1	
	D4772	B0JCCE000008	DIODE	1	
	D4785	B0ECKM000048	DIODE	1	
	D5250	B0ACJ0000048	DIODE	1	
	D5301	B0JCPG000030	DIODE	1	
	D5431	B0ADEJ000035	ZENER DIODE	1	
	D5432	B0ADEJ000035	ZENER DIODE	1	
	D5433	B0ADCJ000100	DIODE	1	
	D5434	B0ADCJ000100	DIODE	1	
	D5435	B0ADCJ000100	DIODE	1	
	D5436	B0ADCJ000100	DIODE	1	
	D5437	B0ADCJ000100	DIODE	1	
	D5439	DZ2J068M0L	ZENER DIODE	1	PAVCCZ
	D5440	DZ2J120M0L	ZENER DIODE	1	
	D5441	DZ2J120M0L	ZENER DIODE	1	
	D5442	DZ2J068M0L	ZENER DIODE	1	PAVCCZ
	D5443	DZ2J068M0L	ZENER DIODE	1	PAVCCZ
	D5444	DZ2J068M0L	ZENER DIODE	1	PAVCCZ
	D5445	DZ2J068M0L	ZENER DIODE	1	PAVCCZ
	D5447	DZ2J068M0L	ZENER DIODE	1	PAVCCZ
	D5448	DZ2J068M0L	ZENER DIODE	1	PAVCCZ
	D5449	DZ2J068M0L	ZENER DIODE	1	PAVCCZ
	D5470	B0ADEJ000035	ZENER DIODE	1	
	D5487	B0JCME000076	DIODE	1	
	D5488	B0ACJ0000048	DIODE	1	
	D5490	B0ADCJ000100	DIODE	1	
	D5491	DZ2J068M0L	ZENER DIODE	1	PAVCCZ
	D5492	DZ2J068M0L	ZENER DIODE	1	PAVCCZ
	D5493	B0ADEJ000035	ZENER DIODE	1	
	D5505	B0JCPD000026	DIODE	1	
	D5519	B0BC010A0007	ZENER DIODE	1	
	D5524	B0ACJ0000048	DIODE	1	
	D5602	DZ2J056M0L	ZENER DIODE	1	
	D5603	B0JCPG000030	DIODE	1	
	D5605	B0ECKM000048	DIODE	1	
	D5800	B0JCPD000026	DIODE	1	
	D5802	B0JCPG000030	DIODE	1	

Safety	Ref. No.	Part No.	Part Name & Description	Pcs	Remarks
	D5803	B0JCPG000030	DIODE	1	
	D6700	B0JCPD000021	DIODE	1	
	D6701	B0JCMD000010	DIODE	1	
	D6702	B0JCMD000010	DIODE	1	
	D6703	B0ECKP000002	DIODE	1	
	D6705	B0JCPD000021	DIODE	1	
	D6706	B0BC4R700007	ZENER DIODE	1	
	D6707	B0BC4R700007	ZENER DIODE	1	
	D6708	B0ECKP000002	DIODE	1	
	D6709	B0ECKP000002	DIODE	1	
	D6710	B0BC4R700007	ZENER DIODE	1	
	D6711	B0BC6R600005	ZENER DIODE	1	
	D6712	B0BC6R600005	ZENER DIODE	1	
	D6713	B0JCND000009	DIODE	1	
	D6714	B0BC4R700007	ZENER DIODE	1	
	D9001	B0JCCE000008	DIODE	1	
	D9008	B0JCCE000008	DIODE	1	
	D9009	B0JCPD000026	DIODE	1	
	D9110	B0JCGD000002	DIODE	1	
	D9802	B0JCCE000008	DIODE	1	
	D9803	B0JCCE000008	DIODE	1	
	FL2106	JOZZB0000097	FILTER	1	
	FL2107	JOZZB0000097	FILTER	1	
	FL8701	JOMAB0000140	LC FILTER	1	
	FL8702	JOMAB0000140	LC FILTER	1	
	IC1000	C1ZBZ0003775	IC	1	
	IC1100	MNZSFH9GP92	IC	1	
	IC1101	TVRR472	IC	1	PAVCCZ
	IC2301	C1AB00003230	IC	1	
	IC2401	C1AB00003230	IC	1	
	IC2780	COZBZ0001361	IC	1	
	IC2801	C0DBAY00462	IC	1	
	IC2950	C0CBCAG00031	IC	1	
	IC2952	C0DBGY00281	IC	1	
	IC3001	C1AB00003218	IC	1	
	IC4200	C1AB00003310	IC	1	PAVCCZ
	IC4201	C0DBAY00737	IC	1	
	IC4204	C0DBGFF00004	IC	1	PAVCCZ
	IC4205	TVRR368	IC	1	PAVCCZ
	IC4206	C0DBGY00892	IC	1	PAVCCZ
	IC4207	C0DBGFF00011	IC	1	
	IC4211	C3ABSG000060	IC	1	
	IC4212	C0DBAY00462	IC	1	
	IC4500	C1AB00003079	IC	1	
	IC4701	C0DBGY00578	IC	1	
	IC5250	C0DBEY00123	IC	1	PAVCCZ
	IC5251	C0CBCBC00227	IC	1	
	IC5290	C0DBGY00884	IC	1	
	IC5302	C0DBAY00755	IC	1	PAVCCZ
	IC5303	C0DBAY00755	IC	1	PAVCCZ
	IC5470	C0EBM0000026	IC	1	
	IC5482	C1ZBZ0003972	IC	1	
	IC5500	C0DBAY00715	IC	1	
	IC5501	C0DBAY00715	IC	1	
	IC5603	C0DBFY00049	IC	1	
	IC5604	C0DBGY00578	IC	1	
	IC5800	C1AB00003253	IC	1	
	IC5801	TVRR588	IC	1	PAVCCZ
	IC5805	C0DBGY00905	IC	1	
	IC5806	C0DBAY00605	IC	1	
	IC5808	C0DBAY00727	IC	1	
	IC5809	C0DBEJG00001	IC	1	
	IC5810	C0DBEJG00001	IC	1	
	IC5811	C0DBAY00727	IC	1	
	IC5813	C0CBADB00038	IC	1	
	IC5814	C0ABBA000201	IC	1	
	IC6700	C1AB00002948	IC	1	PAVCCZ
	IC6701	C0DBEY00123	IC	1	PAVCCZ
	IC6702	C0DBAY00462	IC	1	
	IC8000	MN2WS0110C	IC	1	PAVCCZ
	IC8100	C1ZBZ0003967	IC	1	

Safety	Ref. No.	Part No.	Part Name & Description	Pcs	Remarks
	IC8240	C3ABTY000025	IC	1	
	IC8241	C3ABTY000025	IC	1	
	IC8300	C1AB00003188	IC	1	PAVCCZ
	IC8302	C0DBFY000041	IC	1	PAVCCZ
	IC8360	C0JBAR000566	IC	1	PAVCCZ
	IC8361	C0JBAR000566	IC	1	PAVCCZ
	IC8362	C0JBAR000566	IC	1	PAVCCZ
	IC8400	C1AB00003193	IC	1	PAVCCZ
	IC8401	C1AB00002913	IC	1	PAVCCZ
	IC8402	C0ZBZ0001584	IC	1	PAVCCZ
	IC8701	C0DBZYY00365	IC	1	
	IC8703	C1CB00003239	IC	1	
	IC8921	TVRR384	IC	1	PAVCCZ
	IC8950	TVRR391	IC	1	PAVCCZ
	IC9001	TVRR479	IC	1	PAVCCZ
	IC9002	C1ZBZ0004127	IC	1	
	IC9003	MNZSFH8KFD2	IC	1	PAVCCZ
	IC9004	C1ZBZ0003983	IC	1	
	IC9300	C1AB00003258	IC	1	
	IC9304	TVRR492AA	IC	1	PAVCCZ
	IC9400	C1AB00003258	IC	1	
	IC9401	C0JBAU000010	IC	1	PAVCCZ
	IC9402	C0JBAU000010	IC	1	PAVCCZ
	IC9403	C0JBAU000010	IC	1	PAVCCZ
	IC9801	C0DBAYY00605	IC	1	
	IC9802	C0DBAYY00715	IC	1	
	IC9804	C0DBAYY00605	IC	1	
	IC9810	C0JBAU000088	IC	1	PAVCCZ
	IC9811	C0JBAU000088	IC	1	PAVCCZ
	JK2780	K4AK03A00001	JACK	1	PAVCCZ
	JK3001	K1FY315A0008	CONNECTOR	1	PAVCCZ
	JK3002	K1FY242A0001	CONNECTOR	1	PAVCCZ
	JK3100A	K2HA710A0001	JACK	1	PAVCCZ
	JK3707	K4AK13B00006	TERMINAL BOARD	1	PAVCCZ
	JK4700	K1FY119D0011	CONNECTOR	1	PAVCCZ
	JK4701	K1FY119D0011	CONNECTOR	1	PAVCCZ
	JK4702	K1FY119D0011	CONNECTOR	1	PAVCCZ
	JK4703	K1FY119E0015	CONNECTOR	1	PAVCCZ
	JK8301	K2LC1YYA0005	JACK	1	
	JK8401A	K1NA68B00054	68P CONNECTOR	1	PAVCCZ
	JK8700	K1FY208B0008	CONNECTOR	1	
	JK8850	K1NA12E00017	SD CARD CONNEC-TOR	1	
	JS6705	DOGAR00Z0001	C 0 OHM, 0.063W	1	
	K1	K1KA11B00092	11P CONNECTOR	1	
	L1100	J0JYC0000068	CHIP INDUCTOR	1	
	L2301	J0JHC0000045	CHIP INDUCTOR	1	
	L2302	G1C3R0ZA0156	INDUCTION COIL	1	
	L2303	G1C220MA0416	INDUCTION COIL	1	
	L2304	G1C220MA0416	INDUCTION COIL	1	
	L2305	G1C220MA0416	INDUCTION COIL	1	
	L2306	G1C220MA0416	INDUCTION COIL	1	
	L2401	J0JHC0000045	CHIP INDUCTOR	1	
	L2403	G1C220MA0416	INDUCTION COIL	1	
	L2404	G1C220MA0416	INDUCTION COIL	1	
	L2803	G1C330MA0416	INDUCTION COIL	1	PAVCCZ
	L2900	J0JCC0000278	CHIP INDUCTOR	1	
	L2901	J0JCC0000278	CHIP INDUCTOR	1	
	L2904	J0JCC0000278	CHIP INDUCTOR	1	
	L2905	J0JHC0000046	CHIP INDUCTOR	1	
	L2950	J0JHC0000045	CHIP INDUCTOR	1	
	L3002	J0JYC0000331	CHIP INDUCTOR	1	PAVCCZ
	L3003	J0JYC0000331	CHIP INDUCTOR	1	PAVCCZ
	L3004	J0JYC0000331	CHIP INDUCTOR	1	PAVCCZ
	L3005	J0JYC0000331	CHIP INDUCTOR	1	PAVCCZ
	L3006	J0JYC0000331	CHIP INDUCTOR	1	PAVCCZ
	L3007	J0JYC0000331	CHIP INDUCTOR	1	PAVCCZ
	L3008	J0JYC0000331	CHIP INDUCTOR	1	PAVCCZ
	L3009	J0JYC0000331	CHIP INDUCTOR	1	PAVCCZ

Safety	Ref. No.	Part No.	Part Name & Description	Pcs	Remarks
	L3010	J0JYC0000331	CHIP INDUCTOR	1	PAVCCZ
	L3011	J0JYC0000331	CHIP INDUCTOR	1	PAVCCZ
	L3014	J0JYC0000331	CHIP INDUCTOR	1	PAVCCZ
	L3015	J0JYC0000331	CHIP INDUCTOR	1	PAVCCZ
	L3017	J0JCC0000287	CHIP INDUCTOR	1	
	L3018	J0JCC0000287	CHIP INDUCTOR	1	
	L3020	J0JYC0000331	CHIP INDUCTOR	1	PAVCCZ
	L3028	J0JCC0000287	CHIP INDUCTOR	1	
	L3029	J0JYC0000331	CHIP INDUCTOR	1	PAVCCZ
	L3030	J0JYC0000331	CHIP INDUCTOR	1	PAVCCZ
	L4205	J0JHC0000045	CHIP INDUCTOR	1	
	L4206	G1C100MA0077	INDUCTION COIL	1	
	L4207	G1C3R3Z00005	INDUCTION COIL	1	
	L4208	J0JHC0000045	CHIP INDUCTOR	1	
	L4209	J0JHC0000045	CHIP INDUCTOR	1	
	L4210	J0JHC0000045	CHIP INDUCTOR	1	
	L4211	J0JHC0000045	CHIP INDUCTOR	1	
	L4212	J0JHC0000045	CHIP INDUCTOR	1	
	L4213	J0JHC0000045	CHIP INDUCTOR	1	
	L4214	G1C100MA0077	INDUCTION COIL	1	
	L4215	J0JYC0000068	CHIP INDUCTOR	1	
	L4217	J0JHC0000045	CHIP INDUCTOR	1	
	L4218	J0JHC0000045	CHIP INDUCTOR	1	
	L4219	G1C150MA0416	INDUCTION COIL	1	PAVCCZ
	L4220	J0JYD0000033	CHIP INDUCTOR	1	
	L4221	J0JYD0000033	CHIP INDUCTOR	1	
	L4222	J0JYD0000033	CHIP INDUCTOR	1	
	L4223	J0JYD0000033	CHIP INDUCTOR	1	
	L4224	J0JYD0000033	CHIP INDUCTOR	1	
	L4225	J0JYD0000033	CHIP INDUCTOR	1	
	L4700	J0JYC0000068	CHIP INDUCTOR	1	
	L4701	J0JYC0000068	CHIP INDUCTOR	1	
	L4702	J0JYC0000068	CHIP INDUCTOR	1	
	L4703	J0JYC0000068	CHIP INDUCTOR	1	
	L4704	J0JYC0000068	CHIP INDUCTOR	1	
	L4705	J0JYC0000068	CHIP INDUCTOR	1	
	L4706	J0JYC0000068	CHIP INDUCTOR	1	
	L4707	J0JYC0000068	CHIP INDUCTOR	1	
	L4708	J0JYC0000068	CHIP INDUCTOR	1	
	L4712	J0JHC0000045	CHIP INDUCTOR	1	
	L4715	J0JYC0000068	CHIP INDUCTOR	1	
	L4716	J0JYC0000068	CHIP INDUCTOR	1	
	L4717	J0JYC0000068	CHIP INDUCTOR	1	
	L4800	J0JYD0000033	CHIP INDUCTOR	1	
	L4801	J0JYD0000033	CHIP INDUCTOR	1	
	L4802	J0JYD0000033	CHIP INDUCTOR	1	
	L4803	J0JYD0000033	CHIP INDUCTOR	1	
	L4804	J0JYD0000033	CHIP INDUCTOR	1	
	L4805	J0JYD0000033	CHIP INDUCTOR	1	
	L5251	J0JCC0000278	CHIP INDUCTOR	1	
	L5301	G1C6R8MA0416	INDUCTION COIL	1	PAVCCZ
	L5481	J0JYC0000068	CHIP INDUCTOR	1	
	L5500	G1C2R2M00022	INDUCTION COIL	1	
	L5501	G1C3R3Z00005	INDUCTION COIL	1	
	L5502	G1C2R2Z00007	INDUCTION COIL	1	
	L5503	G1C3R3Z00004	INDUCTION COIL	1	
	L5504	G1C100MA0077	INDUCTION COIL	1	
	L5505	G1C100MA0077	INDUCTION COIL	1	
	L5611	G1C6R8MA0416	INDUCTION COIL	1	PAVCCZ
	L5800	J0JHC0000045	CHIP INDUCTOR	1	
	L5802	J0JHC0000045	CHIP INDUCTOR	1	
	L5803	J0JHC0000045	CHIP INDUCTOR	1	
	L5804	J0JHC0000045	CHIP INDUCTOR	1	
	L5810	J0JHC0000045	CHIP INDUCTOR	1	
	L5811	G1C6R8Z00010	INDUCTION COIL	1	
	L5813	G1C100MA0416	INDUCTION COIL	1	
	L5814	G1C100MA0416	INDUCTION COIL	1	
	L5815	J0JHC0000045	CHIP INDUCTOR	1	
	L5816	J0JHC0000045	CHIP INDUCTOR	1	
	L5817	J0JHC0000045	CHIP INDUCTOR	1	
	L5818	J0JHC0000045	CHIP INDUCTOR	1	
	L5821	J0JGC0000020	FILTER	1	
	L6700	G1C220MA0363	INDUCTION COIL	1	

Safety	Ref. No.	Part No.	Part Name & Description	Pcs	Remarks
	L6701	J0JJC0000015	CHIP INDUCTOR	1	
	L6702	G1C100MA0291	INDUCTION COIL	1	
	L6703	G1C4R7Z00014	INDUCTION COIL	1	
	L6704	G1C221ZA0037	INDUCTION COIL	1	PAVCCZ
	L6705	J0JJC0000015	CHIP INDUCTOR	1	
	L6706	J0JGC0000020	FILTER	1	
	L6707	J0JGC0000020	FILTER	1	
	L6708	J0JHC0000116	CHIP INDUCTOR	1	
	L8000	J0JCC0000287	CHIP INDUCTOR	1	
	L8001	J0JCC0000287	CHIP INDUCTOR	1	
	L8002	J0JCC0000287	CHIP INDUCTOR	1	
	L8003	J0JHC0000045	CHIP INDUCTOR	1	
	L8004	J0JHC0000021	CHIP INDUCTOR	1	
	L8005	J0JHC0000021	CHIP INDUCTOR	1	
	L8006	J0JCC0000287	CHIP INDUCTOR	1	
	L8007	J0JHC0000045	CHIP INDUCTOR	1	
	L8008	J0JCC0000287	CHIP INDUCTOR	1	
	L8009	J0JHC0000045	CHIP INDUCTOR	1	
	L8010	J0JCC0000287	CHIP INDUCTOR	1	
	L8011	J0JHC0000116	CHIP INDUCTOR	1	
	L8012	J0JCC0000287	CHIP INDUCTOR	1	
	L8013	J0JCC0000287	CHIP INDUCTOR	1	
	L8014	J0JCC0000287	CHIP INDUCTOR	1	
	L8015	J0JHC0000116	CHIP INDUCTOR	1	
	L8016	J0JHC0000116	CHIP INDUCTOR	1	
	L8017	J0JHC0000045	CHIP INDUCTOR	1	
	L8018	J0JHC0000045	CHIP INDUCTOR	1	
	L8019	J0JHC0000045	CHIP INDUCTOR	1	
	L8020	J0JCC0000287	CHIP INDUCTOR	1	
	L8021	J0JCC0000287	CHIP INDUCTOR	1	
	L8022	J0JHC0000045	CHIP INDUCTOR	1	
	L8023	J0JHC0000045	CHIP INDUCTOR	1	
	L8024	J0JCC0000287	CHIP INDUCTOR	1	
	L8100	J0JHC0000045	CHIP INDUCTOR	1	
	L8300	J0JHC0000045	CHIP INDUCTOR	1	
	L8302	J0JHC0000045	CHIP INDUCTOR	1	
	L8303	J0JHC0000045	CHIP INDUCTOR	1	
	L8304	J0JHC0000045	CHIP INDUCTOR	1	
	L8340	J0JDC0000002	CHIP INDUCTOR	1	
	L8341	K5H1622A0031	FUSE	1	
	L8342	D0GBR00Z0002	M 0 OHM J 1/10W	1	
	L8400	J0JHC0000045	CHIP INDUCTOR	1	
	L8401	J0JHC0000045	CHIP INDUCTOR	1	
	L8511	J0ZZB0000083	FILTER	1	PAVCCZ
	L8512	J0ZZB0000083	FILTER	1	PAVCCZ
	L8513	J0ZZB0000083	FILTER	1	PAVCCZ
	L8701	J0JHC0000045	CHIP INDUCTOR	1	
	L8702	J0JHC0000045	CHIP INDUCTOR	1	
	L8705	J0JHC0000045	CHIP INDUCTOR	1	
	L8706	J0JHC0000045	CHIP INDUCTOR	1	
	L8707	J0JHC0000045	CHIP INDUCTOR	1	
	L8708	J0JHC0000045	CHIP INDUCTOR	1	
	L8850	J0JHC0000045	CHIP INDUCTOR	1	
	L8920	J0JDC0000002	CHIP INDUCTOR	1	
	L9000	J0JHC0000117	CHIP INDUCTOR	1	
	L9001	J0JHC0000117	CHIP INDUCTOR	1	
	L9002	G1C2R2ZA0243	INDUCTION COIL	1	PAVCCZ
	L9003	G1C4R7Z00014	INDUCTION COIL	1	
	L9005	G1C6R8Z00008	INDUCTION COIL	1	
	L9006	G1C6R8Z00010	INDUCTION COIL	1	
	L9007	J0JHC0000117	CHIP INDUCTOR	1	
	L9008	J0JHC0000117	CHIP INDUCTOR	1	
	L9300	J0JHC0000117	CHIP INDUCTOR	1	
	L9301	J0JHC0000117	CHIP INDUCTOR	1	
	PA4206	K5H4022A0031	FUSE	1	
	PA5610	K5H4022A0031	FUSE	1	
	PA6700	K5H1022A0031	FUSE	1	
	Q2101	DSA200100L	TRANSISTOR	1	
	Q2109	DSA200100L	TRANSISTOR	1	
	Q2252	DSA200100L	TRANSISTOR	1	
	Q2253	B1AAF000002	TRANSISTOR	1	PAVCCZ

Safety	Ref. No.	Part No.	Part Name & Description	Pcs	Remarks
	Q2254	B1AAF000002	TRANSISTOR	1	PAVCCZ
	Q2255	DSC2001S0L	TRANSISTOR	1	
	Q2301	DSA200100L	TRANSISTOR	1	
	Q2510	DSC200100L	TRANSISTOR	1	
	Q2511	DSC200100L	TRANSISTOR	1	
	Q2512	DSC200100L	TRANSISTOR	1	
	Q2850	DSA200100L	TRANSISTOR	1	
	Q2851	DSC200100L	TRANSISTOR	1	
	Q3000	B1ABCF000231	TRANSISTOR	1	
	Q3001	B1ABCF000231	TRANSISTOR	1	
	Q3002	B1ABCF000231	TRANSISTOR	1	
	Q3003	B1ABCF000231	TRANSISTOR	1	
	Q3004	B1ABCF000231	TRANSISTOR	1	
	Q3005	B1ABCF000231	TRANSISTOR	1	
	Q3008	DSA200100L	TRANSISTOR	1	
	Q4201	B1MBEDA00015	FET	1	
	Q4204	DSC200100L	TRANSISTOR	1	
	Q4205	DSC200100L	TRANSISTOR	1	
	Q4512	B1HFCFA00026	TRANSISTOR	1	
	Q4513	DSA200100L	TRANSISTOR	1	
	Q4700	B1ABCF000231	TRANSISTOR	1	
	Q4701	B1ABCF000231	TRANSISTOR	1	
	Q4702	B1ABCF000231	TRANSISTOR	1	
	Q4703	B1ABCF000231	TRANSISTOR	1	
	Q4704	B1ABCF000231	TRANSISTOR	1	
	Q4705	B1ABCF000231	TRANSISTOR	1	
	Q4709	B1ABCF000231	TRANSISTOR	1	
	Q4710	B1ABCF000231	TRANSISTOR	1	
	Q4831	DSC2001S0L	TRANSISTOR	1	
	Q4832	DSC2001S0L	TRANSISTOR	1	
	Q5431	DSA200100L	TRANSISTOR	1	
	Q5432	DSC2001S0L	TRANSISTOR	1	
	Q5435	DSA200100L	TRANSISTOR	1	
	Q5436	DSC200100L	TRANSISTOR	1	
	Q5475	DSC2001S0L	TRANSISTOR	1	
	Q5478	DSC200100L	TRANSISTOR	1	
	Q5500	B1MBDDA00003	FET	1	
	Q5501	B1CFRD000048	FET	1	
	Q5502	B1MBDDA00003	FET	1	
	Q5503	B1MBEDA00015	FET	1	
	Q5504	B1CFRD000048	FET	1	
	Q5602	DSC2001S0L	TRANSISTOR	1	
	Q5603	DSC2001S0L	TRANSISTOR	1	
	Q5813	B1CFND000005	FET	1	
	Q5814	B1CFND000005	FET	1	
	Q5815	DSC200100L	TRANSISTOR	1	
	Q5816	DSC200100L	TRANSISTOR	1	
	Q8400	DSC200100L	TRANSISTOR	1	
	Q8401	DSC200100L	TRANSISTOR	1	
	Q9001	B1MBDDA00003	FET	1	
	Q9006	B1ABCF000231	TRANSISTOR	1	
	Q9007	B1CFRD000048	FET	1	
	Q9008	B1CFRD000048	FET	1	
	Q9800	B1ABCF000231	TRANSISTOR	1	
	Q9802	B1ABCF000231	TRANSISTOR	1	
	Q9900	B1ABCF000231	TRANSISTOR	1	
	Q9901	B1ABCF000231	TRANSISTOR	1	
	R0180	D0GA101JA015	M 100 OHM, J, 0.063W	1	
	R0907	EXB28V103JX	RESISTOR ARRAY	1	
	R0908	ERJ2GEJ103	M 10KOHM, J, 0.063W	1	
	R0913	ERJ2GEJ220	M 22 OHM, J, 0.063W	1	
	R0914	ERJ2GEJ220	M 22 OHM, J, 0.063W	1	
	R0915	D0GA472JA015	M 4.7KOHM, J, 0.063W	1	
	R0916	D0GA472JA015	M 4.7KOHM, J, 0.063W	1	
	R0917	ERJ2GEJ220	M 22 OHM, J, 0.063W	1	
	R0918	ERJ2GEJ220	M 22 OHM, J, 0.063W	1	

Safety	Ref. No.	Part No.	Part Name & Description	Pcs	Remarks
	R0935	ERJ2GEJ220	M 22 OHM, J, 0.063W	1	
	R0936	ERJ2GEJ220	M 22 OHM, J, 0.063W	1	
	R0947	DOGA680JA015	M 68 OHM, J, 0.063W	1	
	R0948	DOGA680JA015	M 68 OHM, J, 0.063W	1	
	R0949	DOGA680JA015	M 68 OHM, J, 0.063W	1	
	R0950	DOGA680JA015	M 68 OHM, J, 0.063W	1	
	R0951	DOGA680JA015	M 68 OHM, J, 0.063W	1	
	R0952	DOGA680JA015	M 68 OHM, J, 0.063W	1	
	R0955	DOGA222JA015	M 2.2KOHM, J, 0.063W	1	
	R0956	DOGA222JA015	M 2.2KOHM, J, 0.063W	1	
	R0957	DOGA332JA015	M 3.3KOHM, J, 0.063W	1	
	R0958	DOGA332JA015	M 3.3KOHM, J, 0.063W	1	
	R0959	DOGA222JA015	M 2.2KOHM, J, 0.063W	1	
	R0960	DOGA222JA015	M 2.2KOHM, J, 0.063W	1	
	R0971	ERJ2GEJ103	M 10KOHM, J, 0.063W	1	
	R0972	DOGAR00Z0001	C 0 OHM, 0.063W	1	
	R0973	DOGAR00Z0001	C 0 OHM, 0.063W	1	
	R0987	ERJ2GEJ103	M 10KOHM, J, 0.063W	1	
	R0988	DOGA272JA015	M 2.7KOHM, J, 0.063W	1	
	R0989	DOGA272JA015	M 2.7KOHM, J, 0.063W	1	
	R0993	ERJ2GEJ103	M 10KOHM, J, 0.063W	1	
	R996	ERJ2GEJ103	M 10KOHM, J, 0.063W	1	
	R997	ERJ2GEJ103	M 10KOHM, J, 0.063W	1	
	R998	ERJ2GEJ103	M 10KOHM, J, 0.063W	1	
	R999	ERJ2GEJ103	M 10KOHM, J, 0.063W	1	
	R1010	DOGB103JA057	M 10K OHM J 1/10W	1	
	R1153	DOGA471JA015	M 470OHM, J, 0.063W	1	
	R1163	DOGA105JA015	M 1M OHM, J, 0.063W	1	
	R1182	DOGA273JA015	M 27K OHM J, 0.063W	1	
	R1203	DOGA473JA015	M 47KOHM, J, 0.063W	1	
	R1209	DOGA472JA015	M 4.7KOHM, J, 0.063W	1	
	R1221	D1BB7151A055	M7.15KOHM, 1/10W	1	
	R1224	ERJ2GEJ103	M 10KOHM, J, 0.063W	1	
	R1225	ERJ2GEJ103	M 10KOHM, J, 0.063W	1	
	R1236	DOGA473JA015	M 47KOHM, J, 0.063W	1	
	R1237	ERJ2GEJ102X	M 1K OHM J 1/4W	1	
	R1243	DOGA473JA015	M 47KOHM, J, 0.063W	1	
	R1255	ERJ2GEJ102X	M 1K OHM J 1/4W	1	
	R1401	ERJ2GEJ104	M 100KOHM, J, 0.063W	1	
	R1406	DOGA683JA015	M 68KOHM, J, 0.063W	1	
	R1407	DOGA473JA015	M 47KOHM, J, 0.063W	1	
	R1409	ERJ2GEJ103	M 10KOHM, J, 0.063W	1	

Safety	Ref. No.	Part No.	Part Name & Description	Pcs	Remarks
	R1410	ERJ2GEJ103	M 10KOHM, J, 0.063W	1	
	R1411	ERJ2GEJ104	M 100KOHM, J, 0.063W	1	
	R1422	ERJ2GEJ104	M 100KOHM, J, 0.063W	1	
	R1423	ERJ2GEJ103	M 10KOHM, J, 0.063W	1	
	R1424	DOGA183JA015	M 18K OHM J 0.063W	1	
	R1425	ERJ2GEJ103	M 10KOHM, J, 0.063W	1	
	R1426	DOGA203JA015	M 20K OHM J 0.063W	1	
	R2053	D1BB1403A055	M 140KOHM, 1/10W	1	
	R2055	D1BB1403A055	M 140KOHM, 1/10W	1	
	R2069	ERJ2GEJ103	M 10KOHM, J, 0.063W	1	
	R2070	ERJ2GEJ103	M 10KOHM, J, 0.063W	1	
	R2101	DOGA332JA015	M 3.3KOHM, J, 0.063W	1	
	R2102	DOGA472JA015	M 4.7KOHM, J, 0.063W	1	
	R2103	ERJ2GEJ220	M 22 OHM, J, 0.063W	1	
	R2104	DOGA122JA015	M 1.2KOHM, J, 0.063W	1	
	R2107	DOGAR00Z0001	C 0 OHM, 0.063W	1	
	R2110	ERJ2GEJ220	M 22 OHM, J, 0.063W	1	
	R2121	DOGA681JA015	M680 OHM, J, 0.063W	1	
	R2135	ERJ2GEJ102X	M 1K OHM J 1/4W	1	
	R2139	ERJ2GEJ221	M 220 OHM, J, 0.063W	1	
	R2254	DOGA101JA015	M 100 OHM, J, 0.063W	1	
	R2255	DOGA473JA015	M 47KOHM, J, 0.063W	1	
	R2256	ERJ2GEJ103	M 10KOHM, J, 0.063W	1	
	R2257	DOGA105JA015	M 1M OHM, J, 0.063W	1	
	R2258	DOGA101JA015	M 100 OHM, J, 0.063W	1	
	R2259	DOGA101JA015	M 100 OHM, J, 0.063W	1	
	R2260	ERJ2GEJ103	M 10KOHM, J, 0.063W	1	
	R2263	ERJ2GEJ103	M 10KOHM, J, 0.063W	1	
	R2264	DOGA101JA015	M 100 OHM, J, 0.063W	1	
	R2301	ERJ2GEJ103	M 10KOHM, J, 0.063W	1	
	R2302	EXB28V220J	RESISTOR ARRAY	1	
	R2306	DOGA473JA015	M 47KOHM, J, 0.063W	1	
	R2307	DOGA472JA015	M 4.7KOHM, J, 0.063W	1	
	R2308	ERJ2GEJ221	M 220 OHM, J, 0.063W	1	
	R2309	DOGA222JA015	M 2.2KOHM, J, 0.063W	1	
	R2310	DOGA222JA015	M 2.2KOHM, J, 0.063W	1	
	R2318	ERJ8GEYJ3R3V	M 3.3 OHM, J, 1/8W	1	
	R2319	ERJ8GEYJ3R3V	M 3.3 OHM, J, 1/8W	1	
	R2320	ERJ8GEYJ3R3V	M 3.3 OHM, J, 1/8W	1	
	R2321	ERJ8GEYJ3R3V	M 3.3 OHM, J, 1/8W	1	
	R2402	EXB28V220J	RESISTOR ARRAY	1	
	R2418	ERJ8GEYJ3R3V	M 3.3 OHM, J, 1/8W	1	
	R2419	ERJ8GEYJ3R3V	M 3.3 OHM, J, 1/8W	1	

Safety	Ref. No.	Part No.	Part Name & Description	Pcs	Remarks
	R2500	D0GZ3R3JA020	M 3.3 OHM,J, 0.5W	1	
	R2501	D0GZ3R3JA020	M 3.3 OHM,J, 0.5W	1	
	R2510	ERJ3GEYJ470	M 47 OHM,J,1/16W	1	
	R2511	D0GB104JA041	M 100KOHM J 1/10W	1	
	R2512	D0GB224JA041	M 2.2KOHM,J,1/10W	1	
	R2513	ERJ3GEYJ223	M 22KOHM,J,1/16W	1	
	R2514	D0GB103JA057	M 10K OHM J 1/10W	1	
	R2515	D0GB473JA057	M 47KOHM,J,1/10W	1	
	R2516	D1BB6800A055	M 680 OHM, 1/10W	1	
	R2517	ERJ3GEYJ223	M 22KOHM,J,1/16W	1	
	R2518	D0GB473JA057	M 47KOHM,J,1/10W	1	
	R2519	D1BB1821A055	M1.82KOHM, 1/10W	1	
	R2527	D1BB1000A055	M 100 OHM, 1/10W	1	
	R2550	ERJ6ENF1432	M14.3KOHM, 1/10W	1	
	R2551	ERJ6ENF6651	M6.65KOHM, 1/10W	1	
	R2552	ERJ6ENF7151	M7.15KOHM, 1/10W	1	
	R2553	ERJ6ENF1741	M1.74KOHM, 1/10W	1	
	R2752	D0GA184JA015	M 180KOHM J 0.063W	1	
	R2753	D0GB102JA041	M 1KOHM,J,1/10W	1	
	R2780	D0GA101JA015	M 100 OHM, J,0.063W	1	
	R2781	ERJ3GEYJ101	M 100 OHM,J,1/16W	1	
	R2782	ERJ3GEYJ101	M 100 OHM,J,1/16W	1	
	R2783	ERJ3GEYJ101	M 100 OHM,J,1/16W	1	
	R2784	ERJ3GEYJ101	M 100 OHM,J,1/16W	1	
	R2785	ERJ6GEYJ101V	M 100 OHM,J,1/10W	1	
	R2786	ERJ6GEYJ101V	M 100 OHM,J,1/10W	1	
	R2788	D0GAR00Z0001	C 0 OHM, 0.063W	1	
	R2789	D0GAR00Z0001	C 0 OHM, 0.063W	1	
	R2801	D0GA390JA015	M 39 OHM, J,0.063W	1	
	R2802	D0GA203JA015	M 20K OHM J 0.063W	1	
	R2803	D1BB1001A055	M 1KOHM, 1/10W	1	
	R2805	D1BB7501A055	M7.50KOHM, 1/10W	1	
	R2806	D1BB2490A055	1	PAVCCZ	
	R2807	D0GA473JA015	M 47KOHM, J,0.063W	1	
	R2814	D0GA472JA015	M 4.7KOHM, J,0.063W	1	
	R2815	D0GA471JA015	M 470OHM, J,0.063W	1	
	R2816	D0GA473JA015	M 47KOHM, J,0.063W	1	
	R2818	ERJ2GEJ102X	M 1K OHM J 1/4W	1	
	R2819	D0GA473JA015	M 47KOHM, J,0.063W	1	
	R2824	D0GA101JA015	M 100 OHM, J,0.063W	1	
	R2830	D0GA473JA015	M 47KOHM, J,0.063W	1	
	R2831	D0GA473JA015	M 47KOHM, J,0.063W	1	
	R2850	ERJ3GEYJ101	M 100 OHM,J,1/16W	1	
	R2851	ERJ3GEYJ223	M 22KOHM,J,1/16W	1	
	R2853	D0GB102JA041	M 1KOHM,J,1/10W	1	
	R2854	D0GB104JA041	M 100KOHM J 1/10W	1	
	R2855	D0GB102JA041	M 1KOHM,J,1/10W	1	
	R2856	EXB28V472JX	RESISTOR ARRAY	1	
	R2907	D0GAR00Z0001	C 0 OHM, 0.063W	1	
	R2914	ERJ2GEJ103	M 10KOHM, J,0.063W	1	
	R2918	D0GAR00Z0001	C 0 OHM, 0.063W	1	

Safety	Ref. No.	Part No.	Part Name & Description	Pcs	Remarks
	R2926	D0GA680JA015	M 68 OHM, J,0.063W	1	
	R2930	D0GA153JA015	M 15K OHM J 0.063W	1	
	R2959	D0GBR00Z0002	M 0 OHM J 1/10W	1	
	R2960	ERJ2GEJ103	M 10KOHM, J,0.063W	1	
	R2961	D0GBR00Z0002	M 0 OHM J 1/10W	1	
	R3000	D0GA223JA015	M 22K OHM J 0.063W	1	
	R3001	D0GA223JA015	M 22K OHM J 0.063W	1	
	R3002	D0GA223JA015	M 22K OHM J 0.063W	1	
	R3003	D0GA223JA015	M 22K OHM J 0.063W	1	
	R3004	D0GA223JA015	M 22K OHM J 0.063W	1	
	R3005	D0GA223JA015	M 22K OHM J 0.063W	1	
	R3006	ERJ2GEJ104	M 100KOHM, J,0.063W	1	
	R3007	ERJ2GEJ104	M 100KOHM, J,0.063W	1	
	R3008	D0GA222JA015	M 2.2KOHM, J,0.063W	1	
	R3009	D0GA222JA015	M 2.2KOHM, J,0.063W	1	
	R3010	ERJ2GEJ104	M 100KOHM, J,0.063W	1	
	R3011	ERJ2GEJ104	M 100KOHM, J,0.063W	1	
	R3012	D0GA222JA015	M 2.2KOHM, J,0.063W	1	
	R3013	D0GA222JA015	M 2.2KOHM, J,0.063W	1	
	R3017	D0GAR00Z0001	C 0 OHM, 0.063W	1	
	R3019	D0GA222JA015	M 2.2KOHM, J,0.063W	1	
	R3021	D0GA222JA015	M 2.2KOHM, J,0.063W	1	
	R3024	ERJ2GEJ104	M 100KOHM, J,0.063W	1	
	R3025	ERJ2GEJ104	M 100KOHM, J,0.063W	1	
	R3028	D0GA331JA015	M 330 OHM, J,0.063W	1	
	R3029	D0GA331JA015	M 330 OHM, J,0.063W	1	
	R3030	D0GA101JA015	M 100 OHM, J,0.063W	1	
	R3041	D0GA331JA015	M 330 OHM, J,0.063W	1	
	R3042	D0GA331JA015	M 330 OHM, J,0.063W	1	
	R3072	ERJ6ENF1500	M 150 OHM, 1/10W	1	
	R3073	ERJ6ENF1500	M 150 OHM, 1/10W	1	
	R3074	ERJ6ENF1500	M 150 OHM, 1/10W	1	
	R3075	ERJ6ENF1500	M 150 OHM, 1/10W	1	
	R3076	ERJ6ENF1500	M 150 OHM, 1/10W	1	
	R3077	ERJ6ENF1500	M 150 OHM, 1/10W	1	
	R3079	ERJ6ENF1500	M 150 OHM, 1/10W	1	
	R3081	ERJ6ENF1500	M 150 OHM, 1/10W	1	
	R3082	ERJ6ENF1500	M 150 OHM, 1/10W	1	
	R3083	ERJ6ENF1500	M 150 OHM, 1/10W	1	
	R3084	ERJ6RED750	M 75 OHM, 1/10W	1	
	R3085	ERJ6RED750	M 75 OHM, 1/10W	1	
	R3086	ERJ6RED750	M 75 OHM, 1/10W	1	
	R3087	ERJ6ENF1500	M 150 OHM, 1/10W	1	
	R3089	D0GA680JA015	M 68 OHM, J,0.063W	1	
	R3091	D1BA2152A014	M21.5KOHM, 0.063W	1	PAVCCZ
	R3092	D1BA2152A014	M21.5KOHM, 0.063W	1	PAVCCZ
	R3094	D1BA1302A014	M 13KOHM, 0.063W	1	PAVCCZ
	R3097	ERJ6ENF1500	M 150 OHM, 1/10W	1	
	R3098	ERJ6ENF1500	M 150 OHM, 1/10W	1	

Safety	Ref. No.	Part No.	Part Name & Description	Pcs	Remarks
	R3100	ERJ2GEJ104	M 100KOHM, J,0.063W	1	
	R3102	ERJ6ENF1500	M 150 OHM, 1/10W	1	
	R3104	ERJ6ENF1500	M 150 OHM, 1/10W	1	
	R3106	DOGA273JA015	M 27K OHM J,0.063W	1	
	R3108	DOGA273JA015	M 27K OHM J,0.063W	1	
	R3112	DOGAR00Z0001	C 0 OHM, 0.063W	1	
	R3113	DOGAR00Z0001	C 0 OHM, 0.063W	1	
	R3115	ERJ2GEJ221	M 220 OHM, J,0.063W	1	
	R3116	ERJ2GEJ221	M 220 OHM, J,0.063W	1	
	R3117	ERJ2GEJ221	M 220 OHM, J,0.063W	1	
	R3118	ERJ2GEJ221	M 220 OHM, J,0.063W	1	
	R3120	DOGA331JA015	M 330 OHM, J,0.063W	1	
	R3121	EXB28V221J	RESISTOR ARRAY	1	
	R3123	EXB28V680JX	RESISTOR ARRAY	1	
	R3128	ERJ2GEJ221	M 220 OHM, J,0.063W	1	
	R3143	DOGA680JA015	M 68 OHM, J,0.063W	1	
	R3146	DOGA331JA015	M 330 OHM, J,0.063W	1	
	R3150	DOGA680JA015	M 68 OHM, J,0.063W	1	
	R3153	DOGA680JA015	M 68 OHM, J,0.063W	1	
	R3154	EXB28V221J	RESISTOR ARRAY	1	
	R3157	EXB28V221J	RESISTOR ARRAY	1	
	R3167	ERJ6RED750	M 75 OHM, 1/10W	1	
	R3169	ERJ2GEJ104	M 100KOHM, J,0.063W	1	
	R3172	ERJ6RED750	M 75 OHM, 1/10W	1	
	R3173	EXB28V221J	RESISTOR ARRAY	1	
	R3174	ERJ2GEJ104	M 100KOHM, J,0.063W	1	
	R3182	D1BA1302A014	M 13KOHM, 0.063W	1	PAVCCZ
	R3187	ERJ6ENF1500	M 150 OHM, 1/10W	1	
	R3188	ERJ6ENF1500	M 150 OHM, 1/10W	1	
	R3189	DOGA680JA015	M 68 OHM, J,0.063W	1	
	R3192	EXB28V820JX	RESISTOR ARRAY	1	
	R3193	ERJ6ENF1500	M 150 OHM, 1/10W	1	
	R3198	ERJ6ENF1500	M 150 OHM, 1/10W	1	
	R3204	ERJ6ENF1500	M 150 OHM, 1/10W	1	
	R3205	ERJ6ENF1500	M 150 OHM, 1/10W	1	
	R3206	ERJ2GEJ220	M 22 OHM, J,0.063W	1	
	R3207	ERJ2GEJ220	M 22 OHM, J,0.063W	1	
	R3213	ERJ6ENF1500	M 150 OHM, 1/10W	1	
	R3222	DOGAR00Z0001	C 0 OHM, 0.063W	1	
	R3224	DOGAR00Z0001	C 0 OHM, 0.063W	1	
	R3226	DOGA472JA015	M 4.7KOHM, J,0.063W	1	
	R3227	DOGA472JA015	M 4.7KOHM, J,0.063W	1	
	R3230	ERJ6RED750	M 75 OHM, 1/10W	1	
	R3231	DOGAR00Z0001	C 0 OHM, 0.063W	1	
	R3232	ERJ6RED750	M 75 OHM, 1/10W	1	
	R3233	DOGAR00Z0001	C 0 OHM, 0.063W	1	
	R3234	ERJ6RED750	M 75 OHM, 1/10W	1	
	R3235	DOGAR00Z0001	C 0 OHM, 0.063W	1	
	R3236	DOGA680JA015	M 68 OHM, J,0.063W	1	
	R3237	DOGA680JA015	M 68 OHM, J,0.063W	1	
	R3240	ERJ2GEJ221	M 220 OHM, J,0.063W	1	
	R3245	ERJ2GEJ221	M 220 OHM, J,0.063W	1	
	R3287	DOGA473JA015	M 47KOHM, J,0.063W	1	

Safety	Ref. No.	Part No.	Part Name & Description	Pcs	Remarks
	R3288	DOGA473JA015	M 47KOHM, J,0.063W	1	
	R3290	DOGA473JA015	M 47KOHM, J,0.063W	1	
	R3291	DOGA473JA015	M 47KOHM, J,0.063W	1	
	R3292	DOGA105JA015	M 1M OHM, J,0.063W	1	
	R3716	DOGA223JA015	M 22K OHM J 0.063W	1	
	R3717	DOGA223JA015	M 22K OHM J 0.063W	1	
	R4200	DOGA2R2JA014	M 2.2OHM, J,0.063W	1	
	R4207	DOGA223JA015	M 22K OHM J 0.063W	1	
	R4208	DOGA683JA015	M 68KOHM, J,0.063W	1	
	R4222	ERJ2GEJ103	M 10KOHM, J,0.063W	1	
	R4223	D1BB4301A087	M4.3 KOHM, 1/10W	1	PAVCCZ
	R4224	D1BB1002A087	M 10KOHM, 1/10W	1	
	R4225	D1BB4700A055	M 470 OHM, 1/10W	1	
	R4227	D1BB2002A055	M 20KOHM, 1/10W	1	
	R4228	DOGAR00Z0001	C 0 OHM, 0.063W	1	
	R4229	ERJ2GEJ102X	M 1K OHM J 1/4W	1	
	R4230	DOGBR00Z0002	M 0 OHM J 1/10W	1	
	R4234	DOGA473JA015	M 47KOHM, J,0.063W	1	
	R4235	ERJ2GEJ103	M 10KOHM, J,0.063W	1	
	R4241	DOGA101JA015	M 100 OHM, J,0.063W	1	
	R4242	DOGA101JA015	M 100 OHM, J,0.063W	1	
	R4243	DOGA101JA015	M 100 OHM, J,0.063W	1	
	R4244	DOGA101JA015	M 100 OHM, J,0.063W	1	
	R4245	DOGA101JA015	M 100 OHM, J,0.063W	1	
	R4246	DOGA101JA015	M 100 OHM, J,0.063W	1	
	R4247	DOGA101JA015	M 100 OHM, J,0.063W	1	
	R4248	DOGA101JA015	M 100 OHM, J,0.063W	1	
	R4249	DOGA101JA015	M 100 OHM, J,0.063W	1	
	R4250	DOGA101JA015	M 100 OHM, J,0.063W	1	
	R4251	DOGA101JA015	M 100 OHM, J,0.063W	1	
	R4252	DOGA101JA015	M 100 OHM, J,0.063W	1	
	R4256	ERJ2GEJ220	M 22 OHM, J,0.063W	1	
	R4257	ERJ2GEJ220	M 22 OHM, J,0.063W	1	
	R4258	DOGA222JA015	M 2.2KOHM, J,0.063W	1	
	R4259	DOGA222JA015	M 2.2KOHM, J,0.063W	1	
	R4260	DOGA680JA015	M 68 OHM, J,0.063W	1	
	R4261	ERJ6GEYJ101V	M 100 OHM, J,1/10W	1	
	R4262	DOGA222JA015	M 2.2KOHM, J,0.063W	1	
	R4263	DOGA390JA015	M 39 OHM, J,0.063W	1	
	R4264	DOGA562JA015	M 5.2KOHM, J,0.063W	1	
	R4265	D1BB1001A055	M 1KOHM, 1/10W	1	
	R4266	D1BB3001A055	M 3.0KOHM, 1/10W	1	PAVCCZ
	R4267	D1BB1800A055	M180 OHM, 1/10W	1	PAVCCZ
	R4268	ERJ2GEJ102X	M 1K OHM J 1/4W	1	
	R4269	DOGA473JA015	M 47KOHM, J,0.063W	1	

Safety	Ref. No.	Part No.	Part Name & Description	Pcs	Remarks
	R4313	D1BA1001A014	M 1KOHM, 0.063W	1	
	R4314	D1BA1001A014	M 1KOHM, 0.063W	1	
	R4315	ERJ2GEJ103	M 10KOHM, J, 0.063W	1	
	R4316	ERJ2GEJ103	M 10KOHM, J, 0.063W	1	
	R4317	ERJ2GEJ103	M 10KOHM, J, 0.063W	1	
	R4318	DOGA331JA015	M 33 OHM, J, 0.063W	1	
	R4320	DOGA330JA015	M 33 OHM, J, 0.063W	1	
	R4321	DOGA330JA015	M 33 OHM, J, 0.063W	1	
	R4322	DOGA330JA015	M 33 OHM, J, 0.063W	1	
	R4323	DOGA330JA015	M 33 OHM, J, 0.063W	1	
	R4324	DOGA330JA015	M 33 OHM, J, 0.063W	1	
	R4325	DOGA330JA015	M 33 OHM, J, 0.063W	1	
	R4326	DOGA330JA015	M 33 OHM, J, 0.063W	1	
	R4327	DOGA330JA015	M 33 OHM, J, 0.063W	1	
	R4328	DOGA330JA015	M 33 OHM, J, 0.063W	1	
	R4329	DOGA330JA015	M 33 OHM, J, 0.063W	1	
	R4330	DOGA330JA015	M 33 OHM, J, 0.063W	1	
	R4331	DOGA330JA015	M 33 OHM, J, 0.063W	1	
	R4332	DOGA330JA015	M 33 OHM, J, 0.063W	1	
	R4333	DOGA330JA015	M 33 OHM, J, 0.063W	1	
	R4334	DOGA330JA015	M 33 OHM, J, 0.063W	1	
	R4335	DOGA330JA015	M 33 OHM, J, 0.063W	1	
	R4336	DOGA330JA015	M 33 OHM, J, 0.063W	1	
	R4337	DOGA330JA015	M 33 OHM, J, 0.063W	1	
	R4338	DOGA330JA015	M 33 OHM, J, 0.063W	1	
	R4339	DOGA330JA015	M 33 OHM, J, 0.063W	1	
	R4340	DOGA330JA015	M 33 OHM, J, 0.063W	1	
	R4341	DOGA330JA015	M 33 OHM, J, 0.063W	1	
	R4342	DOGA680JA015	M 68 OHM, J, 0.063W	1	
	R4344	D1BA1001A014	M 1KOHM, 0.063W	1	
	R4345	D1BA1001A014	M 1KOHM, 0.063W	1	
	R4346	DOGA330JA015	M 33 OHM, J, 0.063W	1	
	R4347	DOGA330JA015	M 33 OHM, J, 0.063W	1	
	R4548	ERJ2GEJ220	M 22 OHM, J, 0.063W	1	
	R4549	DOGA151JA015	M 150 OHM, J, 0.063W	1	
	R4550	DOGA151JA015	M 150 OHM, J, 0.063W	1	
	R4551	DOGA151JA015	M 150 OHM, J, 0.063W	1	
	R4552	DOGA560JA015	M 56 OHM, J, 0.063W	1	
	R4553	ERJ2GEJ103	M 10KOHM, J, 0.063W	1	
	R4554	ERJ2GEJ102X	M 1K OHM J 1/4W	1	
	R4557	DOGAR00Z0001	C 0 OHM, 0.063W	1	
	R4563	ERJ2GEJ103	M 10KOHM, J, 0.063W	1	
	R4597	DOGA152JA015	M 1.5KOHM, J, 0.063W	1	

Safety	Ref. No.	Part No.	Part Name & Description	Pcs	Remarks
	R4598	DOGA152JA015	M 1.5KOHM, J, 0.063W	1	
	R4599	DOGA473JA015	M 47KOHM, J, 0.063W	1	
	R4651	ERJ2GEJ220	M 22 OHM, J, 0.063W	1	
	R4655	ERJ2GEJ220	M 22 OHM, J, 0.063W	1	
	R4659	ERJ2GEJ220	M 22 OHM, J, 0.063W	1	
	R4663	ERJ2GEJ220	M 22 OHM, J, 0.063W	1	
	R4666	DOGA330JA015	M 33 OHM, J, 0.063W	1	
	R4668	DOGA330JA015	M 33 OHM, J, 0.063W	1	
	R4670	DOGA330JA015	M 33 OHM, J, 0.063W	1	
	R4672	DOGA330JA015	M 33 OHM, J, 0.063W	1	
	R4676	ERJ2GEJ102X	M 1K OHM J 1/4W	1	
	R4677	DOGA122JA015	M 1.2KOHM, J, 0.063W	1	
	R4702	ERJ2GEJ103	M 10KOHM, J, 0.063W	1	
	R4703	DOGA330JA015	M 33 OHM, J, 0.063W	1	
	R4704	DOGA473JA015	M 47KOHM, J, 0.063W	1	
	R4706	ERJ2GEJ103	M 10KOHM, J, 0.063W	1	
	R4707	DOGA473JA015	M 47KOHM, J, 0.063W	1	
	R4708	ERJ2GEJ103	M 10KOHM, J, 0.063W	1	
	R4709	ERJ2GEJ103	M 10KOHM, J, 0.063W	1	
	R4710	DOGA473JA015	M 47KOHM, J, 0.063W	1	
	R4711	ERJ2GEJ102X	M 1K OHM J 1/4W	1	
	R4712	DOGA473JA015	M 47KOHM, J, 0.063W	1	
	R4715	ERJ2GEJ103	M 10KOHM, J, 0.063W	1	
	R4716	DOGA330JA015	M 33 OHM, J, 0.063W	1	
	R4717	DOGA473JA015	M 47KOHM, J, 0.063W	1	
	R4719	ERJ2GEJ103	M 10KOHM, J, 0.063W	1	
	R4720	DOGA473JA015	M 47KOHM, J, 0.063W	1	
	R4721	ERJ2GEJ103	M 10KOHM, J, 0.063W	1	
	R4722	ERJ2GEJ103	M 10KOHM, J, 0.063W	1	
	R4723	DOGA473JA015	M 47KOHM, J, 0.063W	1	
	R4724	ERJ2GEJ102X	M 1K OHM J 1/4W	1	
	R4725	DOGA473JA015	M 47KOHM, J, 0.063W	1	
	R4728	ERJ2GEJ103	M 10KOHM, J, 0.063W	1	
	R4729	DOGA330JA015	M 33 OHM, J, 0.063W	1	
	R4730	DOGA473JA015	M 47KOHM, J, 0.063W	1	
	R4732	ERJ2GEJ103	M 10KOHM, J, 0.063W	1	
	R4733	DOGA473JA015	M 47KOHM, J, 0.063W	1	
	R4734	ERJ2GEJ103	M 10KOHM, J, 0.063W	1	
	R4735	ERJ2GEJ103	M 10KOHM, J, 0.063W	1	
	R4736	DOGA473JA015	M 47KOHM, J, 0.063W	1	
	R4737	ERJ2GEJ102X	M 1K OHM J 1/4W	1	
	R4738	DOGA473JA015	M 47KOHM, J, 0.063W	1	

Safety	Ref. No.	Part No.	Part Name & Description	Pcs	Remarks
	R4739	ERJ2GEJ220	M 22 OHM, J,0.063W	1	
	R4740	DOGA680JA015	M 68 OHM, J,0.063W	1	
	R4741	DOGA680JA015	M 68 OHM, J,0.063W	1	
	R4742	DOGA680JA015	M 68 OHM, J,0.063W	1	
	R4743	DOGA680JA015	M 68 OHM, J,0.063W	1	
	R4744	DOGA680JA015	M 68 OHM, J,0.063W	1	
	R4745	DOGA680JA015	M 68 OHM, J,0.063W	1	
	R4748	DOGA680JA015	M 68 OHM, J,0.063W	1	
	R4749	DOGA680JA015	M 68 OHM, J,0.063W	1	
	R4750	DOGA680JA015	M 68 OHM, J,0.063W	1	
	R4751	DOGA680JA015	M 68 OHM, J,0.063W	1	
	R4762	DOGA680JA015	M 68 OHM, J,0.063W	1	
	R4763	ERJ2GEJ104	M 100KOHM, J,0.063W	1	
	R4764	ERJ2GEJ104	M 100KOHM, J,0.063W	1	
	R4765	D1BB4701A055	M 4.7KOHM, 1/10W	1	
	R4767	ERJ2GEJ104	M 100KOHM, J,0.063W	1	
	R4770	ERJ2GEJ104	M 100KOHM, J,0.063W	1	
	R4771	ERJ2GEJ104	M 100KOHM, J,0.063W	1	
	R4775	D1BA1001A014	M 1KOHM, 0.063W	1	
	R4776	DOGA680JA015	M 68 OHM, J,0.063W	1	
	R4777	DOGA680JA015	M 68 OHM, J,0.063W	1	
	R4778	D1BA1001A014	M 1KOHM, 0.063W	1	
	R4781	DOGA680JA015	M 68 OHM, J,0.063W	1	
	R4783	DOGA473JA015	M 47KOHM, J,0.063W	1	
	R4785	DOGA680JA015	M 68 OHM, J,0.063W	1	
	R4788	ERJ2GEJ103	M 10KOHM, J,0.063W	1	
	R4789	DOGA330JA015	M 33 OHM, J,0.063W	1	
	R4790	DOGA473JA015	M 47KOHM, J,0.063W	1	
	R4792	ERJ2GEJ103	M 10KOHM, J,0.063W	1	
	R4793	DOGA473JA015	M 47KOHM, J,0.063W	1	
	R4794	ERJ2GEJ103	M 10KOHM, J,0.063W	1	
	R4795	ERJ2GEJ103	M 10KOHM, J,0.063W	1	
	R4796	DOGA473JA015	M 47KOHM, J,0.063W	1	
	R4797	ERJ2GEJ102X	M 1K OHM J 1/4W	1	
	R4798	DOGA473JA015	M 47KOHM, J,0.063W	1	
	R4799	DOGA680JA015	M 68 OHM, J,0.063W	1	
	R4824	DOGA473JA015	M 47KOHM, J,0.063W	1	
	R4833	ERJ2GEJ104	M 100KOHM, J,0.063W	1	
	R4834	ERJ2GEJ102X	M 1K OHM J 1/4W	1	
	R4835	ERJ2GEJ103	M 10KOHM, J,0.063W	1	
	R4841	ERJ2GEJ104	M 100KOHM, J,0.063W	1	
	R4842	ERJ2GEJ102X	M 1K OHM J 1/4W	1	
	R4844	DOGA101JA015	M 100 OHM, J,0.063W	1	

Safety	Ref. No.	Part No.	Part Name & Description	Pcs	Remarks
	R4853	ERJ2GEJ104	M 100KOHM, J,0.063W	1	
	R4854	ERJ2GEJ104	M 100KOHM, J,0.063W	1	
	R4856	ERJ2GEJ103	M 10KOHM, J,0.063W	1	
	R4857	DOGA473JA015	M 47KOHM, J,0.063W	1	
	R5155	DOGA101JA015	M 100 OHM, J,0.063W	1	
	R5253	ERJ2GEJ103	M 10KOHM, J,0.063W	1	
	R5254	D1BA5361A014	M5.36KOHM, 0.063W	1	PAVCCZ
	R5255	D1BA1001A014	M 1KOHM, 0.063W	1	
	R5301	DOGA2R2JA014	M 2.2OHM, J,0.063W	1	
	R5307	D1BB1202A087	M 12KOHM, 1/10W	1	PAVCCZ
	R5308	D1BB2201A087	M 2.2KOHM, 1/10W	1	
	R5309	D1BB5601A055	M 5.6KOHM, 1/10W	1	
	R5312	DOGA150JA015	M 15 OHM, J,0.063W	1	PAVCCZ
	R5315	DOGB102JA041	M 1KOHM, J,1/10W	1	
	R5412	DOGA273JA015	M 27K OHM J, 0.063W	1	
	R5413	ERJ2GEJ104	M 100KOHM, J,0.063W	1	
	R5418	ERJ2GEJ104	M 100KOHM, J,0.063W	1	
	R5419	DOGA683JA015	M 68KOHM, J,0.063W	1	
	R5431	DOGA222JA015	M 2.2KOHM, J,0.063W	1	
	R5432	DOGA332JA015	M 3.3KOHM, J,0.063W	1	
	R5433	ERJ2GEJ102X	M 1K OHM J 1/4W	1	
	R5434	ERJ2GEJ103	M 10KOHM, J,0.063W	1	
	R5435	ERJ6GEYJ221V	M 220 OHM, J,1/10W	1	
	R5437	DOGA222JA015	M 2.2KOHM, J,0.063W	1	
	R5438	DOGA472JA015	M 4.7KOHM, J,0.063W	1	
	R5439	ERJ6GEYJ471	M 470 OHM, J,1/10W	1	
	R5441	ERJ2GEJ221	M 220 OHM, J,0.063W	1	
	R5443	ERJ2GEJ221	M 220 OHM, J,0.063W	1	
	R5444	ERJ2GEJ104	M 100KOHM, J,0.063W	1	
	R5445	ERJ2GEJ104	M 100KOHM, J,0.063W	1	
	R5451	ERJ6GEYJ102V	M 1K OHM J 1/10W	1	
	R5452	ERJ6GEYJ104V	M 100KOHM, J,1/10W	1	
	R5453	ERJ6GEYJ472V	M 4.7K OHM J 1/10W	1	
	R5454	ERJ6GEYJ472V	M 4.7K OHM J 1/10W	1	
	R5455	ERJ6GEYJ472V	M 4.7K OHM J 1/10W	1	
	R5456	ERJ6GEYJ472V	M 4.7K OHM J 1/10W	1	
	R5458	ERJ6GEYJ472V	M 4.7K OHM J 1/10W	1	
	R5459	ERJ6GEYJ472V	M 4.7K OHM J 1/10W	1	
	R5460	ERJ6GEYJ472V	M 4.7K OHM J 1/10W	1	
	R5461	ERJ6GEYJ472V	M 4.7K OHM J 1/10W	1	
	R5462	ERJ6GEYJ472V	M 4.7K OHM J 1/10W	1	
	R5470	DOGA222JA015	M 2.2KOHM, J,0.063W	1	
	R5471	DOGA101JA015	M 100 OHM, J,0.063W	1	

Safety	Ref. No.	Part No.	Part Name & Description	Pcs	Remarks
	R5472	D0GA470JA015	M 47 OHM, J, 0.063W	1	
	R5473	D0GA473JA015	M 47KOHM, J, 0.063W	1	
	R5474	ERJ2GEJ103	M 10KOHM, J, 0.063W	1	
	R5475	D0GA123JA015	M 12K OHM J 0.063W	1	
	R5485	D0GA101JA015	M 100 OHM, J, 0.063W	1	
	R5486	D0GA473JA015	M 47KOHM, J, 0.063W	1	
	R5497	ERJ6GEYJ150V	M 15 OHM, J, 1/10W	1	
	R5504	D1BB1241A087	M1.24KOHM, 1/10W	1	
	R5505	D1BB1241A087	M1.24KOHM, 1/10W	1	
	R5506	D1BB2101A087	M 2.1KOHM, 1/10W	1	
	R5507	D1BB1101A055	M 1.1 KOHM, 1/10W	1	
	R5508	D1BB8200A087	M 820 OHM, 1/10W	1	
	R5509	D1BB8200A087	M 820 OHM, 1/10W	1	
	R5510	D1BB2001A087	M 2KOHM, 1/10W	1	
	R5511	D1BB3601A055	M 3.6KOHM, 1/10W	1	
	R5512	D0GB100JA041	M 10 OHM J 1/10W	1	
	R5513	D0GB100JA041	M 10 OHM J 1/10W	1	
	R5514	D0GB100JA041	M 10 OHM J 1/10W	1	
	R5515	D0GB100JA041	M 10 OHM J 1/10W	1	
	R5516	D0GAR00Z0001	C 0 OHM, 0.063W	1	
	R5517	D1BB1002A055	M 10KOHM, 1/10W	1	
	R5518	D0GAR00Z0001	C 0 OHM, 0.063W	1	
	R5519	D0GAR00Z0001	C 0 OHM, 0.063W	1	
	R5520	D1BB1502A055	M 15KOHM, 1/10W	1	
	R5521	D0GAR00Z0001	C 0 OHM, 0.063W	1	
	R5522	D1BB2002A055	M 20KOHM, 1/10W	1	
	R5523	D1BB2402A055	M 24KOHM, 1/10W	1	
	R5526	ERJ2GEJ103	M 10KOHM, J, 0.063W	1	
	R5527	ERJ6GEYJ472V	M 4.7K OHM J 1/10W	1	
	R5528	ERJ6GEYJ472V	M 4.7K OHM J 1/10W	1	
	R5533	ERJ6GEYJ471	M 470 OHM, J, 1/10W	1	
	R5535	ERJ2GEJ103	M 10KOHM, J, 0.063W	1	
	R5538	ERJ6GEYJ471	M 470 OHM, J, 1/10W	1	
	R5540	ERJ6GEYJ472V	M 4.7K OHM J 1/10W	1	
	R5558	D1BA2202A014	M 22KOHM, 0.063W	1	
	R5563	D1BA6801A014	M6.8 KOHM, 0.063W	1	
	R5569	ERJ6GEYJ472V	M 4.7K OHM J 1/10W	1	
	R5571	D0GA683JA015	M 68KOHM, J, 0.063W	1	
	R5600	D0GA680JA015	M 68 OHM, J, 0.063W	1	
	R5603	D0GA2R2JA014	M 2.20HM, J, 0.063W	1	
	R5607	D0GA223JA015	M 22K OHM J 0.063W	1	
	R5608	D0GA683JA015	M 68KOHM, J, 0.063W	1	
	R5609	ERJ2GEJ103	M 10KOHM, J, 0.063W	1	
	R5610	D0GA473JA015	M 47KOHM, J, 0.063W	1	
	R5611	D0GA222JA015	M 2.2KOHM, J, 0.063W	1	
	R5612	ERJ2GEJ103	M 10KOHM, J, 0.063W	1	
	R5613	D0GA473JA015	M 47KOHM, J, 0.063W	1	
	R5640	ERJ2GEJ103	M 10KOHM, J, 0.063W	1	
	R5641	ERJ2GEJ103	M 10KOHM, J, 0.063W	1	
	R5642	ERJ2GEJ104	M 100KOHM, J, 0.063W	1	

Safety	Ref. No.	Part No.	Part Name & Description	Pcs	Remarks
	R5643	ERJ2GEJ103	M 10KOHM, J, 0.063W	1	
	R5644	D0GA752JA015	M7.5KOHM, J, 0.063W	1	
	R5681	D1BB1002A055	M 10KOHM, 1/10W	1	
	R5682	D1BB1501A055	M1.50KOHM, 1/10W	1	
	R5683	D1BB6201A055	M6.20KOHM, 1/10W	1	
	R5724	D0GA150JA015	M 15 OHM, J, 0.063W	1	PAVCCZ
	R5826	D0GA470JA015	M 47 OHM, J, 0.063W	1	
	R5827	D0GA470JA015	M 47 OHM, J, 0.063W	1	
	R5828	D0GA223JA015	M 22K OHM J 0.063W	1	
	R5829	D0GA470JA015	M 47 OHM, J, 0.063W	1	
	R5830	D0GA470JA015	M 47 OHM, J, 0.063W	1	
	R5839	D0GA680JA015	M 68 OHM, J, 0.063W	1	
	R5840	ERJ2GEJ102X	M 1K OHM J 1/4W	1	
	R5841	D0GA680JA015	M 68 OHM, J, 0.063W	1	
	R5863	D0GA223JA015	M 22K OHM J 0.063W	1	
	R5864	D0GA223JA015	M 22K OHM J 0.063W	1	
	R5865	D0GA223JA015	M 22K OHM J 0.063W	1	
	R5868	D1BA2202A014	M 22KOHM, 0.063W	1	
	R5869	D1BA6801A014	M6.8 KOHM, 0.063W	1	
	R5871	D0GZ4R7JA020	M 4.7 OHM, J, 0.5W	1	
	R5872	D0GZ3R3JA020	M 3.3 OHM, J, 0.5W	1	
	R5874	D0GZ4R7JA020	M 4.7 OHM, J, 0.5W	1	
	R5875	D0GZ3R3JA020	M 3.3 OHM, J, 0.5W	1	
	R5880	D0GA101JA015	M 100 OHM, J, 0.063W	1	
	R5881	D0GA101JA015	M 100 OHM, J, 0.063W	1	
	R5885	D0GA393JA015	M 39KOHM, J, 0.063W	1	
	R5886	D0GA223JA015	M 22K OHM J 0.063W	1	
	R5887	ERJ2GEJ103	M 10KOHM, J, 0.063W	1	
	R5888	ERJ2GEJ103	M 10KOHM, J, 0.063W	1	
	R5900	D1BB3301A055	M 3.3KOHM, 1/10W	1	
	R5901	D1BB1002A055	M 10KOHM, 1/10W	1	
	R5902	D1BB2702A055	M 27KOHM, 1/10W	1	
	R5903	D1BB2002A055	M 20KOHM, 1/10W	1	
	R5904	ERJ2GEJ220	M 22 OHM, J, 0.063W	1	
	R5906	ERJ2GEJ104	M 100KOHM, J, 0.063W	1	
	R5907	D1BB5602A055	M 56KOHM, 1/10W	1	
	R5910	D1BB1822A055	M18.2KOHM, 1/10W	1	
	R5911	ERJ2GEJ220	M 22 OHM, J, 0.063W	1	
	R5913	ERJ2GEJ104	M 100KOHM, J, 0.063W	1	
	R5914	D1BB5602A055	M 56KOHM, 1/10W	1	
	R5915	D1BB6341A055	M6.34KOHM, 1/10W	1	
	R5917	D1BA1503A014	M 15KOHM, 0.063W	1	
	R5918	D1BA3302A014	M 33KOHM, 0.063W	1	
	R5919	D1BA1503A014	M 15KOHM, 0.063W	1	
	R5921	D1BA3302A014	M 33KOHM, 0.063W	1	
	R5923	ERJ2GEJ102X	M 1K OHM J 1/4W	1	
	R6700	D0GBR00Z0002	M 0 OHM J 1/10W	1	
	R6701	D0GB103JA057	M 10K OHM J 1/10W	1	
	R6702	D0GB103JA057	M 10K OHM J 1/10W	1	

Safety	Ref. No.	Part No.	Part Name & Description	Pcs	Remarks
	R6703	ERJ3GEYJ470	M 47 OHM,J,1/16W	1	
	R6704	ERJ3GEYJ470	M 47 OHM,J,1/16W	1	
	R6705	D0GB163JA041	M 16K OHM J 1/10W	1	PAVCCZ
	R6706	D0GBR00Z0002	M 0 OHM J 1/10W	1	
	R6707	ERJ8GEYJ101V	M 100 OHM, J,1/8W	1	
	R6709	ERJ12YJ150	M 15 OHM,J, 1/2W	1	
	R6710	ERJ3GEYJ470	M 47 OHM,J,1/16W	1	
	R6711	ERJ3GEYJ470	M 47 OHM,J,1/16W	1	
	R6712	ERJ8GEYJ3R3V	M 3.3 OHM, J,1/8W	1	
	R6713	D1BA4702A014	M 47KOHM, 0.063W	1	PAVCCZ
	R6714	D1BA1502A014	M 15KOHM, 0.063W	1	PAVCCZ
	R6722	ERJ3GEYJ470	M 47 OHM,J,1/16W	1	
	R6723	D0GB104JA041	M 100KOHM J 1/10W	1	
	R6724	ERJ3GEYJ101	M 100 OHM,J,1/16W	1	
	R6725	D1BB1002A055	M 10KOHM, 1/10W	1	
	R6726	D1BB2201A055	M 2.2KOHM, 1/10W	1	
	R6727	D1BB4700A055	M 470 OHM, 1/10W	1	
	R6728	ERJ8GEYJ100	M 10 OHM, J,1/8W	1	
	R6729	ERJ8GEYJ100	M 10 OHM, J,1/8W	1	
	R6730	D0GB392JA041	M 3.9KOHM,J,1/10W	1	
	R6739	D0GBR00Z0002	M 0 OHM J 1/10W	1	
	R6740	D0GBR00Z0002	M 0 OHM J 1/10W	1	
	R6741	D0GBR00Z0002	M 0 OHM J 1/10W	1	
	R6742	D0GBR00Z0002	M 0 OHM J 1/10W	1	
	R6743	D0GBR00Z0002	M 0 OHM J 1/10W	1	
	R6744	D0GBR00Z0002	M 0 OHM J 1/10W	1	
	R6745	D0GBR00Z0002	M 0 OHM J 1/10W	1	
	R6746	D0GBR00Z0002	M 0 OHM J 1/10W	1	
	R6747	D0GBR00Z0002	M 0 OHM J 1/10W	1	
	R6748	D0GBR00Z0002	M 0 OHM J 1/10W	1	
	R6749	D0GBR00Z0002	M 0 OHM J 1/10W	1	
	R6750	D0GB222JA041	M 2.2KOHM,J,1/10W	1	
	R6751	D0GB222JA041	M 2.2KOHM,J,1/10W	1	
	R6753	D0GBR00Z0002	M 0 OHM J 1/10W	1	
	R6754	D0GB2R2JA057	M 2.2OHM J 1/10W	1	
	R6757	D0GBR00Z0002	M 0 OHM J 1/10W	1	
	R6758	D0GB103JA057	M 10K OHM J 1/10W	1	
	R6759	D0GB680JA041	M 68 OHM J 1/10W	1	
	R6760	D0GB680JA041	M 68 OHM J 1/10W	1	
	R6761	D0GB680JA041	M 68 OHM J 1/10W	1	
	R6762	D0GB680JA041	M 68 OHM J 1/10W	1	
	R6763	D0GB680JA041	M 68 OHM J 1/10W	1	
	R6764	D0GB680JA041	M 68 OHM J 1/10W	1	
	R6765	D0GB680JA041	M 68 OHM J 1/10W	1	
	R6766	D0GB680JA041	M 68 OHM J 1/10W	1	
	R6767	D0GB330JA041	M 33 OHM J 1/10W	1	
	R6768	D0GB330JA041	M 33 OHM J 1/10W	1	
	R6769	ERJ3GEYJ470	M 47 OHM,J,1/16W	1	
	R8000	D0GA331JA015	M 330 OHM, J,0.063W	1	
	R8031	D0GA222JA015	M 2.2KOHM, J,0.063W	1	
	R8100	ERJ2GEJ221	M 220 OHM, J,0.063W	1	
	R8102	ERJ2GEJ103	M 10KOHM, J,0.063W	1	
	R8103	ERJ2GEJ103	M 10KOHM, J,0.063W	1	
	R8105	D0GAR00Z0001	C 0 OHM, 0.063W	1	
	R8109	ERJ2GEJ103	M 10KOHM, J,0.063W	1	
	R8110	ERJ2GEJ103	M 10KOHM, J,0.063W	1	
	R8111	D0GA560JA015	M 56 OHM, J,0.063W	1	
	R8112	D0GA560JA015	M 56 OHM, J,0.063W	1	

Safety	Ref. No.	Part No.	Part Name & Description	Pcs	Remarks
	R8114	D0GA560JA015	M 56 OHM, J,0.063W	1	
	R8115	D0GA560JA015	M 56 OHM, J,0.063W	1	
	R8116	D0GA560JA015	M 56 OHM, J,0.063W	1	
	R8117	ERJ2GEJ104	M 100KOHM, J,0.063W	1	
	R8119	ERJ2GEJ103	M 10KOHM, J,0.063W	1	
	R8120	D0GAR00Z0001	C 0 OHM, 0.063W	1	
	R8240	D1BA2400A014	M240 OHM, 0.063W	1	
	R8246	D0GA330JA015	M 33 OHM, J,0.063W	1	
	R8247	D0GA330JA015	M 33 OHM, J,0.063W	1	
	R8253	D1BA1001A014	M 1KOHM, 0.063W	1	
	R8254	D1BA1001A014	M 1KOHM, 0.063W	1	
	R8255	D1BA1001A014	M 1KOHM, 0.063W	1	
	R8270	D1BA1001A014	M 1KOHM, 0.063W	1	
	R8271	D1BA1001A014	M 1KOHM, 0.063W	1	
	R8272	D1BA1001A014	M 1KOHM, 0.063W	1	
	R8277	D1BA1001A014	M 1KOHM, 0.063W	1	
	R8278	D1BA1001A014	M 1KOHM, 0.063W	1	
	R8279	D1BA1001A014	M 1KOHM, 0.063W	1	
	R8280	D1BA1001A014	M 1KOHM, 0.063W	1	
	R8281	D1BA1001A014	M 1KOHM, 0.063W	1	
	R8282	D1BA1001A014	M 1KOHM, 0.063W	1	
	R8283	D1BA1001A014	M 1KOHM, 0.063W	1	
	R8284	D1BA1001A014	M 1KOHM, 0.063W	1	
	R8285	ERJ2GEJ221	M 220 OHM, J,0.063W	1	
	R8286	ERJ2GEJ221	M 220 OHM, J,0.063W	1	
	R8287	D1BA2400A014	M240 OHM, 0.063W	1	
	R8288	D1BA2400A014	M240 OHM, 0.063W	1	
	R8289	ERJ2GEJ103	M 10KOHM, J,0.063W	1	
	R8300	EXB2HV680J	RESISTOR ARRAY	1	
	R8301	ERJ2GEJ103	M 10KOHM, J,0.063W	1	
	R8302	D0GA471JA015	M 470OHM, J,0.063W	1	
	R8303	D0GA680JA015	M 68 OHM, J,0.063W	1	
	R8304	D0GA680JA015	M 68 OHM, J,0.063W	1	
	R8305	D0GA680JA015	M 68 OHM, J,0.063W	1	
	R8306	D0GA680JA015	M 68 OHM, J,0.063W	1	
	R8309	D0GA222JA015	M 2.2KOHM, J,0.063W	1	
	R8310	D0GA680JA015	M 68 OHM, J,0.063W	1	
	R8315	D0GAR00Z0001	C 0 OHM, 0.063W	1	
	R8316	D0GAR00Z0001	C 0 OHM, 0.063W	1	
	R8322	D0GAR00Z0001	C 0 OHM, 0.063W	1	
	R8323	D0GAR00Z0001	C 0 OHM, 0.063W	1	
	R8324	D0GA561JA015	M 560OHM, J,0.063W	1	PAVCCZ
	R8325	D0GA561JA015	M 560OHM, J,0.063W	1	PAVCCZ
	R8326	D0GA472JA015	M 4.7KOHM, J,0.063W	1	
	R8327	D0GA472JA015	M 4.7KOHM, J,0.063W	1	
	R8340	EXB2HV680J	RESISTOR ARRAY	1	
	R8341	D0GA680JA015	M 68 OHM, J,0.063W	1	
	R8342	D0GA680JA015	M 68 OHM, J,0.063W	1	
	R8343	D0GA680JA015	M 68 OHM, J,0.063W	1	
	R8344	D0GA680JA015	M 68 OHM, J,0.063W	1	
	R8346	EXB28V680JX	RESISTOR ARRAY	1	
	R8347	EXB2HV103JV	RESISTOR ARRAY	1	

Safety	Ref. No.	Part No.	Part Name & Description	Pcs	Remarks
	R8348	EXB28V103JX	RESISTOR ARRAY	1	
	R8349	ERJ2GEJ103	M 10KOHM, J, 0.063W	1	
	R8350	ERJ2GEJ103	M 10KOHM, J, 0.063W	1	
	R8351	ERJ2GEJ103	M 10KOHM, J, 0.063W	1	
	R8355	DOGA680JA015	M 68 OHM, J, 0.063W	1	
	R8356	DOGA680JA015	M 68 OHM, J, 0.063W	1	
	R8357	DOGA680JA015	M 68 OHM, J, 0.063W	1	
	R8358	DOGA680JA015	M 68 OHM, J, 0.063W	1	
	R8376	DOGA680JA015	M 68 OHM, J, 0.063W	1	
	R8377	DOGA680JA015	M 68 OHM, J, 0.063W	1	
	R8378	DOGA680JA015	M 68 OHM, J, 0.063W	1	
	R8379	DOGA680JA015	M 68 OHM, J, 0.063W	1	
	R8380	DOGA680JA015	M 68 OHM, J, 0.063W	1	
	R8381	D1BA75ROA014	M0.75KOHM, 0.063W	1	
	R8382	D1BA75ROA014	M0.75KOHM, 0.063W	1	
	R8383	D1BA75ROA014	M0.75KOHM, 0.063W	1	
	R8384	D1BA75ROA014	M0.75KOHM, 0.063W	1	
	R8385	DOGA680JA015	M 68 OHM, J, 0.063W	1	
	R8386	DOGA680JA015	M 68 OHM, J, 0.063W	1	
	R8393	ERJ2GEJ103	M 10KOHM, J, 0.063W	1	
	R8394	ERJ2GEJ103	M 10KOHM, J, 0.063W	1	
	R8395	ERJ2GEJ103	M 10KOHM, J, 0.063W	1	
	R8396	ERJ2GEJ103	M 10KOHM, J, 0.063W	1	
	R8397	EXB2HV103JV	RESISTOR ARRAY	1	
	R8404	EXB2HV680J	RESISTOR ARRAY	1	
	R8406	DOGA680JA015	M 68 OHM, J, 0.063W	1	
	R8407	DOGA680JA015	M 68 OHM, J, 0.063W	1	
	R8408	DOGA680JA015	M 68 OHM, J, 0.063W	1	
	R8409	DOGA680JA015	M 68 OHM, J, 0.063W	1	
	R8410	DOGA680JA015	M 68 OHM, J, 0.063W	1	
	R8411	DOGA680JA015	M 68 OHM, J, 0.063W	1	
	R8412	DOGA680JA015	M 68 OHM, J, 0.063W	1	
	R8413	DOGA680JA015	M 68 OHM, J, 0.063W	1	
	R8414	EXB28V151J	RESISTOR ARRAY	1	
	R8415	EXB28V104JX	RESISTOR ARRAY	1	
	R8416	EXB28V151J	RESISTOR ARRAY	1	
	R8417	EXB28V104JX	RESISTOR ARRAY	1	
	R8419	EXB2HV101J	RESISTOR ARRAY	1	
	R8420	EXB2HV101J	RESISTOR ARRAY	1	
	R8422	EXB2HV680J	RESISTOR ARRAY	1	
	R8423	EXB2HV680J	RESISTOR ARRAY	1	
	R8424	EXB28V680JX	RESISTOR ARRAY	1	
	R8425	DOGA680JA015	M 68 OHM, J, 0.063W	1	
	R8426	DOGA680JA015	M 68 OHM, J, 0.063W	1	
	R8428	DOGA222JA015	M 2.2KOHM, J, 0.063W	1	

Safety	Ref. No.	Part No.	Part Name & Description	Pcs	Remarks
	R8429	ERJ2GEJ103	M 10KOHM, J, 0.063W	1	
	R8430	ERJ2GEJ103	M 10KOHM, J, 0.063W	1	
	R8431	ERJ2GEJ103	M 10KOHM, J, 0.063W	1	
	R8432	ERJ2GEJ103	M 10KOHM, J, 0.063W	1	
	R8433	ERJ8RSJR10	M 1 OHM, 1/8W	1	
	R8434	DOGA473JA015	M 47KOHM, J, 0.063W	1	
	R8436	DOGA223JA015	M 22K OHM J 0.063W	1	
	R8437	DOGA223JA015	M 22K OHM J 0.063W	1	
	R8438	ERJ2GEJ103	M 10KOHM, J, 0.063W	1	
	R8439	DOGA223JA015	M 22K OHM J 0.063W	1	
	R8440	ERJ2GEJ104	M 100KOHM, J, 0.063W	1	
	R8441	DOGA681JA015	M680 OHM, J, 0.063W	1	
	R8442	DOGA680JA015	M 68 OHM, J, 0.063W	1	
	R8443	DOGA680JA015	M 68 OHM, J, 0.063W	1	
	R8444	DOGA680JA015	M 68 OHM, J, 0.063W	1	
	R8445	DOGA680JA015	M 68 OHM, J, 0.063W	1	
	R8446	DOGA680JA015	M 68 OHM, J, 0.063W	1	
	R8447	DOGA151JA015	M 150 OHM, J, 0.063W	1	
	R8448	DOGA151JA015	M 150 OHM, J, 0.063W	1	
	R8449	DOGA151JA015	M 150 OHM, J, 0.063W	1	
	R8450	DOGA473JA015	M 47KOHM, J, 0.063W	1	
	R8451	ERJ2GEJ103	M 10KOHM, J, 0.063W	1	
	R8452	DOGA680JA015	M 68 OHM, J, 0.063W	1	
	R8453	DOGA680JA015	M 68 OHM, J, 0.063W	1	
	R8454	ERJ2GEJ104	M 100KOHM, J, 0.063W	1	
	R8455	ERJ2GEJ104	M 100KOHM, J, 0.063W	1	
	R8456	ERJ2GEJ104	M 100KOHM, J, 0.063W	1	
	R8457	ERJ2GEJ103	M 10KOHM, J, 0.063W	1	
	R8458	ERJ2GEJ103	M 10KOHM, J, 0.063W	1	
	R8459	ERJ2GEJ103	M 10KOHM, J, 0.063W	1	
	R8460	DOGA680JA015	M 68 OHM, J, 0.063W	1	
	R8461	DOGA680JA015	M 68 OHM, J, 0.063W	1	
	R8462	DOGA680JA015	M 68 OHM, J, 0.063W	1	
	R8463	DOGA680JA015	M 68 OHM, J, 0.063W	1	
	R8464	DOGA680JA015	M 68 OHM, J, 0.063W	1	
	R8465	DOGA680JA015	M 68 OHM, J, 0.063W	1	
	R8466	ERJ2GEJ103	M 10KOHM, J, 0.063W	1	
	R8467	ERJ2GEJ103	M 10KOHM, J, 0.063W	1	
	R8468	EXB2HV680J	RESISTOR ARRAY	1	
	R8469	DOGA680JA015	M 68 OHM, J, 0.063W	1	
	R8470	ERJ2GEJ103	M 10KOHM, J, 0.063W	1	

Safety	Ref. No.	Part No.	Part Name & Description	Pcs	Remarks
	R8471	ERJ2GEJ103	M 10KOHM, J, 0.063W	1	
	R8472	ERJ2GEJ103	M 10KOHM, J, 0.063W	1	
	R8473	D0GA222JA015	M 2.2KOHM, J, 0.063W	1	
	R8474	D0GA222JA015	M 2.2KOHM, J, 0.063W	1	
	R8480	D0GA680JA015	M 68 OHM, J, 0.063W	1	
	R8481	D0GA223JA015	M 22K OHM J 0.063W	1	
	R8483	D0GA680JA015	M 68 OHM, J, 0.063W	1	
	R8484	D0GA680JA015	M 68 OHM, J, 0.063W	1	
	R8485	ERJ2GEJ103	M 10KOHM, J, 0.063W	1	
	R8488	D0GA680JA015	M 68 OHM, J, 0.063W	1	
	R8489	D0GA680JA015	M 68 OHM, J, 0.063W	1	
	R8490	D0GA680JA015	M 68 OHM, J, 0.063W	1	
	R8491	D0GA680JA015	M 68 OHM, J, 0.063W	1	
	R8492	D0GA680JA015	M 68 OHM, J, 0.063W	1	
	R8493	D0GA680JA015	M 68 OHM, J, 0.063W	1	
	R8494	D0GA680JA015	M 68 OHM, J, 0.063W	1	
	R8495	D0GA680JA015	M 68 OHM, J, 0.063W	1	
	R8496	D0GA680JA015	M 68 OHM, J, 0.063W	1	
	R8497	D0GA680JA015	M 68 OHM, J, 0.063W	1	
	R8498	D0GA680JA015	M 68 OHM, J, 0.063W	1	
	R8499	D0GA680JA015	M 68 OHM, J, 0.063W	1	
	R8501	D0GA680JA015	M 68 OHM, J, 0.063W	1	
	R8502	D0GA680JA015	M 68 OHM, J, 0.063W	1	
	R8503	D0GA680JA015	M 68 OHM, J, 0.063W	1	
	R8504	D0GA680JA015	M 68 OHM, J, 0.063W	1	
	R8505	D0GA680JA015	M 68 OHM, J, 0.063W	1	
	R8506	D0GA680JA015	M 68 OHM, J, 0.063W	1	
	R8507	D0GA680JA015	M 68 OHM, J, 0.063W	1	
	R8508	D0GA680JA015	M 68 OHM, J, 0.063W	1	
	R8509	D0GA680JA015	M 68 OHM, J, 0.063W	1	
	R8510	D0GA680JA015	M 68 OHM, J, 0.063W	1	
	R8511	ERJ2GEJ103	M 10KOHM, J, 0.063W	1	
	R8515	ERJ2GEJ103	M 10KOHM, J, 0.063W	1	
	R8516	ERJ2GEJ103	M 10KOHM, J, 0.063W	1	
	R8524	D1BA49R9A014	M 49.9 OHM, 0.063W	1	
	R8525	D1BA49R9A014	M 49.9 OHM, 0.063W	1	
	R8526	D1BA49R9A014	M 49.9 OHM, 0.063W	1	
	R8527	D1BA49R9A014	M 49.9 OHM, 0.063W	1	
	R8566	D0GBR00Z0002	M 0 OHM J 1/10W	1	
	R8600	ERJ2GEJ103	M 10KOHM, J, 0.063W	1	
	R8606	ERJ2GEJ103	M 10KOHM, J, 0.063W	1	

Safety	Ref. No.	Part No.	Part Name & Description	Pcs	Remarks
	R8607	D0GA680JA015	M 68 OHM, J, 0.063W	1	
	R8610	D0GA680JA015	M 68 OHM, J, 0.063W	1	
	R8622	D0GA680JA015	M 68 OHM, J, 0.063W	1	
	R8636	D0GA680JA015	M 68 OHM, J, 0.063W	1	
	R8638	ERJ2GEJ103	M 10KOHM, J, 0.063W	1	
	R8641	D0GA680JA015	M 68 OHM, J, 0.063W	1	
	R8642	D0GA680JA015	M 68 OHM, J, 0.063W	1	
	R8644	D0GA680JA015	M 68 OHM, J, 0.063W	1	
	R8645	D0GA680JA015	M 68 OHM, J, 0.063W	1	
	R8649	ERJ2GEJ103	M 10KOHM, J, 0.063W	1	
	R8651	ERJ2GEJ103	M 10KOHM, J, 0.063W	1	
	R8652	ERJ2GEJ103	M 10KOHM, J, 0.063W	1	
	R8657	D0GA222JA015	M 2.2KOHM, J, 0.063W	1	
	R8658	D0GA222JA015	M 2.2KOHM, J, 0.063W	1	
	R8660	EXB2HV680J	RESISTOR ARRAY	1	
	R8661	ERJ2GEJ103	M 10KOHM, J, 0.063W	1	
	R8669	ERJ2GEJ103	M 10KOHM, J, 0.063W	1	
	R8672	ERJ2GEJ103	M 10KOHM, J, 0.063W	1	
	R8673	ERJ2GEJ103	M 10KOHM, J, 0.063W	1	
	R8680	ERJ2GEJ103	M 10KOHM, J, 0.063W	1	
	R8685	D0GA222JA015	M 2.2KOHM, J, 0.063W	1	
	R8689	D0GA680JA015	M 68 OHM, J, 0.063W	1	
	R8691	ERJ2GEJ103	M 10KOHM, J, 0.063W	1	
	R8692	D0GA680JA015	M 68 OHM, J, 0.063W	1	
	R8703	D0GA560JA015	M 56 OHM, J, 0.063W	1	
	R8704	D0GA560JA015	M 56 OHM, J, 0.063W	1	
	R8705	D0GA560JA015	M 56 OHM, J, 0.063W	1	
	R8706	D0GA560JA015	M 56 OHM, J, 0.063W	1	
	R8707	D0GA560JA015	M 56 OHM, J, 0.063W	1	
	R8708	D0GA560JA015	M 56 OHM, J, 0.063W	1	
	R8709	D0GA560JA015	M 56 OHM, J, 0.063W	1	
	R8710	D0GA560JA015	M 56 OHM, J, 0.063W	1	
	R8711	D0GA472JA015	M 4.7KOHM, J, 0.063W	1	
	R8712	D0GA472JA015	M 4.7KOHM, J, 0.063W	1	
	R8721	D0GA560JA015	M 56 OHM, J, 0.063W	1	
	R8722	D0GA560JA015	M 56 OHM, J, 0.063W	1	
	R8723	D0GA560JA015	M 56 OHM, J, 0.063W	1	
	R8724	D0GA560JA015	M 56 OHM, J, 0.063W	1	
	R8725	D0GA560JA015	M 56 OHM, J, 0.063W	1	
	R8726	ERJ2GEJ103	M 10KOHM, J, 0.063W	1	
	R8727	ERJ2GEJ103	M 10KOHM, J, 0.063W	1	

Safety	Ref. No.	Part No.	Part Name & Description	Pcs	Remarks
	R8728	D0GA560JA015	M 56 OHM, J, 0.063W	1	
	R8729	D0GA560JA015	M 56 OHM, J, 0.063W	1	
	R8730	D0GA560JA015	M 56 OHM, J, 0.063W	1	
	R8731	D0GA560JA015	M 56 OHM, J, 0.063W	1	
	R8732	D0GA560JA015	M 56 OHM, J, 0.063W	1	
	R8733	D0GA560JA015	M 56 OHM, J, 0.063W	1	
	R8734	D0GAR00Z0001	C 0 OHM, 0.063W	1	
	R8735	ERJ2GEJ103	M 10KOHM, J, 0.063W	1	
	R8737	D1BA6491A014	M6.49KOHM, 0.063W	1	
	R8739	ERJ2GEJ103	M 10KOHM, J, 0.063W	1	
	R8741	D0GA272JA015	M 2.7KOHM, J, 0.063W	1	
	R8742	D0GA272JA015	M 2.7KOHM, J, 0.063W	1	
	R8743	ERJ2GEJ103	M 10KOHM, J, 0.063W	1	
	R8744	D1BA6201A014	M6.2KOHM, 0.063W	1	
	R8745	D0GA472JA015	M 4.7KOHM, J, 0.063W	1	
	R8747	ERJ2GEJ103	M 10KOHM, J, 0.063W	1	
	R8748	ERJ2GEJ103	M 10KOHM, J, 0.063W	1	
	R8754	ERJ2GEJ103	M 10KOHM, J, 0.063W	1	
	R8757	D1BA1600A014	M 160 OHM, 0.063W	1	
	R8758	D1BA2402A014	M 24KOHM, 0.063W	1	
	R8759	D1BA1002A014	M 10KOHM, 0.063W	1	
	R8760	D1BA2402A014	M 24KOHM, 0.063W	1	
	R8761	D1BA6201A014	M6.2KOHM, 0.063W	1	
	R8762	D0GA472JA015	M 4.7KOHM, J, 0.063W	1	
	R8764	ERJ2GEJ103	M 10KOHM, J, 0.063W	1	
	R8856	D0GA473JA015	M 47KOHM, J, 0.063W	1	
	R8857	D0GA680JA015	M 68 OHM, J, 0.063W	1	
	R8859	D0GA680JA015	M 68 OHM, J, 0.063W	1	
	R8860	D0GA680JA015	M 68 OHM, J, 0.063W	1	
	R8861	D0GA680JA015	M 68 OHM, J, 0.063W	1	
	R8862	D0GA680JA015	M 68 OHM, J, 0.063W	1	
	R8863	D0GA680JA015	M 68 OHM, J, 0.063W	1	
	R8864	ERJ2GEJ103	M 10KOHM, J, 0.063W	1	
	R8867	ERJ2GEJ103	M 10KOHM, J, 0.063W	1	
	R8868	D0GA330JA015	M 33 OHM, J, 0.063W	1	
	R8869	ERJ2GEJ103	M 10KOHM, J, 0.063W	1	
	R8870	ERJ2GEJ103	M 10KOHM, J, 0.063W	1	
	R8871	D0GAR00Z0001	C 0 OHM, 0.063W	1	
	R8872	D0GA330JA015	M 33 OHM, J, 0.063W	1	
	R8873	D0GA680JA015	M 68 OHM, J, 0.063W	1	
	R8874	D0GA680JA015	M 68 OHM, J, 0.063W	1	
	R8875	D0GA680JA015	M 68 OHM, J, 0.063W	1	
	R8876	D0GA680JA015	M 68 OHM, J, 0.063W	1	

Safety	Ref. No.	Part No.	Part Name & Description	Pcs	Remarks
	R8877	D0GA330JA015	M 33 OHM, J, 0.063W	1	
	R8878	ERJ2GEJ103	M 10KOHM, J, 0.063W	1	
	R8879	ERJ2GEJ103	M 10KOHM, J, 0.063W	1	
	R8880	ERJ2GEJ103	M 10KOHM, J, 0.063W	1	
	R8881	ERJ2GEJ103	M 10KOHM, J, 0.063W	1	
	R8882	ERJ2GEJ103	M 10KOHM, J, 0.063W	1	
	R8883	ERJ2GEJ103	M 10KOHM, J, 0.063W	1	
	R8885	ERJ2GEJ103	M 10KOHM, J, 0.063W	1	
	R8886	ERJ2GEJ103	M 10KOHM, J, 0.063W	1	
	R8887	ERJ2GEJ103	M 10KOHM, J, 0.063W	1	
	R8888	D0GBR00Z0002	M 0 OHM J 1/10W	1	
	R8893	ERJ2GEJ103	M 10KOHM, J, 0.063W	1	
	R8918	EXB2HV680J	RESISTOR ARRAY	1	
	R8919	EXB2HV680J	RESISTOR ARRAY	1	
	R8922	EXB2HVR000	RESISTOR ARRAY	1	
	R8923	D0GA680JA015	M 68 OHM, J, 0.063W	1	
	R8924	D0GA680JA015	M 68 OHM, J, 0.063W	1	
	R8925	D0GA680JA015	M 68 OHM, J, 0.063W	1	
	R8926	D0GA680JA015	M 68 OHM, J, 0.063W	1	
	R8927	D0GA680JA015	M 68 OHM, J, 0.063W	1	
	R8928	D0GA680JA015	M 68 OHM, J, 0.063W	1	
	R8950	D0GA472JA015	M 4.7KOHM, J, 0.063W	1	
	R9069	EXB38V101JV	RESISTOR ARRAY	1	
	R9070	ERJ2GEJ103	M 10KOHM, J, 0.063W	1	
	R9098	ERJ2GEJ104	M 100KOHM, J, 0.063W	1	
	R9099	D0GA470JA015	M 47 OHM, J, 0.063W	1	
	R9100	D0GA470JA015	M 47 OHM, J, 0.063W	1	
	R9101	D0GA470JA015	M 47 OHM, J, 0.063W	1	
	R9102	D0GA470JA015	M 47 OHM, J, 0.063W	1	
	R9104	EXB38V101JV	RESISTOR ARRAY	1	
	R9105	ERJ2GEJ220	M 22 OHM, J, 0.063W	1	
	R9107	D0GA332JA015	M 3.3KOHM, J, 0.063W	1	
	R9109	D0GA470JA015	M 47 OHM, J, 0.063W	1	
	R9110	D0GA472JA015	M 4.7KOHM, J, 0.063W	1	
	R9111	D0GAR00Z0001	C 0 OHM, 0.063W	1	
	R9113	D1BB1002A055	M 10KOHM, 1/10W	1	
	R9114	D1BB5601A055	M 5.6KOHM, 1/10W	1	
	R9116	D1BB1002A055	M 10KOHM, 1/10W	1	
	R9119	EXB38V470J	RESISTOR ARRAY	1	
	R9120	ERJ2GEJ103	M 10KOHM, J, 0.063W	1	
	R9121	ERJ2GEJ104	M 100KOHM, J, 0.063W	1	
	R9124	D0GA470JA015	M 47 OHM, J, 0.063W	1	
	R9129	D0GA683JA015	M 68KOHM, J, 0.063W	1	
	R9130	D0GA470JA015	M 47 OHM, J, 0.063W	1	
	R9132	D0GA101JA015	M 100 OHM, J, 0.063W	1	

Safety	Ref. No.	Part No.	Part Name & Description	Pcs	Remarks
	R9142	D1BB1502A055	M 15KOHM, 1/10W	1	
	R9150	ERJ2GEJ220	M 22 OHM, J,0.063W	1	
	R9151	ERJ2GEJ220	M 22 OHM, J,0.063W	1	
	R9152	ERJ2GEJ103	M 10KOHM, J,0.063W	1	
	R9153	ERJ2GEJ103	M 10KOHM, J,0.063W	1	
	R9154	D0GA272JA015	M 2.7KOHM, J,0.063W	1	
	R9155	D0GA272JA015	M 2.7KOHM, J,0.063W	1	
	R9158	D0GA101JA015	M 100 OHM, J,0.063W	1	
	R9162	EXB38V101JV	RESISTOR ARRAY	1	
	R9164	ERJ2GEJ103	M 10KOHM, J,0.063W	1	
	R9166	ERJ2GEJ103	M 10KOHM, J,0.063W	1	
	R9174	D0GB162JA041	N 1.6KOHM J 1/10W	1	
	R9175	D0GB162JA041	N 1.6KOHM J 1/10W	1	
	R9176	D0GB162JA041	N 1.6KOHM J 1/10W	1	
	R9177	D0GB162JA041	N 1.6KOHM J 1/10W	1	
	R9185	ERJ2GEJ220	M 22 OHM, J,0.063W	1	
	R9186	ERJ2GEJ220	M 22 OHM, J,0.063W	1	
	R9187	D0GA272JA015	M 2.7KOHM, J,0.063W	1	
	R9188	D0GA272JA015	M 2.7KOHM, J,0.063W	1	
	R9189	D0GAR00Z0001	C 0 OHM, 0.063W	1	
	R9191	ERJ2GEJ104	M 100KOHM, J,0.063W	1	
	R9192	D1BB3302A055	M 33KOHM, 1/10W	1	
	R9194	D0GA471JA015	M 470OHM, J,0.063W	1	
	R9195	D1BB10R0A055	M 10 OHM, 1/10W	1	PAVCCZ
	R9196	D0GBR00Z0002	M 0 OHM J 1/10W	1	
	R9198	EXB38V101JV	RESISTOR ARRAY	1	
	R9199	D1BB10R0A055	M 10 OHM, 1/10W	1	PAVCCZ
	R9200	D0GA100JA015	M 10 OHM, J,0.063W	1	
	R9201	D0GA100JA015	M 10 OHM, J,0.063W	1	
	R9203	D0GA223JA015	M 22K OHM J 0.063W	1	
	R9205	D0GA333JA015	M 33KOHM, J,0.063W	1	
	R9206	D0GA563JA015	M 56KOHM, J,0.063W	1	
	R9207	D0GA243JA015	M 24K OHM J 0.063W	1	PAVCCZ
	R9208	EXB2HV470JV	RESISTOR ARRAY	1	
	R9209	EXB2HV470JV	RESISTOR ARRAY	1	
	R9212	D0GA470JA015	M 47 OHM, J,0.063W	1	
	R9213	D0GA470JA015	M 47 OHM, J,0.063W	1	
	R9214	ERJ2GEJ103	M 10KOHM, J,0.063W	1	
	R9215	ERJ2GEJ104	M 100KOHM, J,0.063W	1	
	R9218	ERJ2GEJ103	M 10KOHM, J,0.063W	1	
	R9220	ERJ2GEJ102X	M 1K OHM J 1/4W	1	
	R9223	D0GA272JA015	M 2.7KOHM, J,0.063W	1	
	R9224	D0GA470JA015	M 47 OHM, J,0.063W	1	
	R9225	D0GA272JA015	M 2.7KOHM, J,0.063W	1	
	R9226	D0GA470JA015	M 47 OHM, J,0.063W	1	

Safety	Ref. No.	Part No.	Part Name & Description	Pcs	Remarks
	R9236	D0GA470JA015	M 47 OHM, J,0.063W	1	
	R9238	D0GA470JA015	M 47 OHM, J,0.063W	1	
	R9239	D0GA470JA015	M 47 OHM, J,0.063W	1	
	R9241	D0GA470JA015	M 47 OHM, J,0.063W	1	
	R9247	D0GA470JA015	M 47 OHM, J,0.063W	1	
	R9250	EXB38V470J	RESISTOR ARRAY	1	
	R9251	D0GA470JA015	M 47 OHM, J,0.063W	1	
	R9252	D0GA470JA015	M 47 OHM, J,0.063W	1	
	R9253	EXB38V470J	RESISTOR ARRAY	1	
	R9255	ERJ2GEJ102X	M 1K OHM J 1/4W	1	
	R9257	EXB38V681J	RESISTOR ARRAY	1	
	R9259	EXB38V681J	RESISTOR ARRAY	1	
	R9268	EXB2HV470JV	RESISTOR ARRAY	1	
	R9269	ERJ2GEJ103	M 10KOHM, J,0.063W	1	
	R9270	EXB2HV470JV	RESISTOR ARRAY	1	
	R9287	D0GA470JA015	M 47 OHM, J,0.063W	1	
	R9288	D0GA470JA015	M 47 OHM, J,0.063W	1	
	R9292	D0GA470JA015	M 47 OHM, J,0.063W	1	
	R9293	D0GA470JA015	M 47 OHM, J,0.063W	1	
	R9294	D0GA470JA015	M 47 OHM, J,0.063W	1	
	R9295	D0GA511JA015	M510 OHM, J,0.063W	1	PAVCCZ
	R9296	D0GA511JA015	M510 OHM, J,0.063W	1	PAVCCZ
	R9297	D0GA511JA015	M510 OHM, J,0.063W	1	PAVCCZ
	R9298	D0GA470JA015	M 47 OHM, J,0.063W	1	
	R9299	D0GA470JA015	M 47 OHM, J,0.063W	1	
	R9300	EXB38V470J	RESISTOR ARRAY	1	
	R9310	D0GA470JA015	M 47 OHM, J,0.063W	1	
	R9316	D0GA470JA015	M 47 OHM, J,0.063W	1	
	R9320	D0GA122JA015	M 1.2KOHM, J,0.063W	1	
	R9321	D0GA105JA015	M 1M OHM, J,0.063W	1	
	R9322	D0GA470JA015	M 47 OHM, J,0.063W	1	
	R9324	D0GB162JA041	N 1.6KOHM J 1/10W	1	
	R9325	D0GB162JA041	N 1.6KOHM J 1/10W	1	
	R9326	D0GB162JA041	N 1.6KOHM J 1/10W	1	
	R9327	D0GB162JA041	N 1.6KOHM J 1/10W	1	
	R9347	D0GAR00Z0001	C 0 OHM, 0.063W	1	
	R9348	D0GAR00Z0001	C 0 OHM, 0.063W	1	
	R9349	D0GAR00Z0001	C 0 OHM, 0.063W	1	
	R9350	D0GAR00Z0001	C 0 OHM, 0.063W	1	
	R9351	D0GA470JA015	M 47 OHM, J,0.063W	1	
	R9352	D0GA470JA015	M 47 OHM, J,0.063W	1	
	R9378	D0GA470JA015	M 47 OHM, J,0.063W	1	
	R9379	D0GA470JA015	M 47 OHM, J,0.063W	1	
	R9383	D1BB1502A055	M 15KOHM, 1/10W	1	
	R9384	D1BB4302A055	M 43KOHM, 1/10W	1	
	R9385	D1BB5601A055	M 5.6KOHM, 1/10W	1	
	R9386	D1BB2702A055	M 27KOHM, 1/10W	1	
	R9387	D1BB8201A055	M 8.2KOHM, 1/10W	1	

Safety	Ref. No.	Part No.	Part Name & Description	Pcs	Remarks
	R9388	D1BB5102A055	M 51KOHM, 1/10W	1	
	R9389	D1BB2702A055	M 27KOHM, 1/10W	1	
	R9390	D1BB2402A055	M 24KOHM, 1/10W	1	
	R9391	DOGA470JA015	M 47 OHM, J, 0.063W	1	
	R9400	EXB2HV103JV	RESISTOR ARRAY	1	
	R9401	EXB2HV103JV	RESISTOR ARRAY	1	
	R9402	EXB38V103JV	RESISTOR ARRAY	1	
	R9522	D1BB1102A055	M 11KOHM, 1/10W	1	
	R9596	ERJ2GEJ103	M 10KOHM, J, 0.063W	1	
	R9598	D1BB3R30A055	M 3.3 OHM, 1/10W	1	PAVCCZ
	R9609	EXB2HV470JV	RESISTOR ARRAY	1	
	R9614	EXB38V470J	RESISTOR ARRAY	1	
	R9616	EXB38V470J	RESISTOR ARRAY	1	
	R9868	ERJ2GEJ104	M 100KOHM, J, 0.063W	1	
	R9871	ERJ2GEJ103	M 10KOHM, J, 0.063W	1	
	R9880	ERJ2GEJ103	M 10KOHM, J, 0.063W	1	
	R9881	ERJ2GEJ103	M 10KOHM, J, 0.063W	1	
	R9882	ERJ2GEJ103	M 10KOHM, J, 0.063W	1	
	R9884	ERJ2GEJ103	M 10KOHM, J, 0.063W	1	
	R9900	DOGAR00Z0001	C 0 OHM, 0.063W	1	
	R9901	DOGF470JA002	M 47 OHM, J, 0.33W	1	
	R9903	DOGA472JA015	M 4.7KOHM, J, 0.063W	1	
	R9904	ERJ2GEJ104	M 100KOHM, J, 0.063W	1	
	R9906	ERJ2GEJ104	M 100KOHM, J, 0.063W	1	
	R9907	DOGA101JA015	M 100 OHM, J, 0.063W	1	
	RM2510	B3RAD0000168	REMOTE SENSOR	1	
	SN2510	B3JB00000078	IC	1	PAVCCZ
	SW2500	K0F122A00031	SWITCH	1	
	SW2550	K0H1BA000445	SWITCH	1	
	SW2551	K0H1BA000445	SWITCH	1	
	SW2552	K0H1BA000445	SWITCH	1	
	SW2553	K0H1BA000445	SWITCH	1	
	SW2554	K0H1BA000445	SWITCH	1	
	T8301	G5BYC0000015	TRANS	1	
△	TU2901A	ENG37F03KF	TUNER	1	PAVCCZ
△	TU6700	J3BBCBC00006	TUNER	1	PAVCCZ
	V1	K1KA04A00667	4P CONNECTOR	1	
	X1100	H0J100500035	CRYSTAL	1	
	X4200	H0J270500113	CRYSTAL	1	
	X5800	H0J270500113	CRYSTAL	1	
	X8002	H0J245500101	CRYSTAL	1	
	X8100	H0J270500120	CRYSTAL	1	
	X8300	H0J410500001	CRYSTAL	1	PAVCCZ
	X9000	H2C1005A0041	CRYSTAL	1	
	X9400	H0J200500076	CRYSTAL	1	
	XS3	K1KY30AA0369	30P CONNECTOR	1	
	ZA9001	K4AZ01D00004	TERMINAL	1	
	C10	K1MY40BA0345	40P CONNECTOR	1	PAVCCZ
	C20	K1MY40BA0345	40P CONNECTOR	1	PAVCCZ
	C21	K1MY68BA0345	68P CONNECTOR	1	
	C26	K1MN20BA0231	20P CONNECTOR	1	
	C31	K1MY68BA0345	68P CONNECTOR	1	

Safety	Ref. No.	Part No.	Part Name & Description	Pcs	Remarks
	C33	K1KY08AA0719	8P CONNECTOR	1	
	C35	K1KA04BA0107	4P CONNECTOR	1	
	C36	K1MY20BA0345	20P CONNECTOR	1	
	C40	K1MY40BA0345	40P CONNECTOR	1	PAVCCZ
	C50	K1MY40BA0345	40P CONNECTOR	1	PAVCCZ
	C51	K1MY68BA0345	68P CONNECTOR	1	
	C56	K1MN20BA0231	20P CONNECTOR	1	
	C61	K1MY55BA0345	55P CONNECTOR	1	
	C65	K1KA05BA0107	5P CONNECTOR	1	PAVCCZ
	C66	K1MY20BA0345	20P CONNECTOR	1	
	C16002	F1L2J562A022	C 5600UF, K, 6.3V	1	
	C16011	F2A2T251A004	E 250UF, 220V	1	
	C16012	F2A2T251A004	E 250UF, 220V	1	
	C16013	F2A2T251A004	E 250UF, 220V	1	
	C16014	F0C2E155A252	E 0.015UF, 250V	1	
	C16015	F0C2E155A252	E 0.015UF, 250V	1	
	C16022	F1L2J332A022	C 3300UF, K, 6.3V	1	
	C16041	F1H1H392A970	C 3900PF, K, 50V	1	
	C16071	F1L2J1020001	C 1000UF, K, 6.3V	1	
	C16072	F1L2J1020001	C 1000UF, K, 6.3V	1	
	C16091	F1L2J1020001	C 1000UF, K, 6.3V	1	
	C16092	F1L2J1020001	C 1000UF, K, 6.3V	1	
	C16101	F1L2J222A022	C 2200UF, K, 6.3V	1	
	C16104	F1H1E470A130	C 47UF, K, 25V	1	
	C16105	F1H1E470A130	C 47UF, K, 25V	1	
	C16131	F1K1E475A134	C 4.7UF, Z, 25V	1	
	C16133	F1K1E475A134	C 4.7UF, Z, 25V	1	
	C16135	F1K1E105A029	C 1UF, Z, 25V	1	
	C16151	F1K1E105A029	C 1UF, Z, 25V	1	
	C16152	F1K1E475A134	C 4.7UF, Z, 25V	1	
	C16153	F1K1E475A134	C 4.7UF, Z, 25V	1	
	C16154	F1K1E475A134	C 4.7UF, Z, 25V	1	
	C16191	F1K1E475A134	C 4.7UF, Z, 25V	1	
	C16192	F1H1E104A129	C 0.1UF, 25V	1	
	C16193	F2A1E4700094	E 47UF, 25V	1	
	C16195	F1K1E105A029	C 1UF, Z, 25V	1	
	C16201	F0C2E405A232	E 0.040UF, 250V	1	
	C16202	F0C2E405A232	E 0.040UF, 250V	1	
	C16203	F0C2E405A232	E 0.040UF, 250V	1	
	C16242	F1H1C105A145	C 0.01UF, K, 16V	1	
	C16243	F1H1H103A970	C 0.001UF, K, 50V	1	
	C16244	F1J1A106A087	C 0.010UF, K, 10V	1	
	C16251	F1H1C105A145	C 0.01UF, K, 16V	1	
	C16252	F1K1E105A029	C 1UF, Z, 25V	1	
	C16271	EEUFC1E221	E 220UF, 25V	1	
	C16280	F1K1E105A029	C 1UF, Z, 25V	1	
	C16285	F1H1H104A970	C 0.1UF, K, 50V	1	
	C16286	F1H1H104A970	C 0.1UF, K, 50V	1	
	C16287	F1H1H104A970	C 0.1UF, K, 50V	1	
	C16314	F2A2T251A004	E 250UF, 220V	1	
	C16315	ECJ1VB1A105K	C 1UF, Z, 10V	1	
	C16316	F1H1C104A143	C 0.1UF, K, 16V	1	
	C16317	ECJ1VB1A105K	C 1UF, Z, 10V	1	
	C16318	F1J1H104A835	C 0.10UF, 50V	1	
	C16319	F1J1H104A835	C 0.10UF, 50V	1	
	C16328	F2A2C221A195	E 2200UF, 160V	1	
	C16331	F0C2E105A252	E 0.010UF, 250V	1	
	C16401	F1L2J562A022	C 5600UF, K, 6.3V	1	
	C16412	F2A2T251A004	E 250UF, 220V	1	
	C16416	F2A2T251A004	E 250UF, 220V	1	
	C16417	F2A2T251A004	E 250UF, 220V	1	
	C16418	F0C2E155A252	E 0.015UF, 250V	1	
	C16419	F2A2T251A004	E 250UF, 220V	1	
	C16421	F1L2J562A022	C 5600UF, K, 6.3V	1	
	C16441	F1H1H392A970	C 3900PF, K, 50V	1	
	C16452	F1H1H392A970	C 3900PF, K, 50V	1	
	C16460	F1E2J821A002	C 82PF, 600V	1	
	C16461	F1L2J1020001	C 1000UF, K, 6.3V	1	
	C16471	F1L2J1020001	C 1000UF, K, 6.3V	1	
	C16472	F1K1E105A029	C 1UF, Z, 25V	1	
	C16481	F1L2J1020001	C 1000UF, K, 6.3V	1	
	C16490	F1H1C105A145	C 0.01UF, K, 16V	1	

Safety	Ref. No.	Part No.	Part Name & Description	Pcs	Remarks
	C16491	F1L2J1020001	C 1000UF, K, 6.3V	1	
	C16501	F1K1E105A029	C 1UF, Z, 25V	1	
	C16502	F1K1E475A134	C 4.7UF, Z, 25V	1	
	C16503	F2A1E471A102	E 470UF, 25V	1	
	C16504	F1K1E475A134	C 4.7UF, Z, 25V	1	
	C16505	F1K1E105A029	C 1UF, Z, 25V	1	
	C16521	F1K1E105A029	C 1UF, Z, 25V	1	
	C16522	F1K1E475A134	C 4.7UF, Z, 25V	1	
	C16523	F2A1E471A102	E 470UF, 25V	1	
	C16524	F1K1E475A134	C 4.7UF, Z, 25V	1	
	C16525	F1K1E475A134	C 4.7UF, Z, 25V	1	
	C16534	F1K1E105A029	C 1UF, Z, 25V	1	
	C16561	F1J1A106A087	C 0.010UF, K, 10V	1	
	C16562	F1H1C105A145	C 0.01UF, K, 16V	1	
	C16564	F1H1C105A145	C 0.01UF, K, 16V	1	
	C16565	F1H1H103A970	C 0.001UF, K, 50V	1	
	C16566	F1H1H103A970	C 0.001UF, K, 50V	1	
	C16581	F1K1E105A029	C 1UF, Z, 25V	1	
	C16582	F1H1C105A145	C 0.01UF, K, 16V	1	
	C16593	F1H1H102A971	C 1000PF, K, 50V	1	
	C16602	F1H1H220A971	C 22PF, K, 50V	1	
	C16603	F1K2J102A014	C 1000UF, K, 6.3V	1	
	C16604	F1K2J102A014	C 1000UF, K, 6.3V	1	
	C16608	F1H1H221A971	C 220UF, K, 50V	1	
	C16631	F0C2E405A232	E 0.040UF, 250V	1	
	C16632	F0C2E405A232	E 0.040UF, 250V	1	
	C16633	F0C2E405A232	E 0.040UF, 250V	1	
	C16641	F1K2J22A014	C 2200UF, K, 6.3V	1	
	C16642	F1L2J562A022	C 5600UF, K, 6.3V	1	
	C16645	F1K2J102A014	C 1000UF, K, 6.3V	1	
	C16646	F1K2J102A014	C 1000UF, K, 6.3V	1	
	C16661	F1K2J102A038	C 1000UF, K, 6.3V	1	
	C16662	F1K2J102A038	C 1000UF, K, 6.3V	1	
	C16664	F1H1H820A971	C 82UF, 50V	1	
	C16665	F1H1H820A971	C 82UF, 50V	1	
	C16666	F1H1H820A971	C 82UF, 50V	1	
	C16668	F1H1H221A971	C 220UF, K, 50V	1	
	C16675	F1H1H391A971	C 391UF, 50V	1	
	C16684	F1H1H104A970	C 0.1UF, K, 50V	1	
	C16685	F1H1H104A970	C 0.1UF, K, 50V	1	
	C16691	F2A2C101A097	E 1000UF, 160V	1	
	C16692	F1H1H104A970	C 0.1UF, K, 50V	1	
	C16707	F1H1H220A971	C 22PF, K, 50V	1	
	C16708	F1H1H104A970	C 0.1UF, K, 50V	1	
	C16721	F2A1H820A115	E 82UF, 50V	1	
	C16723	F1K1E105A029	C 1UF, Z, 25V	1	
	C16724	F1K1E475A134	C 4.7UF, Z, 25V	1	
	C16753	F1K1E475A134	C 4.7UF, Z, 25V	1	
	C16755	F1K1E475A134	C 4.7UF, Z, 25V	1	
	C16756	F1K1E475A134	C 4.7UF, Z, 25V	1	
	C16771	F1H1C105A145	C 0.01UF, K, 16V	1	
	C16773	F1K1E105A029	C 1UF, Z, 25V	1	
	C16791	EEUFCE1E221	E 220UF, 25V	1	
	C16793	EEUFCE1E221	E 220UF, 25V	1	
	C16794	F1J1A106A087	C 0.010UF, K, 10V	1	
	C16795	F2A1E471A102	E 470UF, 25V	1	
	C16796	F2A1E471A102	E 470UF, 25V	1	
	C16813	F2A2T221A009	E 220UF, 220V	1	
	C16842	F2A2C101A097	E 1000UF, 160V	1	
	C16843	F1J1H104A835	C 0.10UF, 50V	1	
	C16844	F1J1H104A835	C 0.10UF, 50V	1	
	C16854	F1J1H104A835	C 0.10UF, 50V	1	
	C16856	ECJ1VB1A105K	C 1UF, Z, 10V	1	
	C16857	F1H1C104A143	C 0.1UF, K, 16V	1	
	C16858	ECJ1VB1A105K	C 1UF, Z, 10V	1	
	C16859	F1J1H104A835	C 0.10UF, 50V	1	
	C16860	ECJ1VB1A105K	C 1UF, Z, 10V	1	
	C16861	F1H1C104A143	C 0.1UF, K, 16V	1	
	C16862	ECJ1VB1A105K	C 1UF, Z, 10V	1	
	C16863	F1J1H104A835	C 0.10UF, 50V	1	

Safety	Ref. No.	Part No.	Part Name & Description	Pcs	Remarks
	C16864	F1J1H104A835	C 0.10UF, 50V	1	
	C16891	F1K1E105A029	C 1UF, Z, 25V	1	
	C16902	F1E2J472A001	C 4700PF, 600V	1	
	C16903	F1E2J152A002	C 1500PF, 600V	1	
	C17100	ECJ1VB1A105K	C 1UF, Z, 10V	1	
	C17101	ECJ1VB1A105K	C 1UF, Z, 10V	1	
	C17104	F1L2A334A034	E 3300UF, 100V	1	PAVCCZ
	C17105	F1L2A334A034	E 3300UF, 100V	1	PAVCCZ
	C17106	ECJ1VB1A105K	C 1UF, Z, 10V	1	
	C17107	ECJ1VB1A105K	C 1UF, Z, 10V	1	
	C17110	F1L2A334A034	E 3300UF, 100V	1	PAVCCZ
	C17111	F1L2A334A034	E 3300UF, 100V	1	PAVCCZ
	C17200	ECJ1VB1A105K	C 1UF, Z, 10V	1	
	C17202	ECJ1VB1A105K	C 1UF, Z, 10V	1	
	C17203	F1L2A334A034	E 3300UF, 100V	1	PAVCCZ
	C17204	F1L2A334A034	E 3300UF, 100V	1	PAVCCZ
	C17210	ECJ1VB1A105K	C 1UF, Z, 10V	1	
	C17211	ECJ1VB1A105K	C 1UF, Z, 10V	1	
	C17212	F1L2A334A034	E 3300UF, 100V	1	PAVCCZ
	C17213	F1L2A334A034	E 3300UF, 100V	1	PAVCCZ
	C17216	F1H1C104A143	C 0.1UF, K, 16V	1	
	C17241	F1H1H101A971	C 100UF, 50V	1	
	C17300	ECJ1VB1A105K	C 1UF, Z, 10V	1	
	C17301	F1H1C104A143	C 0.1UF, K, 16V	1	
	C17302	F1L2A334A034	E 3300UF, 100V	1	PAVCCZ
	C17303	ECJ1VB1A105K	C 1UF, Z, 10V	1	
	C17306	ECJ1VB1A105K	C 1UF, Z, 10V	1	
	C17307	F1L2A334A034	E 3300UF, 100V	1	PAVCCZ
	C17313	ECJ1VB1A105K	C 1UF, Z, 10V	1	
	C17314	F1L2A334A034	E 3300UF, 100V	1	PAVCCZ
	C17315	F1H1C104A143	C 0.1UF, K, 16V	1	
	C17317	ECJ1VB1A105K	C 1UF, Z, 10V	1	
	C17318	F1L2A334A034	E 3300UF, 100V	1	PAVCCZ
	C17319	F1L2A334A034	E 3300UF, 100V	1	PAVCCZ
	C17320	ECJ1VB1A105K	C 1UF, Z, 10V	1	
	C17323	ECJ1VB1A105K	C 1UF, Z, 10V	1	
	C17324	F1L2A334A034	E 3300UF, 100V	1	PAVCCZ
	C17325	F1L2A334A034	E 3300UF, 100V	1	PAVCCZ
	C17341	F1H1H101A971	C 100UF, 50V	1	
	C17402	ECJ1VB1A105K	C 1UF, Z, 10V	1	
	C17404	F1L2A334A034	E 3300UF, 100V	1	PAVCCZ
	C17406	ECJ1VB1A105K	C 1UF, Z, 10V	1	
	C17408	F1L2A334A034	E 3300UF, 100V	1	PAVCCZ
	C17410	ECJ1VB1A105K	C 1UF, Z, 10V	1	
	C17412	F1L2A334A034	E 3300UF, 100V	1	PAVCCZ
	C17414	ECJ1VB1A105K	C 1UF, Z, 10V	1	
	C17416	F1L2A334A034	E 3300UF, 100V	1	PAVCCZ
	C17501	F1H1C104A143	C 0.1UF, K, 16V	1	
	C17502	F1H1H101A971	C 100UF, 50V	1	
	C17507	ECJ1VB1A105K	C 1UF, Z, 10V	1	
	C17509	F1L2A334A034	E 3300UF, 100V	1	PAVCCZ
	C17511	ECJ1VB1A105K	C 1UF, Z, 10V	1	
	C17513	F1L2A334A034	E 3300UF, 100V	1	PAVCCZ
	C17515	ECJ1VB1A105K	C 1UF, Z, 10V	1	
	C17517	F1L2A334A034	E 3300UF, 100V	1	PAVCCZ
	C17519	ECJ1VB1A105K	C 1UF, Z, 10V	1	
	C17521	F1L2A334A034	E 3300UF, 100V	1	PAVCCZ
	C17602	F1H1C104A143	C 0.1UF, K, 16V	1	
	C17603	F1H1H101A971	C 100UF, 50V	1	
	C17608	ECJ1VB1A105K	C 1UF, Z, 10V	1	
	C17610	F1L2A334A034	E 3300UF, 100V	1	PAVCCZ
	C17612	ECJ1VB1A105K	C 1UF, Z, 10V	1	
	C17614	F1L2A334A034	E 3300UF, 100V	1	PAVCCZ
	C17616	ECJ1VB1A105K	C 1UF, Z, 10V	1	
	C17618	F1L2A334A034	E 3300UF, 100V	1	PAVCCZ
	C17620	ECJ1VB1A105K	C 1UF, Z, 10V	1	
	C17622	F1L2A334A034	E 3300UF, 100V	1	PAVCCZ
	C17624	ECJ1VB1A105K	C 1UF, Z, 10V	1	
	C17626	F1L2A334A034	E 3300UF, 100V	1	PAVCCZ
	C17628	ECJ1VB1A105K	C 1UF, Z, 10V	1	
	C17630	F1L2A334A034	E 3300UF, 100V	1	PAVCCZ
	C17632	ECJ1VB1A105K	C 1UF, Z, 10V	1	
	C17634	F1L2A334A034	E 3300UF, 100V	1	PAVCCZ

Safety	Ref. No.	Part No.	Part Name & Description	Pcs	Remarks
	CA1	K1MY55B00002	55P CONNECTOR	1	
	CA2	K1MY55B00002	55P CONNECTOR	1	
	CA3	K1MY55B00002	55P CONNECTOR	1	
	CA4	K1MY55B00002	55P CONNECTOR	1	
	CA5	K1MY55B00002	55P CONNECTOR	1	
	CA6	K1MY55B00002	55P CONNECTOR	1	
	CA7	K1MY55B00002	55P CONNECTOR	1	
	CA8	K1MY55B00002	55P CONNECTOR	1	
	CA9	K1MY55B00002	55P CONNECTOR	1	
	CA10	K1MY55B00002	55P CONNECTOR	1	
	CA11	K1MY55B00002	55P CONNECTOR	1	
	CA12	K1MY55B00002	55P CONNECTOR	1	
	CA13	K1MY55B00002	55P CONNECTOR	1	
	CA14	K1MY55B00002	55P CONNECTOR	1	
	CA15	K1MY55B00002	55P CONNECTOR	1	
	CB1	K1MY55B00002	55P CONNECTOR	1	
	CB2	K1MY55B00002	55P CONNECTOR	1	
	CB3	K1MY55B00002	55P CONNECTOR	1	
	CB4	K1MY55B00002	55P CONNECTOR	1	
	CB5	K1MY55B00002	55P CONNECTOR	1	
	CB6	K1MY55B00002	55P CONNECTOR	1	
	CB7	K1MY55B00002	55P CONNECTOR	1	
	CB8	K1MY55B00002	55P CONNECTOR	1	
	CB9	K1MY55B00002	55P CONNECTOR	1	
	CB10	K1MY55B00002	55P CONNECTOR	1	
	CB11	K1MY55B00002	55P CONNECTOR	1	
	CB12	K1MY55B00002	55P CONNECTOR	1	
	CB13	K1MY55B00002	55P CONNECTOR	1	
	CB14	K1MY55B00002	55P CONNECTOR	1	
	CB15	K1MY55B00002	55P CONNECTOR	1	
	D16001	B0FBCN000005	DIODE	1	
	D16002	B0FBCN000005	DIODE	1	
	D16021	B0FCCN000003	DIODE	1	PAVCCZ
	D16022	B0FCCN000003	DIODE	1	PAVCCZ
	D16032	B0ACCJ000048	DIODE	1	
	D16041	B0FACF000004	DIODE	1	PAVCCZ
	D16050	B0ECKP000055	DIODE	1	
	D16051	B0FBCN000007	DIODE	1	
	D16101	B0JCME000093	DIODE	1	
	D16131	B0ECKP000055	DIODE	1	
	D16151	B0ECKP000055	DIODE	1	
	D16152	B0ECKP000055	DIODE	1	
	D16153	B0ECKP000055	DIODE	1	
	D16191	B0ECKP000055	DIODE	1	
	D16192	B0ACCJ000048	DIODE	1	
	D16196	DZ2J200M0L	ZENER DIODE	1	
	D16253	B3ABB0000210	LED	1	
	D16255	B0ACCJ000048	DIODE	1	
	D16280	B0ACCJ000048	DIODE	1	
	D16281	DZ2J051M0L	ZENER DIODE	1	
	D16285	B0ADEJ000035	ZENER DIODE	1	
	D16286	B0ACCJ000048	DIODE	1	
	D16315	DZ2J150M0L	ZENER DIODE	1	
	D16316	B0ECKP000055	DIODE	1	
	D16317	B0ECKP000055	DIODE	1	
	D16401	DA3DF50ACSLW	ZENER DIODE	1	
	D16402	DA3DF50ACSLW	ZENER DIODE	1	
	D16407	B0JCME000093	DIODE	1	
	D16411	B0ACCJ000048	DIODE	1	
	D16421	B0FACF000006	DIODE	1	
	D16422	B0FACF000005	DIODE	1	
	D16451	B0ECKP000055	DIODE	1	
	D16462	B0FACF000003	DIODE	1	
	D16466	B0ACCJ000048	DIODE	1	
	D16473	B0ACCJ000048	DIODE	1	
	D16474	B0ACCJ000048	DIODE	1	
	D16475	DZ2J051M0L	ZENER DIODE	1	
	D16476	B0ACCJ000048	DIODE	1	
	D16477	DZ2J047L0L	ZENER DIODE	1	
	D16478	B0ACCJ000048	DIODE	1	

Safety	Ref. No.	Part No.	Part Name & Description	Pcs	Remarks
	D16480	B0ACCJ000048	DIODE	1	
	D16482	B0FACF000003	DIODE	1	
	D16490	B0ECKP000055	DIODE	1	
	D16491	B0ECKP000055	DIODE	1	
	D16492	DZ2J047M0L	ZENER DIODE	1	
	D16493	B0ADCJ000100	DIODE	1	
	D16494	B0ADCJ000100	DIODE	1	
	D16497	B0ECKP000055	DIODE	1	
	D16503	B0ECHR000001	DIODE	1	
	D16522	B0ECHR000001	DIODE	1	
	D16523	B0ECHR000001	DIODE	1	
	D16534	B0ECHR000001	DIODE	1	
	D16536	B0ECHR000001	DIODE	1	
	D16583	B3ABB0000210	LED	1	
	D16602	DZ2J150M0L	ZENER DIODE	1	
	D16604	B0ADCJ000100	DIODE	1	
	D16605	DZ2J051L0L	ZENER DIODE	1	
	D16607	B0ACCJ000048	DIODE	1	
	D16610	B0ACCJ000048	DIODE	1	
	D16618	B0ECKP000055	DIODE	1	
	D16641	B0FBCN000006	DIODE	1	
	D16642	B0FBCN000006	DIODE	1	
	D16645	DZ2J150M0L	ZENER DIODE	1	
	D16646	DZ2J150M0L	ZENER DIODE	1	
	D16647	DZ2J150M0L	ZENER DIODE	1	
	D16648	DZ2J051L0L	ZENER DIODE	1	
	D16649	B0ACCJ000048	DIODE	1	
	D16650	B0ACCJ000048	DIODE	1	
	D16651	DZ2J051M0L	ZENER DIODE	1	
	D16652	B0ECKP000055	DIODE	1	
	D16653	B0ACCJ000048	DIODE	1	
	D16654	B0ACCJ000048	DIODE	1	
	D16662	DZ2J150M0L	ZENER DIODE	1	
	D16663	DZ2J150M0L	ZENER DIODE	1	
	D16664	DZ2J150M0L	ZENER DIODE	1	
	D16669	B0ACCJ000048	DIODE	1	
	D16671	B0ACCJ000048	DIODE	1	
	D16673	B0ECHR000001	DIODE	1	
	D16674	B0ECHR000001	DIODE	1	
	D16677	B0ADEJ000035	ZENER DIODE	1	
	D16678	DZ2J15000L	ZENER DIODE	1	
	D16702	B0ACCJ000048	DIODE	1	
	D16710	DZ2J15000L	ZENER DIODE	1	
	D16711	B0ECHR000001	DIODE	1	
	D16712	DZ2J15000L	ZENER DIODE	1	
	D16713	B0ECHR000001	DIODE	1	
	D16719	B0ECKP000055	DIODE	1	
	D16720	B0ECKP000055	DIODE	1	
	D16721	B0ECHR000001	DIODE	1	
	D16728	B0ECKP000055	DIODE	1	
	D16765	B0ECKP000055	DIODE	1	
	D16790	B0JCME000093	DIODE	1	
	D16791	DZ2J200M0L	ZENER DIODE	1	
	D16820	B0ACCJ000048	DIODE	1	
	D16821	DZ2J330M0L	ZENER DIODE	1	
	D16822	B0ADCJ000100	DIODE	1	
	D16824	DZ2J330M0L	ZENER DIODE	1	
	D16825	DZ2J330M0L	ZENER DIODE	1	
	D16859	B0HCKS000002	DIODE	1	
	D16871	DZ2J240M0L	ZENER DIODE	1	
	D16872	DZ2J200M0L	ZENER DIODE	1	
	D16874	DZ2J051M0L	ZENER DIODE	1	
	D16875	B0ACCJ000048	DIODE	1	
	D16893	DZ2J056H0L	ZENER DIODE	1	
	D16901	B0ADCJ000100	DIODE	1	
	D16902	B0ACCJ000048	DIODE	1	
	D16920	B0ADCJ000100	DIODE	1	
	IC16131	C0ZBZ0001707	IC	1	
	IC16151	C0ZBZ0001708	IC	1	
	IC16251	C0BBBA000024	IC	1	
	IC16304	MIP3900MSSCF	IC	1	
	IC16312	C0DBZMC00006	IC	1	

Safety	Ref. No.	Part No.	Part Name & Description	Pcs	Remarks
	IC16471	C0DBEY00114	IC	1	
	IC16490	C0DBZMC00006	IC	1	
	IC16491	NJM2406F	LINEAR IC *	1	
	IC16501	C0ZBZ0001708	IC	1	
	IC16521	C0ZBZ0001708	IC	1	
	IC16563	C0JBAB000916	IC	1	
	IC16564	C0JBAA000377	IC	1	
	IC16581	C0BBBA000024	IC	1	
	IC16661	C0BBBA000024	IC	1	
	IC16691	C0JBAC000363	IC	1	
	IC16692	C0DBZYY00352	IC	1	
	IC16724	C0CBADE00049	IC	1	
	IC16771	C0CBADC00072	IC	1	
	IC16773	C0JBAB000715	IC	1	
	IC16784	MIP3910MSSCF	IC	1	
	IC16785	C0DBZYY00352	IC	1	
	IC16786	MIP3910MSSCF	IC	1	
	IC16787	C0DBZYY00352	IC	1	
	IC16920	C0BBBA000024	IC	1	
	IC17302	C0JBAA0002692	IC	1	
	L16001	G0CR30K00001	PEAKING COIL	1	
	L16011	G0CR30K00001	PEAKING COIL	1	
	L16303	G0C471MA0049	PEAKING COIL	1	PAVCCZ
	L16401	G0CR30K00001	PEAKING COIL	1	
	L16411	G0CR30K00001	PEAKING COIL	1	
	L16472	G0ZZ00002183	PEAKING COIL	1	
	L16698	G0C681MA0065	PEAKING COIL	1	
	L16851	G0ZZ00002183	PEAKING COIL	1	
	PC16191	B3PBA0000496	IC	1	
	PC16301	B3PBA0000498	IC	1	
	PC16461	B3PBE0000054	IC	1	
	PC16480	B3PBA0000498	IC	1	
	PC16603	B3PBA0000498	IC	1	
	PC16684	B3PBA0000496	IC	1	
	PC16685	B3PBA0000496	IC	1	
	PC16722	B3PBA0000498	IC	1	
	PC16723	B3PBA0000498	IC	1	
	PC16896	B3PBA0000498	IC	1	
	PC16897	B3PBA0000498	IC	1	
	Q16001	B1JADN000009	TRANSISTOR	1	
	Q16002	B1JADN000009	TRANSISTOR	1	
	Q16021	B1JADN000008	TRANSISTOR	1	PAVCCZ
	Q16022	B1JADN000008	TRANSISTOR	1	PAVCCZ
	Q16041	B1JAEN000010	TRANSISTOR	1	PAVCCZ
	Q16051	B1JAEN000011	TRANSISTOR	1	PAVCCZ
	Q16055	B1HFPPA00001	TRANSISTOR	1	
	Q16056	B1HFPPA00001	TRANSISTOR	1	
	Q16101	B1CFRM000008	FET	1	
	Q16102	B1CFRM000008	FET	1	
	Q16141	B1HFPPA00001	TRANSISTOR	1	
	Q16161	B1HFPPA00001	TRANSISTOR	1	
	Q16191	B1HFPPA00001	TRANSISTOR	1	
	Q16251	B1ABCF000231	TRANSISTOR	1	
	Q16280	B1ABCF000231	TRANSISTOR	1	
	Q16402	DG3D5020CSLW	TRANSISTOR	1	
	Q16403	DG3D5020CSLW	TRANSISTOR	1	
	Q16421	DG3D4020CSR	TRANSISTOR	1	
	Q16422	DG3D4020CSR	TRANSISTOR	1	
	Q16441	B1JAEP000013	TRANSISTOR	1	
	Q16452	B1JAEP000012	TRANSISTOR	1	
	Q16471	B1ABCF000231	TRANSISTOR	1	
	Q16490	B1CBGD000001	FET	1	
	Q16501	B1HFPPA00001	TRANSISTOR	1	
	Q16521	B1HFPPA00001	TRANSISTOR	1	
	Q16531	B1HFPPA00001	TRANSISTOR	1	
	Q16551	B1HFPPA00001	TRANSISTOR	1	
	Q16601	B1CERR000042	FET	1	
	Q16602	DSC2001Q0L	TRANSISTOR	1	
	Q16603	DSA2001S0L	TRANSISTOR	1	
	Q16606	DSC2001Q0L	TRANSISTOR	1	

Safety	Ref. No.	Part No.	Part Name & Description	Pcs	Remarks
	Q16607	B1CBGD000001	FET	1	
	Q16608	B1CBGD000001	FET	1	
	Q16621	B1JADN000009	TRANSISTOR	1	
	Q16622	B1JADN000009	TRANSISTOR	1	
	Q16645	DSC2001Q0L	TRANSISTOR	1	
	Q16646	DSA2001S0L	TRANSISTOR	1	
	Q16647	B1CBGD000001	FET	1	
	Q16649	B1ABCN000007	TRANSISTOR	1	
	Q16660	B1CERR000042	FET	1	
	Q16661	B1JAER000010	TRANSISTOR	1	
	Q16662	DSC2001Q0L	TRANSISTOR	1	
	Q16663	DSA2001S0L	TRANSISTOR	1	
	Q16668	DSC2001Q0L	TRANSISTOR	1	
	Q16670	B1ADCN000007	TRANSISTOR	1	
	Q16671	B1ABCF000231	TRANSISTOR	1	
	Q16675	B1ADCN000007	TRANSISTOR	1	
	Q16676	B1ABCF000231	TRANSISTOR	1	
	Q16677	DSC2001Q0L	TRANSISTOR	1	
	Q16678	B1ABCF000231	TRANSISTOR	1	
	Q16701	B1ADCN000007	TRANSISTOR	1	
	Q16702	B1ABCF000231	TRANSISTOR	1	
	Q16762	B1HFPPA00001	TRANSISTOR	1	
	Q16801	DSA2001S0L	TRANSISTOR	1	
	Q16810	B1ABCF000231	TRANSISTOR	1	
	Q16815	B1ABCN000007	TRANSISTOR	1	
	Q16816	DSC2001Q0L	TRANSISTOR	1	
	Q16817	DSC2001Q0L	TRANSISTOR	1	
	Q16818	B1CBGD000001	FET	1	
	Q16876	B1ABCF000231	TRANSISTOR	1	
	Q16885	B1CFNG000001	FET	1	
	Q16920	B1ABCN000007	TRANSISTOR	1	
	Q16921	B1ABCN000007	TRANSISTOR	1	
	Q16930	DSC2001Q0L	TRANSISTOR	1	
	Q16931	B1ABCN000007	TRANSISTOR	1	
	Q16932	DSC2001Q0L	TRANSISTOR	1	
	R16001	D0GF7R5JA047	M 7.5 OHM, J, 0.33W	1	
	R16002	D0GF7R5JA047	M 7.5 OHM, J, 0.33W	1	
	R16021	D0GF7R5JA047	M 7.5 OHM, J, 0.33W	1	
	R16022	D0GF7R5JA047	M 7.5 OHM, J, 0.33W	1	
	R16031	ERJ6ENF8202	M 82KOHM, 1/10W	1	
	R16032	ERJ6ENF8202	M 82KOHM, 1/10W	1	
	R16033	ERJ6ENF5602	M 56KOHM, 1/10W	1	
	R16034	ERJ6ENF2702	M 27KOHM, 1/10W	1	
	R16041	D0GF5R6JA047	M 5.6 OHM, J, 0.33W	1	
	R16051	D0GF5R6JA047	M 5.6 OHM, J, 0.33W	1	
	R16101	D0GD221JA059	M 220 OHM, F, 0.25W	1	
	R16102	D0GD221JA059	M 220 OHM, F, 0.25W	1	
	R16103	D0GD100JA059	M 10 OHM, J, 0.25W	1	
	R16104	D0GD100JA059	M 10 OHM, J, 0.25W	1	
	R16105	ERJ8GEYJ474	M 470KOHM, J, 1/8W	1	
	R16109	D0GD100JA059	M 10 OHM, J, 0.25W	1	
	R16116	D0GB473JA057	M 47KOHM, J, 1/10W	1	
	R16131	ERJ8GEYJ101V	M 100 OHM, J, 1/8W	1	
	R16132	ERJ8GEYJ101V	M 100 OHM, J, 1/8W	1	
	R16134	D0GD750JA059	M 75 OHM, J, 0.25W	1	
	R16137	D0GF1R0JA047	M 1.0 OHM, J, 0.33W	1	
	R16141	D0GD100JA059	M 10 OHM, J, 0.25W	1	
	R16143	D0GB473JA057	M 47KOHM, J, 1/10W	1	
	R16151	ERJ8GEYJ101V	M 100 OHM, J, 1/8W	1	
	R16152	ERJ8GEYJ101V	M 100 OHM, J, 1/8W	1	
	R16154	D0GD750JA059	M 75 OHM, J, 0.25W	1	

Safety	Ref. No.	Part No.	Part Name & Description	Pcs	Remarks
	R16155	D0GF1R0JA047	M 1.0 OHM,J, 0.33W	1	
	R16159	D0GF1R0JA047	M 1.0 OHM,J, 0.33W	1	
	R16161	D0GD100JA059	M 10 OHM,J,0.25W	1	
	R16163	D0GB473JA057	M 47KOHM,J,1/10W	1	
	R16171	D0GD100JA059	M 10 OHM,J,0.25W	1	
	R16173	D0GB473JA057	M 47KOHM,J,1/10W	1	
	R16181	D0GD100JA059	M 10 OHM,J,0.25W	1	
	R16183	D0GB473JA057	M 47KOHM,J,1/10W	1	
	R16191	ERJ6GEYJ151V	M 150 OHM,J,1/10W	1	
	R16192	D0GB103JA057	M 10K OHM J 1/10W	1	
	R16193	ERJ6GEYJ750	M 75 OHM,J,1/10W	1	
	R16195	D0GF1R0JA047	M 1.0 OHM,J, 0.33W	1	
	R16230	ERJ6GEYJ470V	M 47 OHM,J,1/10W	1	
	R16231	ERJ3GEYJ472	M 4.7KOHM,J,1/16W	1	
	R16241	EXB38V470J	RESISTOR ARRAY	1	
	R16242	EXB38V472JV	RESISTOR ARRAY	1	
	R16251	D1BB1401A055	M 1.4KOHM, 1/10W	1	
	R16252	ERJ6ENF3902	M 39KOHM, 1/10W	1	
	R16253	ERJ6ENF3902	M 39KOHM, 1/10W	1	
	R16254	ERJ6ENF6801	M 6.8KOHM, 1/10W	1	
	R16255	D1BB1201A055	M 1.2KOHM, 1/10W	1	
	R16256	D1BB1501A055	M 1.5KOHM, 1/10W	1	
	R16257	D0GB273JA041	M 27K OHM J 1/10W	1	
	R16258	D0GB103JA057	M 10K OHM J 1/10W	1	
	R16260	ERJ6GEYJ222V	M 2.2K OHM J 1/10W	1	
	R16280	D0GB222JA041	M 2.2KOHM,J,1/10W	1	
	R16281	D0GB103JA057	M 10K OHM J 1/10W	1	
	R16282	ERJ6GEYJ221V	M 220 OHM,J,1/10W	1	
	R16283	D0GB473JA057	M 47KOHM,J,1/10W	1	
	R16284	D0GB224JA041	M 2.2KOHM,J,1/10W	1	
	R16285	EXB38V623J	RESISTOR ARRAY	1	
	R16288	D0GF334JA047	M 330KOHM,F,0.33W	1	
	R16289	D0GF334JA047	M 330KOHM,F,0.33W	1	
	R16290	D0GF334JA047	M 330KOHM,F,0.33W	1	
	R16307	ERJ6RBD5112	M51.1KOHM,F,1/10W	1	PAVCCZ
	R16309	ERG1SJ273	M 27KOHM, J, 1W	1	
	R16318	ERJ6RBD7682	M76.8KOHM,F,1/10W	1	PAVCCZ
	R16319	ERJ6RBD2491	M 2.49KOHM, 1/10W	1	
	R16320	ERJ14YJ683	M 68KOHM, 1/4W	1	
	R16330	D0GB102JA041	M 1KOHM,J,1/10W	1	
	R16332	D0GB474JA041	M 470KOHM,J,1/10W	1	
	R16334	ERJ3GEYJ472	M 4.7KOHM,J,1/16W	1	
	R16335	D0GB102JA041	M 1KOHM,J,1/10W	1	
	R16402	D0GF7R5JA047	M 7.5 OHM,J, 0.33W	1	
	R16403	D0GF7R5JA047	M 7.5 OHM,J, 0.33W	1	
	R16410	D0GB391JA041	M 390 OHM,J,1/10W	1	
	R16411	ERJ6ENF2700	M 270 OHM, 1/10W	1	
	R16416	D0GB103JA057	M 10K OHM J 1/10W	1	
	R16417	ERJ6GEYJ101V	M 100 OHM,J,1/10W	1	
	R16418	ERJ6GEYJ101V	M 100 OHM,J,1/10W	1	

Safety	Ref. No.	Part No.	Part Name & Description	Pcs	Remarks
	R16421	D0GF7R5JA047	M 7.5 OHM,J, 0.33W	1	
	R16422	D0GF7R5JA047	M 7.5 OHM,J, 0.33W	1	
	R16441	D0GF5R6JA047	M 5.6 OHM,J, 0.33W	1	
	R16452	D0GF5R6JA047	M 5.6 OHM,J, 0.33W	1	
	R16465	ERJ6ENF2702	M 27KOHM, 1/10W	1	
	R16466	ERJ6ENF5602	M 56KOHM, 1/10W	1	
	R16467	ERJ6ENF8202	M 82KOHM, 1/10W	1	
	R16468	ERJ6ENF8202	M 82KOHM, 1/10W	1	
	R16471	D0GB392JA041	M 3.9KOHM,J,1/10W	1	
	R16472	D0GB222JA041	M 2.2KOHM,J,1/10W	1	
	R16473	ERJ6GEYF561	M 560 OHM,F,1/10W	1	
	R16474	D0GB102JA041	M 1KOHM,J,1/10W	1	
	R16475	ERJ3GEYJ472	M 4.7KOHM,J,1/16W	1	
	R16476	ERJ3GEYJ472	M 4.7KOHM,J,1/16W	1	
	R16478	D0GB562JA041	M 5.6KOHM,J,1/10W	1	
	R16479	ERJ6GEYJ103V	M 10K OHM J 1/10W	1	
	R16490	ERJ6RED124	M 120KOHM, 1/10W	1	
	R16491	ERJ6RED124	M 120KOHM, 1/10W	1	
	R16492	ERJ6RED124	M 120KOHM, 1/10W	1	
	R16493	ERJ6RBD6191	M 6.19KOHM, 1/10W	1	
	R16494	D1BB2001A055	M 2KOHM, 1/10W	1	
	R16495	ERJ6ENF7500	M 750 OHM, 1/10W	1	
	R16496	ERJ6GEYJ470V	M 47 OHM,J,1/10W	1	
	R16497	D0GB473JA057	M 47KOHM,J,1/10W	1	
	R16498	D0GB103JA057	M 10K OHM J 1/10W	1	
	R16503	D0GD100JA059	M 10 OHM,J,0.25W	1	
	R16504	D0GD750JA059	M 75 OHM,J,0.25W	1	
	R16506	D0GD100JA059	M 10 OHM,J,0.25W	1	
	R16509	D0GF1R0JA047	M 1.0 OHM,J, 0.33W	1	
	R16512	D0GB473JA057	M 47KOHM,J,1/10W	1	
	R16517	D0GB473JA057	M 47KOHM,J,1/10W	1	
	R16521	ERJ6GEYJ101V	M 100 OHM,J,1/10W	1	
	R16522	ERJ6GEYJ101V	M 100 OHM,J,1/10W	1	
	R16523	D0GD750JA059	M 75 OHM,J,0.25W	1	
	R16531	D0GD100JA059	M 10 OHM,J,0.25W	1	
	R16533	D0GB473JA057	M 47KOHM,J,1/10W	1	
	R16534	D0GF5R6JA047	M 5.6 OHM,J, 0.33W	1	
	R16551	D0GD100JA059	M 10 OHM,J,0.25W	1	
	R16553	D0GB473JA057	M 47KOHM,J,1/10W	1	
	R16561	EXB38V470J	RESISTOR ARRAY	1	
	R16562	EXB38V470J	RESISTOR ARRAY	1	
	R16563	EXB38V470J	RESISTOR ARRAY	1	
	R16564	EXB38V470J	RESISTOR ARRAY	1	
	R16565	EXB38V472JV	RESISTOR ARRAY	1	
	R16566	EXB38V472JV	RESISTOR ARRAY	1	
	R16567	EXB38V472JV	RESISTOR ARRAY	1	
	R16568	EXB38V472JV	RESISTOR ARRAY	1	
	R16570	EXB38V472JV	RESISTOR ARRAY	1	
	R16579	EXB38V470J	RESISTOR ARRAY	1	
	R16580	D0GB562JA041	M 5.6KOHM,J,1/10W	1	
	R16582	ERJ6ENF3902	M 39KOHM, 1/10W	1	
	R16583	ERJ6ENF3902	M 39KOHM, 1/10W	1	
	R16584	ERJ6ENF6801	M 6.8KOHM, 1/10W	1	
	R16585	D1BB1001A055	M 1KOHM, 1/10W	1	
	R16586	D1BB2151A055	M 2.15KOHM, 1/10W	1	
	R16587	D0GB222JA041	M 2.2KOHM,J,1/10W	1	
	R16588	D0GB103JA057	M 10K OHM J 1/10W	1	

Safety	Ref. No.	Part No.	Part Name & Description	Pcs	Remarks
	R16590	ERJ3GEYJ221	M 220 OHM,J,1/16W	1	
	R16591	EXB38V472JV	RESISTOR ARRAY	1	
	R16593	D1BB1401A055	M 1.4KOHM, 1/10W	1	
	R16601	D0GF1R0JA047	M 1.0 OHM,J,0.33W	1	
	R16604	ERJ6GEYJ331V	M 330 OHM J 1/10W	1	
	R16605	ERJ6GEYJ182	M 1.8KOHM,J,1/10W	1	
	R16607	D1BB6981A055	M6.98KOHM, 1/10W	1	
	R16609	D0GF202JA047	M 2KOHM,J, 0.33W	1	
	R16610	D0GB104JA041	M 100KOHM J 1/10W	1	
	R16612	D0GD470JA059	M 47 OHM,J,0.25W	1	
	R16615	D1BB1101A055	M 1.1 KOHM, 1/10W	1	
	R16617	ERJ6GEYJ222V	M 2.2K OHM J 1/10W	1	
	R16621	ERJ6GEYJ221V	M 220 OHM,J,1/10W	1	
	R16622	ERJ6GEYJ221V	M 220 OHM,J,1/10W	1	
	R16631	D0GB103JA057	M 10K OHM J 1/10W	1	
	R16633	ERJ6GEYJ223	M 22KOHM,J,1/10W	1	
	R16634	ERJ6GEYJ471	M 470 OHM,J,1/10W	1	
	R16645	D0GB562JA041	M 5.6KOHM,J,1/10W	1	
	R16646	D1BB1181A055	M 1.18KOHM, 1/10W	1	
	R16648	D0GF202JA047	M 2KOHM,J, 0.33W	1	
	R16649	D0GD330JA059	M 33 OHM,F,0.25W	1	
	R16650	D0GB104JA041	M 100KOHM J 1/10W	1	
	R16651	D0GF202JA047	M 2KOHM,J, 0.33W	1	
	R16652	ERJ6GEYF822	M 8.2KOHM,F,1/10W	1	
	R16653	ERJ8GEYJ182	M 1.8KOHM, J,1/8W	1	
	R16654	ERJ6GEYJ470V	M 47 OHM,J,1/10W	1	
	R16655	D0GB103JA057	M 10K OHM J 1/10W	1	
	R16656	ERJ8GEYJ472V	M 4.7KOHM, J,1/8W	1	
	R16658	ERJ3RBD6341	M6.34 OHM, 1/16W	1	
	R16659	ERJ6GEY0R00V	M 0 OHM J 1/10W	1	
	R16660	ERJ6GEYJ222V	M 2.2K OHM J 1/10W	1	
	R16661	D0GB122JA041	N 1.2KOHM J 1/10W	1	
	R16662	D1BB1002A087	M 10KOHM, 1/10W	1	
	R16663	ERJ6RBD7151	M 7.15KOHM, 1/10W	1	
	R16664	D0GF202JA047	M 2KOHM,J, 0.33W	1	
	R16665	D0GD330JA059	M 33 OHM,F,0.25W	1	
	R16666	D1BB2202A087	M 22KOHM, 1/10W	1	
	R16667	D0GF202JA047	M 2KOHM,J, 0.33W	1	
	R16668	D0GF202JA047	M 2KOHM,J, 0.33W	1	
	R16673	ERJ6GEYJ472V	M 4.7K OHM J 1/10W	1	
	R16674	D0GF202JA047	M 2KOHM,J, 0.33W	1	
	R16675	ERJ3GEYJ472	M 4.7KOHM,J,1/16W	1	
	R16677	D0GF202JA047	M 2KOHM,J, 0.33W	1	
	R16678	D0GF202JA047	M 2KOHM,J, 0.33W	1	
	R16679	ERJ3RBD1072	M10.7KOHM, 1/16W	1	
	R16680	ERJ6GEYJ472V	M 4.7K OHM J 1/10W	1	
	R16681	D0GD100JA059	M 10 OHM,J,0.25W	1	
	R16682	D0GD100JA059	M 10 OHM,J,0.25W	1	
	R16684	ERJ6GEYJ221V	M 220 OHM,J,1/10W	1	
	R16685	ERJ6GEYJ221V	M 220 OHM,J,1/10W	1	
	R16686	D0GB103JA057	M 10K OHM J 1/10W	1	

Safety	Ref. No.	Part No.	Part Name & Description	Pcs	Remarks
	R16687	D1BB2702A055	M 27KOHM, 1/10W	1	
	R16688	D1BB8871A055	M8.87KOHM, 1/10W	1	
	R16690	ERJ3GEYJ472	M 4.7KOHM,J,1/16W	1	
	R16691	ERJ8GEYJ563	M 56KOHM, J,1/8W	1	
	R16692	ERJ6RBD152	M 1.5KOHM,J,1/10W	1	
	R16694	ERJ8GEYJ563	M 56KOHM, J,1/8W	1	
	R16695	ERJ6RBD152	M 1.5KOHM,J,1/10W	1	
	R16696	ERF5TK2R2	W 2.2 OHM, K, 5W	1	
	R16699	D0GB103JA057	M 10K OHM J 1/10W	1	
	R16707	ERJ6GEYJ392	M 3.9KOHM,J,1/10W	1	
	R16711	ERJ3GEYJ472	M 4.7KOHM,J,1/16W	1	
	R16712	ERJ6GEYJ102V	M 1K OHM J 1/10W	1	
	R16717	D0GB102JA041	M 1KOHM,J,1/10W	1	
	R16719	ERJ3GEYJ220	M 22 OHM,J,1/16W	1	
	R16720	ERJ3GEYJ220	M 22 OHM,J,1/16W	1	
	R16721	EXB38V220JV	RESISTOR ARRAY	1	
	R16742	D0GB473JA057	M 47KOHM,J,1/10W	1	
	R16745	D0GB474JA041	M 470KOHM,J,1/10W	1	
	R16746	ERJ6GEYF473	M 47KOHM,J,1/10W	1	
	R16747	ERJ6GEYJ222V	M 2.2K OHM J 1/10W	1	
	R16750	D0GD123JA059	M 12KOHM,F,0.25W	1	
	R16751	D0GD154JA059	M 150KOHM,F,0.25W	1	
	R16752	ERJ3GEYJ472	M 4.7KOHM,J,1/16W	1	
	R16753	ERJ6GEYF473	M 47KOHM,J,1/10W	1	
	R16755	D0GD123JA059	M 12KOHM,F,0.25W	1	
	R16756	D0GD123JA059	M 12KOHM,F,0.25W	1	
	R16761	D0GD100JA059	M 10 OHM,J,0.25W	1	
	R16763	D0GB473JA057	M 47KOHM,J,1/10W	1	
	R16765	D0GD100JA059	M 10 OHM,J,0.25W	1	
	R16769	D0GD750JA059	M 75 OHM,J,0.25W	1	
	R16772	ERJ3GEYJ472	M 4.7KOHM,J,1/16W	1	
	R16773	ERJ6GEYJ102V	M 1K OHM J 1/10W	1	
	R16774	ERG1S273	M 27KOHM, J, 1W	1	
	R16776	ERJ6GEYJ470V	M 47 OHM,J,1/10W	1	
	R16783	D0GD154JA059	M 150KOHM,F,0.25W	1	
	R16785	ERJ6ENF1073	M 107KOHM, 1/10W	1	
	R16786	ERJ6ENF1073	M 107KOHM, 1/10W	1	
	R16787	ERJ6ENF3302	M 33KOHM, 1/10W	1	
	R16789	D0GB103JA057	M 10K OHM J 1/10W	1	
	R16791	D0GB102JA041	M 1KOHM,J,1/10W	1	
	R16801	ERJ6RBD223V	M 22KOHM, 1/16W	1	
	R16802	ERJ6RBD3092	M30.9KOHM,F,1/10W	1	
	R16804	ERJ8GEYJ112	M 1.1KOHM, J,1/8W	1	
	R16822	ERJ6ENF8202	M 82KOHM, 1/10W	1	
	R16823	ERJ6ENF8202	M 82KOHM, 1/10W	1	
	R16824	ERJ6ENF3302	M 33KOHM, 1/10W	1	
	R16825	D0GD154JA059	M 150KOHM,F,0.25W	1	
	R16826	ERJ6GEYJ103V	M 10K OHM J 1/10W	1	
	R16827	D0GB222JA041	M 2.2KOHM,J,1/10W	1	
	R16829	D0GB102JA041	M 1KOHM,J,1/10W	1	
	R16831	ERJ6RBD6812	M68.1KOHM,F,1/10W	1	
	R16832	ERJ6RBD7152	M71.5KOHM,F,1/10W	1	
	R16837	D0GB102JA041	M 1KOHM,J,1/10W	1	
	R16838	ERG1FJS104D	M 100KOHM, J, 1W	1	
	R16841	ERJ3GEYJ472	M 4.7KOHM,J,1/16W	1	
	R16843	ERJ6GEYJ102V	M 1K OHM J 1/10W	1	

Safety	Ref. No.	Part No.	Part Name & Description	Pcs	Remarks
	R16844	ERA6YEB242	M 24KOHM, 1/10W	1	
	R16845	ERJ6RBD6652	M66.5KOHM, F, 1/10W	1	
	R16846	ERJ6RBD6492	M64.9KOHM, F, 1/10W	1	
	R16849	ERJ6RBD6492	M64.9KOHM, F, 1/10W	1	
	R16851	D0GB474JA041	M 470KOHM, J, 1/10W	1	
	R16852	D0GB474JA041	M 470KOHM, J, 1/10W	1	
	R16860	ERG2FNJS8R2E	M 8.2 OHM, J, 2W	1	
	R16870	ERJ14YJ683	M 68KOHM, 1/4W	1	
	R16873	ERA6YEB242	M 24KOHM, 1/10W	1	
	R16891	D1BF6982A058	M 6.98KOHM, 1/4W	1	
	R16892	D1BF8252A058	M 8.25KOHM, 1/4W	1	
	R16893	D1BF8252A058	M 8.25KOHM, 1/4W	1	
	R16897	D1BB1001A055	M 1KOHM, 1/10W	1	
	R16898	D1BB1051A055	M 1.05KOHM, 1/10W	1	
	R16899	D1BB2741A055	M2.74KOHM, 1/10W	1	
	R16900	D0GB103JA057	M 10K OHM J 1/10W	1	
	R16901	ERJ3GEYJ472	M 4.7KOHM, J, 1/16W	1	
	R16904	ERJ6GEYJ223	M 22KOHM, J, 1/10W	1	
	R16920	D0GB103JA057	M 10K OHM J 1/10W	1	
	R16921	D1BB1241A055	M1.24KOHM, 1/10W	1	
	R16922	D1BB3481A055	M3.48KOHM, 1/10W	1	
	R16923	D0GB103JA057	M 10K OHM J 1/10W	1	
	R16926	ERJ6GEYJ222V	M 2.2K OHM J 1/10W	1	
	R16927	ERJ6GEYJ223	M 22KOHM, J, 1/10W	1	
	R16928	ERJ6GEYJ472V	M 4.7K OHM J 1/10W	1	
	R16929	D0GF1R0JA047	M 1.0 OHM, J, 0.33W	1	
	R16930	D1BF2R70A021	M 2.7 OHM, 1/4W	1	
	R16931	D1BF2R70A021	M 2.7 OHM, 1/4W	1	
	R16932	ERJ6GEYJ223	M 22KOHM, J, 1/10W	1	
	R16933	D1BB1002A055	M 10KOHM, 1/10W	1	
	R16934	D1BB6801A055	M 6.8KOHM, 1/10W	1	
	R16935	D0GB512JA041	M 5.1KOHM, J, 1/10W	1	
	R16936	D0GB222JA041	M 2.2KOHM, J, 1/10W	1	
	R16937	D0GB184JA041	M 180KOHM J 1/10W	1	
	R16938	D0GB184JA041	M 180KOHM J 1/10W	1	
	R17100	D0GF151JA047	M 150 OHM, J, 0.33W	1	
	R17101	D0GB101JA041	M 100 OHM, J, 1/10W	1	
	R17102	D0GB101JA041	M 100 OHM, J, 1/10W	1	
	R17103	D0GB201JA041	M 200 OHM, J, 1/10W	1	PAVCCZ
	R17104	D0GB101JA041	M 100 OHM, J, 1/10W	1	
	R17105	D0GB101JA041	M 100 OHM, J, 1/10W	1	
	R17106	D0GZ1R0JA020	C1.0 OHM, J, 0.5W	1	PAVCCZ
	R17107	D0GB201JA041	M 200 OHM, J, 1/10W	1	PAVCCZ
	R17109	D0GZ1R0JA020	C1.0 OHM, J, 0.5W	1	PAVCCZ
	R17111	D0GB101JA041	M 100 OHM, J, 1/10W	1	
	R17112	D0GB101JA041	M 100 OHM, J, 1/10W	1	
	R17113	D0GB201JA041	M 200 OHM, J, 1/10W	1	PAVCCZ
	R17114	D0GB101JA041	M 100 OHM, J, 1/10W	1	

Safety	Ref. No.	Part No.	Part Name & Description	Pcs	Remarks
	R17115	D0GB101JA041	M 100 OHM, J, 1/10W	1	
	R17116	D0GB201JA041	M 200 OHM, J, 1/10W	1	PAVCCZ
	R17117	D0GZ1R0JA020	C1.0 OHM, J, 0.5W	1	PAVCCZ
	R17119	D0GZ1R0JA020	C1.0 OHM, J, 0.5W	1	PAVCCZ
	R17123	D0GB102JA041	M 1KOHM, J, 1/10W	1	
	R17124	ERJ6GEYJ224	M 220KOHM, J, 1/10W	1	
	R17200	D0GB101JA041	M 100 OHM, J, 1/10W	1	
	R17201	D0GB101JA041	M 100 OHM, J, 1/10W	1	
	R17202	D0GB201JA041	M 200 OHM, J, 1/10W	1	PAVCCZ
	R17203	D0GB101JA041	M 100 OHM, J, 1/10W	1	
	R17204	D0GZ1R0JA020	C1.0 OHM, J, 0.5W	1	PAVCCZ
	R17205	D0GB101JA041	M 100 OHM, J, 1/10W	1	
	R17207	D0GB201JA041	M 200 OHM, J, 1/10W	1	PAVCCZ
	R17209	D0GZ1R0JA020	C1.0 OHM, J, 0.5W	1	PAVCCZ
	R17214	D0GB101JA041	M 100 OHM, J, 1/10W	1	
	R17215	D0GB101JA041	M 100 OHM, J, 1/10W	1	
	R17216	D0GB101JA041	M 100 OHM, J, 1/10W	1	
	R17217	D0GB101JA041	M 100 OHM, J, 1/10W	1	
	R17218	D0GB101JA041	M 100 OHM, J, 1/10W	1	
	R17219	D0GB101JA041	M 100 OHM, J, 1/10W	1	
	R17220	D0GZ1R0JA020	C1.0 OHM, J, 0.5W	1	PAVCCZ
	R17222	D0GZ1R0JA020	C1.0 OHM, J, 0.5W	1	PAVCCZ
	R17224	EXB38V470J	RESISTOR ARRAY	1	
	R17225	EXB38V470J	RESISTOR ARRAY	1	
	R17226	D0GB681JA041	M 680 OHM, J, 1/10W	1	
	R17227	EXB38V681J	RESISTOR ARRAY	1	
	R17228	ERJ6GEY0R00V	M 0 OHM J 1/10W	1	
	R17229	ERJ6GEYJ224	M 220KOHM, J, 1/10W	1	
	R17232	D0GBR00Z0002	M 0 OHM J 1/10W	1	
	R17233	D0GBR00Z0002	M 0 OHM J 1/10W	1	
	R17296	D0GBR00Z0002	M 0 OHM J 1/10W	1	
	R17300	EXB38V681J	RESISTOR ARRAY	1	
	R17301	D0GB681JA041	M 680 OHM, J, 1/10W	1	
	R17302	EXB38V470J	RESISTOR ARRAY	1	
	R17303	EXB38V470J	RESISTOR ARRAY	1	
	R17304	D0GB101JA041	M 100 OHM, J, 1/10W	1	
	R17305	D0GB101JA041	M 100 OHM, J, 1/10W	1	
	R17306	D0GB201JA041	M 200 OHM, J, 1/10W	1	PAVCCZ
	R17307	D0GZ1R0JA020	C1.0 OHM, J, 0.5W	1	PAVCCZ
	R17309	D0GB101JA041	M 100 OHM, J, 1/10W	1	
	R17310	D0GB101JA041	M 100 OHM, J, 1/10W	1	
	R17312	D0GB201JA041	M 200 OHM, J, 1/10W	1	PAVCCZ
	R17313	D0GZ1R0JA020	C1.0 OHM, J, 0.5W	1	PAVCCZ
	R17318	D0GB101JA041	M 100 OHM, J, 1/10W	1	
	R17319	D0GB101JA041	M 100 OHM, J, 1/10W	1	

Safety	Ref. No.	Part No.	Part Name & Description	Pcs	Remarks
	R17320	D0GB201JA041	M 200 OHM,J,1/10W	1	PAVCCZ
	R17321	EXB38V681J	RESISTOR ARRAY	1	
	R17322	D0GZ1R0JA020	C1.0 OHM, J, 0.5W	1	PAVCCZ
	R17323	EXB38V681J	RESISTOR ARRAY	1	
	R17325	EXB38V470J	RESISTOR ARRAY	1	
	R17326	EXB38V470J	RESISTOR ARRAY	1	
	R17327	D0GB101JA041	M 100 OHM,J,1/10W	1	
	R17328	D0GB101JA041	M 100 OHM,J,1/10W	1	
	R17329	D0GB201JA041	M 200 OHM,J,1/10W	1	PAVCCZ
	R17330	D0GZ1R0JA020	C1.0 OHM, J, 0.5W	1	PAVCCZ
	R17332	D0GB101JA041	M 100 OHM,J,1/10W	1	
	R17333	D0GB101JA041	M 100 OHM,J,1/10W	1	
	R17334	D0GB201JA041	M 200 OHM,J,1/10W	1	PAVCCZ
	R17335	D0GZ1R0JA020	C1.0 OHM, J, 0.5W	1	PAVCCZ
	R17337	D0GB101JA041	M 100 OHM,J,1/10W	1	
	R17338	D0GB101JA041	M 100 OHM,J,1/10W	1	
	R17339	D0GB201JA041	M 200 OHM,J,1/10W	1	PAVCCZ
	R17340	D0GZ1R0JA020	C1.0 OHM, J, 0.5W	1	PAVCCZ
	R17342	D0GB101JA041	M 100 OHM,J,1/10W	1	
	R17343	D0GB101JA041	M 100 OHM,J,1/10W	1	
	R17344	ERJ6GEYJ224	M 220KOHM,J,1/10W	1	
	R17345	D0GB101JA041	M 100 OHM,J,1/10W	1	
	R17346	D0GZ1R0JA020	C1.0 OHM, J, 0.5W	1	PAVCCZ
	R17348	D0GF151JA047	M 150 OHM,J, 0.33W	1	
	R17360	ERJ6GEY0R00V	M 0 OHM J 1/10W	1	
	R17393	D0GBR00Z0002	M 0 OHM J 1/10W	1	
	R17394	D0GBR00Z0002	M 0 OHM J 1/10W	1	
	R17395	D0GBR00Z0002	M 0 OHM J 1/10W	1	
	R17401	D0GB102JA041	M 1KOHM,J,1/10W	1	
	R17402	ERJ6GEYJ224	M 220KOHM,J,1/10W	1	
	R17403	ERJ3GEYJ101	M 100 OHM,J,1/16W	1	
	R17404	ERJ3GEYJ101	M 100 OHM,J,1/16W	1	
	R17405	D0GB201JA041	M 200 OHM,J,1/10W	1	PAVCCZ
	R17406	D0GZ1R0JA020	C1.0 OHM, J, 0.5W	1	PAVCCZ
	R17409	ERJ3GEYJ101	M 100 OHM,J,1/16W	1	
	R17410	ERJ3GEYJ101	M 100 OHM,J,1/16W	1	
	R17411	D0GB201JA041	M 200 OHM,J,1/10W	1	PAVCCZ
	R17412	D0GZ1R0JA020	C1.0 OHM, J, 0.5W	1	PAVCCZ
	R17414	ERJ3GEYJ101	M 100 OHM,J,1/16W	1	
	R17415	ERJ3GEYJ101	M 100 OHM,J,1/16W	1	
	R17416	D0GB201JA041	M 200 OHM,J,1/10W	1	PAVCCZ
	R17417	D0GZ1R0JA020	C1.0 OHM, J, 0.5W	1	PAVCCZ
	R17419	ERJ3GEYJ101	M 100 OHM,J,1/16W	1	
	R17420	ERJ3GEYJ101	M 100 OHM,J,1/16W	1	

Safety	Ref. No.	Part No.	Part Name & Description	Pcs	Remarks
	R17421	D0GB201JA041	M 200 OHM,J,1/10W	1	PAVCCZ
	R17422	D0GZ1R0JA020	C1.0 OHM, J, 0.5W	1	PAVCCZ
	R17501	ERJ6GEYJ224	M 220KOHM,J,1/10W	1	
	R17502	EXB38V470J	RESISTOR ARRAY	1	
	R17503	EXB38V470J	RESISTOR ARRAY	1	
	R17504	EXB38V681J	RESISTOR ARRAY	1	
	R17505	D0GBR00Z0002	M 0 OHM J 1/10W	1	
	R17506	D0GBR00Z0002	M 0 OHM J 1/10W	1	
	R17507	ERJ3GEYJ101	M 100 OHM,J,1/16W	1	
	R17508	ERJ3GEYJ101	M 100 OHM,J,1/16W	1	
	R17509	D0GB201JA041	M 200 OHM,J,1/10W	1	PAVCCZ
	R17510	D0GZ1R0JA020	C1.0 OHM, J, 0.5W	1	PAVCCZ
	R17512	ERJ3GEYJ101	M 100 OHM,J,1/16W	1	
	R17513	ERJ3GEYJ101	M 100 OHM,J,1/16W	1	
	R17514	ERJ3GEYJ101	M 100 OHM,J,1/16W	1	
	R17515	D0GZ1R0JA020	C1.0 OHM, J, 0.5W	1	PAVCCZ
	R17517	ERJ3GEYJ101	M 100 OHM,J,1/16W	1	
	R17518	ERJ3GEYJ101	M 100 OHM,J,1/16W	1	
	R17519	D0GB201JA041	M 200 OHM,J,1/10W	1	PAVCCZ
	R17520	D0GZ1R0JA020	C1.0 OHM, J, 0.5W	1	PAVCCZ
	R17522	ERJ3GEYJ101	M 100 OHM,J,1/16W	1	
	R17523	ERJ3GEYJ101	M 100 OHM,J,1/16W	1	
	R17524	ERJ3GEYJ101	M 100 OHM,J,1/16W	1	
	R17525	D0GZ1R0JA020	C1.0 OHM, J, 0.5W	1	PAVCCZ
	R17527	D0GBR00Z0002	M 0 OHM J 1/10W	1	
	R17601	ERJ6GEYJ224	M 220KOHM,J,1/10W	1	
	R17602	EXB38V681J	RESISTOR ARRAY	1	
	R17603	EXB38V470J	RESISTOR ARRAY	1	
	R17604	EXB38V470J	RESISTOR ARRAY	1	
	R17605	D0GBR00Z0002	M 0 OHM J 1/10W	1	
	R17606	D0GBR00Z0002	M 0 OHM J 1/10W	1	
	R17607	ERJ3GEYJ101	M 100 OHM,J,1/16W	1	
	R17608	ERJ3GEYJ101	M 100 OHM,J,1/16W	1	
	R17609	D0GB201JA041	M 200 OHM,J,1/10W	1	PAVCCZ
	R17610	D0GZ1R0JA020	C1.0 OHM, J, 0.5W	1	PAVCCZ
	R17612	ERJ3GEYJ101	M 100 OHM,J,1/16W	1	
	R17613	ERJ3GEYJ101	M 100 OHM,J,1/16W	1	
	R17614	D0GB201JA041	M 200 OHM,J,1/10W	1	PAVCCZ
	R17615	D0GZ1R0JA020	C1.0 OHM, J, 0.5W	1	PAVCCZ
	R17617	ERJ3GEYJ101	M 100 OHM,J,1/16W	1	
	R17618	ERJ3GEYJ101	M 100 OHM,J,1/16W	1	
	R17619	D0GB201JA041	M 200 OHM,J,1/10W	1	PAVCCZ
	R17620	D0GZ1R0JA020	C1.0 OHM, J, 0.5W	1	PAVCCZ
	R17622	ERJ3GEYJ101	M 100 OHM,J,1/16W	1	
	R17623	ERJ3GEYJ101	M 100 OHM,J,1/16W	1	

Safety	Ref. No.	Part No.	Part Name & Description	Pcs	Remarks
	R17624	D0GB201JA041	M 200 OHM,J,1/10W	1	PAVCCZ
	R17625	D0GZ1R0JA020	C1.0 OHM, J, 0.5W	1	PAVCCZ
	R17627	ERJ3GEYJ101	M 100 OHM,J,1/16W	1	
	R17628	ERJ3GEYJ101	M 100 OHM,J,1/16W	1	
	R17629	D0GB201JA041	M 200 OHM,J,1/10W	1	PAVCCZ
	R17630	D0GZ1R0JA020	C1.0 OHM, J, 0.5W	1	PAVCCZ
	R17632	ERJ3GEYJ101	M 100 OHM,J,1/16W	1	
	R17633	ERJ3GEYJ101	M 100 OHM,J,1/16W	1	
	R17634	D0GB201JA041	M 200 OHM,J,1/10W	1	PAVCCZ
	R17635	D0GZ1R0JA020	C1.0 OHM, J, 0.5W	1	PAVCCZ
	R17637	ERJ3GEYJ101	M 100 OHM,J,1/16W	1	
	R17638	ERJ3GEYJ101	M 100 OHM,J,1/16W	1	
	R17639	ERJ3GEYJ101	M 100 OHM,J,1/16W	1	
	R17640	D0GZ1R0JA020	C1.0 OHM, J, 0.5W	1	PAVCCZ
	R17643	D0GBR00Z0002	M 0 OHM J 1/10W	1	
	SC2	K1KY02B00012	2P CONNECTOR	1	
	SC20	K1MY35BA0345	35P CONNECTOR	1	
	SC41	K1KA09AA0707	9P CONNECTOR	1	
	SC42	K1KA09AA0707	9P CONNECTOR	1	
	SC46	K1KA09AA0707	9P CONNECTOR	1	
	SC50	K1KA02AA0193	2P CONNECTOR	1	
	SS11	K1KY03B00006	3P CONNECTOR	1	
	SS21	K1KA07A00170	7P CONNECTOR	1	
	SS24	K1KB07AA0087	7P CONNECTOR	1	
	SS33	K1KY08AA0719	8P CONNECTOR	1	
	SS53	K1MN13B00091	13P CONNECTOR	1	
	SS56	K1MN13B00091	13P CONNECTOR	1	
	SS58	K1MN13B00091	13P CONNECTOR	1	
	T16471	G4DYA0000200	SWITCHING TRANS	1	
	ZA16001	K4CD01000011	AV TERMINAL	1	
	ZA16002	K4CD01000011	AV TERMINAL	1	
	ZA16003	K4CD01000011	AV TERMINAL	1	
	ZA16401	K4CD01000011	AV TERMINAL	1	
	ZA16402	K4CD01000011	AV TERMINAL	1	
	ZA16403	K4CD01000011	AV TERMINAL	1	
	ZA16404	K4CD01000011	AV TERMINAL	1	
	ZA16407	K4CD01000011	AV TERMINAL	1	
	ZA17100	K4CD01000013	AV TERMINAL	1	
	ZA17101	K4CD01000013	AV TERMINAL	1	
	ZA17102	K4CD01000013	AV TERMINAL	1	
	ZA17103	K4CD01000013	AV TERMINAL	1	
	ZA17200	K4CD01000013	AV TERMINAL	1	
	ZA17201	K4CD01000013	AV TERMINAL	1	
	ZA17202	K4CD01000013	AV TERMINAL	1	
	ZA17203	K4CD01000013	AV TERMINAL	1	
	ZA17300	K4CD01000013	AV TERMINAL	1	
	ZA17301	K4CD01000013	AV TERMINAL	1	
	ZA17302	K4CD01000013	AV TERMINAL	1	
	ZA17303	K4CD01000013	AV TERMINAL	1	
	ZA17304	K4CD01000013	AV TERMINAL	1	
	ZA17401	K4CD01000013	AV TERMINAL	1	
	ZA17402	K4CD01000013	AV TERMINAL	1	
	ZA17403	K4CD01000013	AV TERMINAL	1	
	ZA17404	K4CD01000013	AV TERMINAL	1	
	ZA17501	K4CD01000013	AV TERMINAL	1	
	ZA17502	K4CD01000013	AV TERMINAL	1	
	ZA17503	K4CD01000013	AV TERMINAL	1	
	ZA17504	K4CD01000013	AV TERMINAL	1	

Safety	Ref. No.	Part No.	Part Name & Description	Pcs	Remarks
	ZA17601	K4CD01000013	AV TERMINAL	1	
	ZA17602	K4CD01000013	AV TERMINAL	1	
	ZA17603	K4CD01000013	AV TERMINAL	1	
	ZA17604	K4CD01000013	AV TERMINAL	1	
	ZA17605	K4CD01000013	AV TERMINAL	1	
	△ A601	AYRA652MSV8T	ARRESTOR	1	
	C201	ACMEB332K5T	C 3300PF, K, 50V	1	
	C202	ACDE2R221KP	2kV 220p	1	
	C203	ACDE2R221KP	2kV 220p	1	
	C204	ECWH8473HA	800V 0.033P	1	
	C205	ECWH8473HA	800V 0.033P	1	
	△ C206	ACKX101KYTJ5	250V 100p	1	
	C207	ECJ2XB1H104K	C 0.1UF, K, 50V	1	
	C208	ACMBC681J5T	50V 680p	1	
	C209	ECJ1VC1H471J	C 470PF J 50V	1	
	C211	ACRZL1H100T	50V 10P	1	
	C212	ACRZL1H100T	50V 10P	1	
	C213	ACYBB475K2F	25V 4.7PF	1	
	C214	ACMH1H010T	50V 1P	1	
	C215	ECJ1VB1E333K	C 0.033UF, K, 25V	1	
	C217	ACMEB104K2T	25V 0.1P	1	
	C218	ACMBB106K1AT	10V 10P	1	
	C219	ECJ1VB1H472K	C 4700PF, K, 50V	1	
	C220	ACMBB106K1AT	10V 10P	1	
	C221	ACMEB104K5T	50V 0.1P	1	
	C251	ACMEB104K2T	25V 0.1P	1	
	C252	ECQV1H224JL	P 0.22UF, J, 50V	1	
	C255	ECQE2473SKF	C 0.047U 250V	1	
	△ C256	ACCST230102K	230V 1000P	1	
	C257	ACDE1SL220JP	1kV 22p	1	
	C352	ACRZL1V561T	35V 560P	1	
	C366	ACRZL1E471LT	25V 470P	1	
	C375	ACMAB105K5T	50V 1P	1	
	C376	ACMEB105K1T	16V 1P	1	
	C379	ECJ2VB1H472K	C 0.42PF, K, 50V	1	
	C380	ACMEB333K5T	50V 0.033P	1	
	C382	ECJ1VB1H103K	C 0.001UF, K, 50V	1	
	C383	ACMEB105K1T	16V 1P	1	
	C401	ECQE2104SKF	250V 0.1PF	1	
	C402	ECQE2104SKF	250V 0.1PF	1	
	△ C403	ACKMQ140471H	140V 470P	1	
	C404	ACRZL1H101T	50V 100P	1	
	C405	ACMBR222K2ET	250V 2200p	1	
	△ C406	ACKMQ1K182ZE	80V 1500P	1	
	C407	ACRR3DD101K7	2kV 100PF	1	
	△ C408	ACKMQ1K182ZE	80V 1500P	1	
	C409	ACMBR222K2ET	250V 2200p	1	
	C410	ACMEB222K5T	50V 2200p	1	
	C413	ACMEB103K5T	50V 10p	1	
	C415	ACMEB104K5T	50V 0.1P	1	
	C416	ACMEB224K2T	25V 0.22P	1	
	C418	ACMEB103K5T	50V 10p	1	
	C419	ACMEB103K5T	50V 10p	1	
	C420	ACMEB224K2T	25V 0.22P	1	
	△ C501	ACLE103KC	PLASTIC FILM CAPACITOR (Xcap)	1	
	△ C503	ACPAG2W470T	450V 47P	1	
	C505	ACRZL1H220T	50V 22P	1	
	C506	ACMEB102K5T	50V 1000p	1	
	C507	ACMEB103K5T	50V 10p	1	
	C508	ACMBB474K2T	25V 0.47P	1	
	C509	ACMEB103K5T	50V 10p	1	
	C510	ACRZL1H100T	50V 10P	1	
	C511	ACMEB102K5T	50V 1000p	1	
	C512	ACMEB103K5T	50V 10p	1	
	C513	ACMEB102K5T	50V 1000p	1	
	C514	ACRZL1H221T	50V 22PF	1	
	C515	ACRZL1H220T	50V 22P	1	
	△ C516	ACKX221KYP	250V 220p	1	

Safety	Ref. No.	Part No.	Part Name & Description	Pcs	Remarks
	C518	ECQE2223SKF	250V 0.022PF	1	
	C551	ACRZG1A471T	10V 470P	1	
	C553	ACMEB474K1T	16V 0.47P	1	
	C554	ACRZL1E821LT	16V 0.47P	1	
	C555	ACMBB225K2T	25V 2.2P	1	
	C556	ACMBB105K2T	25V 1P	1	
	C557	ECJ2XB1H104K	C 0.1UF, K, 50V	1	
	C558	ECJ1VB1H103K	C 0.001UF, K, 50V	1	
	C560	ACRZL1E221T	25V 220P	1	
	C561	ACRZL1H100T	50V 10P	1	
	C573	ACDE1R102KP	1kv 1000P	1	
	C574	ACMEB681K5T	50V 680P	1	
△	C601	ACLEM474XKC	450V 2.2P	1	
△	C602	ACKX221KYP	250V 220p	1	
△	C603	ACKX221KYP	250V 220p	1	
△	C605	ECWF2W225KA	450V 2.2P	1	
	C606	ECJ1VB1H102K	C 1000PF, K, 50V	1	
	C608	ECJ1VB1H222K	C 2200PF, K, 50V	1	
	C609	ACTEB104K5T	50V 0.1P	1	
	C610	ACMEB224K2T	25V 0.22P	1	
	C611	ECJ1XC1H102J	C 1000PF, J, 50V	1	
	C613	ECJ1VB1H103K	C 0.001UF, K, 50V	1	
	C615	ACMBB225K2T	25V 2.2P	1	
	C616	ACTEB474K1T	16V 0.47P	1	
△	C617	ACLEM474XKC	450V 2.2P	1	
	C620	ACMBB474K2T	25V 0.47P	1	
△	C623	ACKMQ2W511LZ	450V 510P	1	
	C628	ACMBR225K2T	25V 2.2P	1	
	C629	ECQV1H334JL	50V 0.33P	1	
	C630	ECJ1VC1H471J	C 470PF J 50V	1	
	C631	ECJ1VB1H103K	C 0.001UF, K, 50V	1	
	C701	ACRZL1A221T	50V 0.1P	1	
	C702	ACMEB104K5T	50V 0.1P	1	
	C703	ACMEB104K5T	50V 0.1P	1	
	C704	ECJ2XB1H104K	C 0.1UF, K, 50V	1	
	C705	ECJ2XB1H104K	C 0.1UF, K, 50V	1	
	C706	ECJ2XC1H102J	C 1000PF, J, 50V	1	
	C707	ACMEB104K5T	50V 0.1P	1	
	C708	ECJ2XB1H104K	C 0.1UF, K, 50V	1	
	C709	ACMEB104K5T	50V 0.1P	1	
	C710	ACMEB224K1T	16V 0.22P	1	
	C711	ACMEB223K5T	50V 0.022P	1	
	C712	ECJ2XB1H104K	C 0.1UF, K, 50V	1	
	C713	ACMBB225K2T	25V 2.2P	1	
	C715	ACMEB105K1T	16V 1P	1	
	CN701	AKB6B-PH-KS	6P CONNECTOR	1	
	D201	VDERA83-004T	DIODE	1	
	D202	VDERA83-004T	DIODE	1	
	D203	VDAG01AT	DIODE	1	
	D204	VDAG01AT	DIODE	1	
	D205	VDAG01AT	DIODE	1	
	D206	VD1SS133T	DIODE	1	
	D252	VD1SS133T	DIODE	1	
	D253	VDFCF10A40	DIODE	1	
	D254	VDFRF10A40	DIODE	1	
	D351	VDFMEN210A	DIODE	1	
	D359	VDRK46LF307	DIODE	1	
	D401	VDD4SBL20U	DIODE	1	
	D402	VDAG01AT	DIODE	1	
	D403	VDYG901C3R	DIODE	1	
△	D501	VDS1WBA80	DIODE	1	
	D502	VD1SS133T	DIODE	1	
	D503	VXST3D140LM2	DIODE	1	
	D504	VDAG01AT	DIODE	1	
	D505	VDAG01AT	DIODE	1	
	D506	VD1T7GA1	DIODE	1	
	D507	VD1T7GA1	DIODE	1	
	D509	VDAP01CT	DIODE	1	

Safety	Ref. No.	Part No.	Part Name & Description	Pcs	Remarks
	D551	VDCB863-12T	DIODE	1	
	D552	VDYG902C3R	DIODE	1	
	D601	VD1SS133T	DIODE	1	
	D602	VD1SS133T	DIODE	1	
△	D603	VDD15XB80	DIODE	1	
	D605	VD1SS133T	DIODE	1	
△	D606	VD1N5406G-07	DIODE	1	
	D607	VDYG982C6R	DIODE	1	
	D608	VDERA83-004T	DIODE	1	
△	D609	VDD15XB80	DIODE	1	
	D701	VDERA83-004T	DIODE	1	
	D702	VDRB721Q40	DIODE	1	
	D703	VDRB721Q40	DIODE	1	
	D704	VDRB721Q40	DIODE	1	
	D705	VD1SS133T	DIODE	1	
	D706	VD1SS355T	DIODE	1	
	D707	VD1SS355T	DIODE	1	
	D708	VD1SS355T	DIODE	1	
△	F201	HU216005BEP	FUSE	1	
△	F501	HU215002BEP	FUSE	1	
△	F601	HU215010BEP	FUSE	1	
△	F602	HU215010BEP	FUSE	1	
	IC201	VIMCZ5203D	INTEGRATED CIRCUIT	1	
	IC202	VINJM2903ME1	INTEGRATED CIRCUIT	1	
	IC251	VIJM1431AF	IC	1	
	IC352	VISC2628T	INTEGRATED CIRCUIT	1	
	IC403	VISC2603ASKT	IC	1	
△	IC501	MIP3E50MY	POWER INTEGRATED CIRCUIT	1	
	IC551	VIJM2380AFE1	IC	1	
	IC601	VIFA5610NTE1	IC	1	
	IC701	VISM42N04T	IC	1	
	JQ1	ERJ6GEY0R00V	M 0 OHM J 1/10W	1	
	JQ2	ERJ6GEY0R00V	M 0 OHM J 1/10W	1	
	JQ3	ERJ6GEY0R00V	M 0 OHM J 1/10W	1	
	JQ4	ERJ6GEY0R00V	M 0 OHM J 1/10W	1	
	JQ5	ERJ6GEY0R00V	M 0 OHM J 1/10W	1	
	JQ6	ERJ6GEY0R00V	M 0 OHM J 1/10W	1	
	JQ7	ERJ6GEY0R00V	M 0 OHM J 1/10W	1	
	JQ8	ERJ6GEY0R00V	M 0 OHM J 1/10W	1	
	JQ9	ERJ6GEY0R00V	M 0 OHM J 1/10W	1	
	JQ10	ERJ6GEY0R00V	M 0 OHM J 1/10W	1	
	JQ11	ERJ6GEY0R00V	M 0 OHM J 1/10W	1	
	JR1	ERJ8GEY0R00	M 0 OHM, 1/8W	1	
	JR2	ERJ8GEY0R00	M 0 OHM, 1/8W	1	
	JR3	ERJ8GEY0R00	M 0 OHM, 1/8W	1	
	JR4	ERJ8GEY0R00	M 0 OHM, 1/8W	1	
	JR5	ERJ8GEY0R00	M 0 OHM, 1/8W	1	
	JR6	ERJ8GEY0R00	M 0 OHM, 1/8W	1	
△	K602	ALKT329M02	RELAY	1	
△	K605	ALKT329M02	RELAY	1	
	L201	AYTSKA170T	FERRITE BEAD INDUCTOR	1	
	L351	AYS1215003D	FILTER CHOKE	1	
	L353	EXCELSA35T	BEAD CHOKE	1	
	L401	AYCA45VB681K	CHOKE COIL	1	
	L402	AYJ231214HY	CHOKE COIL	1	
	L501	AYTSKA170T	FERRITE BEAD INDUCTOR	1	
△	L601	AYS259027HY	CHOKE COIL	1	
△	L602	AYS257027HY	CHOKE COIL	1	
△	L603	ETB42AZ14GAD	TRANSFORMER	1	
	P2	AKB2P3S-VH	2P CONNECTOR	1	

Safety	Ref. No.	Part No.	Part Name & Description	Pcs	Remarks
	P6	AKB11B-PH-KS	11P CONNECTOR	1	
	P7	AKB14B-PH-KS	14P CONNECTOR	1	
△	P9	AKS02B-VT	CONNECTOR	1	
	P11	AKB3P4S-VH-L	3P CONNECTOR	1	
	P25	AKB10B-PH-KS	10P CONNECTOR	1	
	P34	AKB3B-PH-KS	3P CONNECTOR	1	
	P35	AKB4B-PH-KS	4P CONNECTOR	1	
	P65	AKB5B-PH-KS	5P CONNECTOR	1	
△	PC201	VPS2581AL2HE	OPTOISOLATOR	1	
△	PC202	VPS2581AL2HE	OPTOISOLATOR	1	
△	PC501	VPS2581AL2HE	OPTOISOLATOR	1	
△	PC502	VPS2581AL2HE	OPTOISOLATOR	1	
△	PC504	VPS2581AL2HE	OPTOISOLATOR	1	
△	Q201	VKFMV19N57ES	FET	1	
△	Q202	VKFMV19N57ES	FET	1	
	Q203	VQ2PB709ART	TRANSISTOR	1	
	Q204	VQ2PD601ART	TRANSISTOR	1	
	Q251	2SK3018TL	FET	1	
	Q252	2SK3018TL	FET	1	
	Q355	2SJ651	FET	1	
	Q401	2SK3607	FET	1	
	Q402	2SA1776TV2P	FET	1	
	Q403	2SA1776TV2P	FET	1	
	Q404	VQPBS4350T	TRANSISTOR	1	
	Q405	VQ2PD601ART	TRANSISTOR	1	
	Q406	2SK3018TL	FET	1	
	Q407	VQPBS4350T	TRANSISTOR	1	
	Q408	VQPBS5350T	TRANSISTOR	1	
	Q502	2SK3018TL	FET	1	
	Q503	VQPBS4350T	TRANSISTOR	1	
	Q504	VQ2PB709ART	TRANSISTOR	1	
	Q505	2SK3018TL	FET	1	
	Q506	VQ2PB709ART	TRANSISTOR	1	
	Q551	2SJ673	FET	1	
	Q557	VKRJ0319DSP	FET	1	
	Q558	2SK3018TL	FET	1	
	Q559	VQ2PB709ART	TRANSISTOR	1	
△	Q601	VKR6015ANZ	FET	1	
	Q602	VQPBS4350T	TRANSISTOR	1	
	Q603	VQPBS5350T	TRANSISTOR	1	
△	Q604	VKR6015ANZ	FET	1	
	Q605	2SK3018TL	FET	1	
△	Q606	VKR6015ANZ	FET	1	
	Q607	VQ2PB709ART	TRANSISTOR	1	
	Q701	VQ2PB710ARLT	TRANSISTOR	1	
	Q702	VQ2PB710ARLT	TRANSISTOR	1	
	Q703	VQ2PD601ART	TRANSISTOR	1	
	Q704	VQ2PD601ART	TRANSISTOR	1	
	Q705	VQ2PD601ART	TRANSISTOR	1	
	Q706	VQ2PB709ART	TRANSISTOR	1	
	Q707	VQ2PD601ART	TRANSISTOR	1	
	Q708	VQ2PD601ART	TRANSISTOR	1	
	R201	ERJ6GEYJ103V	M 10K OHM J 1/10W	1	
	R202	ERJ6GEYJ153V	M 15KOHM,J,1/10W	1	
	R203	D0GB103JA057	M 10K OHM J 1/10W	1	
	R204	D0GB103JA057	M 10K OHM J 1/10W	1	
	R205	ERJ6GEYJ394	M 390KOHM,J,1/10W	1	
	R206	ERJ6GEYJ394	M 390KOHM,J,1/10W	1	
	R207	ERJ6GEYJ394	M 390KOHM,J,1/10W	1	
	R208	ERJ6GEYJ394	M 390KOHM,J,1/10W	1	
	R209	D0GB183JA057	M 18K OHM J 1/10W	1	
	R210	ERJ6RBD152	M 1.5KOHM,J,1/10W	1	

Safety	Ref. No.	Part No.	Part Name & Description	Pcs	Remarks
	R211	ERJ3EKF1872	M18.7KOHM, 1/16W	1	
	R213	ERX1S1R0	M 1.0 OHM, J, 1W	1	
	R214	ERX12S1R6J	M 5.6 OHM, J,1/2W	1	
	R215	ERG12SJ680J	M 68 OHM, J,1/2W	1	
	R216	ERG12SJ680J	M 68 OHM, J,1/2W	1	
	R217	ERJ6ENF1800	M 180 OHM, 1/10W	1	
	R218	ERJ6ENF1500	M 150 OHM, 1/10W	1	
	R219	ARRF5EJ50MB	0.05 OHM, 5W	1	
	R221	ERJ6GEYJ394	M 390KOHM,J,1/10W	1	
	R222	ERJ6GEYJ394	M 390KOHM,J,1/10W	1	
	R223	ERJ6GEYJ394	M 390KOHM,J,1/10W	1	
	R224	ERJ6GEYJ394	M 390KOHM,J,1/10W	1	
	R231	ERQ14AJ4R7J	F 4.7 OHM, J,1/4W	1	
	R232	ERJ3EKF1001	M 1KOHM, 1/16W	1	
	R233	ERJ3EKF1001	M 1KOHM, 1/16W	1	
	R234	ERJ3EKF1502	M 15KOHM, 1/16W	1	
	R235	ERJ3EKF1301	M 1.3KOHM, 1/16W	1	
	R236	ERDS2FJ472	C 4.7KOHM, J,1/4W	1	
	R237	D0GB473JA057	M 47KOHM,J,1/10W	1	
	R238	ERJ6RBD152	M 1.5KOHM,J,1/10W	1	
	R239	ERDS2FJ103	C 10KOHM, J,1/4W	1	
	R253	ERJ6GEY0R00V	M 0 OHM J 1/10W	1	
	R254	ERJ6GEYJ102V	M 1K OHM J 1/10W	1	
	R256	ERJ6ENF3901	M 3.9KOHM, 1/10W	1	
	R257	ERJ6GEYJ472V	M 4.7K OHM J 1/10W	1	
	R258	ERJ6GEYJ472V	M 4.7K OHM J 1/10W	1	
	R259	ERJ6GEYJ472V	M 4.7K OHM J 1/10W	1	
	R260	ERJ6GEYJ202	M 2KOHM,J,1/10W	1	
	R264	ERJ6GEYJ102V	M 1K OHM J 1/10W	1	
	R265	ERJ6ENF1742	M17.4KOHM, 1/10W	1	
	R266	ERJ6ENF7682	M76.8KOHM, 1/10W	1	
	R267	ERJ6ENF7682	M76.8KOHM, 1/10W	1	
	R268	ERJ6ENF7682	M76.8KOHM, 1/10W	1	
	R269	ERJ6ENF7682	M76.8KOHM, 1/10W	1	
	R270	ERJ6ENF4992	M49.9KOHM, 1/10W	1	
	R271	ERJ6ENF4992	M49.9KOHM, 1/10W	1	
	R272	ERJ6ENF4992	M49.9KOHM, 1/10W	1	
	R273	ERJ6ENF4992	M49.9KOHM, 1/10W	1	
	R274	ERJ6ENF4872	M48.7KOHM, 1/10W	1	
	R275	ERJ6ENF9532	M95.3KOHM, 1/10W	1	
	R276	D0GB103JA057	M 10K OHM J 1/10W	1	
	R277	ERJ6ENF1543	M 154KOHM, 1/10W	1	
	R278	D0GB103JA057	M 10K OHM J 1/10W	1	
	R279	D0GB102JA057	M 1KOHM,J,1/10W	1	
	R280	D0GB102JA057	M 1KOHM,J,1/10W	1	
	R351	ERJ6ENF1332	M13.3KOHM, 1/10W	1	
	R352	ERJ6ENF1302	M 13KOHM, 1/10W	1	
	R353	ERJ6ENF8661	M8.66KOHM, 1/10W	1	
	R354	ERJ6ENF8661	M8.66KOHM, 1/10W	1	
	R371	ERJ6RND1782	CHIP RESISTOR	1	
	R372	ERJ6RND1001	CHIP RESISTOR	1	
	R389	ERJ3GEYJ104	M 100KOHM,J,1/16W	1	
	R390	ERJ3GEY0R00	M 0 OHM, 1/16W	1	
	R391	ERJ6GEYJ183V	M 18KOHM,J,1/10W	1	
	R392	ERJ6ENF3921	M3.92KOHM, 1/10W	1	
	R393	ERJ6GEYJ472V	M 4.7K OHM J 1/10W	1	
	R394	ERJ6ENF1002	M 10KOHM, 1/10W	1	
	R402	ERJ3EKF1002	M 10KOHM, 1/16W	1	
	R403	ERG12SJ100J	M 10 OHM, J,1/2W	1	
	R404	ERJ6ENF2492	M24.9KOHM, 1/10W	1	
	R405	ARRF2EJR10B	250V 2200P	1	

Safety	Ref. No.	Part No.	Part Name & Description	Pcs	Remarks
	R408	ERJ3GEYJ682	M 6.8KOHM,J,1/16W	1	
	R409	ERJ6GEYF473	M 47KOHM,J,1/10W	1	
	R411	ERJ6ENF2001V	M 2KOHM, 1/10W	1	
	R412	ERJ6ENF2001V	M 2KOHM, 1/10W	1	
	R413	ERJ6ENF2552	M25.5KOHM, 1/10W	1	
	R414	ERJ6ENF2492	M24.9KOHM, 1/10W	1	
	R416	ERJ3GEYJ333	M 33KOHM,J,1/16W	1	
	R417	ERJ6ENF3482	M34.8KOHM, 1/10W	1	
	R418	ERJ6ENF3482	M34.8KOHM, 1/10W	1	
	R419	D0GB103JA057	M 10K OHM J 1/10W	1	
	R420	ERJ6ENF1301	M 1.3KOHM, 1/10W	1	
	R421	ERJ6ENF1332	M13.3KOHM, 1/10W	1	
	R422	ERJ6ENF2492	M24.9KOHM, 1/10W	1	
	R423	ARSG734K220U	22 OHM, 0.33W	1	
	R425	ERJ3GEYD153V	M 15KOHM,J,1/16W	1	
	R426	ERJ3GEYD153V	M 15KOHM,J,1/16W	1	
	R428	ERJ3GEYJ223	M 22KOHM,J,1/16W	1	
	R429	ERJ3GEYJ470	M 47 OHM,J,1/16W	1	
	R433	ERJ3EKF82R5	82.5 OHM 62.5mW	1	
	R434	ERJ3RED270	M 27 OHM, 1/16W	1	
	R435	ERJ3EKF1820	M 182 OHM, 1/16W	1	
	R436	ERJ3RED270	M 27 OHM, 1/16W	1	
	R437	ERJ3EKF1241	M1.24KOHM, 1/16W	1	
	R438	ERJ3EKF5621	M5.62KOHM, 1/16W	1	
	R439	D0GB154JA057	M 150KOHM J 1/10W	1	
	R440	ERJ14YJ220U	M 22 OHM, J,1/4W	1	
	R441	ARSG734K150U	15 OHM, 0.33W	1	
	R501	ERJ6ENF4123	M 412KOHM, 1/10W	1	
	R502	ERJ6ENF4123	M 412KOHM, 1/10W	1	
	R503	ERJ6ENF4123	M 412KOHM, 1/10W	1	
	R504	ERJ6ENF4123	M 412KOHM, 1/10W	1	
	R505	ERJ6ENF4123	M 412KOHM, 1/10W	1	
	R506	ERJ6ENF4123	M 412KOHM, 1/10W	1	
△	R507	ARRCR6J825M	8.2MOHM, 1W	1	
	R508	ERJ3EKF1303	M 130KOHM, 1/16W	1	
	R512	ERJ3GEYJ224	M 220KOHM,J,1/16W	1	
	R513	ERJ3GEYJ223	M 22KOHM,J,1/16W	1	
	R514	ERJ3EKF1303	M 130KOHM, 1/16W	1	
	R515	D0GB103JA057	M 10K OHM J 1/10W	1	
	R516	ERJ6GEYF473	M 47KOHM,J,1/10W	1	
	R518	ERG12SJ220J	M 22 OHM, J,1/2W	1	
	R519	ERJ3GEYJ224	M 220KOHM,J,1/16W	1	
	R520	ERDS2FJ121	C 120 OHM, J,1/4W	1	
	R521	ERJ3GEYJ223	M 22KOHM,J,1/16W	1	
	R522	ERJ6GEYJ180	M 18 OHM,J,1/10W	1	
	R524	ERJ3GEYJ223	M 22KOHM,J,1/16W	1	
	R525	ERJ6GEYJ103V	M 10K OHM J 1/10W	1	
	R526	ERJ3GEYJ472	M 4.7KOHM,J,1/16W	1	
	R529	ARR5B100JC2	5W 10 OHM	1	
	R530	ERJ3GEYJ471	M 470 OHM,J,1/16W	1	
	R531	ERJ6GEYJ103V	M 10K OHM J 1/10W	1	
	R532	ERJ6ENF4123	M 412KOHM, 1/10W	1	
	R533	ERJ6ENF4123	M 412KOHM, 1/10W	1	
	R534	ERJ6ENF4123	M 412KOHM, 1/10W	1	
	R535	ERJ6ENF4123	M 412KOHM, 1/10W	1	
	R536	ERJ6ENF4123	M 412KOHM, 1/10W	1	
	R537	ERJ6ENF4123	M 412KOHM, 1/10W	1	
	R538	ERG1DJ334	330k 1W	1	
	R551	ERJ6GEYJ151V	M 150 OHM,J,1/10W	1	
	R552	ERJ3GEYJ472	M 4.7KOHM,J,1/16W	1	
	R553	D0GB102JA057	M 1KOHM,J,1/10W	1	
	R555	ERJ3EKF1072	M10.7KOHM, 1/16W	1	

Safety	Ref. No.	Part No.	Part Name & Description	Pcs	Remarks
	R556	ERJ3EKF1002	M 10KOHM, 1/16W	1	
	R557	ERJ3EKF7872	M78.7KOHM, 1/16W	1	
	R558	ERJ6GEYJ124V	M 120KOHM,J,1/10W	1	
	R570	D0GB473JA057	M 47KOHM,J,1/10W	1	
	R573	ERJ6GEYJ332V	M 3.3K OHM J 1/10W	1	
	R574	ERG2S5J561H	M 560 OHM, J, 2W	1	
	R575	ERG2S5J561H	M 560 OHM, J, 2W	1	
	R576	ERJ3GEYJ223	M 22KOHM,J,1/16W	1	
	R577	ERJ6GEYJ333V	M 33KOHM,J,1/10W	1	
	R578	ERJ6GEYF561	M 560 OHM,F,1/10W	1	
	R579	ERJ3GEYJ104	M 100KOHM,J,1/16W	1	
	R580	ERJ3GEYJ104	M 100KOHM,J,1/16W	1	
△	R601	ARRCR5J624M	620M 0.5W	1	
	R603	ERJ6ENF2703	M 270KOHM, 1/10W	1	
	R604	ERJ6ENF2703	M 270KOHM, 1/10W	1	
	R605	ERJ6ENF2703	M 270KOHM, 1/10W	1	
	R606	ERJ6ENF2703	M 270KOHM, 1/10W	1	
	R607	ERJ3EKF3302	M 33KOHM, 1/16W	1	
	R608	ERJ3EKF1002	M 10KOHM, 1/16W	1	
	R609	D0GB225JA057	M 2.2MOHM J 1/10W	1	
	R610	ERJ3GEYJ470	M 47 OHM,J,1/16W	1	
	R611	ERJ3GEYJ470	M 47 OHM,J,1/16W	1	
	R612	ERJ6ENF3093	M 309KOHM, 1/10W	1	
	R613	ERJ3GEYJ223	M 22KOHM,J,1/16W	1	
	R614	ERJ6ENF3093	M 309KOHM, 1/10W	1	
	R615	D0GB103JA057	M 10K OHM J 1/10W	1	
	R616	ERJ6ENF3093	M 309KOHM, 1/10W	1	
	R617	ARRF5EJ75MB	0.075 OHM, 5W	1	
	R618	ARRF5EJ75MB	0.075 OHM, 5W	1	
	R619	ERJ6ENF3163	M 316KOHM, 1/10W	1	
	R620	ERJ6ENF3163	M 316KOHM, 1/10W	1	
	R621	ERJ3EKF1652	M16.5KOHM, 1/16W	1	
	R622	ERJ6ENF9312	M93.1KOHM, 1/10W	1	
	R623	ERJ6ENF9312	M93.1KOHM, 1/10W	1	
	R624	ERDS2FJ472	C 4.7KOHM, J,1/4W	1	
	R625	ERDS2FJ101	C 100 OHM, J,1/4W	1	
	R626	ERJ6ENF9312	M93.1KOHM, 1/10W	1	
	R627	ERDS2FJ154	C 150KOHM, J,1/4W	1	
	R628	ERJ6ENF9312	M93.1KOHM, 1/10W	1	
	R629	ERG12SJ150J	M 15 OHM, J,1/2W	1	
	R630	ERJ6ENF9312	M93.1KOHM, 1/10W	1	
	R631	ERJ6ENF9312	M93.1KOHM, 1/10W	1	
	R634	ERJ6ENF3093	M 309KOHM, 1/10W	1	
	R635	ERJ6ENF3093	M 309KOHM, 1/10W	1	
	R636	ERJ6ENF3093	M 309KOHM, 1/10W	1	
	R637	ERJ6ENF9312	M93.1KOHM, 1/10W	1	
	R638	ERJ6ENF9312	M93.1KOHM, 1/10W	1	
	R640	ERJ6ENF1692	M16.9KOHM, 1/10W	1	
	R641	ERJ6GEYJ151V	M 150 OHM,J,1/10W	1	
	R642	D0GB473JA057	M 47KOHM,J,1/10W	1	
	R649	ERJ6ENF2703	M 270KOHM, 1/10W	1	
	R650	ERJ6ENF2703	M 270KOHM, 1/10W	1	
	R651	ERJ6GEYJ220	M 22 OHM,J,1/10W	1	
	R652	ERJ6GEYJ220	M 22 OHM,J,1/10W	1	
	R653	ERJ6GEYJ220	M 22 OHM,J,1/10W	1	
	R654	ERJ6GEYJ220	M 22 OHM,J,1/10W	1	
	R655	ERJ6GEYJ220	M 22 OHM,J,1/10W	1	
	R656	ERJ6GEYJ220	M 22 OHM,J,1/10W	1	
	R657	ERJ6GEYJ220	M 22 OHM,J,1/10W	1	
	R658	ERJ6GEYJ220	M 22 OHM,J,1/10W	1	
	R659	ERDS2FJ472	C 4.7KOHM, J,1/4W	1	
	R660	ERDS2FJ472	C 4.7KOHM, J,1/4W	1	

Safety	Ref. No.	Part No.	Part Name & Description	Pcs	Remarks
	R661	ERJ6GEYJ220	M 22 OHM,J,1/10W	1	
	R662	ERJ6GEYJ220	M 22 OHM,J,1/10W	1	
	R663	ERJ6GEYJ220	M 22 OHM,J,1/10W	1	
	R664	ERJ6GEYJ220	M 22 OHM,J,1/10W	1	
	R665	D0GB103JA057	M 10K OHM J 1/10W	1	
	R666	ERJ3GEYJ223	M 22KOHM,J,1/16W	1	
	R667	D0GB181JA057	M 180 OHM,J,1/10W	1	
	R701	ERJ6GEYJ1R0	M 1 OHM,J,1/10W	1	
	R702	ERJ3GEYJ221	M 220 OHM,J,1/16W	1	
	R704	ERJ6ENF4992	M49.9KOHM, 1/10W	1	
	R705	ERJ6GEYJ1R0	M 1 OHM,J,1/10W	1	
	R706	D0GB103JA057	M 10K OHM J 1/10W	1	
	R707	D0GB103JA057	M 10K OHM J 1/10W	1	
	R708	ERJ3GEYJ101	M 100 OHM,J,1/16W	1	
	R709	ERDS2FJ102	M 1KOHM,J,1/10W	1	
	R710	ERJ6GEYJ104V	M 100KOHM,J,1/10W	1	
	R711	ERJ3GEYJ514	M 510KOHM,J,1/16W	1	
	R712	ERJ3GEYJ101	M 100 OHM,J,1/16W	1	
	R713	ERJ3GEYJ104	M 100KOHM,J,1/16W	1	
	R714	ERJ6ENF4991	M4.99KOHM, 1/10W	1	
	R715	ERJ6ENF4991	M4.99KOHM, 1/10W	1	
	R716	ERJ6ENF4991	M4.99KOHM, 1/10W	1	
	R717	ERJ6ENF4991	M4.99KOHM, 1/10W	1	
	R718	ERJ3GEYJ101	M 100 OHM,J,1/16W	1	
	R720	ERJ3GEYJ561	M 560 OHM,J,1/16W	1	
	R721	ERJ3GEYJ101	M 100 OHM,J,1/16W	1	
	R722	ERJ3GEYJ101	M 100 OHM,J,1/16W	1	
	R723	ERJ6GEYJ103V	M 10K OHM J 1/10W	1	
	R724	ERJ3GEYJ101	M 100 OHM,J,1/16W	1	
	R725	D0GB103JA057	M 10K OHM J 1/10W	1	
	R729	D0GB103JA057	M 10K OHM J 1/10W	1	
	R730	ERJ6GEYJ224	M 220KOHM,J,1/10W	1	
	R731	ERJ6GEYJ101V	M 100 OHM,J,1/10W	1	
	R732	D0GB103JA057	M 10K OHM J 1/10W	1	
	R733	ERJ3EKF4701	M 4.7KOHM, 1/16W	1	
	R734	ERJ3EKF5601	M 5.6KOHM, 1/16W	1	
	R735	ERJ6GEYJ102V	M 1K OHM J 1/10W	1	
	R736	ERJ3GEYJ122	M 1.2KOHM,J,1/16W	1	
	R737	ERJ6GEYJ221V	M 220 OHM,J,1/10W	1	
	R738	D0GB103JA057	M 10K OHM J 1/10W	1	
	R739	ERJ3GEYJ101	M 100 OHM,J,1/16W	1	
	R740	D0GB103JA057	M 10K OHM J 1/10W	1	
	R741	D0GB103JA057	M 10K OHM J 1/10W	1	
	R742	ERDS2FJ103	C 10KOHM, J,1/4W	1	
	R743	ERJ3GEYJ221	M 220 OHM,J,1/16W	1	
	R744	D0GB103JA057	M 10K OHM J 1/10W	1	
	R745	D0GB103JA057	M 10K OHM J 1/10W	1	
	R746	D0GB103JA057	M 10K OHM J 1/10W	1	

Safety	Ref. No.	Part No.	Part Name & Description	Pcs	Remarks
	R747	D0GB103JA057	M 10K OHM J 1/10W	1	
	R748	D0GB103JA057	M 10K OHM J 1/10W	1	
	R749	D0GB103JA057	M 10K OHM J 1/10W	1	
	R750	D0GB103JA057	M 10K OHM J 1/10W	1	
	R751	ERJ6GEYJ102V	M 1K OHM J 1/10W	1	
	R752	D0GB103JA057	M 10K OHM J 1/10W	1	
	R755	ERJ6GEYJ472V	M 4.7K OHM J 1/10W	1	
	R756	ERJ6GEYJ101V	M 100 OHM,J,1/10W	1	
	R757	ARRF5EJR15B	0.15 OHM 5W	1	
	R758	ER0S2CHF1002	M 10KOHM, F,1/4W	1	
	R759	ER0S2CHF1002	M 10KOHM, F,1/4W	1	
	R760	ERJ6GEYJ681	M 680 OHM,J,1/10W	1	
	R761	ERJ6GEYJ681	M 680 OHM,J,1/10W	1	
	△	RF601	HUA5MC100JP2	THERMAL CUTOFF WITH RESISTOR	1
	△	T201	ETB42LZ15GAD	TRANSFORMER	1
	△	T501	ETB29AK1RGAD	TRANSFORMER	1
	△	TG1	TW-4BS-2L	LUG TERMINAL	1
	△	TG2	TW-4BS-2L	LUG TERMINAL	1
	△	TG3	TW-4BS-2L	LUG TERMINAL	1
	△	TG4	TW-4BS-2L	LUG TERMINAL	1
	△	TG5	TW-4BS-2L	LUG TERMINAL	1
	VR251	EVMEASA01B25	CONTROL 200KOHMB	1	
	VR401	EVMAASA00B54	CONTROL 50KOHMB	1	
	△	Z601	ERZVGD751	VARISTOR	1
	△	Z602	ERZVGAD471	VARISTOR	1
	ZD203	VZMTZJ27DT	ZENER DIODE	1	
	ZD204	VZMTZJ27DT	ZENER DIODE	1	
	ZD205	VZMTZJ27DT	ZENER DIODE	1	
	ZD206	VZMTZJ5.1BT	ZENER DIODE	1	
	ZD251	VZMTZJ5.6BT	ZENER DIODE	1	
	ZD401	VZMTZJ15CT	ZENER DIODE	1	
	ZD402	VZMTZJ10CT	ZENER DIODE	1	
	ZD501	VZMTZJ30DT	ZENER DIODE	1	
	ZD502	VZMTZJ30DT	ZENER DIODE	1	
	ZD503	VZMTZJ30DT	ZENER DIODE	1	
	ZD504	VZMTZJ15CT	ZENER DIODE	1	
	ZD505	VZMTZJ30DT	ZENER DIODE	1	
	ZD506	VZMTZJ18CT	ZENER DIODE	1	
	ZD507	VZMTZJ8.2CT	ZENER DIODE	1	
	ZD508	VZMTZJ15CT	ZENER DIODE	1	
	ZD509	VZMTZJ27DT	ZENER DIODE	1	
	ZD554	VZPTZ6.2BT	ZENER DIODE	1	
	ZD601	VZMTZJ5.1BT	ZENER DIODE	1	
	ZD602	VZMTZJ4.7BT	ZENER DIODE	1	
	ZD603	VZMTZJ10CT	ZENER DIODE	1	