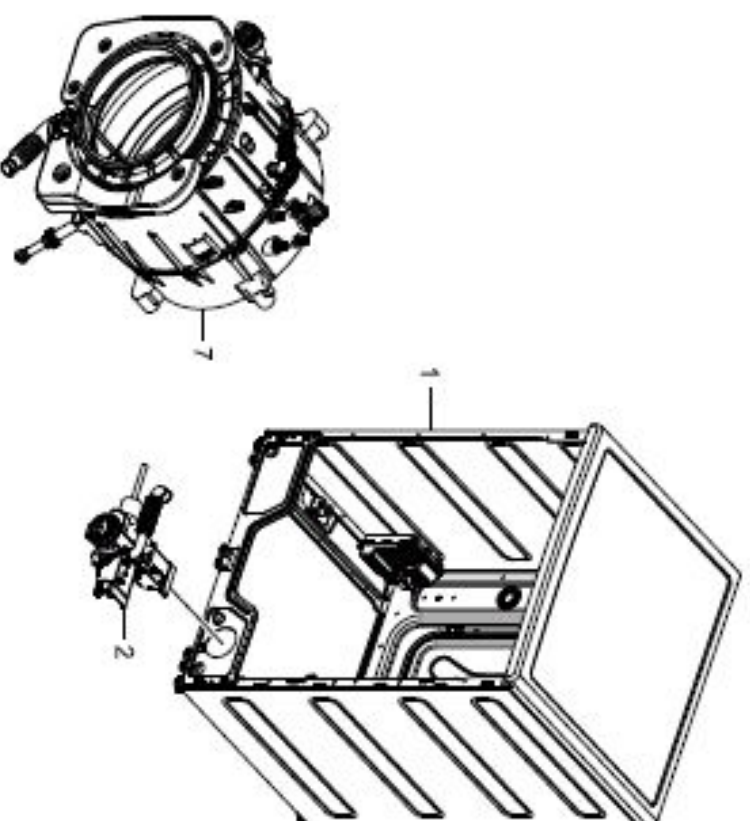
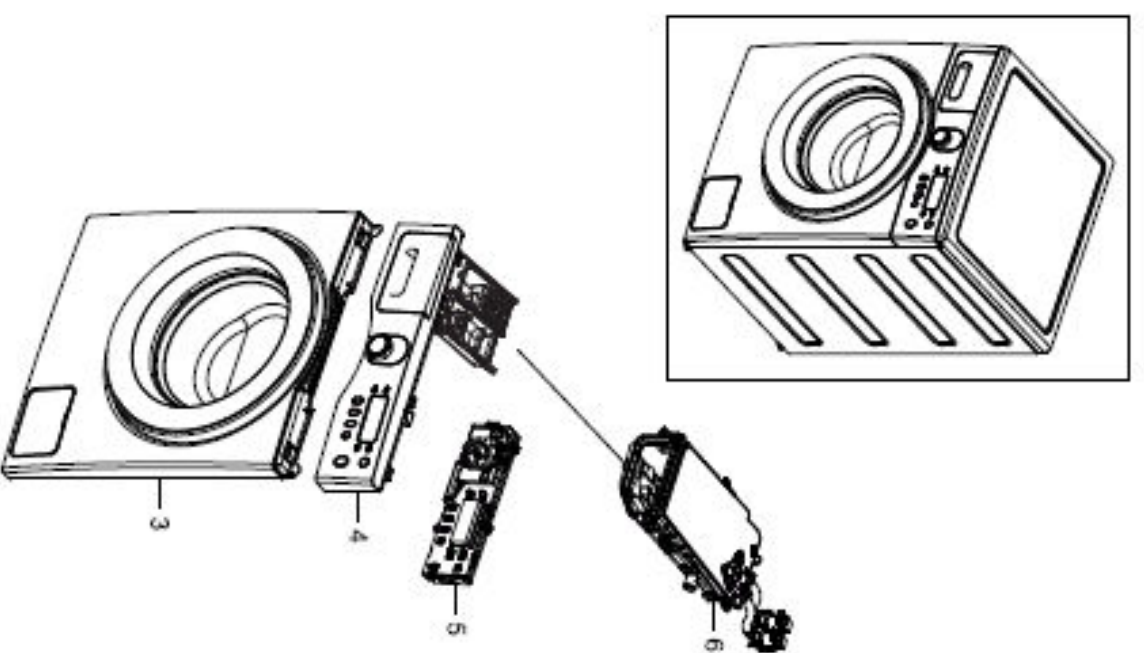






# 1. Main

Exploded View

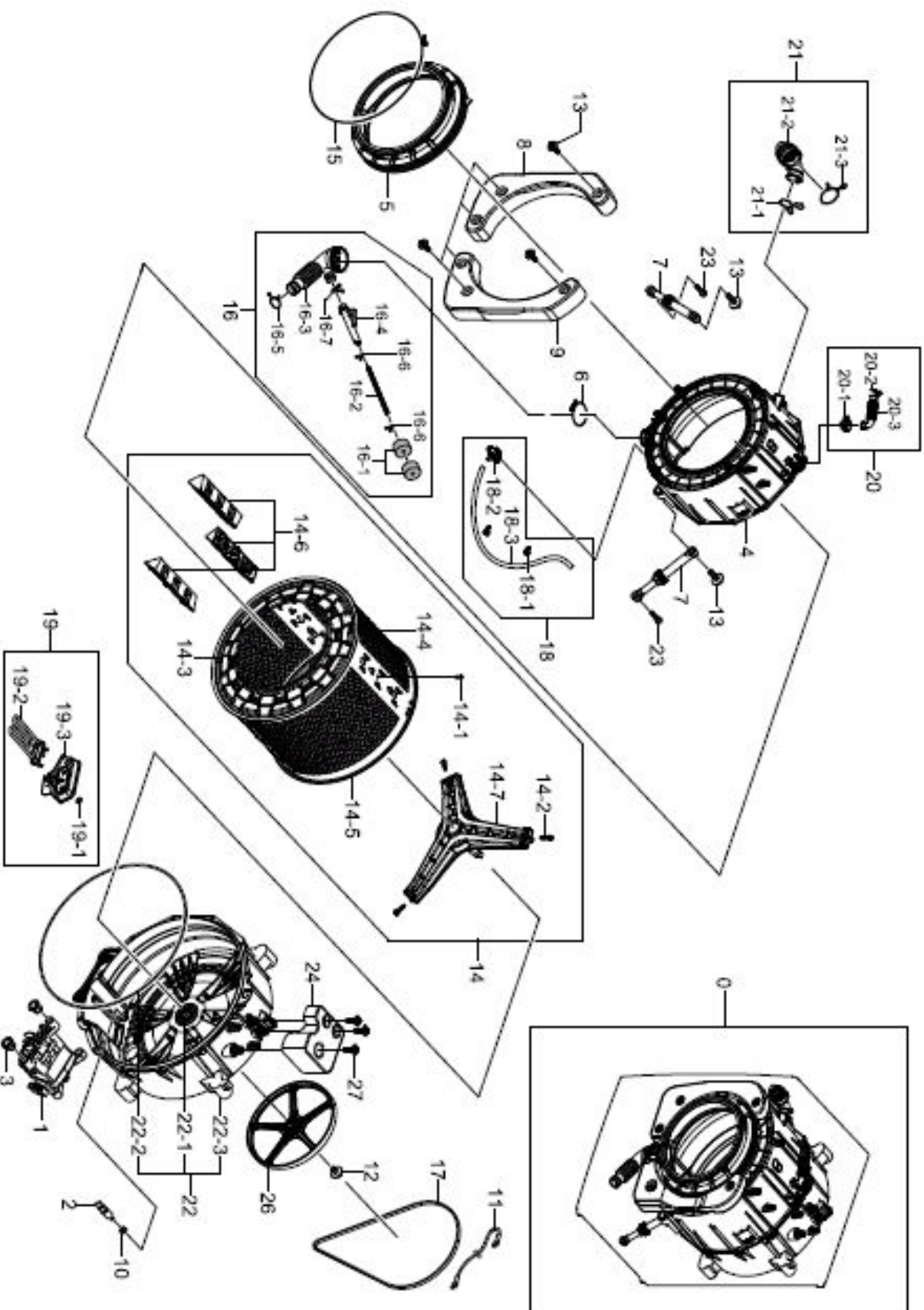


8			
9			
10			
11			



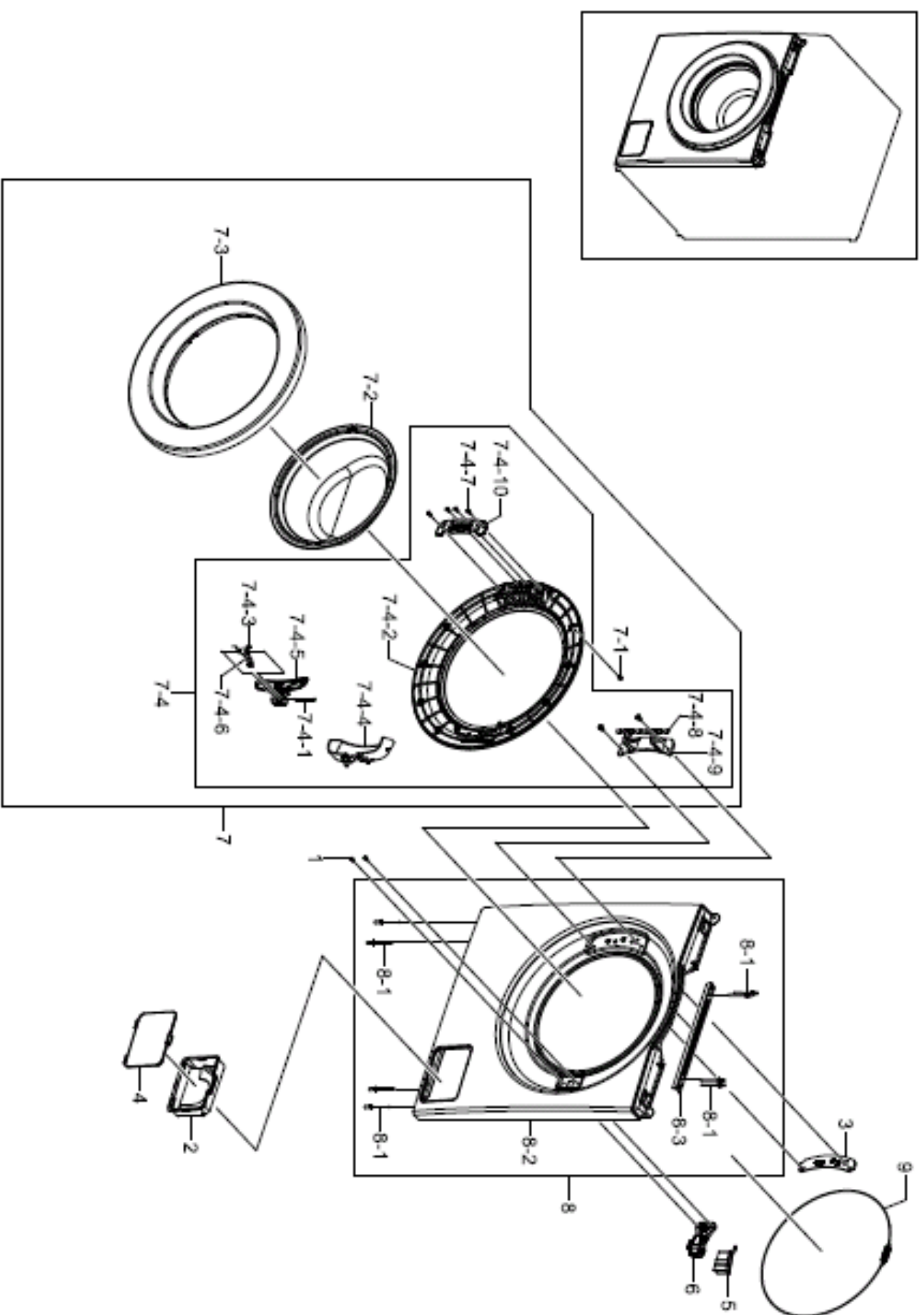
## 1.2. Assy Tub&Drum

### Exploded View



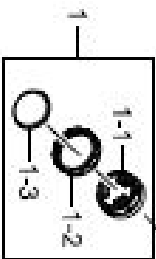
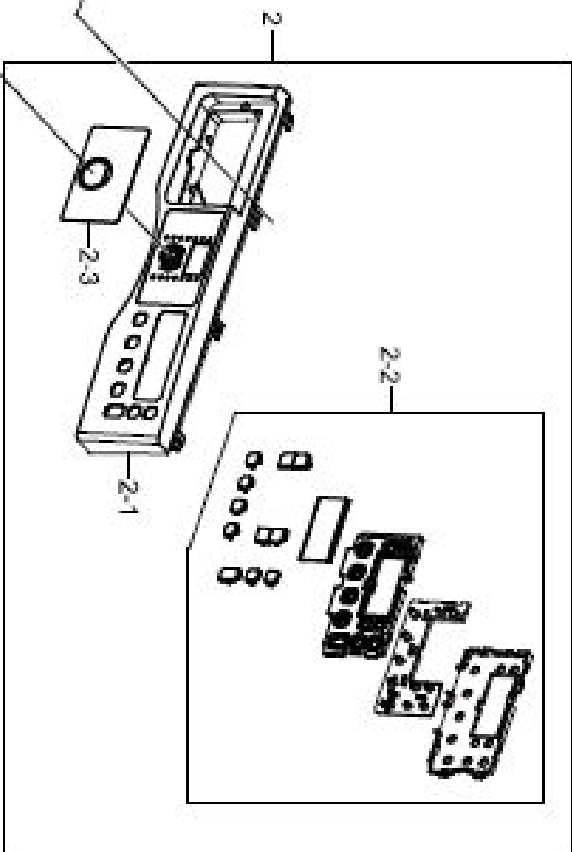
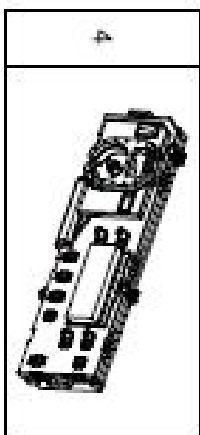
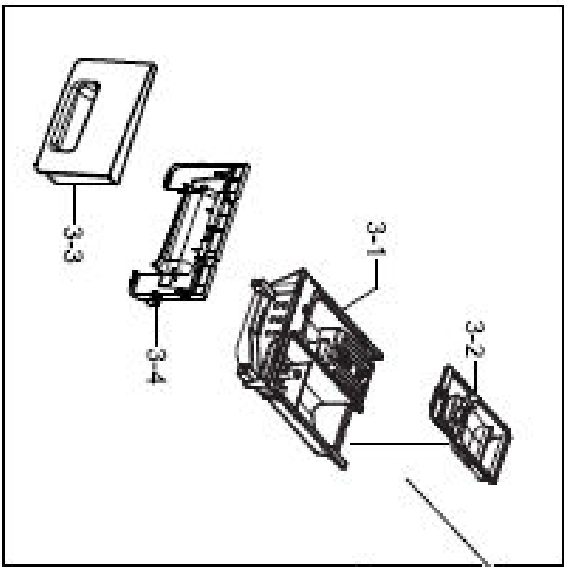
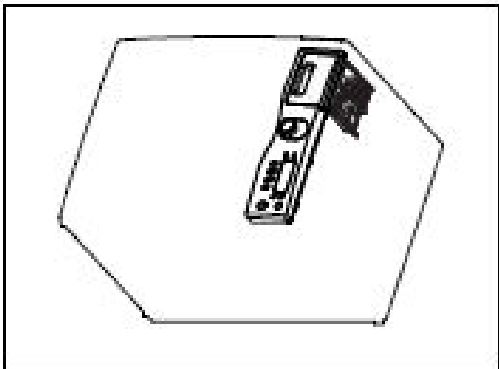
### 1.3. Assy Frame Front

Exploded View



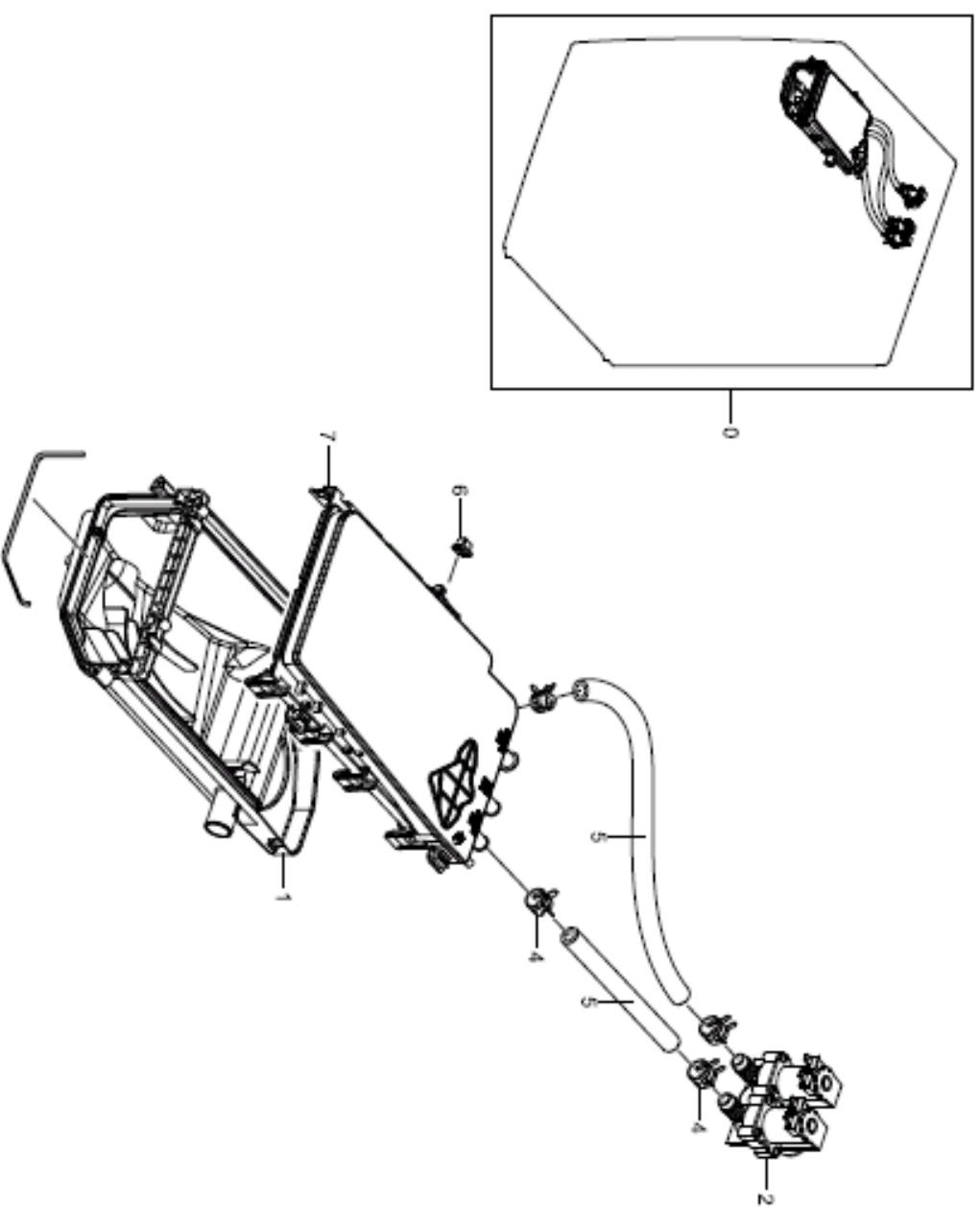
# 1.4. Panel Control&Drawer

Exploded View



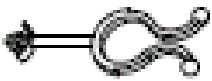





## 1.5. Assy Housing Drawer

Exploded View



## 1.6. Small Parts

### Exploded View

					
1	2	4	5	6	7