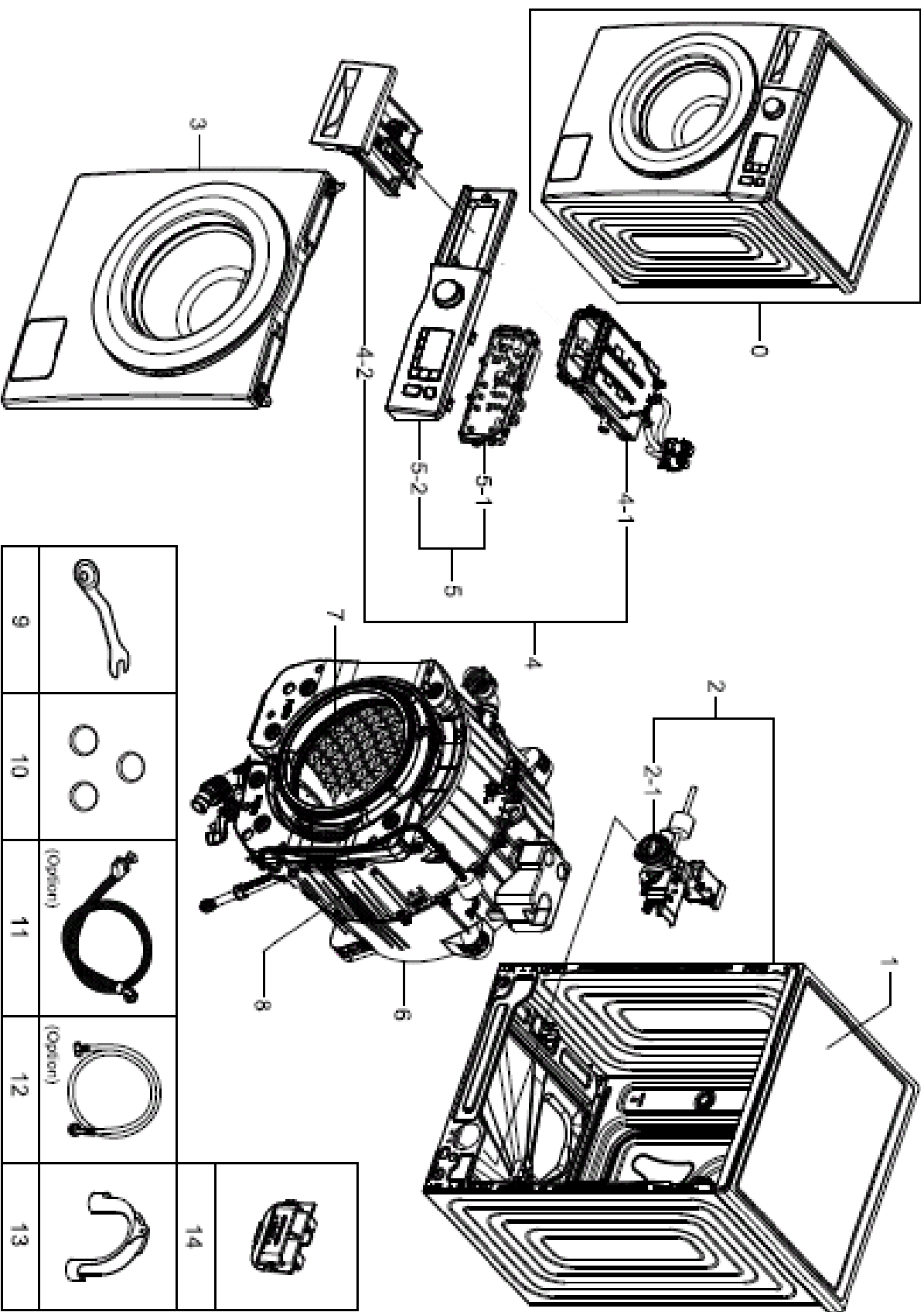


1. Main

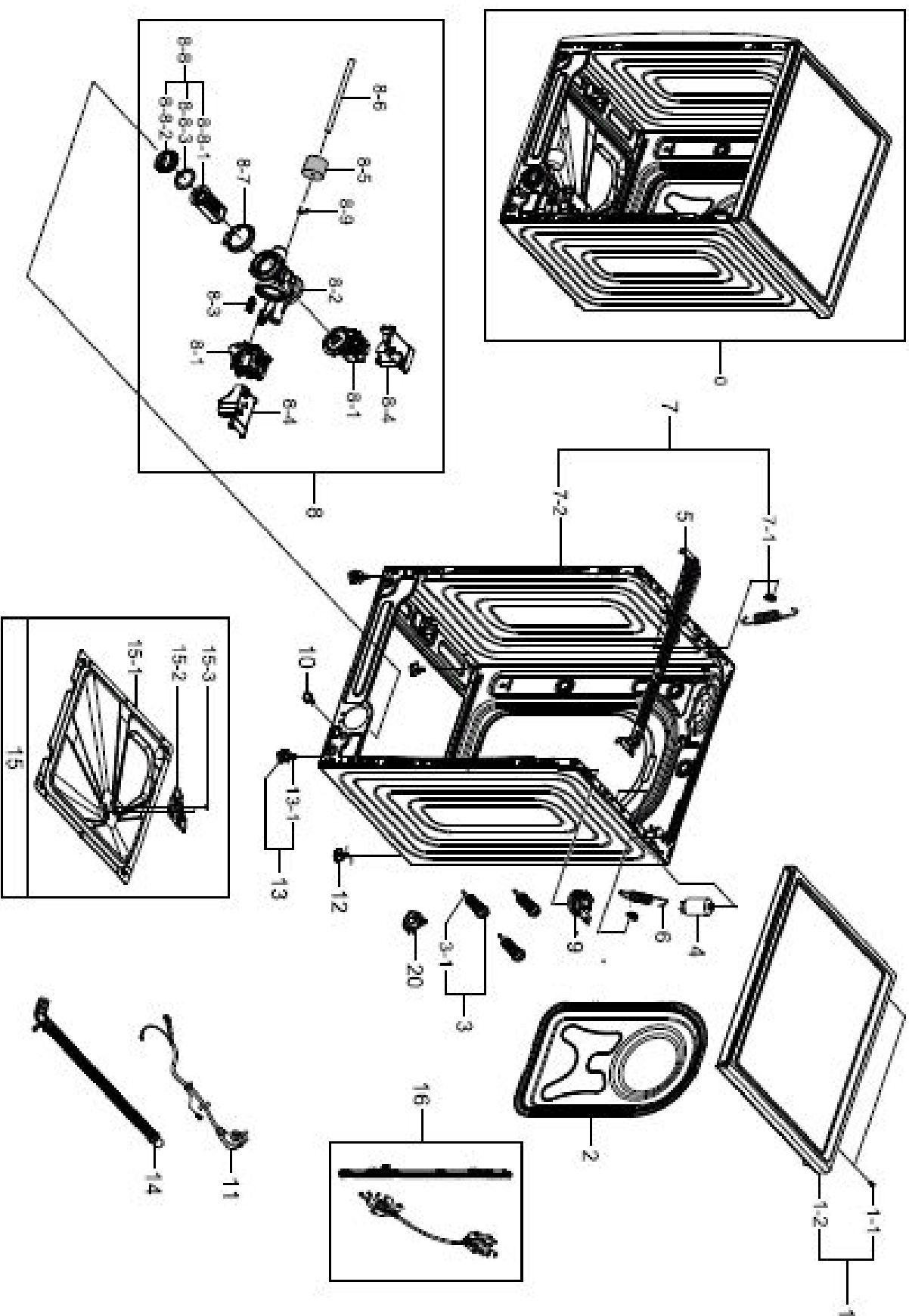
Exploded View



| | | | | |
|----|--|----------|--|--|
| 9 | | | | |
| 10 | | | | |
| 11 | | (Option) | | |
| 12 | | (Option) | | |
| 13 | | | | |
| 14 | | | | |

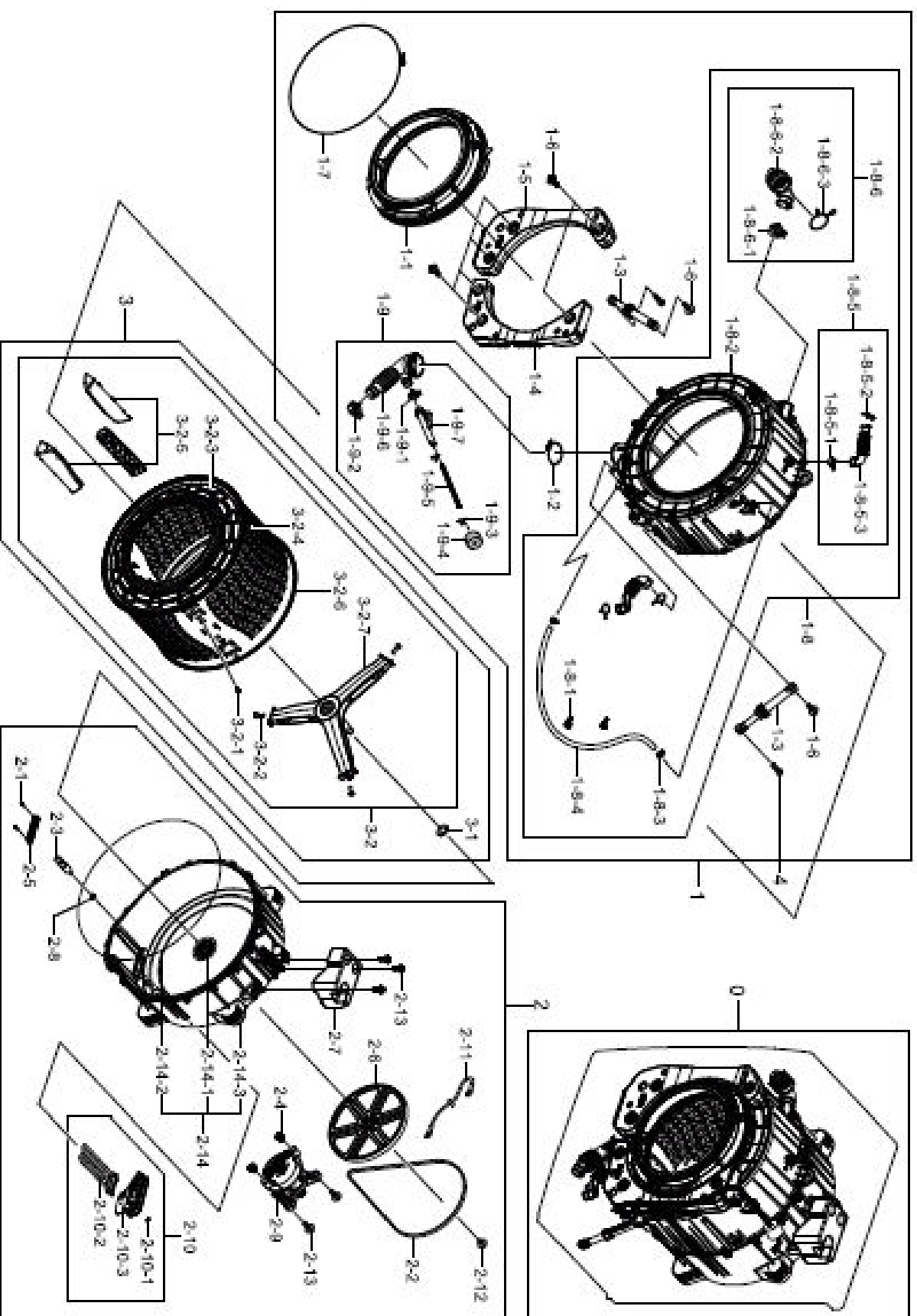
1.1. Frame & Cover Parts

Exploded View



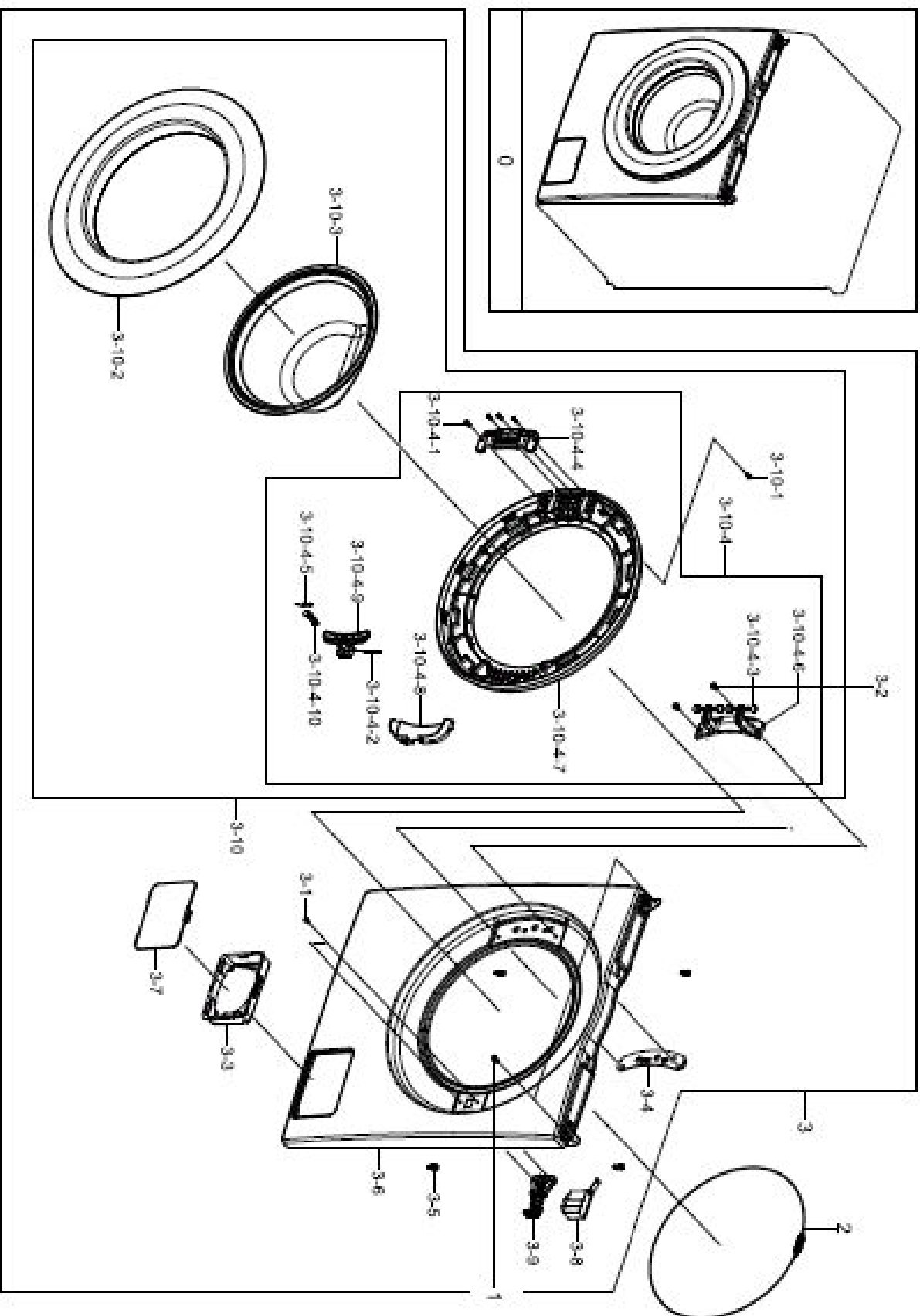
1.2. Assy Tub & Drum

Exploded View



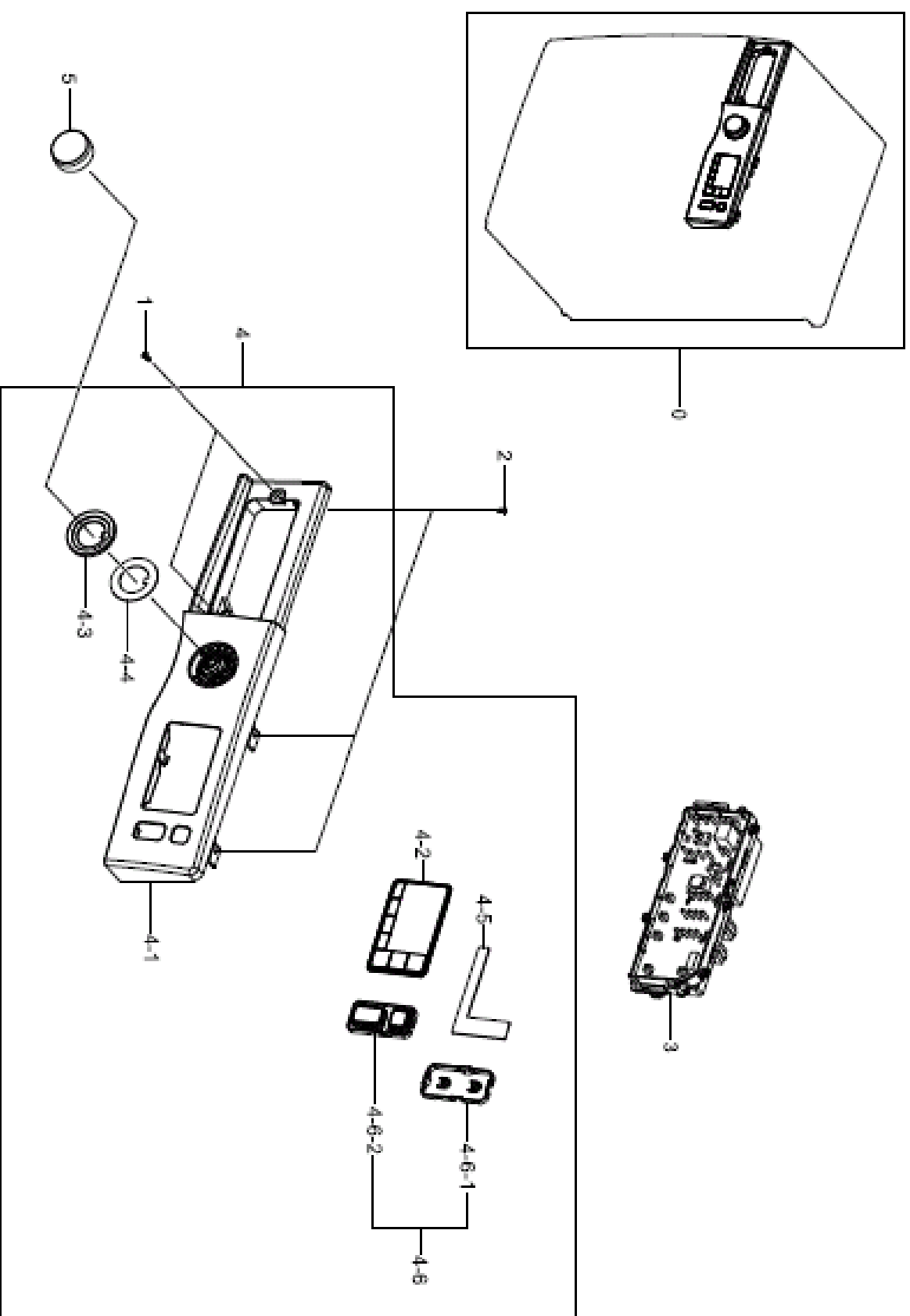
1.3. Assy Front

Exploded View



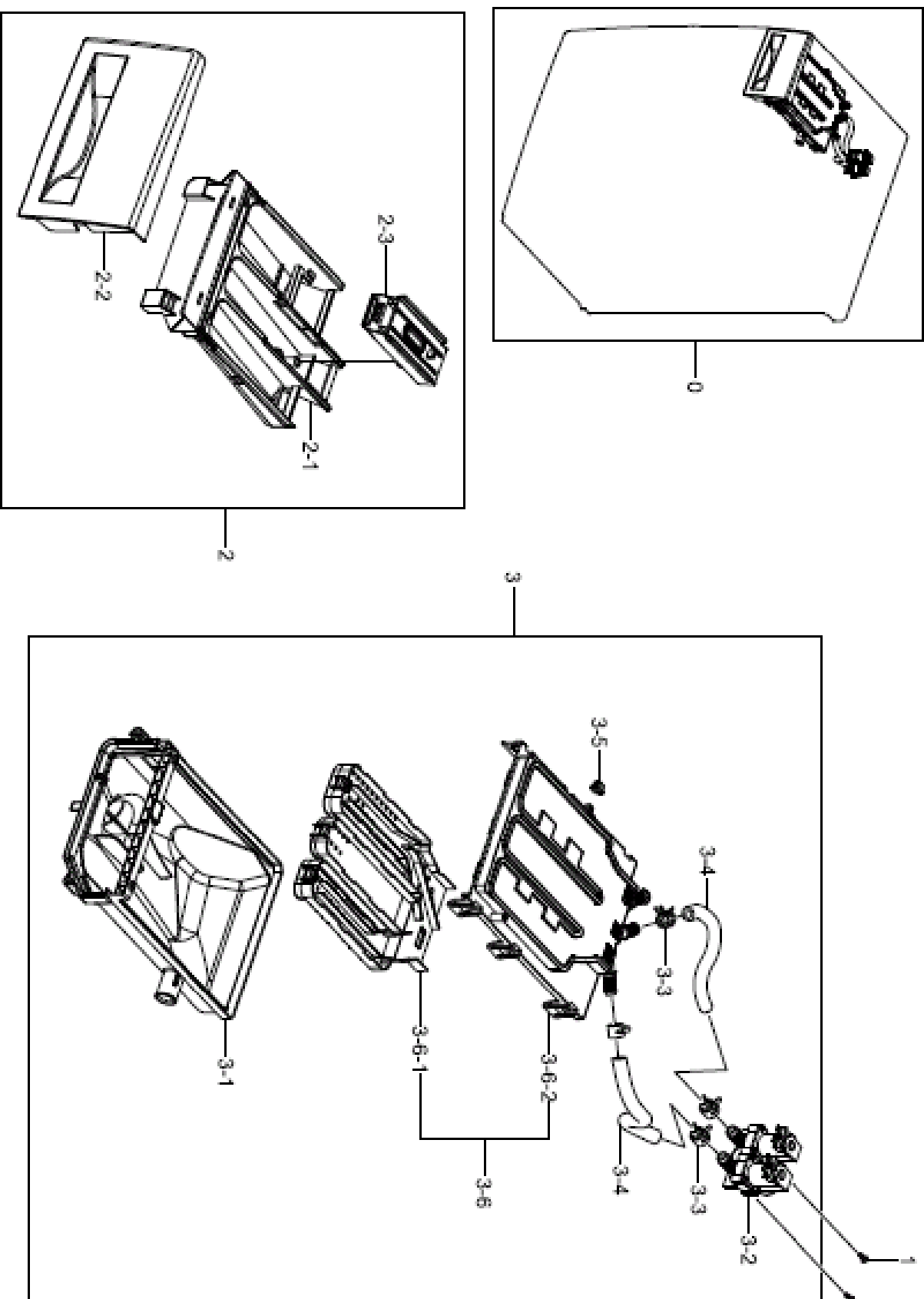
1.4. Assy Panel Control

Exploded View



1.5. Assy Drawer









Exploded View



Exploded Views and Parts List

1.6. Small Parts

Exploded View

| | | | | | | | |
|---|---|---|--|---|---|---|---|
|  |  |  |  |  |  |  |  |
| 1 | 2 | 3 | 4 | 5 | 6 | 7 | 8 |