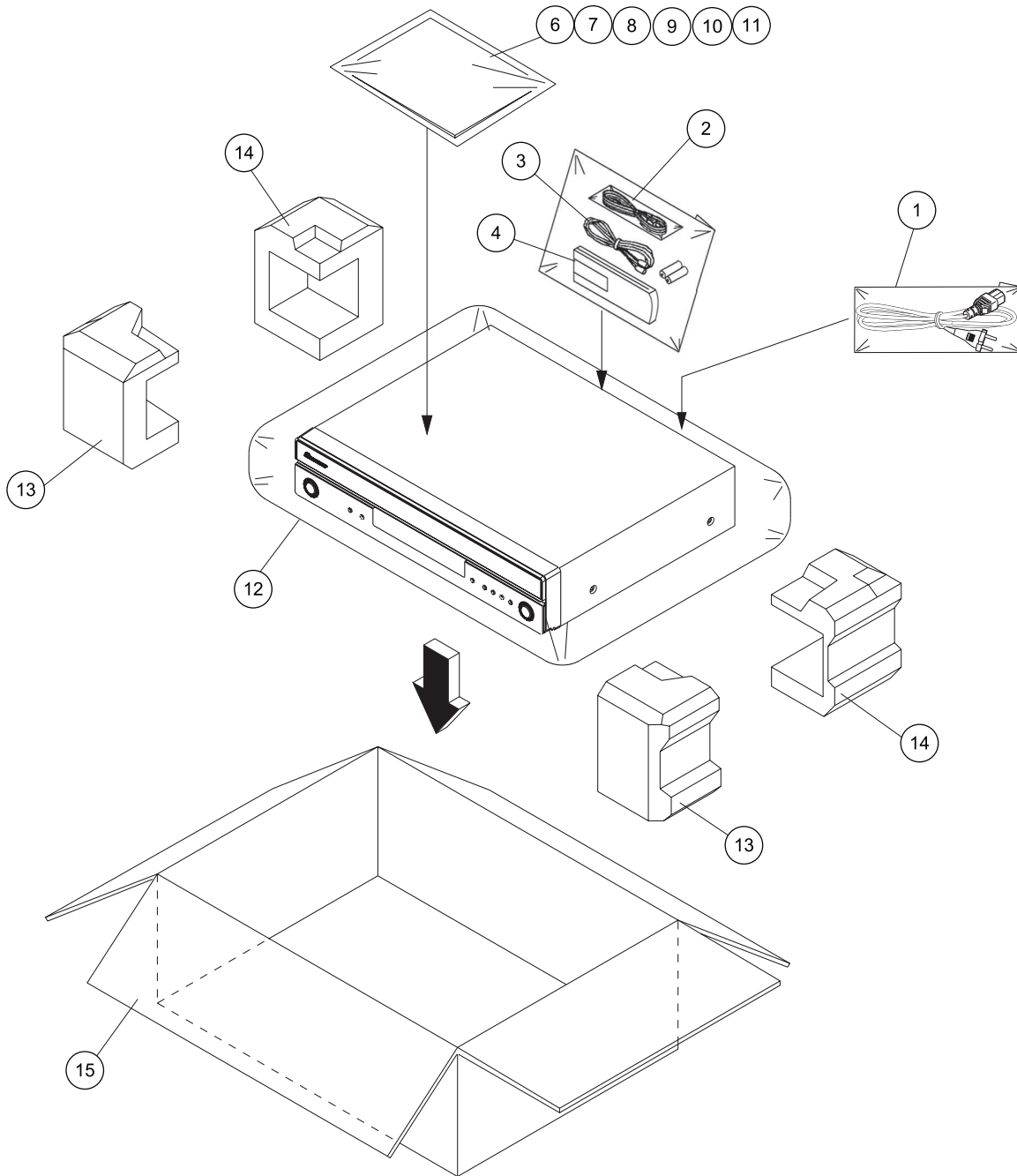


# 9. EXPLODED VIEWS AND PARTS LIST

- NOTES:
- Parts marked by "NSP" are generally unavailable because they are not in our Master Spare Parts List.
  - The  $\triangle$  mark found on some component parts indicates the importance of the safety factor of the part. Therefore, when replacing, be sure to use parts of identical designation.
  - Screws adjacent to  $\nabla$  mark on product are used for disassembly.
  - For the applying amount of lubricants or glue, follow the instructions in this manual. (In the case of no amount instructions, apply as you think it appropriate.)

## 9.1 PACKING SECTION



**(1)PACKING SECTION parts List**

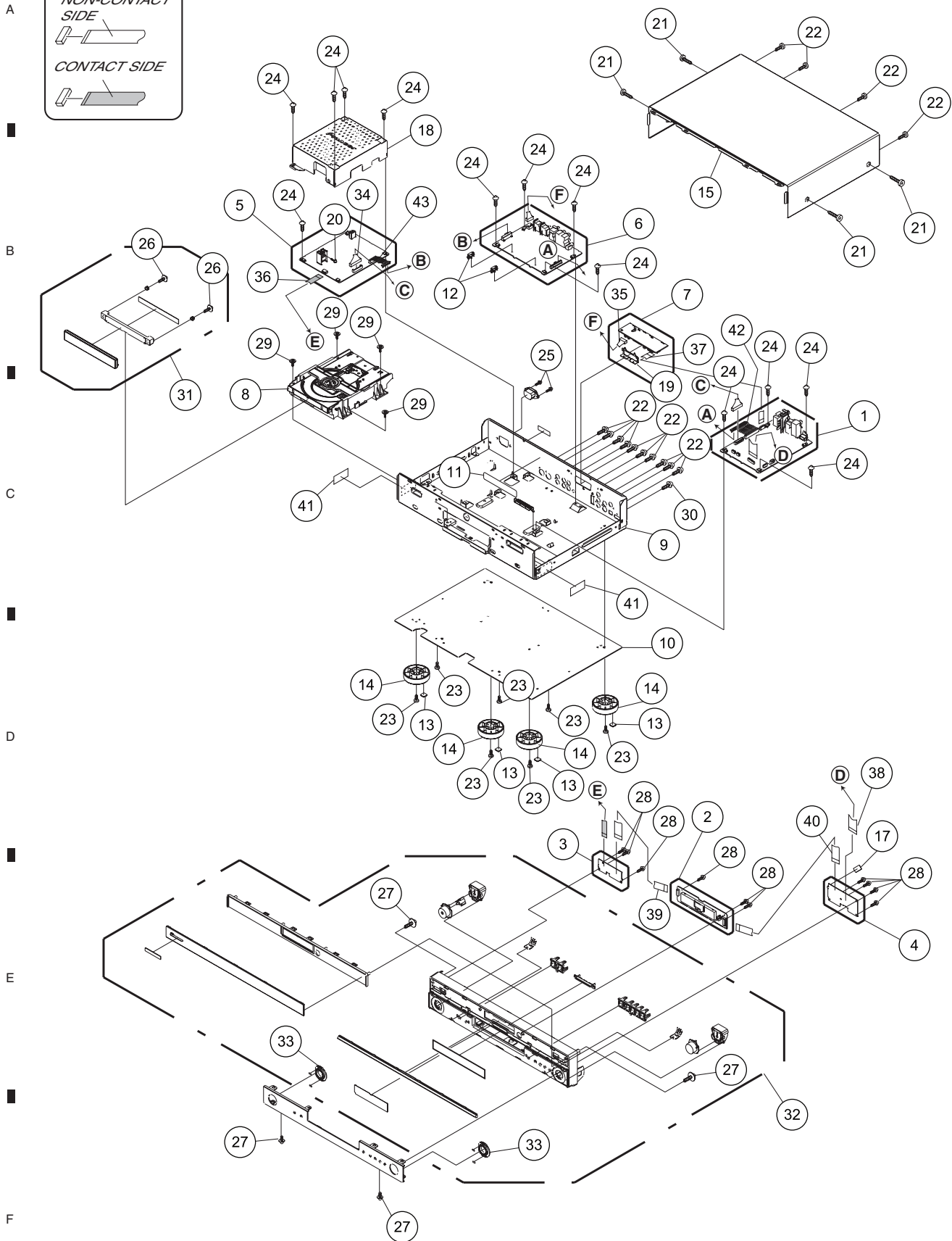
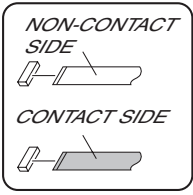
<u>Mark No.</u>	<u>Description</u>	<u>Part No.</u>	<u>Mark No.</u>	<u>Description</u>	<u>Part No.</u>
△ 1	Power Cable	120S155806		(Dutch/Spanish)	
2	AudioCable	06CPBA2008	10	Operating Instructions	See Contrast table (2)
3	Video Cable	06CPBA2005		(Russian)	
4	Remote Control	07650PG021			
5	•••••		11	Polyethylene Bag,Instruction	See Contrast table (2)
			12	Lightron Sheet	791WHA0151
NSP 6	Warranty Card	J2K80202A	13	Package, Front	792WHA0740
7	Operating Instructions (English/Italian)	See Contrast table (2)	14	Package, Back	792WHA0741
8	Operating Instructions (French/German)	See Contrast table (2)	15	Gift Box	See Contrast table (2)
9	Operating Instructions	See Contrast table (2)			

**(2) CONTRAST TABLE**

DV-LX50/WYXZT5 and DV-LX50/WYXZTUR5 are constructed the same except for the following:

Mark	No.	Symbol and Description	DV-LX50/WYXZT5	DV-LX50/WYXZTUR5
	7	Operating Instructions (English/Italian)	J2K80221A	Not used
	8	Operating Instructions (French/German)	J2K80222A	Not used
	9	Operating Instructions (Dutch/Spanish)	J2K80223A	Not used
	10	Operating Instructions (Russian)	Not used	J2K80701A
	11	Polyethylene Bag, Instruction	JB5KD400	JB5KD200
	15	Gift Box	793WCD1837	793WCDD617

# 9.2 EXTERIOR SECTION



## EXTERIOR SECTION parts List

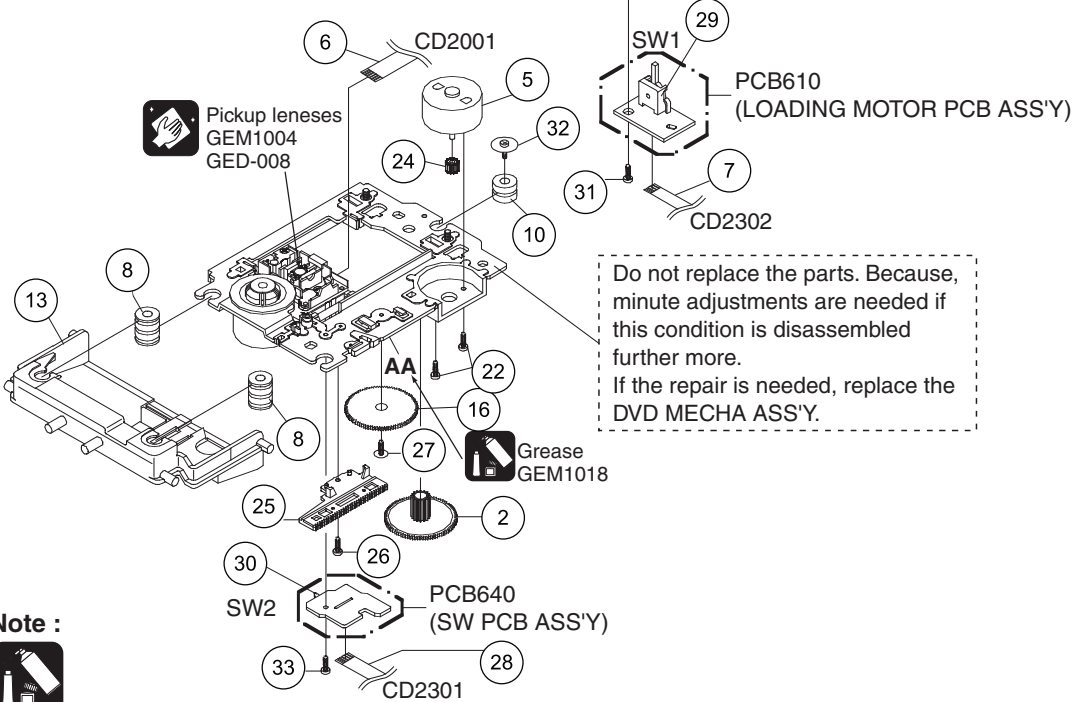
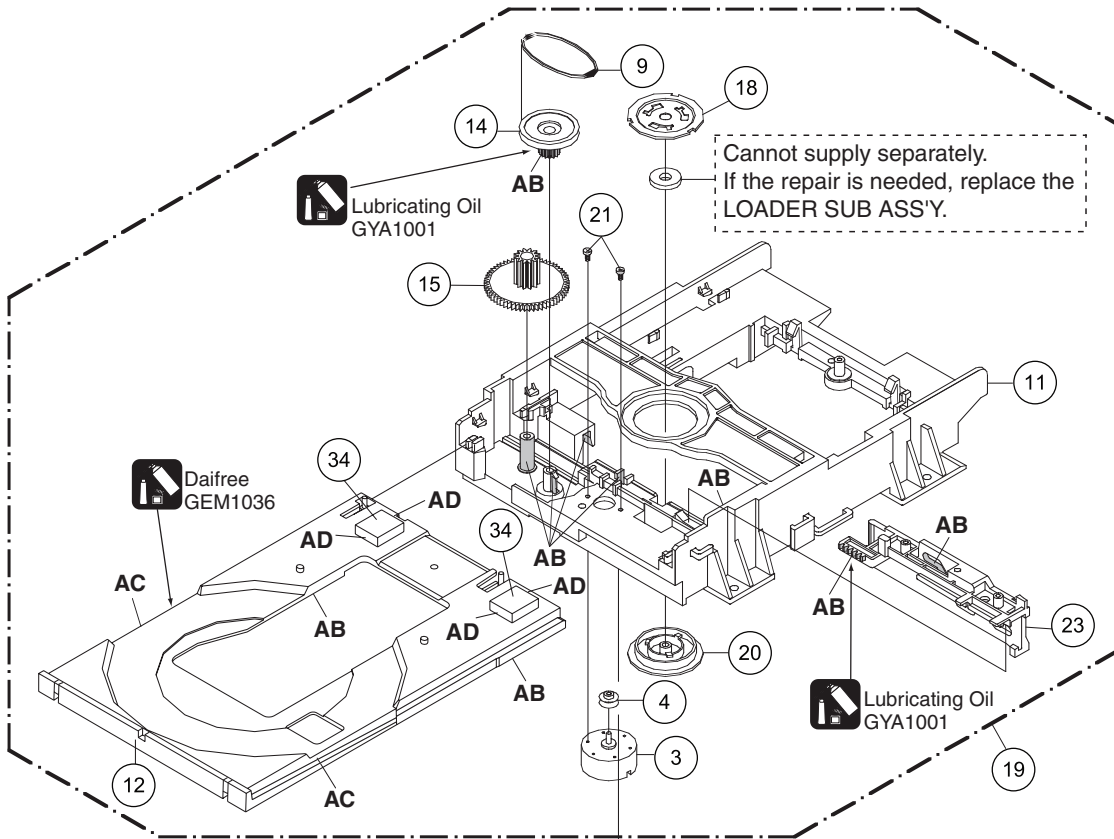
Mark No.	Description	Part No.	Mark No.	Description	Part No.
1	DVD MT PCB Assy	A2K802A130	23	Screw, Tap Tite(B) BIND (3x8)	810923080S
2	OPERATION 1 PCB Assy	A2K802A270	24	Screw, Tap Tite(B) BIND (3x8)	810923080U
3	OPERATION 2 PCB Assy	A2K802A280	25	Screw, Tap Tite(B) FLAT (3x8CU)	810933080L
4	OPERATION 3 PCB Assy	A2K802ADF0	26	Screw, Tap Tite(P) WH10 (M2.6x8)	8110E2680S
⚠ 5	POWER PCB Assy	A2K802A240	27	Screw, Tap Tite(P) BIND (2.6x8)	811022680S
6	AUDIO PCB ASSY	A2K802AF70	28	Screw, Tap Tite(P) BIND (2.6x8)	811022680U
7	REAR JACK PCB ASSY	A2K802A250	29	Screw, Tap Tite(S) -R WASHER8 (3x6.3CH)	816423063U
8	DVD MECHA ASSY	A2K802A650	30	Screw Pan	810213080L
NSP 9	Plate, Bottom	761WSD0003	31	Tray Assy	7A7110026A
NSP 10	Plate Bottom Under	761WSB0069	32	Front Cabi Assy	7A7010323A
NSP 11	Sheet, Caution	726000A140	33	Button Ring Assy	7A7370001A
12	Holder Wire	899RLMS2V0	34	Cord Connector (CD502)	06CU2B2502
13	Cushion, Leg	800SRA0002	35	Cord Connector (CD504)	06CU251601
14	Leg	704WPC0002	36	Cord Jumper (CD506)	122H061301
15	Cabinet, Top	702WSB0138	37	Cord Jumper (CD507)	122H081012
16	•••••		38	Cord Jumper (CD601)	122H0H1801
17	Sheet PC	724WNA0018	39	Cord Jumper (CD604)	122H0C0902
18	Shield Power	752WSB0001	40	Cord Jumper (CD605)	122H0E0803
19	Shield, 21Pin	761WSA0212	41	Acetate Tape	GYH1026
20	Screw, Tap Tite (B) WH7 (3x10)	8109I30A0U	42	Cord Connector (CP4002)	06CK7N0301
21	Screw, Tap Tite(B) PIBIND (3x6)	8109Q3060S	43	Cord Connector (CP503)	06CK790301
22	Screw, Tap Tite(B) BIND (3x8)	810923080L			

## (2) CONTRAST TABLE

DV-LX50/WYXZT5 and DV-LX50/WYXZTUR5 are constructed the same except for the following:

Mark	No.	Symbol and Description	DV-LX50/WYXZT5	DV-LX50/WYXZTUR5
	1	DVD MT PCB Assy	A2K802A130	A2K807A130
	9	Plate, Bottom	761WSD0003	761WSDA005

# 9.3 DVD MECHA SECTION



**Note :**



CLASS	PART NO.	MARK
GREASE	GEM1018	<b>AA</b>
	GYA1001	<b>AB</b>
	GEM1036	<b>AC</b>
Screw tight	GYL1001	<b>AD</b>

**NOTE:** Applying positions AA, AB and AC for the grease are displayed for this section. Check if the correct grease is applied for each position.

## DVD MECHA SECTION parts List

<u>Mark No.</u>	<u>Description</u>	<u>Part No.</u>
1	.....	
2	Gear,Middle	92P100117A
3	Loading Motor	1515S98004
4	Pulley,Motor	92P100097A
5	FEED Motor	1515S98004
6	Cord Jumper (CD2001)	12C14O2801
7	Cord Jumper (CD2302)	122H052601
8	Insulator (F)	92P200013A
9	Belt,Loading	92P200015A
10	Insulator (R)	92P200016A
11	Frame,main	92P100119A
12	Tray (R)	92P100151A
13	Holder ,Traverse	92P100125A
14	Gear,Pulley	92P100123A
15	Gear,Main	92P100124A
16	Gear,Feed	92P100116A
17	.....	
18	Plate, Clamper	92P000023A
19	LOADER SUB ASSY (R)	92AAA0024A
20	Clamper	92P100122A
21	Screw,Pan (M1.7x3 P3)	814011730U
22	Screw,Pan (M1.7x2.3 P3)	814011723U
23	Rack,Loading	92P100121A
24	Gear,Motor	92P100088A
25	Feed Rack Assy	92AAA0017A
26	Screw,T-Tite(B) (M1.7x5.0 P3)	813381750U
27	Screw,Gear Feed	92P700007A
28	Cord Jumper (CD2301)	122H062102
29	Switch (SW1)	0515S32003
30	Push Switch (SW2)	0500101036
31	Screw,Tap Tite(P) (2.6x8)	811022680U
32	Sems.Tap Tite(P) (2x8)	816112080U
33	Screw (Bind 2x8)	811022080U
34	Cushion	800WF00072