

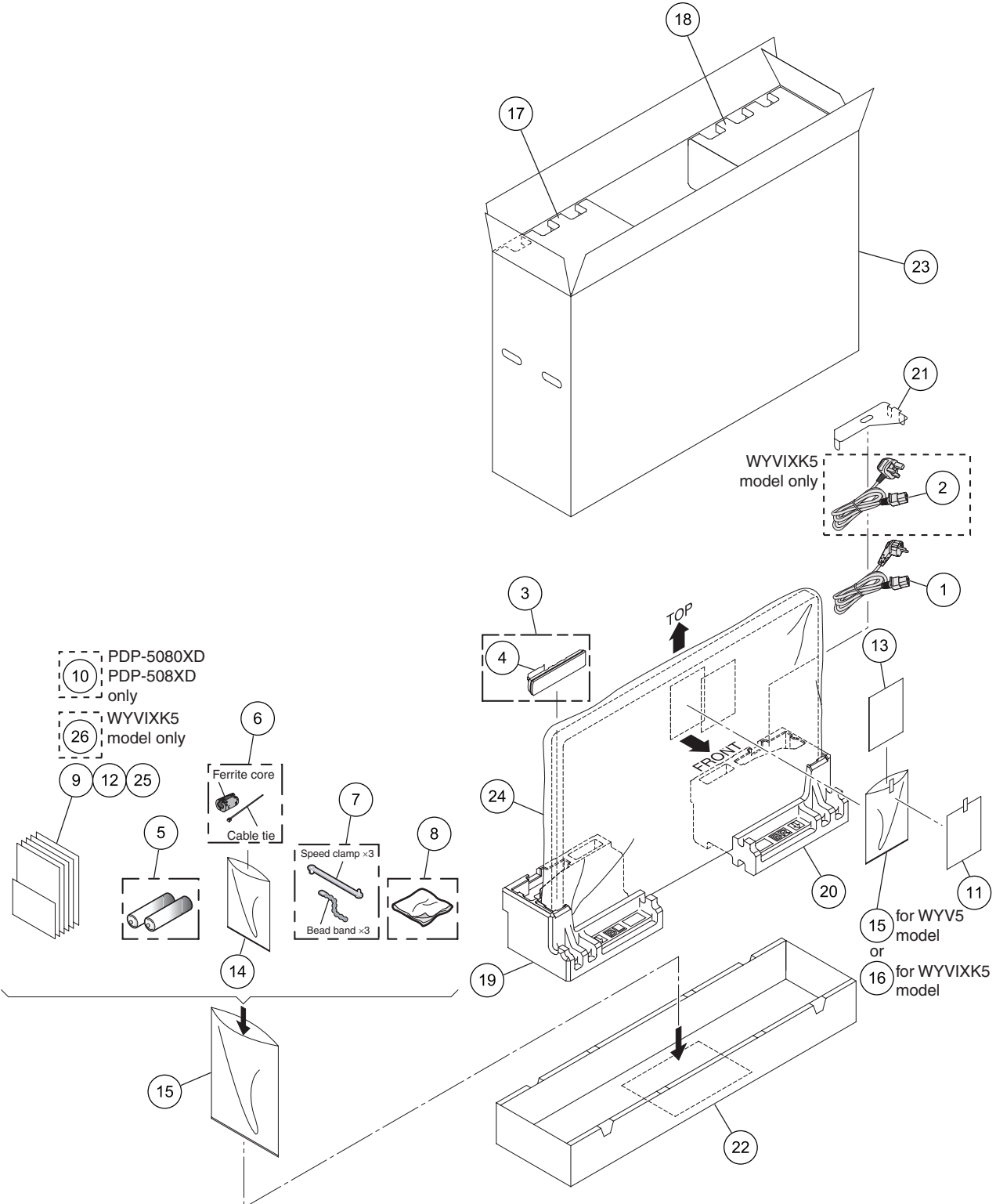


10. EXPLODED VIEWS AND PARTS LIST

- NOTES:
- Parts marked by "NSP" are generally unavailable because they are not in our Master Spare Parts List.
 - The  mark found on some component parts indicates the importance of the safety factor of the part. Therefore, when replacing, be sure to use parts of identical designation.
 - Screws adjacent to  mark on product are used for disassembly.
 - For the applying amount of lubricants or glue, follow the instructions in this manual. (In the case of no amount instructions, apply as you think it appropriate.)

10.1 PACKING SECTION



(1) PACKING SECTION PARTS LIST

<u>Mark No.</u>	<u>Description</u>	<u>Part No.</u>	<u>Mark No.</u>	<u>Description</u>	<u>Part No.</u>
⚠ 1	Power Cord (2 m)	ADG1214	14	Polyethylene Bag	AHG1337
⚠ 2	Power Cord (2 m)	See Contrast table (2)	NSP 15	Catalogue Bag	AHG1340
3	Remote Control Unit	See Contrast table (2)	16	Polyethylene Bag	See Contrast table (2)
4	Battery Cover	See Contrast table (2)	17	Pad (507 T-L)	See Contrast table (2)
NSP 5	Dry Cell Battery (R06, AA)	VEM1031	18	Pad (507 T-R)	See Contrast table (2)
⚠ 6	Ferrite Core (L5321)	ATX1039	19	Pad (507 B-L)	See Contrast table (2)
7	Binder Assy	AEC1908	20	Pad (507 B-R)	See Contrast table (2)
8	Cleaning Cloth	AED1285	21	Power Cord Lid	See Contrast table (2)
9	Operating Instructions (English, French, German)	See Contrast table (2)	22	Under Carton (507)	See Contrast table (2)
			23	Upper Carton	See Contrast table (2)
10	Operating Instructions (Italian, Spanish, Dutch)	See Contrast table (2)	24	Mirror Mat	See Contrast table (2)
11	Caution Card	See Contrast table (2)	25	After Image Caution	See Contrast table (2)
12	Cleaning Caution	See Contrast table (2)	26	Block Diagram	See Contrast table (2)
NSP 13	Warranty Card	ARY1114			

(2) CONTRAST TABLE

PDP-5080XA/WYV5, WYVIXK5, PDP-5080XD/WYV5, WYVIXK5, PDP-508XD/WYV5 and WYVIXK5 are constructed the same except for the following:

<u>Mark</u>	<u>No.</u>	<u>Symbol and Description</u>	<u>PDP-5080XA /WYV5</u>	<u>PDP-5080XA /WYVIXK5</u>	<u>PDP-5080XD /WYV5</u>	<u>PDP-5080XD /WYVIXK5</u>	<u>PDP-508XD /WYV5</u>	<u>PDP-508XD /WYVIXK5</u>
⚠	2	Power Cord (2 m)	Not used	ADG1223	Not used	ADG1223	Not used	ADG1223
	3	Remote Control Unit	AXD1553	AXD1553	AXD1552	AXD1552	AXD1551	AXD1551
	4	Battery Cover	AZA7424	AZA7424	AZA7424	AZA7424	AZN2626	AZN2626
	9	Operating Instructions (English, French, German)	ARE1478	ARE1477	ARE1485	ARE1476	ARE1484	ARE1475
	10	Operating Instructions (Italian, Spanish, Dutch)	Not used	Not used	ARC1602	ARC1587	ARC1601	ARC1586
	11	Caution Card	ARM1232	ARM1310	ARM1232	ARM1310	ARM1232	ARM1310
	12	Cleaning Caution	ARM1283	ARM1311	ARM1283	ARM1311	ARM1283	ARM1311
	16	Polyethylene Bag	Not used	AHG1326	Not used	AHG1326	Not used	AHG1326
	17	Pad (507 T-L)	AHA2538	AHA2558	AHA2538	AHA2558	AHA2538	AHA2558
	18	Pad (507 T-R)	AHA2539	AHA2559	AHA2539	AHA2559	AHA2539	AHA2559
	19	Pad (507 B-L)	AHA2540	AHA2560	AHA2540	AHA2560	AHA2540	AHA2560
	20	Pad (507 B-R)	AHA2541	AHA2561	AHA2541	AHA2561	AHA2541	AHA2561
	21	Power Cord Lid	AHC1085	AHC1087	AHC1085	AHC1087	AHC1085	AHC1087
	22	Under Carton (507)	AHD3473	AHD3498	AHD3473	AHD3498	AHD3473	AHD3498
	23	Upper Carton (5080XA)	AHD3605	AHD3620	Not used	Not used	Not used	Not used
	23	Upper Carton (5080XD)	Not used	Not used	AHD3642	AHD3604	Not used	Not used
	23	Upper Carton (508XD)	Not used	Not used	Not used	Not used	AHD3646	AHD3603
	24	Mirror Mat	AHG1284	AHG1327	AHG1284	AHG1327	AHG1284	AHG1327
	25	After Image Caution	ARM1350	ARM1349	ARM1350	ARM1349	ARM1350	ARM1349
	26	Block Diagram	Not used	ARY1202	Not used	ARY1202	Not used	ARY1202

10.2 REAR SECTION

A

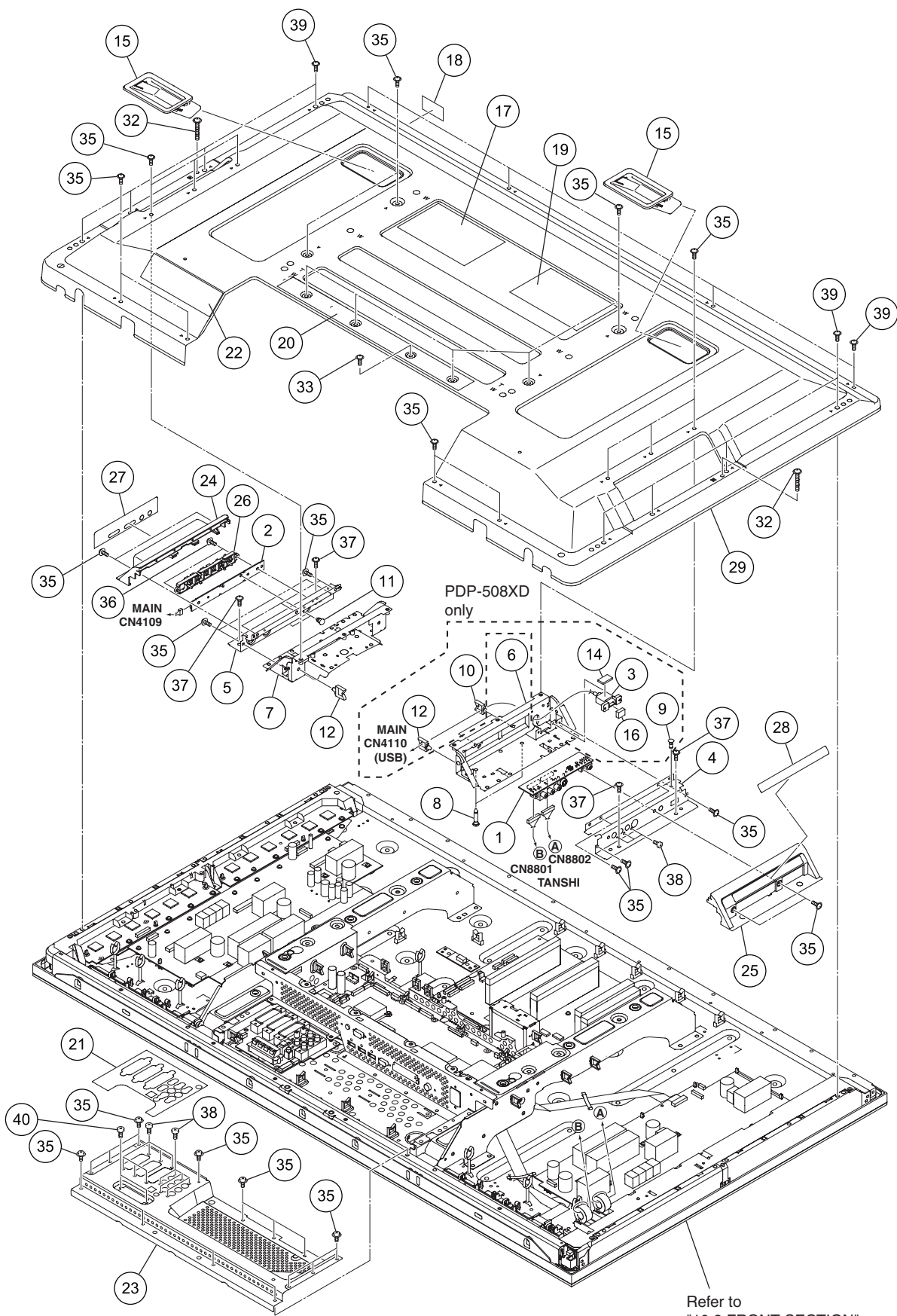
B

C

D

E

F



(1) REAR SECTION PARTS LIST

<u>Mark No.</u>	<u>Description</u>	<u>Part No.</u>	<u>Mark No.</u>	<u>Description</u>	<u>Part No.</u>
1	SIDE IO Assy	AWW1253	21	Label B50	See Contrast table (2)
2	SIDE KEY Assy	AWW1286	22	Label C	See Contrast table (2)
3	USB Cable (J301)	See Contrast table (2)	23	Terminal Panel B	See Contrast table (2)
4	Side Input Panel	See Contrast table (2)	24	Function Button Panel	AMB2906
5	Function Button Base	See Contrast table (2)	25	Side Input Cover	AMB2911
6	Side Input Shield	See Contrast table (2)	26	Function Button	AAC1565
7	Function Button Shield	See Contrast table (2)	27	Function Button Sheet	AAK2896
8	Spacer	AEC1288	28	Input Cover Label E	See Contrast table (2)
9	PCB Spacer	See Contrast table (2)	29	Rear Case (508)	ANE1666
10	Re-use Wire Saddle	See Contrast table (2)	30	•••••	
11	Locking Card Spacer	AEC2019	31	•••••	
12	Re-use Wire Saddle	AEC2118	32	Screw (3 x 40P)	ABA1332
13	•••••		33	Screw	ABA1341
14	USB Spacer A	See Contrast table (2)	34	•••••	
15	Inner Grip Assy	See Contrast table (2)	35	Screw	AMZ30P060FTB
⚠	Gasket (USB)	See Contrast table (2)	36	Screw	AMZ30P080FTC
NSP	Name Label	See Contrast table (2)	37	Screw	APZ30P080FTB
18	Serial Sheet	AAX3143	38	Screw	BPZ30P080FTB
19	Bolt Caution Label (E)	AAX3533	39	Screw	TBZ40P080FTB
20	Label A	See Contrast table (2)	40	Screw	BPZ30P100FTB

(2) CONTRAST TABLE

PDP-5080XA/WYV5, WYVIXK5, PDP-5080XD/WYV5, WYVIXK5, PDP-508XD/WYV5 and WYVIXK5 are constructed the same except for the following:

Mark	No.	Symbol and Description	PDP-5080XA /WYV5	PDP-5080XA /WYVIXK5	PDP-5080XD /WYV5	PDP-5080XD /WYVIXK5	PDP-508XD /WYV5	PDP-508XD /WYVIXK5
	3	USB Cable (J301)	Not used	Not used	Not used	Not used	ADF1034	ADF1034
	4	Side Input Panel (8E)	ANC2461	ANC2458	ANC2461	ANC2458	Not used	Not used
	4	Side Input Panel (8ES)	Not used	Not used	Not used	Not used	ANC2460	ANC2459
	5	Function Button Base	ANG2923	ANG3066	ANG2923	ANG3066	ANG2923	ANG3066
	6	Side Input Shield	ANK1834	ANK1938	ANK1834	ANK1938	ANK1834	ANK1938
	7	Function Button Shield	ANK1835	ANK1939	ANK1835	ANK1939	ANK1835	ANK1939
	9	PCB Spacer	Not used	Not used	Not used	Not used	AEC1570	AEC1570
	10	Re-use Wire Saddle	Not used	Not used	Not used	Not used	AEC1945	AEC1945
	14	USB Spacer A	Not used	Not used	Not used	Not used	AED1317	AED1317
	15	Inner Grip Assy	AMR3434	AMR3693	AMR3434	AMR3693	AMR3434	AMR3693
⚠	16	Gasket (USB)	Not used	Not used	Not used	Not used	ANK1846	ANK1846
NSP	17	Name Label (5080XA)	AAL2938	AAL2944	Not used	Not used	Not used	Not used
NSP	17	Name Label (5080XD)	Not used	Not used	AAL3001	AAL2940	Not used	Not used
NSP	17	Name Label (508XD)	Not used	Not used	Not used	Not used	AAL3005	AAL2942
	20	Label A (EA)	AAX3479	AAX3479	Not used	Not used	Not used	Not used
	20	Label A (ED)	Not used	Not used	AAX3480	AAX3480	AAX3480	AAX3480
	21	Label B50 (ERA)	AAX3541	AAX3541	Not used	Not used	Not used	Not used
	21	Label B50 (ERD)	Not used	Not used	AAX3542	AAX3542	Not used	Not used
	21	Label B50 (ESD)	Not used	Not used	Not used	Not used	AAX3543	AAX3543
	22	Label C (ERA)	AAX3502	AAX3502	Not used	Not used	Not used	Not used
	22	Label C (ERD)	Not used	Not used	AAX3503	AAX3503	Not used	Not used
	22	Label C (ESD)	Not used	Not used	Not used	Not used	AAX3504	AAX3504
	23	Terminal Panel B (50ER)	ANC2453	ANC2453	ANC2453	ANC2453	Not used	Not used
	23	Terminal Panel B (50ES)	Not used	Not used	Not used	Not used	ANC2454	ANC2454
	28	Input Cover Label E	AAX3375	AAX3396	AAX3375	AAX3396	Not used	Not used
	28	Input Cover Label 8ES	Not used	Not used	Not used	Not used	AAX3510	AAX3510

10.3 FRONT SECTION

A

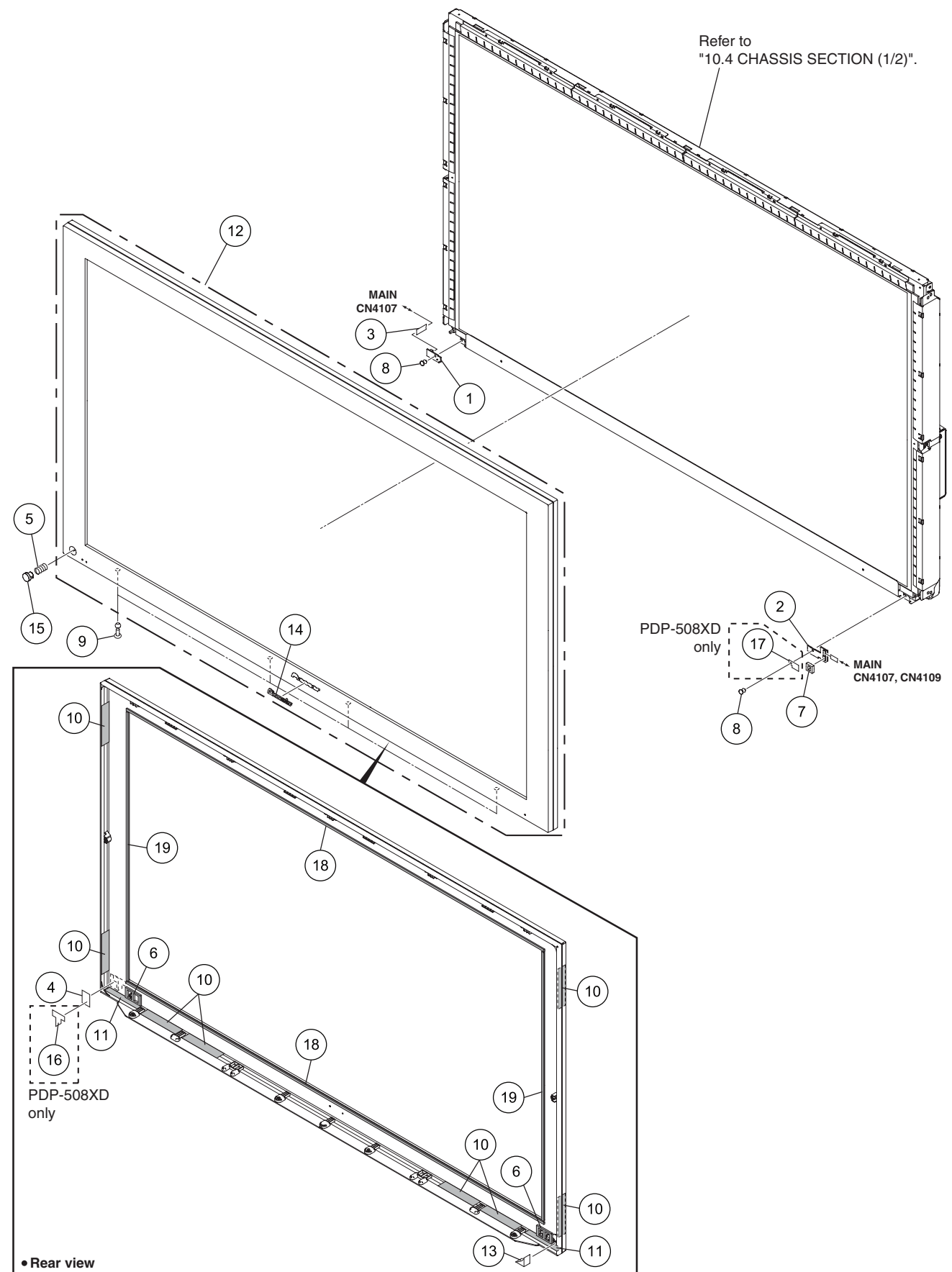
B

C

D

E

F



(1) FRONT SECTION PARTS LIST

<u>Mark No.</u>	<u>Description</u>	<u>Part No.</u>
1	50XGA LED Assy	AWW1280
2	50LED&IR Assy	See Contrast table (2)
3	3P Housing Wire (J116)	ADX3529
4	IR Reducer	See Contrast table (2)
5	Coil Spring	See Contrast table (2)
6	Blind Cushion	AEB1415
7	IR Block Cushion	AEB1465
8	Nylon Rivet	AEC1671
9	Rivet	AEC1877
10	Insulation Sheet A	AED1283
11	Insulation Sheet B	See Contrast table (2)
12	Front Case Assy	See Contrast table (2)
13	Corner Cushion	AEB1416
14	Pioneer Name Plate (50)	AAM1116
15	Power Button	See Contrast table (2)
16	Sensor Cushion (508)	See Contrast table (2)
17	Sensor Filter	See Contrast table (2)
NSP 18	Panel Cushion H (50)	AED1320
NSP 19	Panel Cushion V (50)	AED1321

(2) CONTRAST TABLE

PDP-5080XA/WYV5, WYVIXK5, PDP-5080XD/WYV5, WYVIXK5, PDP-508XD/WYV5 and WYVIXK5 are constructed the same except for the following:

Mark	No.	Symbol and Description	PDP-5080XA /WYV5	PDP-5080XA /WYVIXK5	PDP-5080XD /WYV5	PDP-5080XD /WYVIXK5	PDP-508XD /WYV5	PDP-508XD /WYVIXK5
	2	50LED&IR Assy	AWW1283	AWW1283	AWW1283	AWW1283	AWW1281	AWW1281
	4	IR Reducer	AAX3455	AAX3455	AAX3455	AAX3455	AAX3552	AAX3552
	5	Coil Spring	ABH1125	ABH1125	ABH1125	ABH1125	ABH1128	ABH1128
	11	Insulation Sheet B	AED1284	AED1284	AED1284	AED1284	AED1325	AED1325
	12	Front Case Assy (5080XA)	AMB3033	AMB3033	Not used	Not used	Not used	Not used
	12	Front Case Assy (5080XD)	Not used	Not used	AMB3032	AMB3032	Not used	Not used
	12	Front Case Assy (508XD)	Not used	Not used	Not used	Not used	AMB3025	AMB3025
	15	Power Button (B)	AAD4154	AAD4154	AAD4154	AAD4154	Not used	Not used
	15	Power Button (E)	Not used	Not used	Not used	Not used	AAD4153	AAD4153
	16	Sensor Cushion (508)	Not used	Not used	Not used	Not used	AEB1487	AEB1487
	17	Sensor Filter	Not used	Not used	Not used	Not used	AAK2926	AAK2926

10.4 CHASSIS SECTION (1/2)

A

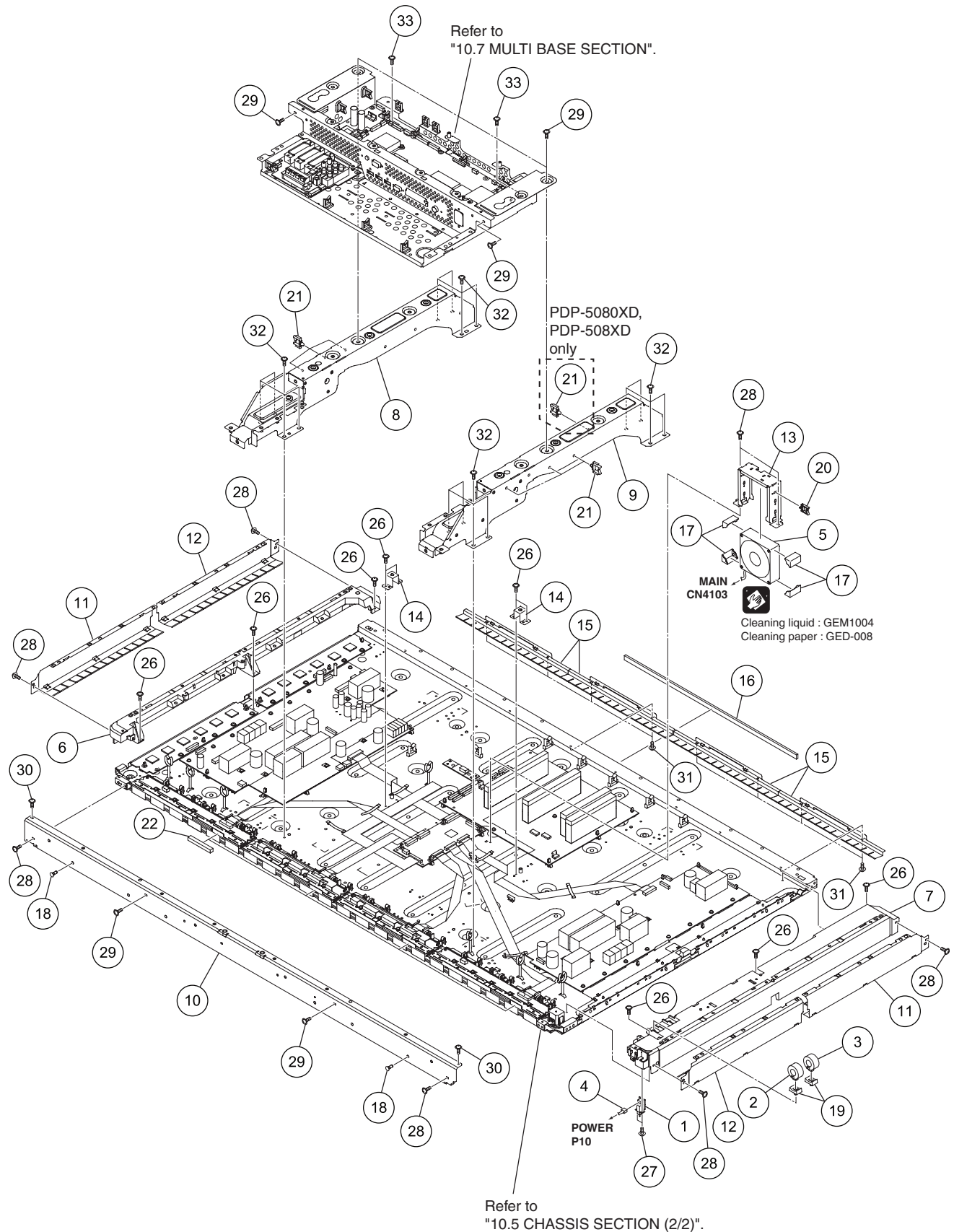
B

C

D

E

F



5 6 7 8

(1) CHASSIS SECTION (1/2) PARTS LIST

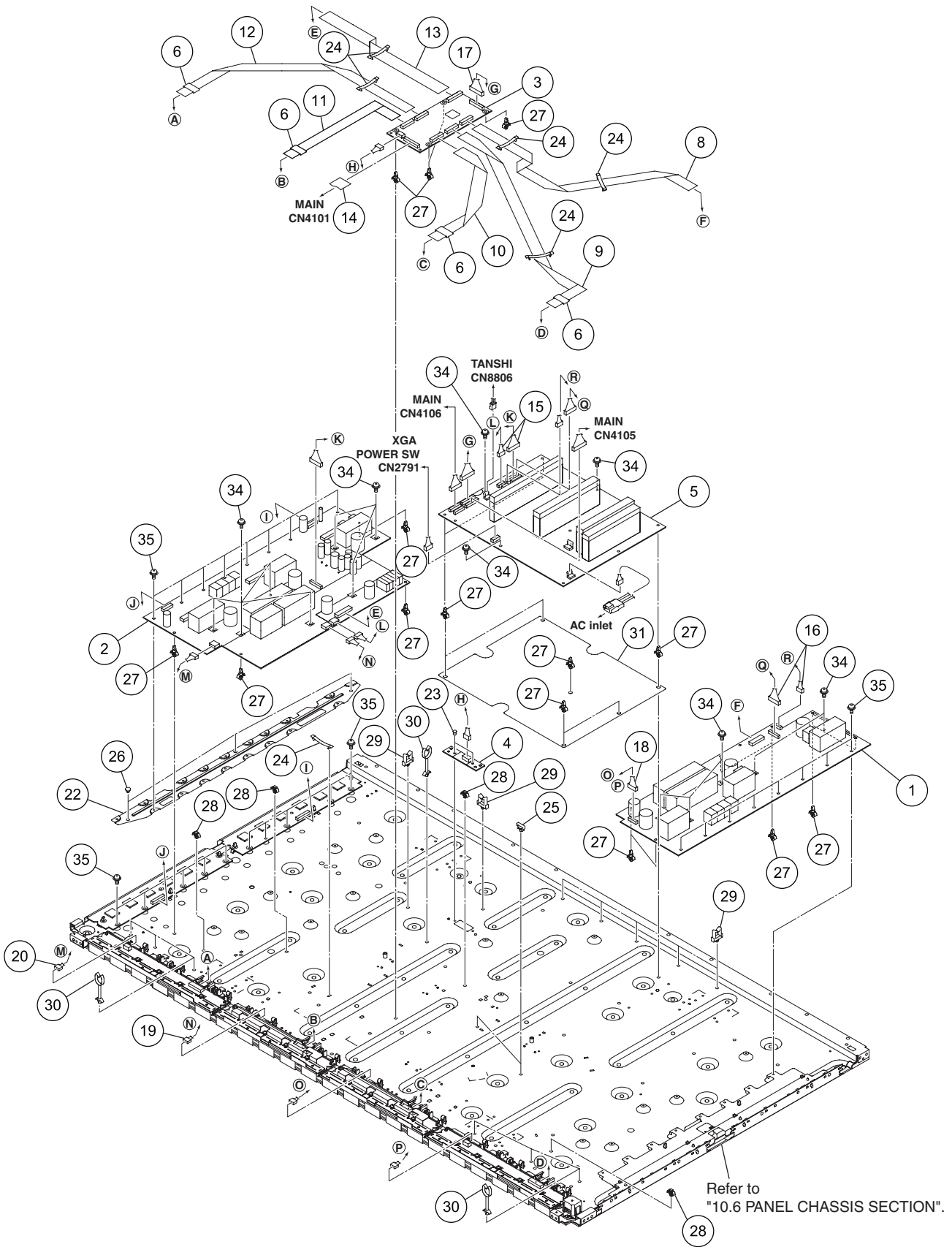
<u>Mark No.</u>	<u>Description</u>	<u>Part No.</u>	<u>Mark No.</u>	<u>Description</u>	<u>Part No.</u>
1	XGA POWER SW Assy	AWW1261	21	Re-use Wire Saddle	AEC2118
2	Ferrite Core (L1)	ATX1044	⚠ 22	Address Gasket (42)	ANK1877
3	Ferrite Core (F10)	ATX1060	23	•••••	
4	Housing Wire (J103)	ADX3521	24	•••••	
⚠ 5	Fan Motor 80 x 25L	AXM1057	25	•••••	
6	Front Chassis VL (50)	AMA1014	26	Screw	ABA1351
7	Front Chassis VR 508	AMA1029	27	Screw	ABA1370
8	Sub Frame L Assy 507	See Contrast table (2)	28	Screw	ABZ30P080FTC
9	Sub Frame R Assy 507	See Contrast table (2)	29	Screw	AMZ30P060FTB
10	Front Chassis H Assy (508)	ANA2106	30	Screw	APZ30P080FTB
⚠ 11	Panel Holder V1 (50)	ANG2770	31	Screw	BBZ30P060FTC
⚠ 12	Panel Holder V2 (50)	ANG2771	32	Screw	TBZ40P080FTB
13	Fan Holder	ANG2833	33	Screw	ABA1364
14	Multi Base Holder	ANG2937			
⚠ 15	Panel Holder H (508)	ANG3087			
16	Waterproof Cushion	AEB1424			
17	Floating Rubber 80	AEB1427			
18	PCB Spacer	AEC1570			
19	Ferrite Core Holder	AEC1818			
20	Re-use Wire Saddle	AEC1945			

(2) CONTRAST TABLE

PDP-5080XA/WYV5, WYVIXK5, PDP-5080XD/WYV5, WYVIXK5, PDP-508XD/WYV5 and WYVIXK5 are constructed the same except for the following:

Mark	No.	Symbol and Description	PDP-5080XA /WYV5	PDP-5080XA /WYVIXK5	PDP-5080XD /WYV5	PDP-5080XD /WYVIXK5	PDP-508XD /WYV5	PDP-508XD /WYVIXK5
	8	Sub Frame L Assy 507	ANA1945	ANA2080	ANA1945	ANA2080	ANA1945	ANA2080
	9	Sub Frame R Assy 507	ANA1946	ANA2081	ANA1946	ANA2081	ANA1946	ANA2081

10.5 CHASSIS SECTION (2/2)



CHASSIS SECTION (2/2) PARTS LIST

<u>Mark No.</u>	<u>Description</u>	<u>Part No.</u>	
1	50 X DRIVE Assy	AWV2447	
2	50 Y DRIVE Assy	AWW1260	A
3	50 DIGITAL Assy	AWW1270	
4	SENSOR Assy	AWW1272	
⚠ 5	POWER SUPPLY Unit	AXY1157	
6	Ferrite Core (F1 - F4)	ATX1048	
7	•••••		
8	Flexible Cable (J201)	ADD1476	
9	Flexible Cable (J202)	ADD1477	
10	Flexible Cable (J203)	ADD1478	
11	Flexible Cable (J204)	ADD1479	B
12	Flexible Cable (J205)	ADD1480	
13	Flexible Cable (J206)	ADD1481	
14	Flexible Cable (J211)	ADD1482	
15	9P&6/5P Housing Wire (J101)	ADX3519	
16	8P&5P Housing Wire (J102)	ADX3520	
17	14P&5P Housing Wire (J104)	ADX3522	
18	8P/4P Housing Wire (J108)	ADX3525	
19	4P Housing Wire (J109)	ADX3526	
20	4P Housing Wire (J110)	ADX3527	C
21	•••••		
22	Conductive Plate Y (508)	ANG3083	
23	Nylon Rivet	AEC1671	
24	Flat Clamp	AEC1879	
25	Locking Wire Saddle	AEC1948	
26	Card Spacer	AEC1957	
27	PCB Spacer (Re-use)	AEC1941	
28	Re-use Card Spacer	AEC2117	
29	Re-use Wire Saddle	AEC2118	
30	Re-use HL 28	AEC2119	D
⚠ 31	Power Sheet (8G)	AMR3708	
32	•••••		
33	•••••		
34	Screw	ABA1351	
35	Screw	ABA1364	

10.6 PANEL CHASSIS SECTION

A

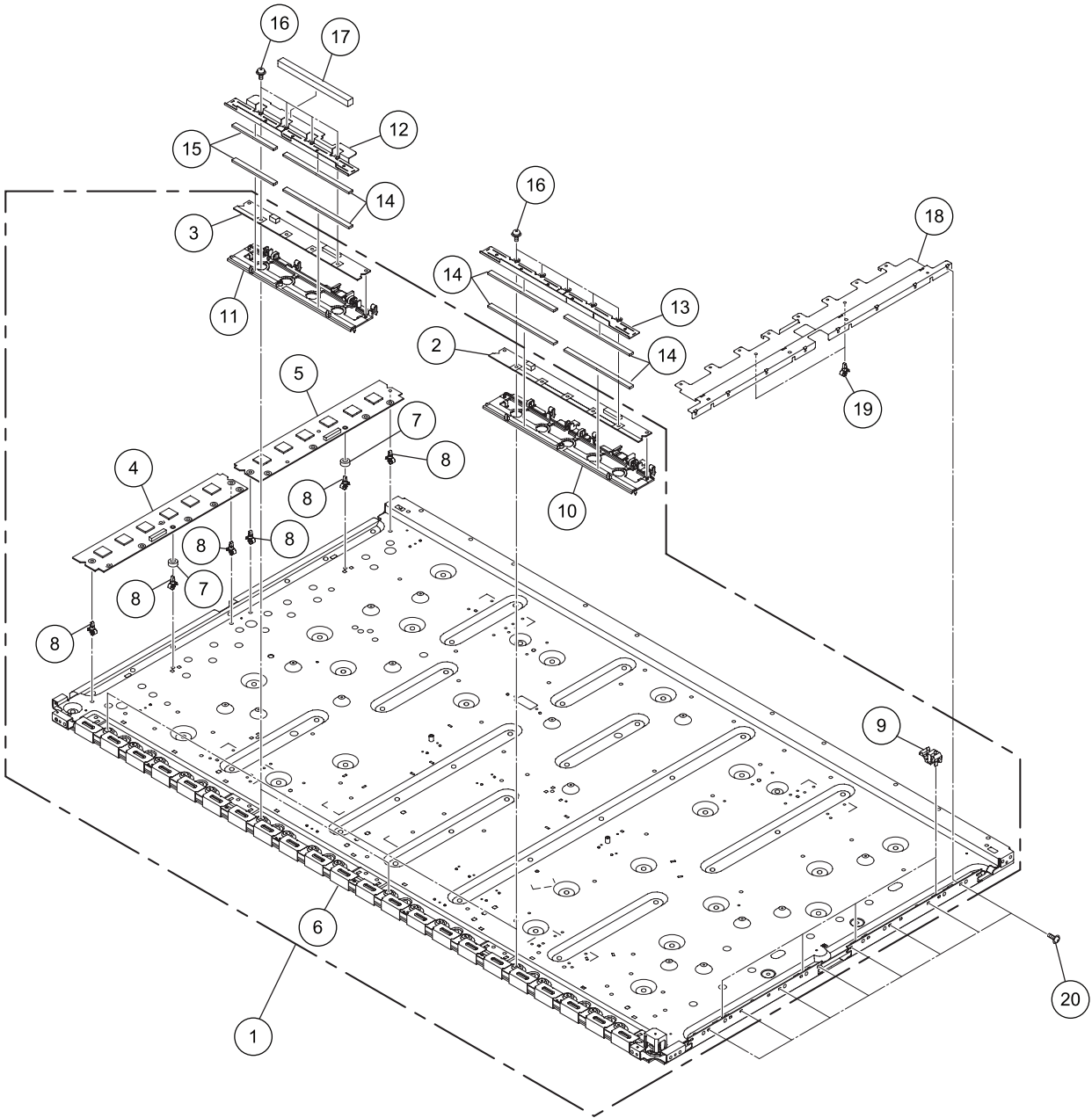
B

C


D

E

F



PANEL CHASSIS SECTION PARTS LIST

<u>Mark No.</u>	<u>Description</u>	<u>Part No.</u>
NSP 1	Panel Chassis (508) Assy	AWU1248
NSP 2	50 ADDRESS L Assy	AWW1264
NSP 3	50 ADDRESS S Assy	AWW1265
NSP 4	50 SCAN A Assy	AWW1268
NSP 5	50 SCAN B Assy	AWW1269
NSP 6	Plasma Panel (508) Assy	AWU1249
7	Insulation Bushing 1.5	AEB1482
8	PCB Spacer	AEC1944
9	Conductive Plate Holder	AMR3446
10	Address Holder Assy A (508)	AMR3716
11	Address Holder Assy B (508)	AMR3717
12	Address Plate A (508)	ANG3085
13	Address Plate B (508)	ANG3086
14	Address Silicone A (508)	AEH1146
15	Address Silicone A	AEH1093
16	Screw	ABA1351
 17	Gasket AD	ANK1948
18	Conductive Plate X	ANG3081
19	PCB Spacer	AEC2087
20	Screw	ABA1364

10.7 MULTI BASE SECTION

A

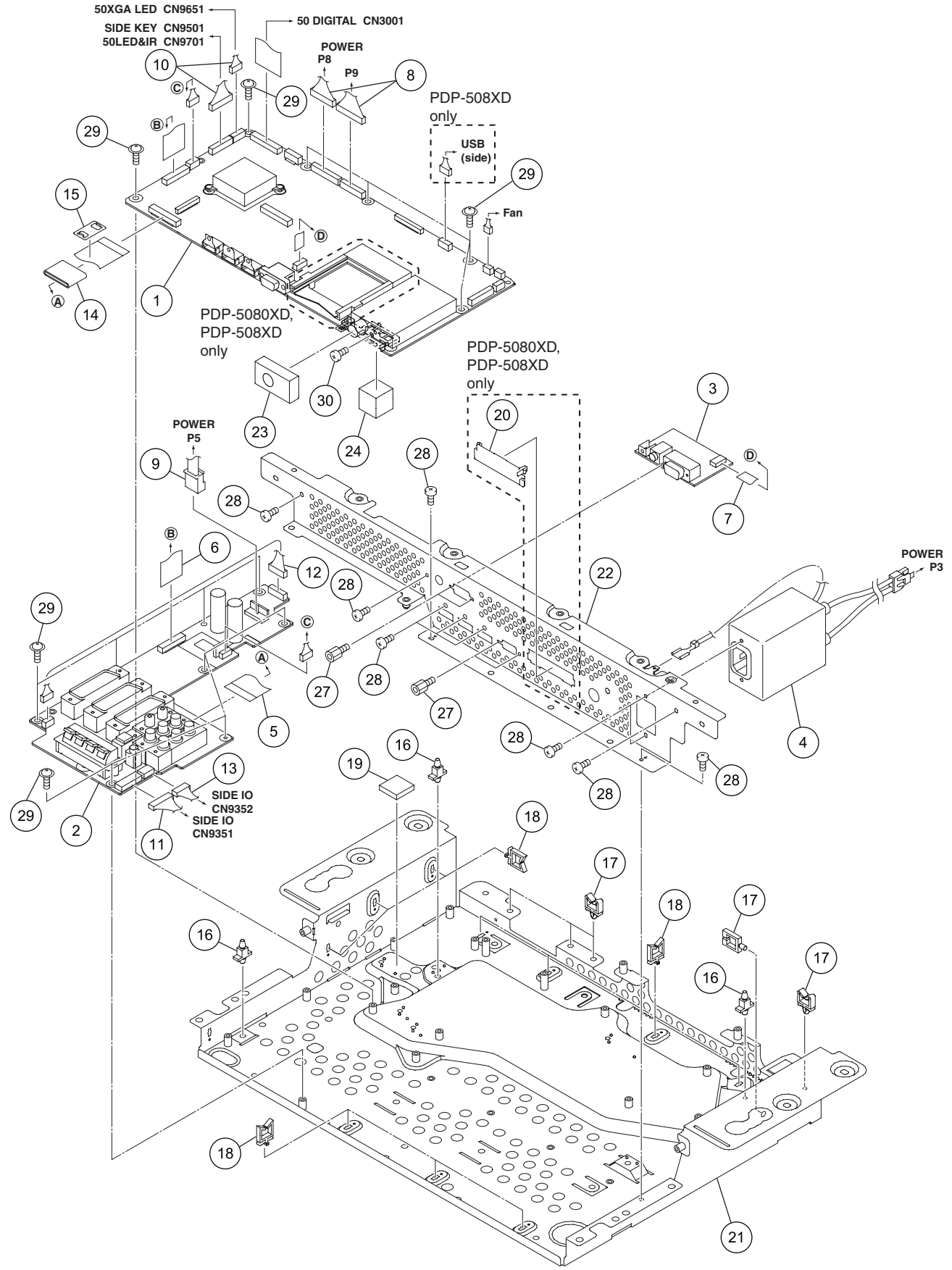
B

C

D

E

F



(1) MULTI BASE SECTION PARTS LIST

<u>Mark No.</u>	<u>Description</u>	<u>Part No.</u>	<u>Mark No.</u>	<u>Description</u>	<u>Part No.</u>
⚠ 1	MAIN Assy	See Contrast table (2)	16	Locking Card Spacer	AEC1429
2	TANSHI Assy	See Contrast table (2)	17	Wire Saddle	AEC1745
3	232C Assy	AWW1254	18	Re-use Wire Saddle	AEC1945
⚠ 4	AC Inlet (CN1)	AKP1316	19	Silicone Sheet Audio	AEH1143
5	Flexible Cable (J212)	ADD1441	20	POD Cover	See Contrast table (2)
6	Flexible Cable (J213)	ADD1491	21	Multi Base Assy (J)	ANA2103
7	Flexible Cable (J217)	ADD1494	22	Terminal Panel A	See Contrast table (2)
8	12P&15P Housing Wire (J106)	ADX3523	⚠ 23	Gasket FE	ANK1945
9	5P Housing Wire (J107)	ADX3524	24	Gasket EC	ANK1954
10	6/11/3/8/4P Housing Wire (J114)	ADX3528	25	•••••	
11	11P Housing Wire (J118)	ADX3530	26	•••••	
12	8P/4P Housing Wire (J119)	ADX3531	27	Hex. Head Screw	BBA1051
13	5P Housing Wire (J125)	ADX3533	28	Screw	BMZ30P060FTB
14	Ferrite Core	ATX1064	29	Screw	PMB30P080FNI
15	Ferrite Stopper	AEC1981	30	Screw	ABA1354

(2) CONTRAST TABLE

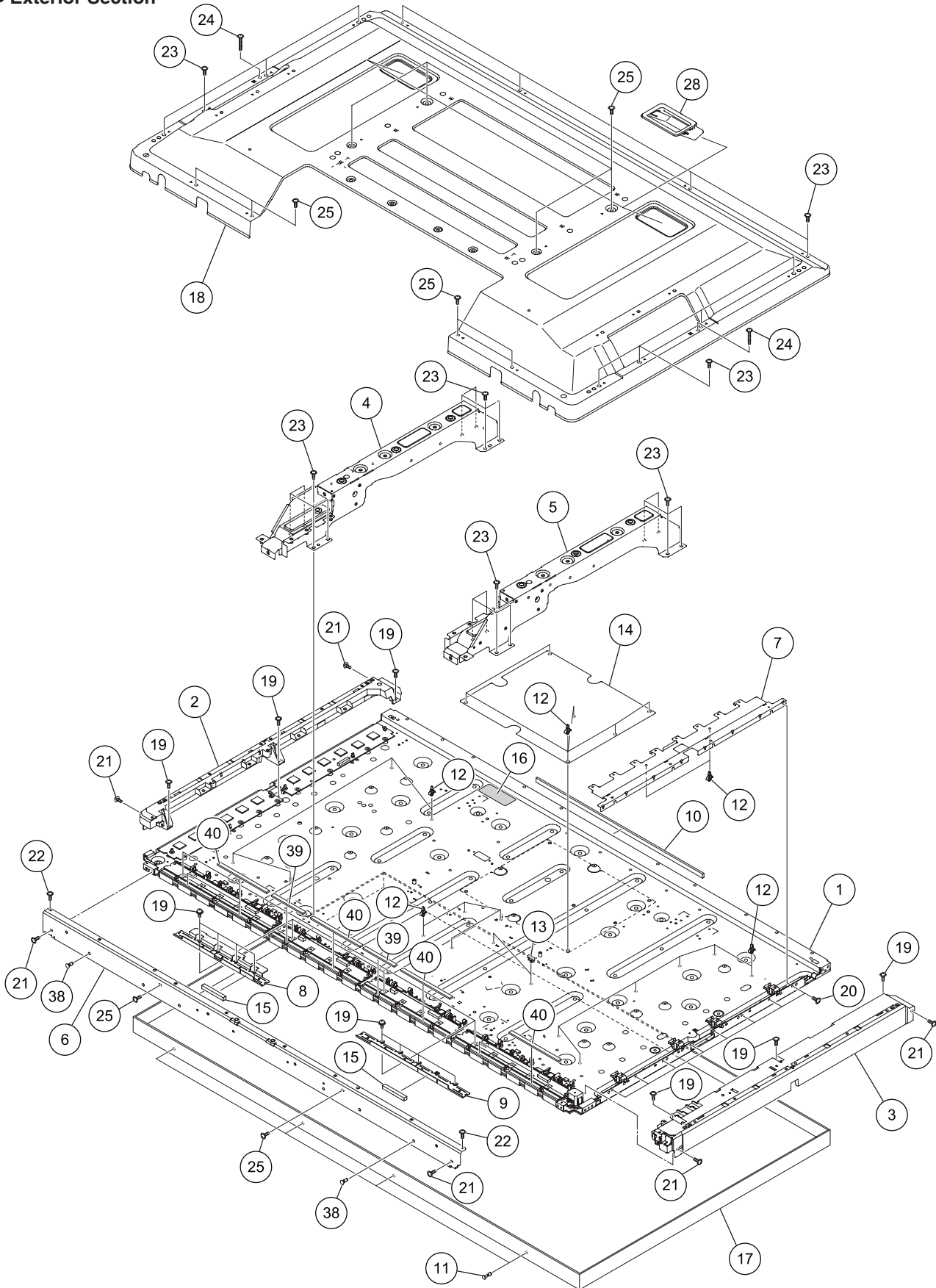
PDP-5080XA/WYV5, WYVIXK5, PDP-5080XD/WYV5, WYVIXK5, PDP-508XD/WYV5 and WYVIXK5 are constructed the same except for the following:

Mark	No.	Symbol and Description	PDP-5080XA /WYV5	PDP-5080XA /WYVIXK5	PDP-5080XD /WYV5	PDP-5080XD /WYVIXK5	PDP-508XD /WYV5	PDP-508XD /WYVIXK5
⚠	1	MAIN Assy	AWV2463	AWV2463	AWV2462	AWV2462	AWV2461	AWV2461
	2	TANSHI Assy	AWW1252	AWW1252	AWW1250	AWW1250	AWW1248	AWW1248
	20	POD Cover	Not used	Not used	AMR3542	AMR3542	AMR3542	AMR3542
	22	Terminal Panel A (EA)	ANC2442	ANC2442	Not used	Not used	Not used	Not used
	22	Terminal Panel A (ED)	Not used	Not used	ANC2441	ANC2441	ANC2441	ANC2441

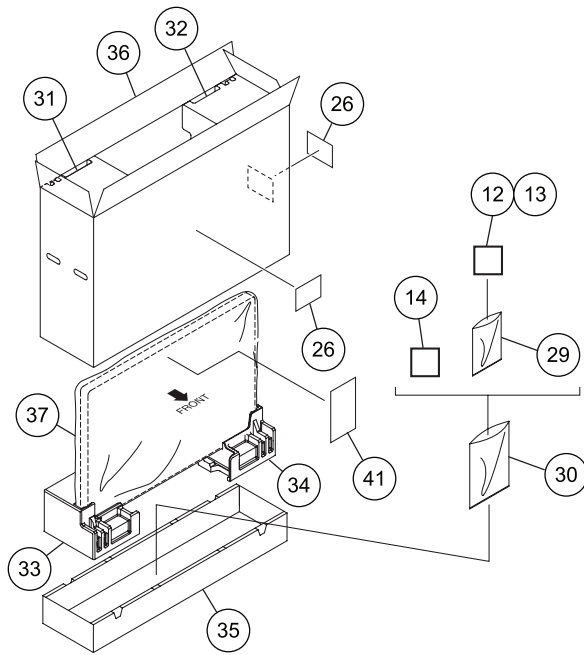
1 2 3 4

10.8 PDP SERVICE ASSY 508

A ● Exterior Section



● Packing Section



Refer to the "• Exterior Section"
for the mounting position.

PDP SERVICE ASSY 508 PARTS LIST

<u>Mark No.</u>	<u>Description</u>	<u>Part No.</u>	<u>Mark No.</u>	<u>Description</u>	<u>Part No.</u>
NSP 1	Panel Chassis (508) Assy	AWU1248	26	Caution Label	AAX3031
2	Front Chassis VL (50)	AMA1014	27	•••••	
3	Front Chassis VR (508)	AMA1029	28	Inner Grip Assy	AMR3434
4	Sub Frame L Assy 507	ANA1945	29	Polyethylene Bag S	AHG1338
5	Sub Frame R Assy 507	ANA1946	30	Catalogue Bag	AHG1340
6	Front Chassis H Assy (508)	ANA2106	31	Pad (507 T-L)	AHA2538
7	Conductive Plate X (508)	ANG3081	32	Pad (507 T-R)	AHA2539
8	Address Plate A (508)	ANG3085	33	Pad (507 B-L)	AHA2540
9	Address Plate B (508)	ANG3086	34	Pad (507 B-R)	AHA2541
10	Waterproof Cushion	AEB1424	35	Under Carton (507)	AHD3473
11	Rivet	AEC1877	36	Upper Carton (507 service)	AHD3550
12	PCB Spacer	AEC1941	37	Protect Sheet	AHG1331
13	Locking Wire Saddle	AEC1948	38	PCB Spacer	AEC1570
⚠ 14	Power Sheet (8G)	AMR3708	39	Address Silicone A	AEH1093
⚠ 15	Address Gasket (42)	ANK1877	40	Address Silicone A (508)	AEH1146
NSP 16	Drive Voltage Label	ARW1097	41	Caution Sheet (8G service)	ARM1369
NSP 17	Front Case Assy (507 service)	AMB2977			
18	Rear Case (508)	ANE1666			
19	Screw	ABA1351			
20	Screw	ABA1364			
21	Screw	ABZ30P080FTC			
22	Screw	APZ30P080FTB			
23	Screw	TBZ40P080FTB			
24	Screw (3 x 40P)	ABA1332			
25	Screw	AMZ30P060FTB			

Changed contents

Suffix	Applied Page or Title	Revision	Date
002	Coversheet	Deleted the description of the reference service manual.	June 22, 2007