

NL11F

Standard Compressor

R134a

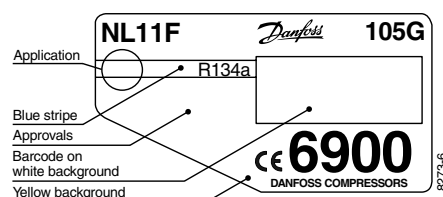
220-240V 50Hz

Data Sheet (Replaces CG.43.J1.02)

General

| | |
|--|--------------|
| Compressor | NL11F |
| Code number | 105G6900 |
| Code number | 105G6901*) |
| Code number compressor with oil cooler | 105G6910 |

*) Performance data established on 8.2 mm suction line. Restrictions due to 6.2 mm suction line can affect system performance.



Application

| | | |
|--------------------------------|------|------------------|
| Application | | LBP |
| Evaporating temperature range | °C | -35 to -10 |
| Voltage range | V/Hz | 198 - 254 /50 |
| Motor type | | RSIR/CSIR |
| Max. ambient temperature | °C | 38 |
| Comp. cooling at ambient temp. | 32°C | O/F ₁ |
| | 38°C | O/F ₁ |

- S = Static cooling normally sufficient
- O = Oil cooling
- F₁ = Fan cooling 1.5 m/s
(compressor compartment temperature equal to ambient temperature)
- F₂ = Fan cooling 3.0 m/s necessary

Design

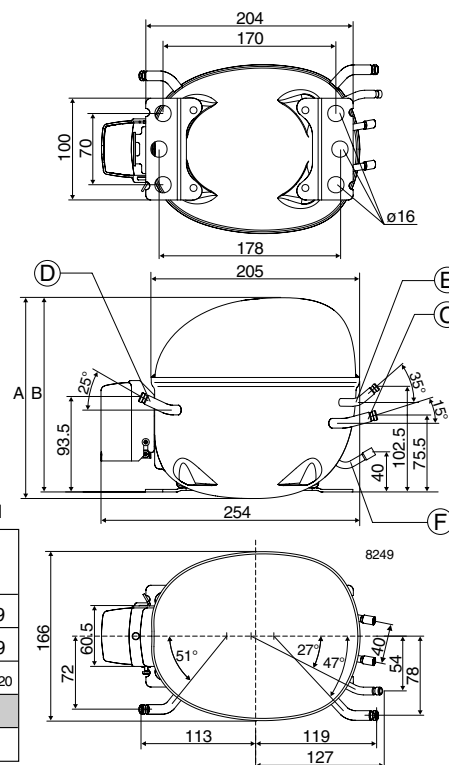
| | | |
|-------------------------------------|-----------------|-------|
| Displacement | cm ³ | 11.15 |
| Oil quantity | cm ³ | 320 |
| Maximum refrigerant charge | g | 400 |
| Free gas vol. in compressor | cm ³ | 2360 |
| Weight without electrical equipment | kg | 10.7 |

Motor

| | | |
|---|------|-----------------------------|
| Motor size | watt | 235 |
| LRA (rated after 4 sec. UL984) LST/HST | A | 9.2/10.4 |
| Cut-in current LST/HST | A | 13.6/10.4 |
| Resistance, main and start winding (25°C) | Ω | 8.2/14.7 |
| Approvals | | EN 60335-2-34 with Annex AA |

Dimensions

| | | 105G6910 | 105G6900 | 105G6901 |
|-------------------------|------------------|----------|-----------|-----------|
| Height | mm | A | 203 | |
| | | B | 197 | |
| Suction connector | location/I.D. mm | C | 8.2 ±0.09 | 8.2 ±0.09 |
| Process connector | location/I.D. mm | D | 6.2 ±0.09 | 6.2 ±0.09 |
| Discharge connector | location/I.D. mm | E | 6.2 ±0.09 | 6.2 ±0.09 |
| Oil cooler | location/I.D. mm | F | 6.2 ±0.09 | |
| Compressors on a pallet | pcs. | 80 | | |



Capacity (EN 12900/CECOMAF)
watt

| | | | | | | | |
|----------|-----|-----|-----|-------|-----|-----|-----|
| Comp.\°C | -35 | -30 | -25 | -23.3 | -20 | -15 | -10 |
| NL11F | 102 | 144 | 200 | 223 | 271 | 356 | 455 |

Capacity (ASHRAE)
watt

| | | | | | | | |
|----------|-----|-----|-----|-------|-----|-----|-----|
| Comp.\°C | -35 | -30 | -25 | -23.3 | -20 | -15 | -10 |
| NL11F | 125 | 177 | 246 | 274 | 334 | 438 | 561 |

Power consumption
watt

| | | | | | | | |
|----------|-----|-----|-----|-------|-----|-----|-----|
| Comp.\°C | -35 | -30 | -25 | -23.3 | -20 | -15 | -10 |
| NL11F | 146 | 178 | 212 | 224 | 248 | 286 | 325 |

Current consumption
A

| | | | | | | | |
|----------|------|------|------|-------|------|------|------|
| Comp.\°C | -35 | -30 | -25 | -23.3 | -20 | -15 | -10 |
| NL11F | 1.40 | 1.46 | 1.54 | 1.57 | 1.64 | 1.75 | 1.89 |

COP (EN 12900/CECOMAF)
W/W

| | | | | | | | |
|----------|------|------|------|-------|------|------|------|
| Comp.\°C | -35 | -30 | -25 | -23.3 | -20 | -15 | -10 |
| NL11F | 0.70 | 0.81 | 0.94 | 0.99 | 1.09 | 1.25 | 1.40 |

COP (ASHRAE)
W/W

| | | | | | | | |
|----------|------|------|------|-------|------|------|------|
| Comp.\°C | -35 | -30 | -25 | -23.3 | -20 | -15 | -10 |
| NL11F | 0.86 | 0.99 | 1.16 | 1.22 | 1.34 | 1.53 | 1.73 |

| | | |
|---|------------------|--------|
| Test conditions | EN 12900/CECOMAF | ASHRAE |
| Condensing temperature | 55°C | 55°C |
| Ambient and suction gas temp. | 32°C | 32°C |
| Liquid temperature | 55°C | 32°C |
| Static cooling, 220V 50Hz, PTC consumption incl. | | |

Accessories

| Devices | Fig. | NL11F |
|---|------|----------------------|
| PTC starting device 6.3 mm spades 4.8 mm spades | a1 | 103N0011 103N0018 |
| Starting relay | a2 | 117U6002 |
| Cover | b | 103N2010 |
| Starting capacitor 80 µF | c | 117U5015 |
| Cord relief | d | 103N1010 |
| Protection screen for PTC | g | 103N0476 |
| Mounting accessories | | |
| Bolt joint for one compressor | | 118-1917 |
| Bolt joint in quantities | | 118-1918 |
| Snap-on in quantities | | 118-1919 |

