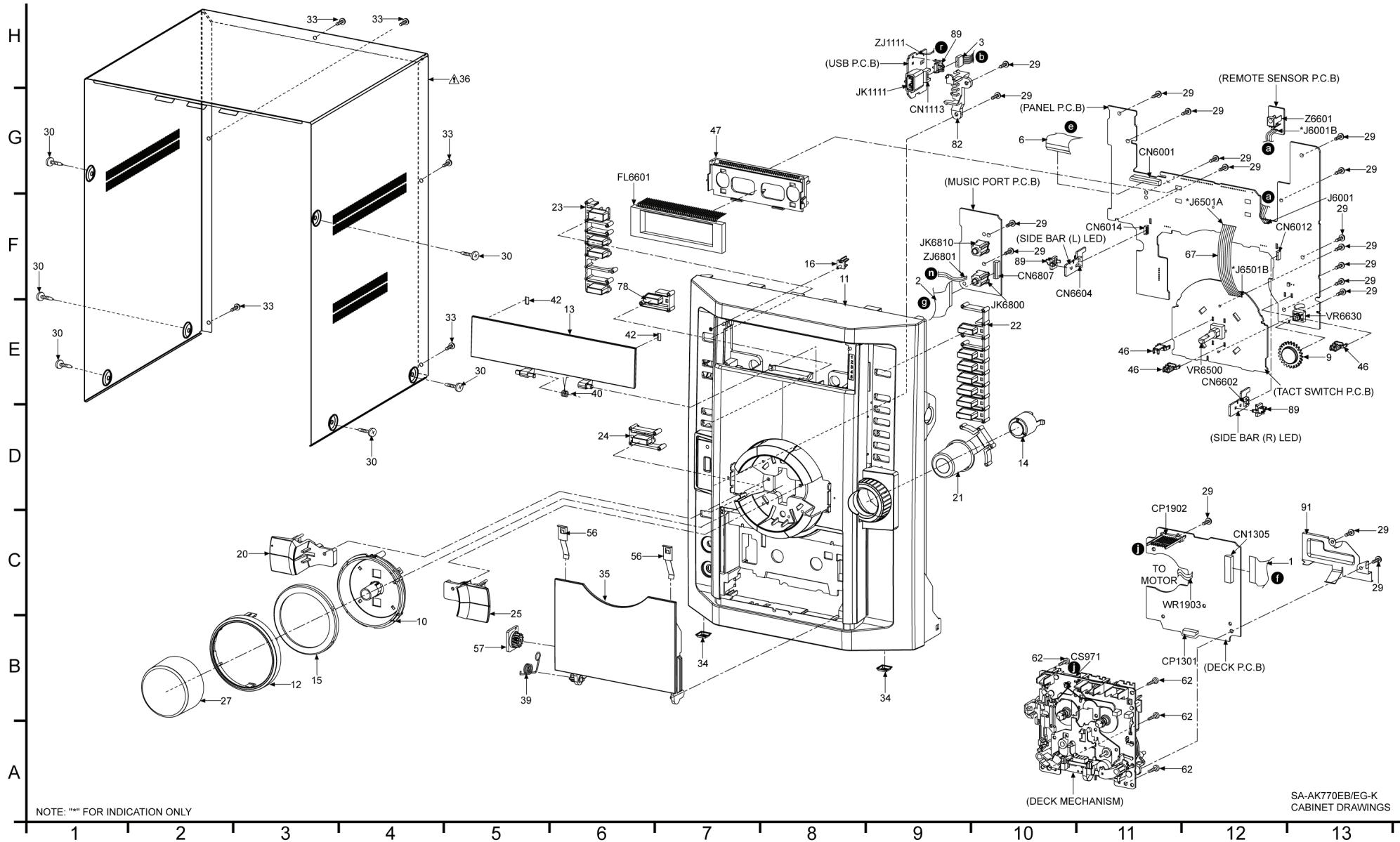
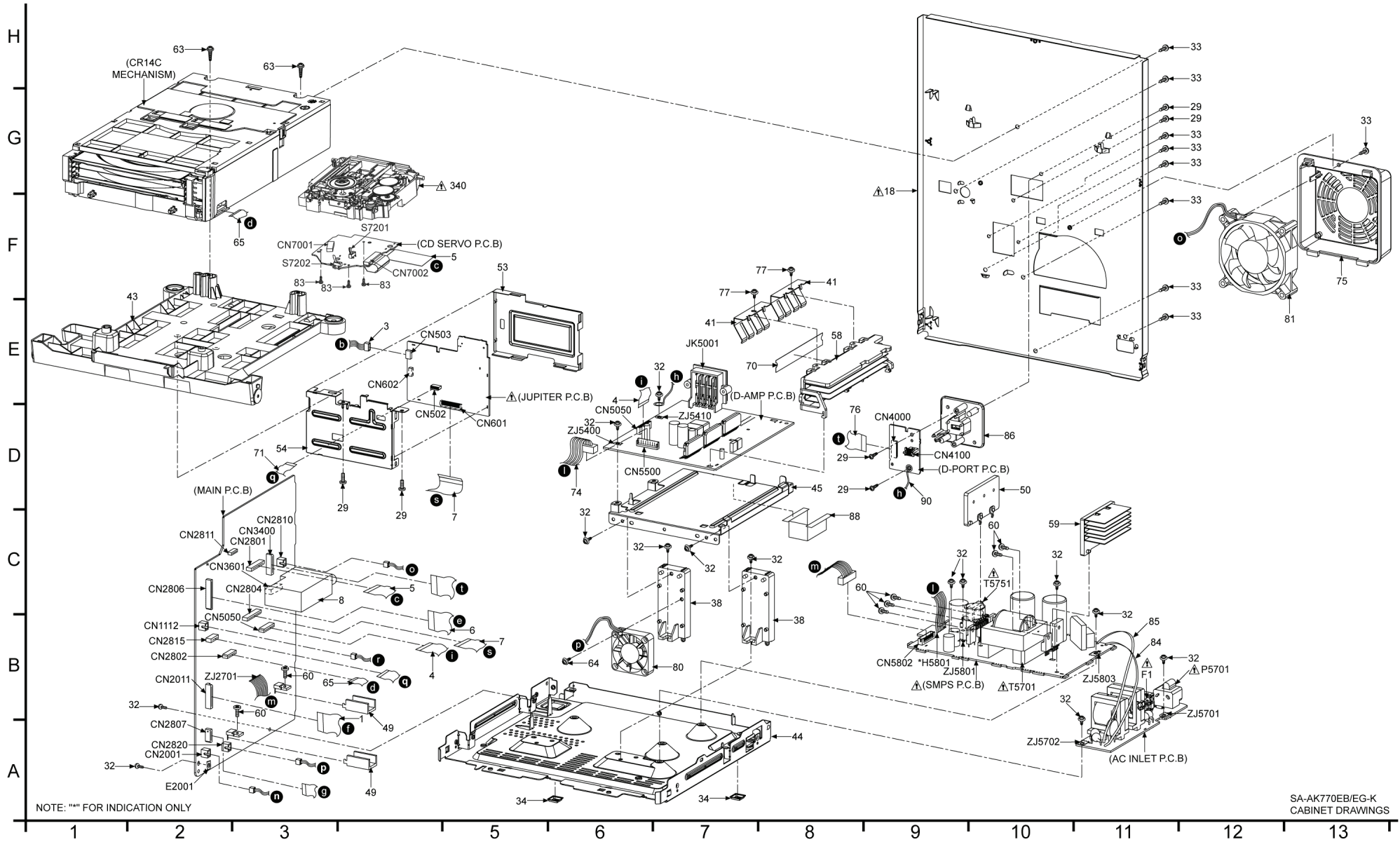


22 Exploded Views

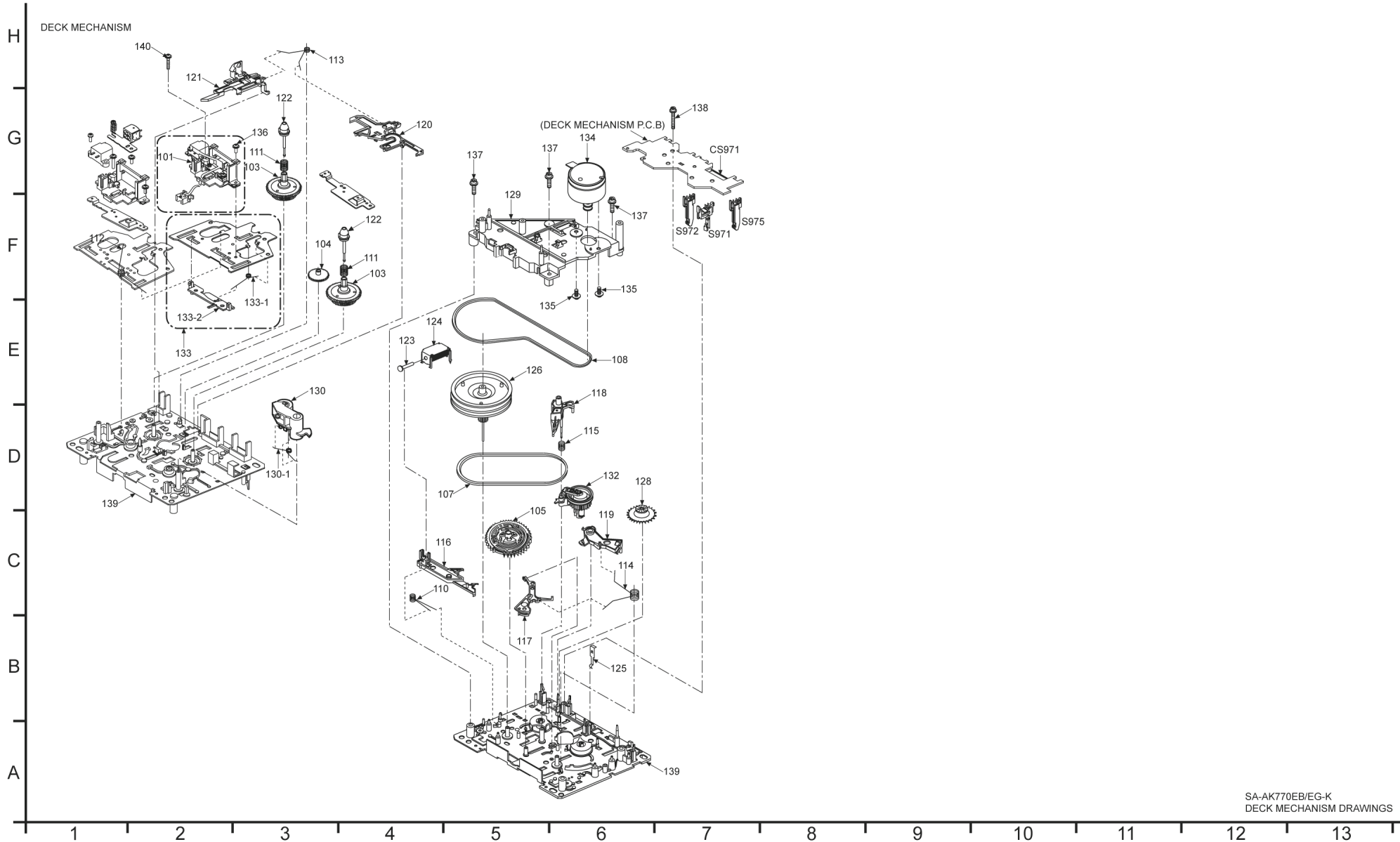
22.1. Cabinet Parts Location



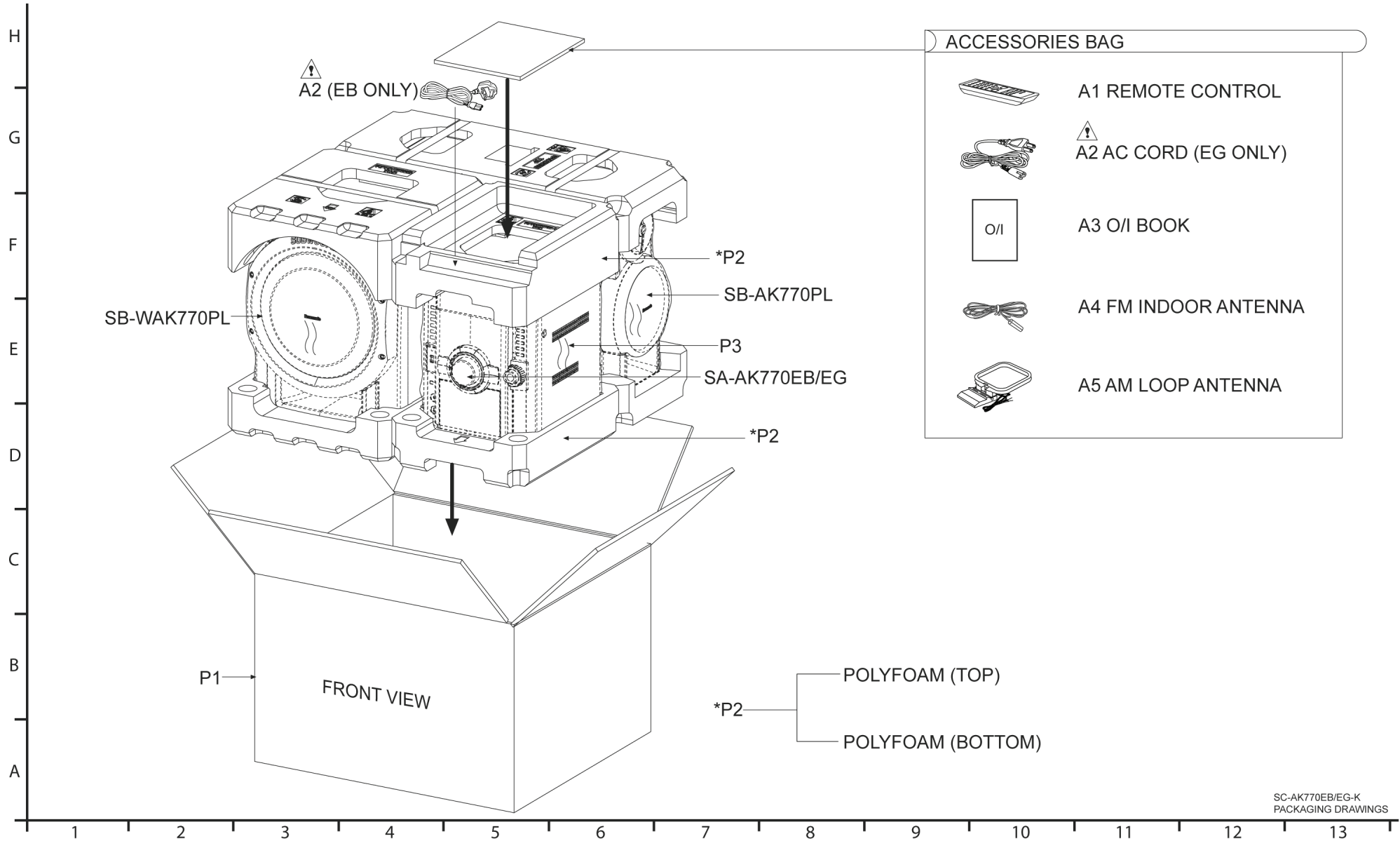


SA-AK770EB/EG-K
CABINET DRAWINGS

22.2. Deck Mechanism Parts Locations (RAA4407-S)



22.3. Packaging



23 Replacement Parts List

Notes:

- Important safety notice:

Components identified by Δ mark have special characteristics important for safety.

Furthermore, special parts which have purposes of fire-retardant (resistors), high-quality sound (capacitors), low noise (resistors), etc are used.

When replacing any of these components, be sure to use only manufacturer's specified parts shown in the parts list.

- The parenthesized indications in the Remarks columns specify the areas or colour. (Refer to the cover page for area or colour)
Parts without these indications can be used for all areas.
- Warning: This product uses a laser diode. Refer to caution statements on "Precaution of Laser Diode".
- Capacitor values are in microfarads (μF) unless specified otherwise, P= Pico-farads (pF), F= Farads.
- Resistance values are in ohms, unless specified otherwise, 1K=1,000 (OHM).
- The marking (RTL) indicates that the Retention Time is limited for this items. After the discontinuation of this assembly in production, the item will continue to be available for a specific period of time. The retention period of a availability is dependent on the type of assembly, and in accordance with the laws governing part and product retention. After the end of this period, the assembly will no longer be available.
- [M] Indicates in the Remarks columns indicates parts supplied by **PAVCSG**.
- Reference for O/I book languages are as follows:

Ar:	Arabic	Du:	Dutch	It:	Italian	Sp	Spanish
Cf:	Canadian French	En:	English	Ko:	Korean	Sw:	Swedish
Cz:	Czech	Fr:	French	Po:	Polish	Co:	Traditional Chinese
Da:	Danish	Ge:	German	Ru:	Russian	Cn:	Simplified Chinese
Pe:	Persian	Ur:	Ukraine	Pr:	Portuguese		

Ref. No.	Part No.	Part Name & Description	Remarks
		CABINET AND CHASSIS	
1	REEV0139	21P FFC CABLE (DECK-MAIN)	[M]
2	REEX0740	10P FFC CABLE	[M]
3	REXX0704	5P WIRE (RIPPING-USB)	[M]
4	REEX0881	17P FFC CABLE (MAIN-DAMP)	[M]
5	REEX0882	22P FFC CABLE (CD-MAIN)	[M]
6	REEX0883	27P FFC CABLE (MAIN-PANEL)	[M]
7	REEX0877	20P FFC CABLE (MAIN-RIPPING)	[M]
8	ENG07823QRF	TUNER PACK	[M]
9	RDGX0040	VOLUME GEAR	[M]
10	RGCX0010-R	LIGHT REFLECTOR	[M]
11	RFKGA770EBK	FRONT PANEL ASS'Y	[M]
12	RGKX0482-K	VOLUME ORNAMENT	[M]
13	RGKX0483-K1	CD LID	[M]
14	RGKX0488-R	DYNAMIC BASS ORNAMENT	[M]
15	RGLX0164-Q	VOLUME LIGHT PIECE	[M]
16	RGLX0167-Q	POWER LIGHT PIECE	[M]
18	RGRX0070H-A	REAR PANEL	[M] EG Δ
18	RGRX0070H-B	REAR PANEL	[M] EB Δ
20	RGUX0764A-K	FUNCTION BUTTON L	[M]
21	RGUX0765-1S	DYNAMIC BASS BUTTON	[M]
22	RGUX0766A-K	5CD CHANGE BUTTON	[M]
23	RGUX0767A-K	POWER CONTROL BUTTON	[M]
24	RGUX0768-K	CASSETTE EJECT BUTTON	[M]
25	RGUX0777-K	FUNCTION BUTTON R	[M]
27	RGWX0072-S	VOLUME KNOB	[M]
29	RHD26046-L	SCREW	[M]
30	RHD30007-K2J	SCREW	[M]
32	RHD30111-3	SCREW	[M]
33	RHD30119-S	SCREW	[M]
34	RKA0072-KJ	LEG CUSHION	[M]
35	RKFX0143-K1	CASSETTE LID	[M]
36	RKMX0144-K	TOP CABINET	[M] Δ
38	RMAX0333-2	CHASSIS SUPPORT	[M]
39	RMBV0042-2	CASSETTE LID SPRING	[M]
40	RMBX0086	CD LID OPEN SPRING	[M]
41	RMC0465	TR SPRING	[M]

Ref. No.	Part No.	Part Name & Description	Remarks
42	RMGX0033	CUSHION RUBBER	[M]
43	RMKX0151-1	CD CHASSIS	[M]
44	RMKX0148-2	BOTTOM CHASSIS	[M]
45	RMKX0149	INNER CHASSIS	[M]
46	RMNV0059	LED HOLDER	[M]
47	RMNV0079-1	FL HOLDER	[M]
49	RMV0285	HEAT SINK	[M]
50	RXX0105	HEATSINK UNIT C	[M]
53	RSCX0186	SD SHIELD (TOP)	[M]
54	RSCX0187	SD SHIELD (BOTTOM)	[M]
56	RUS757ZAA	CASSETTE HALF SPRING	[M]
57	RXGX0002	DAMPER GEAR	[M]
58	RXX0085-1J	HEATSINK UNIT A	[M]
59	RXXX0104	HEATSINK UNIT B	[M]
60	XTB3+10JFJ	SCREW	[M]
62	XTV3+10GFJ-M	SCREW	[M]
63	XTW3+12TFJ	SCREW	[M]
64	XTW3+18TFJ	SCREW	[M]
65	REEX0904	11P FFC CABLE (MAIN-CD)	[M]
67	RWJ1108055SS	8P WIRE (PANEL-TACT SW)	[M]
70	RMZX0039	IC INSULATOR	[M]
71	REEX0884	6P FFC CABLE (MAIN-RIPPING)	[M]
74	REXX0683	8P WIRE (SMPS-MAIN)	[M]
75	RMQX0318-K1	FAN COVER	[M]
76	REEX0880	14P FFC CABLE (MAIN-IPOINT)	[M]
77	XTW3+8TFJ	SCREW	[M]
78	RGUX0769-K	RIPPING BUTTON	[M]
80	L6FAYYYH0088	FAN UNIT	[M]
81	L6FALEFH0023	FAN UNIT	[M]
82	RMNX0287A	USB JACK HOLDER	[M]
83	XTN2+6GFJ	SCREW	[M]
84	REXX0684	RED WIRE	[M] Δ
85	REXX0685	BLACK WIRE	[M] Δ
86	RMNV0088B	I PORT HOLDER	[M]
88	RMVX0119	BARRIER COVER	[M]
89	RMNX0190	LED HOLDER	[M]
90	REZX0018-1	GROUND WIRE	[M]
91	RSCX0194	CASSETTE SHIELD PLATE	[M]
		CASSETTE DECK	

Ref. No.	Part No.	Part Name & Description	Remarks
101	REDX0001	R/P HEAD BLOCK SUB ASS'Y	[M]
103	RDG0300	REEL BASE GEAR	[M]
104	RDG0301	WINDING RELAY GEAR	[M]
105	RDK0026-4	MAIN GEAR	[M]
107	RDV0033-4	WINDING BELT	[M]
108	RDV0064-1	CAPSTAN BELT	[M]
110	RMB0312	TRIGGER LEVER SPRING	[M]
111	RMB0400	REEL SPRING	[M]
112	RMB0403	HEAD PANEL SPRING	[M]
113	RMB0404	BRAKE ROD SPRING	[M]
114	RMB0406-5	FR LEVER SPRING	[M]
115	RMB0408	THRUST SPRING	[M]
116	RML0370-4	TRIGGER LEVER	[M]
117	RML0371	FR LEVER	[M]
118	RML0372-2	WINDING LEVER	[M]
119	RML0374-2	EJECT LEVER	[M]
120	RMM0131-1	BRAKE ROD	[M]
121	RMM0133-1	EJECT ROD	[M]
122	RMQ0519	REEL HUB	[M]
123	RMS0398-1	MOVING CORE	[M]
124	RXQ0470-2	PLUNGER ASS'Y	[M]
125	RMC0061	PACK SPRING	[M]
126	RXF0061-1	FLYWHEEL F ASS'Y	[M]
128	RXG0040	FF RELAY GEAR ASS'Y	[M]
129	RMK0283A-2	SUB-CHASSIS	[M]
130	RXL0124	PINCH ROLLER F ASS'Y	[M]
130-1	RMB0401	PINCH ARM SPRING 'F'	[M]
132	RXL0126	WINDING ARM ASSY	[M]
133	RXQ0412-3	HEAD PANEL ASSY	[M]
133-1	RMB0405-1	FR ROD SPRING	[M]
133-2	RMM0132-1	FR ROD	[M]
134	REM0120	CAP MOTOR ASS'Y	[M]
135	RHD26022-1	MOTOR SCREW	[M]
136	XTW2+5LFFJ	HEAD BLOCK UNIT SCREW	[M]
137	XTW26+10SFJ	SUB-CHASSIS SCREW	[M]
138	XYC2+JF17FJ	PCB EARTH SCREW	[M]
139	RFKJSTR280PP	MECHA CHASSIS ASS'Y	[M]
140	XTW2+10LFFJ	SCREW	[M]
		TRAVERSE UNIT	
340	RAEX0190A-V	TRAVERSE UNIT (W/O CD SERVO P.C.B.)	[M] (RTL) △
		PACKING MATERIALS	
P1	RPGX1888	PACKING CASE	[M] EG
P1	RPGX1889	PACKING CASE	[M] EB
P2	RPNX0534	POLYFOAM	[M]
P3	RPFX0198	MIRAMAT SHEET	[M]
		ACCESSORIES	
A1	N2QAYB000279	REMOTE CONTROL	[M]
A1-1	RKK-NC9GCS	R/C BATTERY COVER	[M]
A2	K2CQ2CA00007	AC CORD	[M] EG △
A2	K2CT3CA00004	AC CORD	[M] EB △
A3	RQTV0283-E	O/I BOOK (Po/Cz/Sp)	[M] EG
A3	RQTV0284-D	O/I BOOK (Ge/It/Fr)	[M] EG
A3	RQTV0285-H	O/I BOOK (Du/Da/Sw)	[M] EG
A3	RQTV0286-B	O/I BOOK (En)	[M]
A4	RSA0007-L1	FM INDOOR ANTENNA	[M]
A5	N1DAAA00001	AM LOOP ANTENNA	[M]
		PRINTED CIRCUIT BOARDS	
PCB1	REPX0660B	JUPITER USB P.C.B.	[M] (RTL)
PCB2	REPX0636A	CD SERVO P.C.B.	[M] (RTL)

Ref. No.	Part No.	Part Name & Description	Remarks
PCB3	REPX0622F	SMPS P.C.B.	[M] (RTL) △
PCB4	REPX0638B	D-AMP P.C.B.	[M] (RTL)
PCB5	REPX0647A	DECK P.C.B.	[M] (RTL)
PCB6	REPX0673E	MAIN P.C.B.	[M] (RTL)
PCB7	REPX0649C	PANEL P.C.B.	[M] (RTL)
PCB8	REPX0321L	DECK MECHANISM P.C.B.	[M] (RTL)
PCB9	REPX0622F	AC INLET P.C.B.	[M] (RTL) △
PCB10	REPX0649C	REMOTE SENSOR P.C.B.	[M] (RTL)
PCB11	REPX0649C	MUSIC PORT P.C.B.	[M] (RTL)
PCB12	REPX0649C	TACT SWITCH P.C.B.	[M] (RTL)
PCB13	REPX0649C	SIDE BAR (L) LED P.C.B.	[M] (RTL)
PCB14	REPX0649C	SIDE BAR (R) LED P.C.B.	[M] (RTL)
PCB15	REPX0673E	USB CONNECTOR/LED P.C.B.	[M] (RTL)
PCB16	REPX0651A	D-PORT (OPTION PORT) P.C.B.	[M] (RTL)
		INTERGRATED CIRCUITS	
IC502	C0DBZY00002	IC POWER SUPPLY	[M]
IC551	C0FBAK000026	IC ADC	[M]
IC552	C0FBBY000027	IC DAC	[M]
IC701	RFKW0660B	IC FLASH ROM	[M]
IC751	C3ABPG000160	IC DRAM	[M]
IC801	MN2WS0042AA	IC LSI	[M]
IC802	C0DBZY00293	IC POWER SUPPLY	[M]
IC971	CNB13030R2AU	IC PHOTO INTERRUPTOR	[M]
IC1000	C1AA00000612	IC ANALOG SWITCH	[M]
IC1001	AN7326K	IC DECK R/P	[M]
IC2701	C0DAAMH00012	IC DC-DC CONVERTER	[M]
IC2723	C0CBCDG00003	IC REGULATOR	[M]
IC2741	C0DBCY000005	IC REGULATOR	[M]
IC2761	C0CAAKG000046	IC VOLTAGE REGULATOR	[M]
IC2801	RFKWK570PLK	IC MICROPROCESSOR	[M]
IC2803	C1AB00002885	IC ASP	[M]
IC2804	C0AABB000125	IC OP AMP	[M]
IC2810	C0ABBB000230	IC SMT OP-AMP	[M]
IC2901	C1AB00002751	IC RDS	[M]
IC5000	C1BA00000487	IC AUDIO DIGITAL POWER AMP	[M]
IC5200	C1BA00000487	IC AUDIO DIGITAL POWER AMP	[M]
IC5400	C1BA00000487	IC AUDIO DIGITAL POWER AMP	[M]
IC5500	C0JBAB000902	IC INVERTER GATE (CLOCK GENERATOR)	[M]
IC5501	C0JBAF000716	IC D-TYPE FLIP FLOP	[M]
IC5701	C5HACY000003	IC SWITCHING REGULATOR	[M]
IC5799	MIP4110MSSCF	IC SWITCHING REGULATOR	[M]
IC5801	C0DABFC00002	IC SHUNT REGULATOR	[M]
IC5899	C0DAEMZ00001	IC SHUNT REGULATOR	[M]
IC6601	C0HBB0000057	IC FL DRIVER	[M]
IC7001	MN6627954MA	IC SERVO PROCESSOR/ DIGITAL SIGNAL PROCESSOR/ DIGITAL FILTER D/A CONVERTER	[M]
IC7002	BA5948FPE2	IC 4 CH DRIVE	[M]
		TRANSISTORS	
Q1303	B1GBCFGH0001	TRANSISTOR	[M]
Q1304	B1GDCFGH0002	TRANSISTOR	[M]
Q1309	B1AAGC000006	TRANSISTOR	[M]
Q1310	B1AAGC000006	TRANSISTOR	[M]
Q1312	B1ABCF000011	TRANSISTOR	[M]
Q1314	B1GDCFGH0002	TRANSISTOR	[M]
Q1315	B1ACKD000006	TRANSISTOR	[M]

Ref. No.	Part No.	Part Name & Description	Remarks
Q1316	2SD09650RA	TRANSISTOR	[M]
Q1317	B1ABGC000005	TRANSISTOR	[M]
Q2011	B1GBCFJJ0051	TRANSISTOR	[M]
Q2012	B1GBCFJJ0051	TRANSISTOR	[M]
Q2311	B1ABGC000005	TRANSISTOR	[M]
Q2312	B1ABGC000005	TRANSISTOR	[M]
Q2317	B1ABGC000005	TRANSISTOR	[M]
Q2359	B1ABGC000005	TRANSISTOR	[M]
Q2360	B1ABGC000005	TRANSISTOR	[M]
Q2371	B1ABCF000176	TRANSISTOR	[M]
Q2372	B1ABCF000176	TRANSISTOR	[M]
Q2373	B1ABCF000176	TRANSISTOR	[M]
Q2374	B1GDCFJJ0047	TRANSISTOR	[M]
Q2375	B1GDCFJJ0047	TRANSISTOR	[M]
Q2417	B1ABGC000005	TRANSISTOR	[M]
Q2501	B1ABCF000176	TRANSISTOR	[M]
Q2521	B1GBCFJJ0051	TRANSISTOR	[M]
Q2522	B1GBCFJJ0051	TRANSISTOR	[M]
Q2523	B1GBCFJJ0051	TRANSISTOR	[M]
Q2524	B1GBCFJJ0051	TRANSISTOR	[M]
Q2708	B1ADCE000012	TRANSISTOR	[M]
Q2711	B1BACG000023	TRANSISTOR	[M]
Q2735	B1BACD000018	TRANSISTOR	[M]
Q2743	B1ACKD000006	TRANSISTOR	[M]
Q2745	B1GBCFL0037	TRANSISTOR	[M]
Q2751	B1BACG000023	TRANSISTOR	[M]
Q2761	B1BCCG000002	TRANSISTOR	[M]
Q2771	B1GBCFJJ0051	TRANSISTOR	[M]
Q2772	B1GBCFJJ0051	TRANSISTOR	[M]
Q2800	B1GBCFJJ0051	TRANSISTOR	[M]
Q2812	B1GBCFL0037	TRANSISTOR	[M]
Q2900	B1BARK000001	TRANSISTOR	[M]
Q2942	B1ACKD000006	TRANSISTOR	[M]
Q2943	B1ABCF000176	TRANSISTOR	[M]
Q2947	B1ABCF000176	TRANSISTOR	[M]
Q2948	B1ABCF000176	TRANSISTOR	[M]
Q2949	B1ABCF000176	TRANSISTOR	[M]
Q2961	B1ACKD000006	TRANSISTOR	[M]
Q2962	B1ABCF000176	TRANSISTOR	[M]
Q2967	B1ABCF000176	TRANSISTOR	[M]
Q2970	B1ADCE000012	TRANSISTOR	[M]
Q3400	B1ADCE000012	TRANSISTOR	[M]
Q3401	B1ABEB000002	TRANSISTOR	[M]
Q3450	B1ADCE000012	TRANSISTOR	[M]
Q5101	B1ABCF000176	TRANSISTOR	[M]
Q5102	B1ABCF000176	TRANSISTOR	[M]
Q5601	B1ABCF000176	TRANSISTOR	[M]
Q5603	B1ADCE000012	TRANSISTOR	[M]
Q5604	B1ABCF000176	TRANSISTOR	[M]
Q5720	2SC3940ARA	TRANSISTOR	[M]
Q5721	2SA207700L	TRANSISTOR	[M]
Q5722	B1ABCF000176	TRANSISTOR	[M]
Q5802	B1ABCF000176	TRANSISTOR	[M]
Q5803	2SC3940ARA	TRANSISTOR	[M]
Q5860	2SA207700L	TRANSISTOR	[M]
Q5861	B1ABCF000176	TRANSISTOR	[M]
Q5862	B1ABCF000176	TRANSISTOR	[M]
Q5898	B1ABCF000176	TRANSISTOR	[M]
Q6511	B1GBCFJN0033	TRANSISTOR	[M]
Q6600	B1GBCFJN0033	TRANSISTOR	[M]
Q6641	B1GBCFJN0033	TRANSISTOR	[M]
Q7601	B1ADCF000001	TRANSISTOR	[M]
QR111	B1GBCFJJ0051	TRANSISTOR	[M]
QR2317	B1GDCFJN0018	TRANSISTOR	[M]
QR5801	UNR221400L	TRANSISTOR	[M]
QR5802	B1GDCFJN0018	TRANSISTOR	[M]
QR5810	B1GBCFL0037	TRANSISTOR	[M]
		DIODES	
D801	MA27D2900L	DIODE	[M]
D802	B0JCMD000022	DIODE	[M]
D971	MA2C16500E	DIODE	[M]
D1111	B3AAA0001014	DIODE	[M]

Ref. No.	Part No.	Part Name & Description	Remarks
D1301	B0ACCK000005	DIODE	[M]
D2371	MA2J11100L	DIODE	[M]
D2372	MA2J11100L	DIODE	[M]
D2503	B0ADCC000002	DIODE	[M]
D2611	B0ACCK000005	DIODE	[M]
D2707	B0EAKM000117	DIODE	[M]
D2708	B0EAKM000117	DIODE	[M]
D2711	B0BC4R0A0006	DIODE	[M]
D2731	B0EAKM000117	DIODE	[M]
D2732	B0EAKM000117	DIODE	[M]
D2733	B0BC9R000008	DIODE	[M]
D2734	B0EAKM000117	DIODE	[M]
D2735	B0EAKM000117	DIODE	[M]
D2753	MAZ810000L	DIODE	[M]
D2774	B0ADCJ000020	DIODE	[M]
D2812	B0ACCK000005	DIODE	[M]
D2813	B0ACCK000005	DIODE	[M]
D2867	B0EAKM000117	DIODE	[M]
D2869	B0EAKM000117	DIODE	[M]
D2901	B0BC035A0007	DIODE	[M]
D2903	B0EAMM000057	DIODE	[M]
D2906	B0JAME000114	DIODE	[M]
D2908	B0EAMM000057	DIODE	[M]
D2909	MAZ82400HL	DIODE	[M]
D2930	B0EAKM000117	DIODE	[M]
D2940	MA2J11100L	DIODE	[M]
D2946	B0ADCJ000020	DIODE	[M]
D2947	B0BC5R600003	DIODE	[M]
D2948	B0BC5R600003	DIODE	[M]
D2968	B0ADCJ000020	DIODE	[M]
D5001	B0HCMM000019	DIODE	[M]
D5002	B0HCMM000019	DIODE	[M]
D5003	B0HCMM000019	DIODE	[M]
D5004	B0HCMM000019	DIODE	[M]
D5201	B0HCMM000019	DIODE	[M]
D5202	B0HCMM000019	DIODE	[M]
D5203	B0HCMM000019	DIODE	[M]
D5204	B0HCMM000019	DIODE	[M]
D5401	B0HCMM000019	DIODE	[M]
D5402	B0HCMM000019	DIODE	[M]
D5403	B0HCMM000019	DIODE	[M]
D5404	B0HCMM000019	DIODE	[M]
D5501	MA2J11100L	DIODE	[M]
D5502	MA2J11100L	DIODE	[M]
D5503	MAZ80510ML	DIODE	[M]
D5701	B0FBAK000041	DIODE	[M]
D5702	B0ZAZ0000052	DIODE	[M]
D5721	MAZ81800ML	DIODE	[M]
D5722	B0BC019A0007	DIODE	[M]
D5723	MA2J11100L	DIODE	[M]
D5724	MA2J11100L	DIODE	[M]
D5725	B0BC6R100010	DIODE	[M]
D5726	B0EAKM000117	DIODE	[M]
D5727	MA2J11100L	DIODE	[M]
D5728	MA2J11100L	DIODE	[M]
D5729	B0EAMM000057	DIODE	[M]
D5730	MA2J11100L	DIODE	[M]
D5732	B0BC035A0007	DIODE	[M]
D5733	B0HCMM000019	DIODE	[M]
D5793	B0HAMP000094	DIODE	[M]
D5797	MA2J72800L	DIODE	[M]
D5798	B0HAMP000094	DIODE	[M]
D5801	B0HBSM000043	DIODE	[M]
D5802	B0HBSM000043	DIODE	[M]
D5803	B0HFRJ000012	DIODE	[M]
D5804	B0EAMM000057	DIODE	[M]
D5805	B0EAMM000057	DIODE	[M]
D5806	MAZ80750ML	DIODE	[M]
D5807	MA2J11100L	DIODE	[M]
D5809	MA2J11100L	DIODE	[M]
D5896	B0EAMM000057	DIODE	[M]
D6458	B3AAA0000489	DIODE	[M]
D6511	B3AAA0001014	DIODE	[M]
D6512	B3AAA0001014	DIODE	[M]

Ref. No.	Part No.	Part Name & Description	Remarks
D6602	B3AAA0001014	DIODE	[M]
D6604	B3AAA0001014	DIODE	[M]
D6641	B3AAA0001014	DIODE	[M]
D6672	B0BC2R4A0006	DIODE	[M]
D7650	MAZ80560ML	DIODE	[M]
DZ2702	B0JCPD000025	DIODE	[M]
DZ5701	ERZV10V511CS	ZENER	[M] △
		VARISTORS	
VA1110	EZJZ1V171AA	VARISTOR	[M]
VA1120	EZJZ1V171AA	VARISTOR	[M]
		VARIABLE RESISTORS	
VR6500	EVEKE2F3524B	VOLUME JOG	[M]
VR6630	K9AA024A0008	VR BASS CONTROL JOG	[M]
		SWITCHES	
S971	K0J1BB000017	SW MODE	[M]
S972	K0J1BB000021	SW HALF	[M]
S975	K0J1BB000021	SW RECINH_F	[M]
S6100	EVQ21405RJ	SW POWER	[M]
S6101	EVQ21405RJ	SW DISPLAY	[M]
S6102	EVQ21405RJ	SW SUBWOOFER	[M]
S6106	EVQ21405RJ	SW TAPE/REC	[M]
S6107	EVQ21405RJ	SW USB/REC	[M]
S6108	EVQ21405RJ	SW D.BASS	[M]
S6201	EVQ21405RJ	SW OPEN/CLOSE	[M]
S6202	EVQ21405RJ	SW EXCHANGE	[M]
S6203	EVQ21405RJ	SW CD1	[M]
S6204	EVQ21405RJ	SW CD2	[M]
S6205	EVQ21405RJ	SW CD3	[M]
S6206	EVQ21405RJ	SW CD4	[M]
S6207	EVQ21405RJ	SW CD5	[M]
S6208	EVQ21405RJ	SW STOP/DEMO	[M]
S6300	EVQ21405RJ	SW FWD	[M]
S6301	EVQ21405RJ	SW MANUAL EQ	[M]
S6302	EVQ21405RJ	SW REW	[M]
S6303	EVQ21405RJ	SW TAPE	[M]
S6304	EVQ21405RJ	SW FM/AM/MUSIC PORT	[M]
S6306	EVQ21405RJ	SW CD	[M]
S6307	EVQ21405RJ	SW USB	[M]
S6308	EVQ21405RJ	SW OPTION	[M]
S6820	EVQ21405RJ	SW EJECT	[M]
S7201	K0L1BA000133	SW REST	[M]
S7202	K0L1BA000133	SW CD OPEN	[M]
		CONNECTORS	
CN502	K1MN06AA0076	6P CONNECTOR	[M]
CN503	K1KA05BA0014	5P CONNECTOR (USB)	[M]
CN601	K1MY20BA0046	20P CONNECTOR	[M]
CN602	K1MY10AA0021	10P CONNECTOR	[M]
CN1112	K1KA02AA0186	2P CONNECTOR	[M]
CN1113	K1KA05BA0061	5P CONNECTOR	[M]
CN1305	K1MN21B00010	21P FFC CONNECTOR	[M]
CN2001	K1KA02AA0186	2P CONNECTOR	[M]
CN2011	K1MY21AA0124	21P CONNECTOR	[M]
CN2801	K1MN22AA0004	CD CONNECTOR	[M]
CN2802	K1MN11AA0003	11P CONNECTOR	[M]
CN2804	K1MN20AA0004	20P CONNECTOR	[M]
CN2806	K1MY27AA0124	27P FFC CONNECTOR	[M]
CN2807	K1MN10AA0003	10P FFC CONNECTOR	[M]
CN2810	K1KA02AA0186	2P CONNECTOR	[M]
CN2811	K1KC05A00001	5P CONNECTOR	[M]
CN2815	K1MN06AA0003	6P CONNECTOR	[M]
CN2820	K1KA02AA0186	2P CONNECTOR	[M]
CN3400	K1MN14AA0003	14P CONNECTOR	[M]
CN4000	K1MN14BA0147	14P CONNECTOR	[M]
CN4100	K1FY124DA001	24P CONNECTOR	[M]
CN5050	K1MN17AA0004	17P CONNECTOR	[M]
CN5500	K1KA08AA0180	8P CONNECTOR	[M]

Ref. No.	Part No.	Part Name & Description	Remarks
CN5802	K1KA11AA0194	11P CONNECTOR	[M]
CN6001	K1MY27AA0124	27P CONNECTOR	[M]
CN6012	K1KA04AA0031	4P CONNECTOR	[M]
CN6014	K1KA04AA0031	4P CONNECTOR	[M]
CN6602	K1KB04A00046	4P CONNECTOR	[M]
CN6604	K1KB04A00046	4P CONNECTOR	[M]
CN6807	K1MN10AA0003	10P CONNECTOR	[M]
CN7001	K1MN16B00154	16P FFC CONNECTOR	[M]
CN7002	K1MN22BA0005	22P CONNECTOR	[M]
CP1301	K1MY05AA0043	5P CONNECTOR	[M]
CP1902	K1KA09BA0153	9P CONNECTOR	[M]
CS971	RJU071H09M1	9P CONNECTOR	[M]
JK1111	K1FY104B0011	USB CONNECTOR	[M]
		COILS & INDUCTORS	
L551	G1C100KA0101	INDUCTOR	[M]
L552	G1C100KA0101	INDUCTOR	[M]
L553	G1C100KA0101	INDUCTOR	[M]
L804	G1C100KA0101	INDUCTOR	[M]
L805	G1C100KA0101	INDUCTOR	[M]
L1100	G1BYYYB00009	COMMON MODE CHOKE COIL	[M]
L1301	G2ZZ00000024	BIAS OSC COIL	[M]
L1302	G0C470JA0052	INDUCTOR	[M]
L2051	G0C101JA0052	INDUCTOR	[M]
L2055	G0C101JA0052	INDUCTOR	[M]
L2702	G0A101ZA0028	CHOKE COIL	[M]
L2901	G0C101JA0052	INDUCTOR	[M]
L2902	G0C101JA0052	INDUCTOR	[M]
L2910	G0A220GA0026	CHOKE COIL	[M]
L5000	G0A150L00003	CHOKE COIL	[M]
L5001	G0B9R5K00003	LINE FILTER	[M] △
L5002	G0B9R5K00003	LINE FILTER	[M] △
L5200	G0A150L00003	CHOKE COIL	[M]
L5201	G0B9R5K00003	LINE FILTER	[M]
L5400	G0A150L00003	CHOKE COIL	[M]
L5500	J0JKB0000020	INDUCTOR	[M]
L5501	J0JKB0000020	INDUCTOR	[M]
L5701	ELF15N035AN	LINE FILTER	[M] △
L5703	ELF22V020A	LINE FILTER	[M] △
L6671	J0JBC0000019	INDUCTOR	[M]
L6801	J0JBC0000019	INDUCTOR	[M]
L6802	J0JBC0000019	INDUCTOR	[M]
L6811	J0JBC0000019	INDUCTOR	[M]
L6812	J0JBC0000019	INDUCTOR	[M]
L6851	J0JBC0000019	INDUCTOR	[M]
L6863	J0JBC0000019	INDUCTOR	[M]
LB503	J0JBC0000118	INDUCTOR	[M]
LB504	J0JBC0000118	INDUCTOR	[M]
LB601	J0JAC0000021	INDUCTOR	[M]
LB602	J0JHC0000045	INDUCTOR	[M]
LB603	J0JAC0000021	INDUCTOR	[M]
LB605	J0JAC0000021	INDUCTOR	[M]
LB614	J0JHC0000045	INDUCTOR	[M]
LB615	J0JAC0000021	INDUCTOR	[M]
LB616	J0JHC0000045	INDUCTOR	[M]
LB618	J0JAC0000021	INDUCTOR	[M]
LB619	J0JHC0000045	INDUCTOR	[M]
LB620	J0JAC0000021	INDUCTOR	[M]
LB621	J0JAC0000021	INDUCTOR	[M]
LB622	J0JAC0000021	INDUCTOR	[M]
LB623	J0JHC0000045	INDUCTOR	[M]
LB624	J0JAC0000021	INDUCTOR	[M]
LB625	J0JBC0000019	INDUCTOR	[M]
LB626	J0JAC0000021	INDUCTOR	[M]
LB628	J0JAC0000021	INDUCTOR	[M]
LB629	J0JBC0000019	INDUCTOR	[M]
LB630	J0JAC0000021	INDUCTOR	[M]
LB801	J0JAC0000024	INDUCTOR	[M]
LB802	J0JAC0000024	INDUCTOR	[M]
LB1200	J0JHC0000034	INDUCTOR	[M]
LB1210	J0JHC0000034	INDUCTOR	[M]
		TRANSFORMERS	

Ref. No.	Part No.	Part Name & Description	Remarks
T2900	G4D1A0000117	SWITCHING TRANSFORMER	[M] △
T5701	ETS48AB116AC	TRANSFORMER	[M] △
T5751	ETS19AB256AG	BACKUP SW TRANSFORMER	[M] △
		COMPONENT COMBINATION	
Z6601	B3RAD0000146	REMOTE CONTROL SENSOR	[M]
ZJ5400	K4CZ01000027	TERMINAL	[M]
ZJ5410	K4CZ01000027	TERMINAL	[M]
ZJ5701	K4CZ01000027	TERMINAL	[M]
ZJ5702	K4CZ01000027	TERMINAL	[M]
ZJ5801	K4CZ01000027	TERMINAL	[M]
ZJ5803	K4CZ01000027	TERMINAL	[M]
ZA5701	K3GE1ZZ00001	FUSE HOLDER	[M]
ZA5702	K3GE1ZZ00001	FUSE HOLDER	[M]
		PHOTO COUPLERS	
PC5701	B3PBA0000402	PHOTO COUPLER	[M] △
PC5702	B3PBA0000402	PHOTO COUPLER	[M] △
PC5720	B3PBA0000402	PHOTO COUPLER	[M] △
PC5799	B3PBA0000402	PHOTO COUPLER	[M] △
		OSCILLATORS	
X801	H0J169500031	CRYSTAL OSCILLATOR	[M]
X802	H0J120500057	CRYSTAL OSCILLATOR	[M]
X2602	H2B100500004	CRYSTAL OSCILLATOR	[M]
X2611	H0A327200115	CRYSTAL OSCILLATOR	[M]
X2901	H0H433400002	CRYSTAL OSCILLATOR	[M]
X5500	H2A6023A0011	CRYSTAL OSCILLATOR	[M]
X5501	H2A7003A0011	CRYSTAL OSCILLATOR	[M]
X7201	H0H169500013	CRYSTAL OSCILLATOR	[M]
		FL DISPLAY	
FL6601	A2BB00000171	LCD DISPLAY	[M]
		FUSE	
F1	K5D502BNA005	FUSE	[M] △
		FUSE PROTECTOR	
FP2901	K5G4013A0001	FUSE PROTECTOR	[M] △
		THERMISTORS	
TH5701	D4CAC8R00002	THERMISTOR	[M] △
TH5860	D4CC11040013	THERMISTOR	[M] △
		JACKS	
JK5001	K4AL06B00001	JK	[M]
JK6800	K2HC103A0031	JK HEADPHONE	[M]
JK6810	K2HC11YA0002	JK MUSIC PORT	[M]
P5701	K2AA2B000017	AC INLET	[M] △
		EARTH TERMINAL	
E2001	K9ZZ00001279	EARTH PLATE	[M]
		CHIP JUMPERS	
K6	ERJ3GEY0R00V	0 1/10W	[M]
K2005	D0GBR00JA008	0 1/16W	[M]
K2421	D0GBR00JA008	0 1/16W	[M]
K2422	D0GBR00JA008	0 1/16W	[M]
K3100	D0GBR00JA008	0 1/16W	[M]
K3200	D0GBR00JA008	0 1/16W	[M]
K3701	D0GBR00JA008	0 1/16W	[M]
K3702	D0GBR00JA008	0 1/16W	[M]
K4000	D0GDR00JA017	0 1/10W	[M]

Ref. No.	Part No.	Part Name & Description	Remarks
K5202	ERJ3GEY0R00V	0 1/10W	[M]
K5251	ERJ3GEY0R00V	0 1/10W	[M]
K5252	ERJ3GEY0R00V	0 1/10W	[M]
K5302	ERJ3GEY0R00V	0 1/10W	[M]
K5502	ERJ3GEY0R00V	0 1/10W	[M]
L501	ERJ6GEY0R00V	0 1/8W	[M]
LB501	ERJ2GE0R00X	0 1/16W	[M]
LB502	ERJ2GE0R00X	0 1/16W	[M]
LB7262	D0GBR00JA008	0 1/16W	[M]
LB7263	D0GBR00JA008	0 1/16W	[M]
LB7264	D0GBR00JA008	0 1/16W	[M]
W1	D0GBR00JA008	0 1/16W	[M]
W2700	D0GBR00JA008	0 1/16W	[M]
W2702	D0GBR00JA008	0 1/16W	[M]
W2703	D0GDR00JA017	0 1/10W	[M]
W2704	D0GDR00JA017	0 1/10W	[M]
W2705	D0GDR00JA017	0 1/10W	[M]
W2706	D0GBR00JA008	0 1/16W	[M]
W2707	D0GBR00JA008	0 1/16W	[M]
W2708	D0GBR00JA008	0 1/16W	[M]
W2709	D0GBR00JA008	0 1/16W	[M]
W2710	D0GBR00JA008	0 1/16W	[M]
W2711	D0GDR00JA017	0 1/10W	[M]
W2712	D0GDR00JA017	0 1/10W	[M]
W2713	ERJ8GEY0R00V	0 1/4W	[M]
W2714	D0GDR00JA017	0 1/10W	[M]
W2715	ERJ8GEY0R00V	0 1/4W	[M]
W2717	D0GDR00JA017	0 1/10W	[M]
W2718	ERJ8GEY0R00V	0 1/4W	[M]
W2719	D0GDR00JA017	0 1/10W	[M]
W2720	D0GBR00JA008	0 1/16W	[M]
W2721	D0GBR00JA008	0 1/16W	[M]
W2722	D0GDR00JA017	0 1/10W	[M]
W2723	D0GDR00JA017	0 1/10W	[M]
W2724	D0GBR00JA008	0 1/16W	[M]
W2726	D0GDR00JA017	0 1/10W	[M]
W2728	D0GDR00JA017	0 1/10W	[M]
W2729	D0GBR00JA008	0 1/16W	[M]
W2730	ERJ8GEY0R00V	0 1/4W	[M]
W2731	ERJ8GEY0R00V	0 1/4W	[M]
W2732	ERJ8GEY0R00V	0 1/4W	[M]
W2733	D0GDR00JA017	0 1/10W	[M]
W2734	D0GBR00JA008	0 1/16W	[M]
W2735	D0GDR00JA017	0 1/10W	[M]
W2736	D0GDR00JA017	0 1/10W	[M]
W2737	D0GBR00JA008	0 1/16W	[M]
W2738	D0GDR00JA017	0 1/10W	[M]
W2739	D0GBR00JA008	0 1/16W	[M]
W2740	D0GBR00JA008	0 1/16W	[M]
W2741	D0GBR00JA008	0 1/16W	[M]
W2742	ERJ8GEY0R00V	0 1/4W	[M]
W2743	ERJ8GEY0R00V	0 1/4W	[M]
W2744	D0GDR00JA017	0 1/10W	[M]
W2745	D0GDR00JA017	0 1/10W	[M]
W2746	D0GDR00JA017	0 1/10W	[M]
W2747	D0GBR00JA008	0 1/16W	[M]
W2748	D0GDR00JA017	0 1/10W	[M]
W2749	D0GBR00JA008	0 1/16W	[M]
W2750	D0GDR00JA017	0 1/10W	[M]
W2751	D0GBR00JA008	0 1/16W	[M]
W2752	D0GBR00JA008	0 1/16W	[M]
W2753	D0GDR00JA017	0 1/10W	[M]
W2754	D0GBR00JA008	0 1/16W	[M]
W2755	D0GBR00JA008	0 1/16W	[M]
W4000	D0GBR00JA008	0 1/16W	[M]
W4001	D0GDR00JA017	0 1/10W	[M]
W4002	ERJ8GEY0R00V	0 1/4W	[M]
W4003	ERJ8GEY0R00V	0 1/4W	[M]
W4004	D0GBR00JA008	0 1/16W	[M]
W4005	D0GDR00JA017	0 1/10W	[M]
W4006	ERJ8GEY0R00V	0 1/4W	[M]
W4007	D0GBR00JA008	0 1/16W	[M]
W4008	ERJ8GEY0R00V	0 1/4W	[M]
W4009	ERJ8GEY0R00V	0 1/4W	[M]

Ref. No.	Part No.	Part Name & Description	Remarks
W4010	D0GDR00JA017	0 1/10W	[M]
W4011	D0GDR00JA017	0 1/10W	[M]
W5007	ERJ6GEY0R00V	0 1/8W	[M]
W5032	ERJ8GEY0R00V	0 1/4W	[M]
W5059	ERJ6GEY0R00V	0 1/8W	[M]
W5071	ERJ3GEY0R00V	0 1/10W	[M]
W5780	ERJ6GEY0R00V	0 1/8W	[M]
W5801	ERJ3GEY0R00V	0 1/10W	[M]
W5803	ERJ6GEY0R00V	0 1/8W	[M]
W5804	ERJ3GEY0R00V	0 1/10W	[M]
W5805	ERJ6GEY0R00V	0 1/8W	[M]
W5806	ERJ6GEY0R00V	0 1/8W	[M]
W5807	ERJ6GEY0R00V	0 1/8W	[M]
W6541	D0GDR00JA017	0 1/10W	[M]
W6570	D0GBR00JA008	0 1/16W	[M]
W7001	D0GBR00JA008	0 1/16W	[M]
W7002	D0GBR00JA008	0 1/16W	[M]
W7003	D0GBR00JA008	0 1/16W	[M]
W7004	D0GBR00JA008	0 1/16W	[M]
W7005	D0GBR00JA008	0 1/16W	[M]
W7006	D0GBR00JA008	0 1/16W	[M]
W7007	D0GBR00JA008	0 1/16W	[M]
W7008	D0GBR00JA008	0 1/16W	[M]
W7009	D0GBR00JA008	0 1/16W	[M]
W7010	D0GBR00JA008	0 1/16W	[M]
W7011	D0GBR00JA008	0 1/16W	[M]
W7012	D0GBR00JA008	0 1/16W	[M]
W7013	D0GBR00JA008	0 1/16W	[M]
W7014	D0GBR00JA008	0 1/16W	[M]
W7015	D0GBR00JA008	0 1/16W	[M]
W7016	D0GBR00JA008	0 1/16W	[M]
W7017	D0GBR00JA008	0 1/16W	[M]
W7018	D0GBR00JA008	0 1/16W	[M]
W7019	D0GBR00JA008	0 1/16W	[M]
W7020	D0GBR00JA008	0 1/16W	[M]
W7021	D0GBR00JA008	0 1/16W	[M]
W7024	D0GBR00JA008	0 1/16W	[M]
W7025	ERJ6GEY0R00V	0 1/8W	[M]
W7026	ERJ6GEY0R00V	0 1/8W	[M]
		WIRES	
WR1903	RWJ0102050KR	2P WIRE	[M]
J6001	RWJ1103055SS	3P WIRE (PANEL-REMOTE SENSOR)	[M]
ZJ6801	REXX0681	2P WIRE (PANEL-MUSIC PORT)	[M]
ZJ1111	REXX0681	2P WIRE (USB-MAIN)	[M]
ZJ2701	REXX0680	11P WIRE (MAIN-SMPS)	[M]
		RESISTORS	
R517	ERJ2GE0R00X	0 1/16W	[M]
R518	ERJ2GE0R00X	0 1/16W	[M]
R519	D0GA105JA023	1M 1/16W	[M]
R520	D0GA105JA023	1M 1/16W	[M]
R521	D0GA100JA023	10 1/16W	[M]
R522	D0GA100JA023	10 1/16W	[M]
R523	D0GA102JA023	1K 1/16W	[M]
R525	D0GA100JA023	10 1/16W	[M]
R526	D0GA100JA023	10 1/16W	[M]
R527	D0GA103JA023	10K 1/16W	[M]
R554	D0GA104JA023	100K 1/16W	[M]
R555	D0GA221JA023	220 1/16W	[M]
R556	D0GA221JA023	220 1/16W	[M]
R557	D0GA223JA023	22K 1/16W	[M]
R558	D0GA223JA023	22K 1/16W	[M]
R559	D0GA104JA023	100K 1/16W	[M]
R560	D0GA473JA023	47K 1/16W	[M]
R561	D0GA473JA023	47K 1/16W	[M]
R653	D0GA473JA023	47K 1/16W	[M]
R654	D0GA473JA023	47K 1/16W	[M]
R655	D0GA473JA023	47K 1/16W	[M]
R701	D0GA473JA023	47K 1/16W	[M]
R704	D0GA473JA023	47K 1/16W	[M]

Ref. No.	Part No.	Part Name & Description	Remarks
R705	ERJ2GE0R00X	0 1/16W	[M]
R801	D0GA220JA023	22 1/16W	[M]
R802	D0GA100JA023	10 1/16W	[M]
R803	D0GA100JA023	10 1/16W	[M]
R804	D0GA100JA023	10 1/16W	[M]
R806	D0GA100JA023	10 1/16W	[M]
R809	ERJ2GEJ101X	100 1/16W	[M]
R810	D0GA100JA023	10 1/16W	[M]
R811	D0GA100JA023	10 1/16W	[M]
R812	D0GA682JA023	6.8K 1/16W	[M]
R813	D0GA473JA023	47K 1/16W	[M]
R814	D0GA473JA023	47K 1/16W	[M]
R815	D0GA473JA023	47K 1/16W	[M]
R816	ERJ2GEJ101X	100 1/16W	[M]
R817	D0GA100JA023	10 1/16W	[M]
R818	D0GA473JA023	47K 1/16W	[M]
R821	D0GA473JA023	47K 1/16W	[M]
R822	D0GA473JA023	47K 1/16W	[M]
R824	D0GA473JA023	47K 1/16W	[M]
R825	D0GA100JA023	10 1/16W	[M]
R827	ERJ2GE0R00X	0 1/16W	[M]
R828	ERJ2GE0R00X	0 1/16W	[M]
R829	ERJ2GE0R00X	0 1/16W	[M]
R830	D0GA100JA023	10 1/16W	[M]
R833	D0GA102JA023	1K 1/16W	[M]
R835	D0GA331JA023	330 1/16W	[M]
R836	D0GA100JA023	10 1/16W	[M]
R843	D0GA220JA023	22 1/16W	[M]
R844	D0GA220JA023	22 1/16W	[M]
R849	D0GA473JA023	47K 1/16W	[M]
R850	D0GA473JA023	47K 1/16W	[M]
R855	D0GA100JA023	10 1/16W	[M]
R856	D0GA100JA023	10 1/16W	[M]
R857	D0GA100JA023	10 1/16W	[M]
R858	ERJ2GEJ101X	100 1/16W	[M]
R861	D0GA473JA023	47K 1/16W	[M]
R862	D0GA473JA023	47K 1/16W	[M]
R863	D0GA473JA023	47K 1/16W	[M]
R870	D0GA100JA023	10 1/16W	[M]
R871	D0GA100JA023	10 1/16W	[M]
R872	D0GA100JA023	10 1/16W	[M]
R875	D0GA473JA023	47K 1/16W	[M]
R876	D0GA473JA023	47K 1/16W	[M]
R877	D0GA103JA023	10K 1/16W	[M]
R878	D1BD5901A030	59 1/10W	[M]
R879	D0GA105JA023	1M 1/16W	[M]
R880	D0GA471JA023	470 1/16W	[M]
R881	D0GA473JA023	47K 1/16W	[M]
R888	ERJ2GE0R00X	0 1/16W	[M]
R890	ERJ2GE0R00X	0 1/16W	[M]
R891	ERJ2GE0R00X	0 1/16W	[M]
R892	ERJ2GE0R00X	0 1/16W	[M]
R893	ERJ2GE0R00X	0 1/16W	[M]
R894	ERJ2GE0R00X	0 1/16W	[M]
R972	D0AE821JA178	820 1/4W	[M]
R973	D0AE393JA178	39K 1/4W	[M]
R1061	D0GBR00JA008	0 1/16W	[M]
R1063	D0GBR00JA008	0 1/16W	[M]
R1064	D0GBR00JA008	0 1/16W	[M]
R1101	D0GB330JA008	33 1/16W	[M]
R1102	D0GB152JA008	1.5K 1/16W	[M]
R1103	D0GB183JA008	18K 1/16W	[M]
R1104	D0GB103JA008	10K 1/16W	[M]
R1105	D0GB222JA008	2.2K 1/16W	[M]
R1106	D0GB104JA008	100K 1/16W	[M]
R1109	D0GB102JA008	1K 1/16W	[M]
R1110	D0GB333JA008	33K 1/16W	[M]
R1111	D0GB272JA008	2.7K 1/16W	[M]
R1201	D0GB330JA008	33 1/16W	[M]
R1202	D0GB152JA008	1.5K 1/16W	[M]
R1203	D0GB183JA008	18K 1/16W	[M]
R1204	D0GB103JA008	10K 1/16W	[M]
R1205	D0GB222JA008	2.2K 1/16W	[M]
R1206	D0GB104JA008	100K 1/16W	[M]

Ref. No.	Part No.	Part Name & Description	Remarks
R1209	D0GB102JA008	1K 1/16W	[M]
R1210	D0GB333JA008	33K 1/16W	[M]
R1302	D0GB471JA008	470 1/16W	[M]
R1303	D0GB475JA008	4.7M 1/16W	[M]
R1304	D0GB223JA008	22K 1/16W	[M]
R1305	D0GB103JA008	10K 1/16W	[M]
R1309	D0AF471JA039	470 1/2W	[M]
R1314	D0GB102JA008	1K 1/16W	[M]
R1318	D0GB103JA008	10K 1/16W	[M]
R1327	D0GB472JA008	4.7K 1/16W	[M]
R1328	D0GB153JA008	15K 1/16W	[M]
R1329	D0GB472JA008	4.7K 1/16W	[M]
R1330	ERD2FCVJ4R7T	4.7 1/4W	[M]
R1331	D0GB472JA008	4.7K 1/16W	[M]
R1332	D0GB103JA008	10K 1/16W	[M]
R1333	ERD2FCVJ4R7T	4.7 1/4W	[M]
R1334	D0GB223JA008	22K 1/16W	[M]
R1335	D0GB152JA008	1.5K 1/16W	[M]
R1337	D0GB103JA008	10K 1/16W	[M]
R1338	D0GB472JA008	4.7K 1/16W	[M]
R1339	D0GD103JA017	10K 1/10W	[M]
R1341	D0GB471JA008	470 1/16W	[M]
R1342	D0GB473JA008	47K 1/16W	[M]
R1343	D0GB333JA008	3.3K 1/16W	[M]
R1344	D0GB273JA008	27K 1/16W	[M]
R1345	D0GB102JA008	1K 1/16W	[M]
R1371	D0GB223JA008	22K 1/16W	[M]
R1374	D0GB471JA008	470 1/16W	[M]
R1380	D0GBR00JA008	0 1/16W	[M]
R1401	D0GB123JA008	12K 1/16W	[M]
R1402	D0GB274JA008	270K 1/16W	[M]
R1403	D0GB103JA008	10K 1/16W	[M]
R1404	D0GB223JA008	22K 1/16W	[M]
R1405	D0GB123JA008	12K 1/16W	[M]
R2001	D0GB332JA008	3.3K 1/16W	[M]
R2002	D0GB332JA008	3.3K 1/16W	[M]
R2003	D0GB562JA008	5.6K 1/16W	[M]
R2004	D0GB562JA008	5.6K 1/16W	[M]
R2041	D0GB332JA008	3.3K 1/16W	[M]
R2042	D0GB332JA008	3.3K 1/16W	[M]
R2043	D0GB472JA008	4.7K 1/16W	[M]
R2044	D0GB472JA008	4.7K 1/16W	[M]
R2046	D0GB332JA008	3.3K 1/16W	[M]
R2061	D0GB471JA008	470 1/16W	[M]
R2062	D0GB392JA008	3.9K 1/16W	[M]
R2063	D0GB392JA008	3.9K 1/16W	[M]
R2064	D0GB471JA008	470 1/16W	[M]
R2101	D0GBR00JA008	0 1/16W	[M]
R2102	D0GBR00JA008	0 1/16W	[M]
R2121	D0GB472JA008	4.7K 1/16W	[M]
R2122	D0GB682JA008	6.8K 1/16W	[M]
R2131	D0GB223JA008	22K 1/16W	[M]
R2132	D0GB223JA008	22K 1/16W	[M]
R2181	D0GB391JA008	390 1/16W	[M]
R2182	D0GB391JA008	390 1/16W	[M]
R2183	D0GB103JA008	10K 1/16W	[M]
R2184	D0GB103JA008	10K 1/16W	[M]
R2185	D0GB472JA008	4.7K 1/16W	[M]
R2186	D0GB472JA008	4.7K 1/16W	[M]
R2221	D0GB472JA008	4.7K 1/16W	[M]
R2222	D0GB682JA008	6.8K 1/16W	[M]
R2301	D0GB823JA008	82K 1/16W	[M]
R2302	D0GB473JA008	47K 1/16W	[M]
R2303	D0GB223JA008	22K 1/16W	[M]
R2304	D0GB103JA008	10K 1/16W	[M]
R2305	D0GB223JA008	22K 1/16W	[M]
R2311	D0GB471JA008	470 1/16W	[M]
R2312	D0GB471JA008	470 1/16W	[M]
R2313	D0GB104JA008	100K 1/16W	[M]
R2314	D0GB104JA008	100K 1/16W	[M]
R2315	D0GB153JA008	15K 1/16W	[M]
R2316	D0GB153JA008	15K 1/16W	[M]
R2318	D0GB104JA008	100K 1/16W	[M]
R2321	D0GB103JA008	10K 1/16W	[M]

Ref. No.	Part No.	Part Name & Description	Remarks
R2322	D0GB103JA008	10K 1/16W	[M]
R2323	D0GB683JA008	68K 1/16W	[M]
R2324	D0GB683JA008	68K 1/16W	[M]
R2327	D0GB183JA008	18K 1/16W	[M]
R2328	D0GB183JA008	18K 1/16W	[M]
R2331	D0GBR00JA008	0 1/16W	[M]
R2332	D0GBR00JA008	0 1/16W	[M]
R2351	D0GB180JA008	18 1/16W	[M]
R2352	D0GB180JA008	18 1/16W	[M]
R2353	D0GB180JA008	18 1/16W	[M]
R2354	D0GB180JA008	18 1/16W	[M]
R2355	D0GB180JA008	18 1/16W	[M]
R2356	D0GB180JA008	18 1/16W	[M]
R2357	D0GB180JA008	18 1/16W	[M]
R2358	D0GB180JA008	18 1/16W	[M]
R2359	D0GB562JA008	5.6K 1/16W	[M]
R2360	D0GB562JA008	5.6K 1/16W	[M]
R2361	D0GB562JA008	5.6K 1/16W	[M]
R2362	D0GB562JA008	5.6K 1/16W	[M]
R2363	D0GB1R0JA008	1.0 1/16W	[M]
R2364	D0GB1R0JA008	1.0 1/16W	[M]
R2365	D0GB104JA008	100K 1/16W	[M]
R2366	D0GB821JA008	820 1/16W	[M]
R2370	D0GB123JA008	12K 1/16W	[M]
R2371	D0GB473JA008	47K 1/16W	[M]
R2372	D0GB473JA008	47K 1/16W	[M]
R2373	D0GB153JA008	15K 1/16W	[M]
R2374	D0GB183JA008	18K 1/16W	[M]
R2375	D0GB222JA008	2.2K 1/16W	[M]
R2376	D0GB102JA008	1K 1/16W	[M]
R2379	D0GB183JA008	18K 1/16W	[M]
R2380	D0GB332JA008	3.3K 1/16W	[M]
R2381	D0GB104JA008	100K 1/16W	[M]
R2382	D0GB102JA008	1K 1/16W	[M]
R2383	D0GBR00JA008	0 1/16W	[M]
R2385	D0GB106JA008	10M 1/16W	[M]
R2386	D0GB102JA008	1K 1/16W	[M]
R2387	D0GB102JA008	1K 1/16W	[M]
R2416	D0GB472JA008	4.7K 1/16W	[M]
R2417	D0GB103JA008	10K 1/16W	[M]
R2418	D0GB104JA008	100K 1/16W	[M]
R2448	D0GB223JA008	22K 1/16W	[M]
R2480	D0GB122JA008	1.2K 1/16W	[M]
R2501	D0GB334JA008	330K 1/16W	[M]
R2502	D0GB823JA008	82K 1/16W	[M]
R2503	D0GB392JA008	3.9K 1/16W	[M]
R2504	D0GB101JA008	100 1/16W	[M]
R2505	D0GB681JA008	680 1/16W	[M]
R2506	D0GB473JA008	47K 1/16W	[M]
R2508	D0GB102JA008	1K 1/16W	[M]
R2509	D0GB101JA008	100 1/16W	[M]
R2510	D0GB563JA008	56K 1/16W	[M]
R2516	D0GB472JA008	4.7K 1/16W	[M]
R2517	D0GB103JA008	10K 1/16W	[M]
R2521	D0GB562JA008	5.6K 1/16W	[M]
R2522	D0GB682JA008	6.8K 1/16W	[M]
R2523	D0GB103JA008	10K 1/16W	[M]
R2524	D0GB153JA008	15K 1/16W	[M]
R2556	D0GB102JA008	1K 1/16W	[M]
R2592	D0GB103JA008	10K 1/16W	[M]
R2601	D0GB103JA008	10K 1/16W	[M]
R2602	D0GB103JA008	10K 1/16W	[M]
R2603	D0GB473JA008	47K 1/16W	[M]
R2607	D0GB473JA008	47K 1/16W	[M]
R2608	D0GB473JA008	47K 1/16W	[M]
R2609	D0GB473JA008	47K 1/16W	[M]
R2610	D0GB474JA008	470K 1/16W	[M]
R2611	D0GBR00JA008	0 1/16W	[M]
R2627	D0GB103JA008	10K 1/16W	[M]
R2629	D0GB473JA008	47K 1/16W	[M]
R2645	ERJ6GEYJ473V	47K 1/8W	[M]
R2646	D0GB473JA008	47K 1/16W	[M]
R2647	D0GB473JA008	47K 1/16W	[M]
R2648	D0GB473JA008	47K 1/16W	[M]

Ref. No.	Part No.	Part Name & Description	Remarks
R2649	D0GB473JA008	47K 1/16W	[M]
R2650	D0GB473JA008	47K 1/16W	[M]
R2653	D0GD102JA017	1K 1/10W	[M]
R2663	ERJ6GEYJ473V	47K 1/8W	[M]
R2664	D0GB472JA008	4.7K 1/16W	[M]
R2679	D0GB223JA008	22K 1/16W	[M]
R2680	D0GB332JA008	3.3K 1/16W	[M]
R2684	D0GB332JA008	3.3K 1/16W	[M]
R2685	D0GB223JA008	22K 1/16W	[M]
R2686	D0GB473JA008	47K 1/16W	[M]
R2688	D0GB473JA008	47K 1/16W	[M]
R2692	D0GB103JA008	10K 1/16W	[M]
R2701	ERJ3GEYF152V	1.5K 1/10W	[M]
R2702	ERJ3GEYF332V	3.3K 1/10W	[M]
R2703	ERJ3GEYF102V	1K 1/10W	[M]
R2705	D0GB103JA008	10K 1/16W	[M]
R2706	D0GB472JA008	4.7K 1/16W	[M]
R2711	D0GB271JA008	270 1/16W	[M]
R2712	D0GB180JA008	18 1/16W	[M]
R2721	D0AF2R2JA039	2.2 1/2W	[M]
R2722	D0AF2R2JA039	2.2 1/2W	[M]
R2725	D0GB103JA008	10K 1/16W	[M]
R2733	D0GB391JA008	390 1/16W	[M]
R2735	D0GB101JA008	100 1/16W	[M]
R2743	D0GB474JA008	470K 1/16W	[M]
R2744	D0GB472JA008	4.7K 1/16W	[M]
R2745	D0GB102JA008	1K 1/16W	[M]
R2753	D0GD102JA017	1K 1/10W	[M]
R2754	D0GB471JA008	470 1/16W	[M]
R2755	D0GB272JA008	2.7K 1/16W	[M]
R2756	D0GB471JA008	470 1/16W	[M]
R2762	D0GB102JA008	1K 1/16W	[M]
R2765	D0GB272JA008	2.7K 1/16W	[M]
R2771	D0GB822JA008	8.2K 1/16W	[M]
R2772	D0GB752JA008	7.5K 1/16W	[M]
R2773	D0GB153JA008	15K 1/16W	[M]
R2774	D0GB153JA008	15K 1/16W	[M]
R2775	D0GB912JA041	9.1K 1/10W	[M]
R2803	D0GDR00JA017	0 1/10W	[M]
R2804	D0GD101JA017	100 1/10W	[M]
R2805	D0GB101JA008	100 1/16W	[M]
R2806	D0GB102JA008	1K 1/16W	[M]
R2807	D0GB102JA008	1K 1/16W	[M]
R2808	D0GB101JA008	100 1/16W	[M]
R2809	D0GB101JA008	100 1/16W	[M]
R2811	D0GB101JA008	100 1/16W	[M]
R2812	D0GBR00JA008	0 1/16W	[M]
R2815	D0GB473JA008	47K 1/16W	[M]
R2820	D0GB103JA008	10K 1/16W	[M]
R2821	D0GB101JA008	100 1/16W	[M]
R2822	D0GB101JA008	100 1/16W	[M]
R2824	D0GB103JA008	10K 1/16W	[M]
R2825	D0GB101JA008	100 1/16W	[M]
R2826	D0GB101JA008	100 1/16W	[M]
R2827	D0GB101JA008	100 1/16W	[M]
R2828	D0GB101JA008	100 1/16W	[M]
R2829	D0GB102JA008	1K 1/16W	[M]
R2830	D0GD101JA017	100 1/10W	[M]
R2831	D0GB102JA008	1K 1/16W	[M]
R2832	D0GB102JA008	1K 1/16W	[M]
R2833	D0GB102JA008	1K 1/16W	[M]
R2834	D0GB101JA008	100 1/16W	[M]
R2835	D0GB101JA008	100 1/16W	[M]
R2836	D0GB102JA008	1K 1/16W	[M]
R2843	D0GB101JA008	100 1/16W	[M]
R2845	D0GBR00JA008	0 1/16W	[M]
R2846	D0GDR00JA017	0 1/10W	[M]
R2847	D0GBR00JA008	0 1/16W	[M]
R2848	D0GBR00JA008	0 1/16W	[M]
R2849	D0GBR00JA008	0 1/16W	[M]
R2850	D0GBR00JA008	0 1/16W	[M]
R2851	D0GB101JA008	100 1/16W	[M]
R2852	D0GB101JA008	100 1/16W	[M]
R2854	D0GB101JA008	100 1/16W	[M]

Ref. No.	Part No.	Part Name & Description	Remarks
R2856	D0GB101JA008	100 1/16W	[M]
R2857	D0GB101JA008	100 1/16W	[M]
R2862	D0GD102JA017	1K 1/10W	[M]
R2866	D0GD101JA017	100 1/10W	[M]
R2867	D0GB152JA008	1.5K 1/16W	[M]
R2868	D0GB102JA008	1K 1/16W	[M]
R2869	D0GB152JA008	1.5K 1/16W	[M]
R2874	D0GB102JA008	1K 1/16W	[M]
R2876	D0GB101JA008	100 1/16W	[M]
R2877	D0GB101JA008	100 1/16W	[M]
R2879	D0GBR00JA008	0 1/16W	[M]
R2880	D0GB101JA008	100 1/16W	[M]
R2881	D0GB101JA008	100 1/16W	[M]
R2882	D0GB101JA008	100 1/16W	[M]
R2883	D0GB101JA008	100 1/16W	[M]
R2886	D0GB102JA008	1K 1/16W	[M]
R2887	D0GD102JA017	1K 1/10W	[M]
R2888	D0GD102JA017	1K 1/10W	[M]
R2895	D0GB101JA008	100 1/16W	[M]
R2896	D0GB101JA008	100 1/16W	[M]
R2897	D0GB101JA008	100 1/16W	[M]
R2898	D0GB102JA008	1K 1/16W	[M]
R2899	D0GB102JA008	1K 1/16W	[M]
R2900	D0GD101JA017	100 1/10W	[M]
R2901	D0GB102JA008	1K 1/16W	[M]
R2902	D0GB470JA008	47 1/16W	[M]
R2904	D0GB102JA008	1K 1/16W	[M]
R2905	D0GB221JA008	220 1/16W	[M]
R2910	D0GB103JA008	10K 1/16W	[M]
R2914	D0GB472JA008	4.7K 1/16W	[M]
R2930	D0GB101JA008	100 1/16W	[M]
R2931	D0GB101JA008	100 1/16W	[M]
R2932	D0GB101JA008	100 1/16W	[M]
R2937	D0GB103JA008	10K 1/16W	[M]
R2939	D0GB473JA008	47K 1/16W	[M]
R2941	D0GB103JA008	10K 1/16W	[M]
R2942	D0GB472JA008	4.7K 1/16W	[M]
R2944	D0GB562JA008	5.6K 1/16W	[M]
R2945	D0GB103JA008	10K 1/16W	[M]
R2946	D0GB563JA008	56K 1/16W	[M]
R2947	D0AF270JA039	27 1/2W	[M]
R2948	D0GB101JA008	100 1/16W	[M]
R2949	D0GB473JA008	47K 1/16W	[M]
R2950	D0GB562JA008	5.6K 1/16W	[M]
R2957	D0AF680JA039	68 1/2W	[M]
R2958	D0GB101JA008	100 1/16W	[M]
R2959	D0GB683JA008	68K 1/16W	[M]
R2961	D0GB472JA008	4.7K 1/16W	[M]
R2962	D0GB562JA008	5.6K 1/16W	[M]
R2963	D0GB103JA008	10K 1/16W	[M]
R2965	D0GB103JA008	10K 1/16W	[M]
R2966	D0GB824JA008	820K 1/16W	[M]
R2967	D0GB473JA008	47K 1/16W	[M]
R2968	D0GB103JA008	10K 1/16W	[M]
R2969	D0GB563JA008	56K 1/16W	[M]
R2970	D0GB103JA008	10K 1/16W	[M]
R2971	D0GB472JA008	4.7K 1/16W	[M]
R2981	D0GB182JA008	1.8K 1/16W	[M]
R2982	D0GB182JA008	1.8K 1/16W	[M]
R2983	D0GB472JA008	4.7K 1/16W	[M]
R2984	D0GB472JA008	4.7K 1/16W	[M]
R2990	D0GB102JA008	1K 1/16W	[M]
R3111	D0GB332JA008	3.3K 1/16W	[M]
R3112	D0GB332JA008	3.3K 1/16W	[M]
R3113	D0GB103JA008	10K 1/16W	[M]
R3114	D0GB103JA008	10K 1/16W	[M]
R3125	D0GBR00JA008	0 1/16W	[M]
R3126	D0GBR00JA008	0 1/16W	[M]
R3406	D0GB184JA008	180K 1/16W	[M]
R3407	D0GB125JA007	1.2M 1/10W	[M]
R3408	D0GB224JA008	220K 1/16W	[M]
R3409	D0GB224JA008	220K 1/16W	[M]
R3410	D0GB224JA008	220K 1/16W	[M]
R3411	D0GB224JA008	220K 1/16W	[M]

Ref. No.	Part No.	Part Name & Description	Remarks
R3412	D0GBR00JA008	0 1/16W	[M]
R3414	D0GB101JA008	100 1/16W	[M]
R3450	D0GB473JA008	47K 1/16W	[M]
R3451	D0GB473JA008	47K 1/16W	[M]
R3452	D0GB472JA008	4.7K 1/16W	[M]
R3453	D0GB104JA008	100K 1/16W	[M]
R3701	D0GB122JA008	1.2K 1/16W	[M]
R3702	D0GB122JA008	1.2K 1/16W	[M]
R3703	D0GB273JA008	27K 1/16W	[M]
R3704	D0GB273JA008	27K 1/16W	[M]
R4008	ERJ3RED334V	330K 1/16W	[M]
R4009	ERJ3RED224V	220K 1/16W	[M]
R4012	D0GBR00JA008	0 1/16W	[M]
R4013	D0GBR00JA008	0 1/16W	[M]
R4014	D0GBR00JA008	0 1/16W	[M]
R5000	ERJ3GEYJ562V	5.6K 1/10W	[M]
R5001	ERJ3GEYJ562V	5.6K 1/10W	[M]
R5002	ERJ3GEYJ562V	5.6K 1/10W	[M]
R5003	ERJ3GEYJ562V	5.6K 1/10W	[M]
R5004	D0GF100JA014	10 1/8W	[M]
R5005	D0GF100JA014	10 1/8W	[M]
R5006	D0GZ220JA012	22 1W	[M]
R5007	D0GZ220JA012	22 1W	[M]
R5008	ERJ3GEYJ101V	100 1/10W	[M]
R5010	D0GF100JA014	10 1/8W	[M]
R5011	D0GF100JA014	10 1/8W	[M]
R5018	ERJ3GEYJ683V	68K 1/10W	[M]
R5019	ERJ3GEYJ683V	68K 1/10W	[M]
R5020	ERJ3GEYJ124V	120K 1/10W	[M]
R5021	ERJ3GEYJ122V	1.2K 1/10W	[M]
R5022	ERJ3GEYJ122V	1.2K 1/10W	[M]
R5023	ERJ3GEYJ122V	1.2K 1/10W	[M]
R5030	ERJ3GEYJ562V	5.6K 1/10W	[M]
R5031	ERJ3GEYJ562V	5.6K 1/10W	[M]
R5032	ERJ3GEYJ562V	5.6K 1/10W	[M]
R5033	ERJ3GEYJ562V	5.6K 1/10W	[M]
R5036	ERJ3GEYJ562V	5.6K 1/10W	[M]
R5037	ERJ3GEYJ562V	5.6K 1/10W	[M]
R5103	ERJ3GEYJ562V	5.6K 1/10W	[M]
R5104	ERJ3GEYJ562V	5.6K 1/10W	[M]
R5110	ERJ3GEYJ223V	22K 1/10W	[M]
R5113	ERJ3GEYJ124V	120K 1/10W	[M]
R5118	ERJ3GEYJ562V	5.6K 1/10W	[M]
R5119	ERJ3GEYJ562V	5.6K 1/10W	[M]
R5200	D0GF100JA014	10 1/8W	[M]
R5201	D0GF100JA014	10 1/8W	[M]
R5204	ERJ3GEYJ101V	100 1/10W	[M]
R5205	ERJ3GEYJ562V	5.6K 1/10W	[M]
R5206	ERJ3GEYJ562V	5.6K 1/10W	[M]
R5207	ERJ3GEYJ562V	5.6K 1/10W	[M]
R5208	ERJ3GEYJ562V	5.6K 1/10W	[M]
R5209	D0GZ220JA012	22 1W	[M]
R5210	D0GF100JA014	10 1/8W	[M]
R5211	D0GF100JA014	10 1/8W	[M]
R5217	D0GZ220JA012	22 1W	[M]
R5317	ERJ3GEYJ122V	1.2K 1/10W	[M]
R5318	ERJ3GEYJ124V	120K 1/10W	[M]
R5328	ERJ3GEYJ683V	68K 1/10W	[M]
R5400	D0GZ220JA012	22 1W	[M]
R5402	D0GF100JA014	10 1/8W	[M]
R5404	ERJ3GEYJ101V	100 1/10W	[M]
R5405	D0GF100JA014	10 1/8W	[M]
R5410	D0GF100JA014	10 1/8W	[M]
R5411	D0GF100JA014	10 1/8W	[M]
R5419	D0GZ220JA012	22 1W	[M]
R5504	ERJ3GEYJ220V	22 1/10W	[M]
R5505	ERJ3GEYJ101V	100 1/10W	[M]
R5506	ERJ3GEYJ105V	1M 1/10W	[M]
R5507	ERJ3GEYJ105V	1M 1/10W	[M]
R5508	ERJ3GEYJ105V	1M 1/10W	[M]
R5510	ERG2SJ471E	470 2W	[M]
R5511	ERJ3GEYJ220V	22 1/10W	[M]
R5602	ERJ3GEYJ103V	10K 1/10W	[M]
R5603	ERJ3GEYJ103V	10K 1/10W	[M]

Ref. No.	Part No.	Part Name & Description	Remarks
R5604	ERJ3GEYJ122V	1.2K 1/10W	[M]
R5608	ERJ3GEYJ103V	10K 1/10W	[M]
R5609	ERJ3GEYJ103V	10K 1/10W	[M]
R5611	ERJ3GEYJ122V	1.2K 1/10W	[M]
R5671	ERJ3GEY0R00V	0 1/10W	[M]
R5701	ERDS1TJ475B	4.7M 1W	[M]
R5702	ERJ1TYJ104U	100K 1W	[M]
R5703	ERJ1TYJ104U	100K 1W	[M]
R5704	ERJ8GEYJ394V	390K 1/4W	[M]
R5705	ERJ8GEYJ394V	390K 1/4W	[M]
R5720	ERJ6GEYJ220V	22 1/8W	[M]
R5721	ERJ6GEYJ103V	10K 1/8W	[M]
R5722	ERJ6GEYJ102V	1K 1/8W	[M]
R5723	ERJ3GEYJ102V	1K 1/10W	[M]
R5724	ERJ6GEYJ121V	120 1/8W	[M]
R5725	ERJ3GEY0R00V	0 1/10W	[M]
R5726	ERX2LJ82MP	82m 2W	[M]
R5728	ERJ3GEYJ104V	100K 1/10W	[M]
R5729	ERJ6GEYJ103V	10K 1/8W	[M]
R5730	ERJ3GEYJ102V	1K 1/10W	[M]
R5731	ERJ3GEY0R00V	0 1/10W	[M]
R5732	ERJ3GEYJ101V	100 1/10W	[M]
R5733	ERJ3GEYJ473V	47K 1/10W	[M]
R5750	ERJ3GEY0R00V	0 1/10W	[M]
R5786	ERJ1TYJ204U	200K 1W	[M]
R5787	ERJ3GEYJ753V	75K 1/10W	[M]
R5795	ERJ6GEYJ433V	43K 1/8W	[M]
R5796	ERDS1FVJ222T	2.2K 1/2W	[M]
R5797	ERJ6GEYJ472V	4.7K 1/8W	[M]
R5798	ERJ6GEYJ100V	10 1/8W	[M]
R5800	ERJ6GEYJ123V	12K 1/8W	[M]
R5801	ERJ6GEYJ103V	10K 1/8W	[M]
R5802	ERJ3RBD272V	2.7K 1/16W	[M]
R5803	ERJ6GEY0R00V	0 1/8W	[M]
R5804	ERJ6RBD473V	47K 1/16W	[M]
R5805	ERJ3RBD222V	2.2K 1/16W	[M]
R5806	ERJ3GEYJ153V	15K 1/10W	[M]
R5807	ERJ6GEYJ331V	330 1/8W	[M]
R5808	ERJ6GEYJ222V	2.2K 1/8W	[M]
R5809	ERJ6GEYJ331V	330 1/8W	[M]
R5810	ERJ3GEYJ331V	330 1/10W	[M]
R5811	ERJ8GEYJ152V	1.5K 1/4W	[M]
R5812	ERJ3RBD222V	8.2K 1/16W	[M]
R5813	ERJ3RBD243V	24K 1/16W	[M]
R5814	ERJ3GEYJ822V	8.2K 1/10W	[M]
R5815	ERJ3GEYJ272V	2.7K 1/10W	[M]
R5816	ERJ8GEYJ152V	1.5K 1/4W	[M]
R5817	ERJ3GEYJ331V	330 1/10W	[M]
R5820	ERG2SJ910E	91 2W	[M]
R5821	ERG2SJ910E	91 2W	[M]
R5822	ERG2SJ910E	91 2W	[M]
R5823	ERG2SJ910E	91 2W	[M]
R5824	ERG2SJ910E	91 2W	[M]
R5825	ERJ3GEYJ102V	1K 1/10W	[M]
R5832	ERJ1TYJ222U	2.2K 1W	[M]
R5834	ERJ1TYJ222U	2.2K 1W	[M]
R5840	ERJ3GEYJ823V	82K 1/10W	[M]
R5841	ERJ3GEYJ124V	120K 1/10W	[M]
R5860	ERJ3GEYF103V	10K 1/10W	[M]
R5861	ERJ3GEYF472V	4.7K 1/10W	[M]
R5862	ERJ6GEYJ103V	10K 1/8W	[M]
R5863	ERJ6GEYJ103V	10K 1/8W	[M]
R5864	ERJ6GEYF103V	10K 1/8W	[M]
R5890	ERJ3GEYJ222V	2.2K 1/10W	[M]
R5891	ERJ3RBD333V	33K 1/16W	[M]
R5892	ERJ3RBD472V	4.7K 1/16W	[M]
R5893	ERJ3RBD393V	39K 1/16W	[M]
R5894	ERJ3GEYJ102V	1K 1/10W	[M]
R5895	ERJ3GEYJ101V	100 1/10W	[M]
R5896	ERJ3GEYJ104V	100K 1/10W	[M]
R5897	ERJ3GEYJ101V	100 1/10W	[M]
R6100	D0GB103JA008	10K 1/16W	[M]
R6101	D0GB122JA008	1.2K 1/16W	[M]
R6102	D0GB152JA008	1.5K 1/16W	[M]

Ref. No.	Part No.	Part Name & Description	Remarks
R6103	D0GB222JA008	2.2K 1/16W	[M]
R6104	D0GB332JA008	3.3K 1/16W	[M]
R6106	D0GB472JA008	4.7K 1/16W	[M]
R6107	D0GB682JA008	6.8K 1/16W	[M]
R6108	D0GB153JA008	15K 1/16W	[M]
R6200	D0GB103JA008	10K 1/16W	[M]
R6201	D0GBR00JA008	0 1/16W	[M]
R6202	D0GB272JA008	2.7K 1/16W	[M]
R6203	D0GB222JA008	2.2K 1/16W	[M]
R6204	D0GB332JA008	3.3K 1/16W	[M]
R6205	D0GB472JA008	4.7K 1/16W	[M]
R6206	D0GB682JA008	6.8K 1/16W	[M]
R6207	D0GB153JA008	15K 1/16W	[M]
R6208	D0GB473JA008	47K 1/16W	[M]
R6300	D0GB103JA008	10K 1/16W	[M]
R6301	D0GB122JA008	1.2K 1/16W	[M]
R6302	D0GB152JA008	1.5K 1/16W	[M]
R6303	D0GB222JA008	2.2K 1/16W	[M]
R6304	D0GB332JA008	3.3K 1/16W	[M]
R6305	D0GB472JA008	4.7K 1/16W	[M]
R6306	D0GB682JA008	6.8K 1/16W	[M]
R6307	D0GB153JA008	15K 1/16W	[M]
R6308	D0GB473JA008	47K 1/16W	[M]
R6458	D0GB102JA008	1K 1/16W	[M]
R6501	D0GB123JA008	12K 1/16W	[M]
R6502	D0GB223JA008	22K 1/16W	[M]
R6503	D0GB103JA008	10K 1/16W	[M]
R6511	D0GB181JA008	180 1/16W	[M]
R6512	D0GB221JA008	220 1/16W	[M]
R6600	D0GB102JA008	1K 1/16W	[M]
R6618	D0GB221JA008	220 1/16W	[M]
R6619	D0GB221JA008	220 1/16W	[M]
R6620	D0GB471JA008	470 1/16W	[M]
R6622	D0GB823JA008	82K 1/16W	[M]
R6631	D0GB103JA008	10K 1/16W	[M]
R6632	D0GB103JA008	10K 1/16W	[M]
R6641	D0GB122JA008	1.2K 1/16W	[M]
R6642	D0GBR00JA008	0 1/16W	[M]
R6671	D0GB223JA008	22K 1/16W	[M]
R6672	D0GB100JA008	10 1/16W	[M]
R6811	D0GBR00JA008	0 1/16W	[M]
R6812	D0GBR00JA008	0 1/16W	[M]
R7111	D0GB103JA008	10K 1/16W	[M]
R7211	ERJ3GEYJ823V	82K 1/10W	[M]
R7212	ERJ3GEYJ821V	820 1/10W	[M]
R7214	ERJ3GEYJ471V	470 1/10W	[M]
R7217	D0GB102JA008	1K 1/16W	[M]
R7218	D0GB102JA008	1K 1/16W	[M]
R7220	ERJ3GEYJ105V	1M 1/10W	[M]
R7221	ERJ3GEYJ101V	100 1/10W	[M]
R7253	ERJ3GEYJ100V	10 1/10W	[M]
R7254	D0GB102JA008	1K 1/16W	[M]
R7315	ERJ3GEYJ332V	3.3K 1/10W	[M]
R7323	ERJ3GEYJ682V	6.8K 1/10W	[M]
R7325	ERJ3GEYJ331V	330 1/10W	[M]
R7327	D0GB102JA008	1K 1/16W	[M]
R7328	D0GB103JA008	10K 1/16W	[M]
R7329	D0GB102JA008	1K 1/16W	[M]
R7330	ERJ3GEYJ562V	5.6K 1/10W	[M]
R7331	D0GB273JA008	27K 1/16W	[M]
R7332	D0GB102JA008	1K 1/16W	[M]
R7335	ERJ3GEYJ101V	100 1/10W	[M]
R7336	ERJ3GEYJ100V	10 1/10W	[M]
R7339	D0GB102JA008	1K 1/16W	[M]
R7349	ERJ3GEYJ183V	18K 1/10W	[M]
R7601	ERJ3GEYJ4R7V	4.7 1/10W	[M]
R7650	ERJ3GEYJ5R6V	5.6 1/10W	[M]
RX551	D1H84734A024	RESISTOR NETWORK	[M]
RX656	D1H84734A024	RESISTOR NETWORK	[M]
RX801	EXB2HV100JV	RESISTOR NETWORK	[M]
RX802	EXB2HV100JV	RESISTOR NETWORK	[M]
RX804	D1H410020002	RESISTOR NETWORK	[M]
RX805	D1H410020002	RESISTOR NETWORK	[M]
RX807	EXB2HV100JV	RESISTOR NETWORK	[M]

Ref. No.	Part No.	Part Name & Description	Remarks
RX808	EXB2HV100JV	RESISTOR NETWORK	[M]
RX820	D1H81004A024	RESISTOR NETWORK	[M]
RX826	D1H84734A024	RESISTOR NETWORK	[M]
RX834	D1H81004A024	RESISTOR NETWORK	[M]
RX837	EXB2HV100JV	RESISTOR NETWORK	[M]
RX838	EXB2HV100JV	RESISTOR NETWORK	[M]
RX839	D1H410020002	RESISTOR NETWORK	[M]
RX840	EXB2HV100JV	RESISTOR NETWORK	[M]
RX841	EXB2HV100JV	RESISTOR NETWORK	[M]
RX853	D1H84734A024	RESISTOR NETWORK	[M]
RX854	D1H410020002	RESISTOR NETWORK	[M]
RX864	D1H84734A024	RESISTOR NETWORK	[M]
		CAPACITORS	
C513	F1G1A1040006	0.1uF 10V	[M]
C514	F1G1A1040006	0.1uF 10V	[M]
C515	F1J0J106A004	10uF 6.3V	[M]
C551	F1G1A1040006	0.1uF 10V	[M]
C552	F1J0J106A004	10uF 6.3V	[M]
C553	F1G1A1040006	0.1uF 10V	[M]
C554	F1J0J106A004	10uF 6.3V	[M]
C555	ECJ1VB0J225M	2.2uF 6.3V	[M]
C556	F1J0J106A004	10uF 6.3V	[M]
C557	F1J0J106A004	10uF 6.3V	[M]
C558	F1G1H101A566	100pF 50V	[M]
C559	F1G1H101A566	100pF 50V	[M]
C560	F1J0J106A004	10uF 6.3V	[M]
C561	F1G1A1040006	0.1uF 10V	[M]
C562	F1J0J106A004	10uF 6.3V	[M]
C563	F1J0J106A004	10uF 6.3V	[M]
C564	F1J0J106A004	10uF 6.3V	[M]
C601	F1G1C1030007	0.01uF 16V	[M]
C602	F1G1C1030007	0.01uF 16V	[M]
C701	F1G1C1030007	0.01uF 16V	[M]
C702	F1G1C1030007	0.01uF 16V	[M]
C751	F1G1C1030007	0.01uF 16V	[M]
C752	F1G1C1030007	0.01uF 16V	[M]
C753	F1G1C1030007	0.01uF 16V	[M]
C754	F1G1C1030007	0.01uF 16V	[M]
C755	F1G1C1030007	0.01uF 16V	[M]
C756	F1G1C1030007	0.01uF 16V	[M]
C757	F1G1C1030007	0.01uF 16V	[M]
C801	F1G1C1030007	0.01uF 16V	[M]
C802	F1G1C1030007	0.01uF 16V	[M]
C803	F1G1C1030007	0.01uF 16V	[M]
C804	F1G1C1030007	0.01uF 16V	[M]
C805	F1G1C1030007	0.01uF 16V	[M]
C806	F1G1C1030007	0.01uF 16V	[M]
C807	F1G1C1030007	0.01uF 16V	[M]
C808	ECJ1VB0J475M	4.7uF 6.3V	[M]
C809	F3G0J476A030	47uF 6.3V	[M]
C811	F3G0J476A030	47uF 6.3V	[M]
C812	F3G0J476A030	47uF 6.3V	[M]
C813	F3G0J476A030	47uF 6.3V	[M]
C814	F1G1C1030007	0.01uF 16V	[M]
C815	F1G1C1030007	0.01uF 16V	[M]
C816	F1G1H150A565	15pF 50V	[M]
C817	F1G1H150A565	15pF 50V	[M]
C818	F1G1C1030007	0.01uF 16V	[M]
C819	F1G1C1030007	0.01uF 16V	[M]
C820	F1G1C1030007	0.01uF 16V	[M]
C821	F1G1C1030007	0.01uF 16V	[M]
C823	F1G1E1020001	1000pF 25V	[M]
C824	F1G1C1030007	0.01uF 16V	[M]
C825	F1G1C1030007	0.01uF 16V	[M]
C826	F1G1C1030007	0.01uF 16V	[M]
C827	F1G1C1030007	0.01uF 16V	[M]
C828	F1G1C1030007	0.01uF 16V	[M]
C829	F1G1C1030007	0.01uF 16V	[M]
C830	F1G1C1030007	0.01uF 16V	[M]
C831	F1G1C1030007	0.01uF 16V	[M]
C832	F1G1C1030007	0.01uF 16V	[M]
C833	F1G1C1030007	0.01uF 16V	[M]

Ref. No.	Part No.	Part Name & Description	Remarks
C834	F1G1C1030007	0.01uF 16V	[M]
C835	F1G1C1030007	0.01uF 16V	[M]
C836	F1G1C1030007	0.01uF 16V	[M]
C837	F1G1C1030007	0.01uF 16V	[M]
C841	F1G1E1020001	1000pF 25V	[M]
C842	F1G1A1040006	0.1uF 10V	[M]
C843	F1G1E1020001	1000pF 25V	[M]
C844	F1G1A1040006	0.1uF 10V	[M]
C845	F1G1E1020001	1000pF 25V	[M]
C846	F1G1A1040006	0.1uF 10V	[M]
C849	F1G1C1030007	0.01uF 16V	[M]
C850	F1G1C1030007	0.01uF 16V	[M]
C851	F1G1E1020001	1000pF 25V	[M]
C852	F1G1H330A565	33pF 50V	[M]
C853	F1G1H220A565	22pF 50V	[M]
C1100	F2A0J101A208	100uF 6.3V	[M]
C1101	F2A1H1R0A145	1.0uF 50V	[M]
C1102	F1H1H152A219	1500pF 50V	[M]
C1103	F2A1C101A147	100uF 16V	[M]
C1104	F1H1E273A002	0.027uF 25V	[M]
C1105	F1H1H8210002	820pF 50V	[M]
C1106	F2A1H2R2A145	2.2uF 50V	[M]
C1107	F1H1H152A219	1500pF 50V	[M]
C1108	F2A1C100A147	10uF 16V	[M]
C1109	F2A1H3R3A145	3.3uF 50V	[M]
C1110	F1H1C104A042	0.1uF 16V	[M]
C1110	F1H1H152A219	1500pF 50V	[M]
C1121	F1H1H102A219	1000pF 50V	[M]
C1122	F1H1E103A029	0.01uF 25V	[M]
C1123	ECJ1VB1H271K	270pF 50V	[M]
C1201	F2A1H1R0A145	1.0uF 50V	[M]
C1202	F1H1H152A219	1500pF 50V	[M]
C1203	F2A1C101A147	100uF 16V	[M]
C1204	F1H1E273A002	0.027uF 25V	[M]
C1205	F1H1H8210002	820pF 50V	[M]
C1206	F2A1H2R2A145	2.2uF 50V	[M]
C1207	F1H1H152A219	1500pF 50V	[M]
C1208	F2A1C100A147	10uF 16V	[M]
C1209	F2A1H3R3A145	3.3uF 50V	[M]
C1210	F1H1H152A219	1500pF 50V	[M]
C1221	F1H1H102A219	1000pF 50V	[M]
C1222	F1H1E103A029	0.01uF 25V	[M]
C1223	ECJ1VB1H271K	270pF 50V	[M]
C1301	ECEA1HKA0R1B	0.1uF 50V	[M]
C1302	F1H1C333A071	0.033uF 16V	[M]
C1303	F1H1C333A071	0.033uF 16V	[M]
C1304	F2A1H4R7A234	4.7uF 50V	[M]
C1305	F2A1C330A234	33uF 16V	[M]
C1307	ECA1AAK221XQ	220uF 10V	[M]
C1308	F2A1C220A234	22uF 16V	[M]
C1311	F2A1C470A234	47uF 16V	[M]
C1312	F1H1H332A013	3300pF 50V	[M]
C1314	F1H1H222A013	2200pF 50V	[M]
C1315	F1H1H222A013	2200pF 50V	[M]
C1316	F1H1H102A219	1000pF 50V	[M]
C1317	F1H1H102A219	1000pF 50V	[M]
C1318	ECQV1H473JL3	0.047uF 50V	[M]
C1319	F2A1C101A147	100uF 16V	[M]
C1320	F2A1H100A214	10uF 50V	[M]
C1321	F0A2A472A019	4700pF 100V	[M]
C1323	ECEA1HKN010B	1uF 50V	[M]
C1324	F2A1C470A234	47uF 16V	[M]
C1326	F2A1C100A147	10uF 16V	[M]
C1371	F1H1E103A029	0.01uF 25V	[M]
C2002	F1H1H103A219	0.01uF 50V	[M]
C2005	F1H0J1050013	1uF 6.3V	[M]
C2006	F1H0J1050013	1uF 6.3V	[M]
C2007	F1H1H101A720	100pF 50V	[M]
C2008	F1H1H101A720	100pF 50V	[M]
C2024	F1H1H102A219	1000pF 50V	[M]
C2025	F1H0J1050013	1uF 6.3V	[M]
C2026	F1H0J1050013	1uF 6.3V	[M]
C2027	F1H1H102A219	1000pF 50V	[M]
C2041	F1H1H102A219	1000pF 50V	[M]

Ref. No.	Part No.	Part Name & Description	Remarks
C2042	F1H1H102A219	1000pF 50V	[M]
C2045	F1H0J1050013	1uF 6.3V	[M]
C2046	F1H0J1050013	1uF 6.3V	[M]
C2053	F1H1H102A219	1000pF 50V	[M]
C2054	F1H1H103A219	0.01uF 50V	[M]
C2056	F1H1H103A219	0.01uF 50V	[M]
C2065	F1H0J1050013	1uF 6.3V	[M]
C2066	F1H0J1050013	1uF 6.3V	[M]
C2085	F1H0J1050013	1uF 6.3V	[M]
C2086	F1H0J1050013	1uF 6.3V	[M]
C2105	F2A1H4R7A213	4.7uF 50V	[M]
C2106	F2A1H4R7A213	4.7uF 50V	[M]
C2121	F1H1H222A219	2200pF 50V	[M]
C2170	F2A1A330A159	33uF 10V	[M]
C2172	F2A1H4R7A213	4.7uF 50V	[M]
C2181	F2A1H1R0A213	1.0uF 50V	[M]
C2182	F2A1H1R0A213	1.0uF 50V	[M]
C2183	ECQV1H684JL3	0.68uF 50V	[M]
C2184	ECQV1H684JL3	0.68uF 50V	[M]
C2185	ECQV1H684JL3	0.68uF 50V	[M]
C2186	ECQV1H684JL3	0.68uF 50V	[M]
C2187	F1H1H392A013	3900pF 50V	[M]
C2188	F1H1H392A013	3900pF 50V	[M]
C2189	F1H1H103A219	0.01uF 50V	[M]
C2190	F1H1H103A219	0.01uF 50V	[M]
C2191	F1H1H103A219	0.01uF 50V	[M]
C2192	F1H1H103A219	0.01uF 50V	[M]
C2193	F1H1C473A088	0.047uF 16V	[M]
C2194	F1H1C473A088	0.047uF 16V	[M]
C2195	F1H1C474A008	0.47uF 16V	[M]
C2196	F1H1C474A008	0.47uF 16V	[M]
C2197	F1H1H332A013	3300pF 50V	[M]
C2221	F1H1H222A219	2200pF 50V	[M]
C2222	F1H1H101A720	100pF 50V	[M]
C2301	F2A1H3R3A213	3.3uF 50V	[M]
C2302	F2A1H3R3A213	3.3uF 50V	[M]
C2303	F2A1H3R3A213	3.3uF 50V	[M]
C2304	F2A1H3R3A213	3.3uF 50V	[M]
C2305	F2A1H3R3A213	3.3uF 50V	[M]
C2306	F1H1C823A001	0.082uF 16V	[M]
C2307	F1H1C3330001	0.033uF 16V	[M]
C2308	F1H0J1050013	1uF 6.3V	[M]
C2311	F1H0J1050013	1uF 6.3V	[M]
C2312	F1H0J1050013	1uF 6.3V	[M]
C2313	F1H1E2730002	0.027uF 25V	[M]
C2315	F1H0J1050013	1uF 6.3V	[M]
C2316	F1H0J1050013	1uF 6.3V	[M]
C2321	F1H1H470A004	47pF 50V	[M]
C2322	F1H1H470A004	47pF 50V	[M]
C2323	D0GBR00JA008	0 1/16W	[M]
C2324	D0GBR00JA008	0 1/16W	[M]
C2341	F1H1H100A017	10pF 50V	[M]
C2342	F1H1H100A017	10pF 50V	[M]
C2357	F1H1H102A219	1000pF 50V	[M]
C2358	F1H1H102A219	1000pF 50V	[M]
C2365	ECEA1EKN4R7B	4.7uF 25V	[M]
C2371	F1H1H101A720	100pF 50V	[M]
C2374	F1H1H103A219	0.01uF 50V	[M]
C2375	F1H1H101A720	100pF 50V	[M]
C2376	F1H1C104A042	0.1uF 16V	[M]
C2378	F1H0J1050013	1uF 6.3V	[M]
C2379	F1H0J1050013	1uF 6.3V	[M]
C2380	F1H1H103A219	0.01uF 50V	[M]
C2501	F1H0J1050013	1uF 6.3V	[M]
C2503	F1H1A225A051	2.2uF 10V	[M]
C2505	F2A1C100A207	10uF 16V	[M]
C2507	F1H1A224A007	0.22uF 10V	[M]
C2509	F2A1A330A159	33uF 10V	[M]
C2561	D0GBR00JA017	0 1/10W	[M]
C2614	F2A1C100A207	10uF 16V	[M]
C2626	F1H1H101A720	100pF 50V	[M]
C2680	F1H1C104A042	0.1uF 16V	[M]
C2681	F2A0J470A167	47uF 6.3V	[M]
C2701	F1H1H103A219	0.01uF 50V	[M]

Ref. No.	Part No.	Part Name & Description	Remarks
C2702	F2A1E102A207	1000uF 25V	[M]
C2703	EEUFC0J821B	820uF 6.3V	[M]
C2704	F1H1H103A219	0.01uF 50V	[M]
C2705	F1H1H101A720	100pF 50V	[M]
C2706	F1H1H103A219	0.01uF 50V	[M]
C2707	F2A0J101A181	100uF 6.3V	[M]
C2712	F2A1A330A159	33uF 10V	[M]
C2713	F2A0J470A167	47uF 6.3V	[M]
C2714	F1H1H103A219	0.01uF 50V	[M]
C2715	F1H1H103A219	0.01uF 50V	[M]
C2722	F1H1H103A219	0.01uF 50V	[M]
C2724	F1H1H103A219	0.01uF 50V	[M]
C2731	F2A1C470A180	47uF 16V	[M]
C2732	F1H1H103A219	0.01uF 50V	[M]
C2734	F1H1H103A219	0.01uF 50V	[M]
C2735	F2A1A330A159	33uF 10V	[M]
C2736	F1H1H103A219	0.01uF 50V	[M]
C2737	F2A1C470A180	47uF 16V	[M]
C2738	F1H1H103A219	0.01uF 50V	[M]
C2741	F1H1C104A042	0.1uF 16V	[M]
C2742	F1H1C104A042	0.1uF 16V	[M]
C2743	F1H1H103A219	0.01uF 50V	[M]
C2751	F1H1H103A219	0.01uF 50V	[M]
C2753	F1H1H103A219	0.01uF 50V	[M]
C2754	F2A1C101A208	100uF 16V	[M]
C2755	F1H1H103A219	0.01uF 50V	[M]
C2756	F2A1A330A159	33uF 10V	[M]
C2762	F1H1H103A219	0.01uF 50V	[M]
C2763	F1H1H103A219	0.01uF 50V	[M]
C2764	F2A1C101A208	100uF 16V	[M]
C2765	F2A1C100A207	10uF 16V	[M]
C2766	F1H1H103A219	0.01uF 50V	[M]
C2767	F2A1A330A159	33uF 10V	[M]
C2768	F1H1H103A219	0.01uF 50V	[M]
C2800	F1H1C104A042	0.1uF 16V	[M]
C2802	ECQB1H392KF3	3900pF 50V	[M]
C2812	F1H0J1050013	1uF 6.3V	[M]
C2813	F2A1H3R3A213	3.3uF 50V	[M]
C2815	F1H1H220A004	22pF 50V	[M]
C2816	F1H1H180A230	18pF 50V	[M]
C2817	F1H1C104A042	0.1uF 16V	[M]
C2818	F1H1H103A219	0.01uF 50V	[M]
C2819	F1H1H103A219	0.01uF 50V	[M]
C2829	F1H1H102A219	1000pF 50V	[M]
C2834	F1H1H101A720	100pF 50V	[M]
C2835	F1H1H101A720	100pF 50V	[M]
C2837	F1H1C104A042	0.1uF 16V	[M]
C2900	F2A1V330A379	33uF 35V	[M]
C2901	F2A0J470A167	47uF 6.3V	[M]
C2902	F2A1H4R7A213	4.7uF 50V	[M]
C2903	F1H1H471A219	470pF 50V	[M]
C2904	F2A0J470A167	47uF 6.3V	[M]
C2905	F1H1H102A219	1000pF 50V	[M]
C2906	F1H1H470A004	47pF 50V	[M]
C2907	F1H1H470A004	47pF 50V	[M]
C2908	F1H1H103A219	0.01uF 50V	[M]
C2910	F1H1H561A013	560pF 50V	[M]
C2912	ECEA1CKS101B	100uF 16V	[M]
C2913	F2A1V330A379	33uF 35V	[M]
C2929	F2A0J101A181	100uF 6.3V	[M]
C2930	F1H1H103A219	0.01uF 50V	[M]
C2931	F2A1A330A159	33uF 10V	[M]
C2932	F1H1H103A219	0.01uF 50V	[M]
C2941	F2A1C470A180	47uF 16V	[M]
C2942	F1H1C104A042	0.1uF 16V	[M]
C2944	F1H1H102A219	1000pF 50V	[M]
C2946	F1H1H103A219	0.01uF 50V	[M]
C2947	F2A0J101A181	100uF 6.3V	[M]
C2948	F2A0J221A181	220uF 6.3V	[M]
C2949	F2A1H2R2A234	2.2uF 50V	[M]
C2951	F1H0J1050013	1uF 6.3V	[M]
C2952	F1H0J1050013	1uF 6.3V	[M]
C2953	F1H1H102A219	1000pF 50V	[M]
C2954	F1H1H102A219	1000pF 50V	[M]

Ref. No.	Part No.	Part Name & Description	Remarks
C2955	F2A0J101A013	100uF 6.3V	[M]
C2961	F1H1H102A219	1000pF 50V	[M]
C2963	F1H1C104A042	0.1uF 16V	[M]
C2965	F2A1C470A180	47uF 16V	[M]
C2966	F1H1C104A042	0.1uF 16V	[M]
C2967	F2A0J221A181	220uF 6.3V	[M]
C3105	F1H0J1050013	1uF 6.3V	[M]
C3106	F1H0J1050013	1uF 6.3V	[M]
C3107	F1H1H682A219	6800pF 50V	[M]
C3108	F1H1H682A219	6800pF 50V	[M]
C3109	DOGBR00JA008	0 1/16W	[M]
C3110	DOGBR00JA008	0 1/16W	[M]
C3114	F1H1H470A004	47pF 50V	[M]
C3115	F1H1H470A004	47pF 50V	[M]
C3116	F1H1H561A013	560pF 50V	[M]
C3117	F1H1H103A219	0.01uF 50V	[M]
C3601	F2A1C221A019	220uF 16V	[M]
C3603	F1H1C104A042	0.1uF 16V	[M]
C3701	F2A1H1R0A213	1.0uF 50V	[M]
C3702	F2A1H1R0A213	1.0uF 50V	[M]
C4006	F1H1H103A219	0.01uF 50V	[M]
C4011	DOGDR00JA017	0 1/10W	[M]
C5000	ECJ1VB1H102K	1000pF 50V	[M]
C5001	ECJ1VB1H102K	1000pF 50V	[M]
C5002	F1H1A474A001	0.47uF 10V	[M]
C5003	F1H1A474A001	0.47uF 10V	[M]
C5004	F1H1A474A001	0.47uF 10V	[M]
C5005	F1H1A474A001	0.47uF 10V	[M]
C5006	ECJ1VB1H331K	330pF 50V	[M]
C5007	ECJ1VB1H331K	330pF 50V	[M]
C5008	ECJ1VB1H153K	0.015uF 50V	[M]
C5009	ECJ1VB1H153K	0.015uF 50V	[M]
C5010	ECJ2VC2A221J	220pF 100V	[M]
C5011	ECJ2VC2A221J	220pF 100V	[M]
C5012	ECJ2VC2A221J	220pF 100V	[M]
C5013	ECJ2VC2A221J	220pF 100V	[M]
C5014	ECQV1H684JL3	0.68uF 50V	[M]
C5015	ECQV1H684JL3	0.68uF 50V	[M]
C5016	ECJ1VB1H104K	0.1uF 50V	[M]
C5017	ECJ1VB1H104K	0.1uF 50V	[M]
C5018	FLK2A1040007	0.1uF 100V	[M]
C5019	ECJ1VB1H104K	0.1uF 50V	[M]
C5020	ECJ1VB1H104K	0.1uF 50V	[M]
C5021	ECJ1VB1H104K	0.1uF 50V	[M]
C5022	ECJ1VB1H104K	0.1uF 50V	[M]
C5023	FLK2A1040007	0.1uF 100V	[M]
C5024	ECJ1VB1H104K	0.1uF 50V	[M]
C5025	ECJ1VB1H104K	0.1uF 50V	[M]
C5028	ECJ1VB1H104K	0.1uF 50V	[M]
C5030	ECJ1VC1H221J	220pF 50V	[M]
C5031	ECJ1VB1C224K	0.22uF 16V	[M]
C5032	ECJ1VB1H102K	1000pF 50V	[M]
C5033	ECJ1VB1H104K	0.1uF 50V	[M]
C5040	F2A2A2200035	22uF 100V	[M]
C5050	ECJ1VB1H104K	0.1uF 50V	[M]
C5051	ECJ1VB1H104K	0.1uF 50V	[M]
C5052	ECJ1VB1H104K	0.1uF 50V	[M]
C5053	ECJ1VB1H104K	0.1uF 50V	[M]
C5106	F1H1A474A001	0.47uF 10V	[M]
C5107	F1H1A474A001	0.47uF 10V	[M]
C5117	ECJ1VB1H102K	1000pF 50V	[M]
C5119	ECJ1VB1H102K	1000pF 50V	[M]
C5120	F1H1A474A001	0.47uF 10V	[M]
C5121	F1H1A474A001	0.47uF 10V	[M]
C5133	F2A0J101A245	100uF 6.3V	[M]
C5150	ECJ1VB1H102K	1000pF 50V	[M]
C5151	ECJ1VB1H102K	1000pF 50V	[M]
C5152	ECJ1VB1H102K	1000pF 50V	[M]
C5155	ECJ1VB1H102K	1000pF 50V	[M]
C5200	ECJ1VB1H104K	0.1uF 50V	[M]
C5201	ECJ1VB1H153K	0.015uF 50V	[M]
C5202	ECJ1VB1C224K	0.22uF 16V	[M]
C5203	ECJ2VC2A221J	220pF 100V	[M]
C5204	ECJ1VB1H153K	0.015uF 50V	[M]

Ref. No.	Part No.	Part Name & Description	Remarks
C5205	ECJ2VC2A221J	220pF 100V	[M]
C5206	ECJ1VB1H104K	0.1uF 50V	[M]
C5207	F1K2A1040007	0.1uF 100V	[M]
C5208	ECJ1VB1H104K	0.1uF 50V	[M]
C5209	ECJ1VB1H104K	0.1uF 50V	[M]
C5211	ECJ2VC2A221J	220pF 100V	[M]
C5212	ECJ1VC1H221J	220pF 50V	[M]
C5213	ECJ1VB1H104K	0.1uF 50V	[M]
C5214	ECJ1VB1H104K	0.1uF 50V	[M]
C5216	ECJ1VB1H331K	330pF 50V	[M]
C5217	ECJ1VB1H104K	0.1uF 50V	[M]
C5218	ECJ2VC2A221J	220pF 100V	[M]
C5219	F1K2A1040007	0.1uF 100V	[M]
C5221	ECJ1VB1H102K	1000pF 50V	[M]
C5222	F1H1A474A001	0.47uF 10V	[M]
C5223	F1H1A474A001	0.47uF 10V	[M]
C5224	ECJ1VB1H331K	330pF 50V	[M]
C5225	ECQV1H684JL3	0.68uF 50V	[M]
C5226	ECJ1VB1H104K	0.1uF 50V	[M]
C5227	ECJ1VB1H104K	0.1uF 50V	[M]
C5228	ECQV1H684JL3	0.68uF 50V	[M]
C5231	ECJ1VB1H102K	1000pF 50V	[M]
C5232	F1H1A474A001	0.47uF 10V	[M]
C5233	F1H1A474A001	0.47uF 10V	[M]
C5234	ECJ1VB1H102K	1000pF 50V	[M]
C5240	F2A2A2200035	22uF 100V	[M]
C5250	ECJ1VB1H104K	0.1uF 50V	[M]
C5251	ECJ1VB1H104K	0.1uF 50V	[M]
C5400	ECQV1H684JL3	0.68uF 50V	[M]
C5401	ECJ1VB1H104K	0.1uF 50V	[M]
C5402	ECJ1VB1H104K	0.1uF 50V	[M]
C5403	ECJ1VB1H104K	0.1uF 50V	[M]
C5404	ECJ1VB1H331K	330pF 50V	[M]
C5406	ECJ1VB1H104K	0.1uF 50V	[M]
C5407	ECJ2VC2A221J	220pF 100V	[M]
C5409	ECJ1VB1H104K	0.1uF 50V	[M]
C5410	F1K2A1040007	0.1uF 100V	[M]
C5411	ECJ2VC2A221J	220pF 100V	[M]
C5412	ECJ1VB1H331K	330pF 50V	[M]
C5413	ECJ1VB1H104K	0.1uF 50V	[M]
C5416	ECJ1VB1A474K	0.47uF 10V	[M]
C5418	ECJ1VB1H104K	0.1uF 50V	[M]
C5419	F1K2A1040007	0.1uF 100V	[M]
C5421	ECJ1VB1C224K	0.22uF 16V	[M]
C5422	ECJ1VB1H153K	0.015uF 50V	[M]
C5423	ECJ1VC1H221J	220pF 50V	[M]
C5424	ECJ1VB1H153K	0.015uF 50V	[M]
C5425	ECJ2VC2A221J	220pF 100V	[M]
C5426	ECJ2VC2A221J	220pF 100V	[M]
C5427	ECJ1VB1H104K	0.1uF 50V	[M]
C5428	ECQV1H684JL3	0.68uF 50V	[M]
C5431	ECJ1VB1H102K	1000pF 50V	[M]
C5440	F2A2A2200035	22uF 100V	[M]
C5445	ECJ1VB1H104K	0.1uF 50V	[M]
C5450	ECJ1VB1H104K	0.1uF 50V	[M]
C5508	F2A1V4710074	470uF 35V	[M]
C5509	F2A1V4710074	470uF 35V	[M]
C5510	F2A1V4710074	470uF 35V	[M]
C5511	F2A1V4710074	470uF 35V	[M]
C5512	F2A1V4710074	470uF 35V	[M]
C5513	F2A1V4710074	470uF 35V	[M]
C5514	ECJ1VB1H104K	0.1uF 50V	[M]
C5515	ECJ1VB1H104K	0.1uF 50V	[M]
C5516	F2A1V4710074	470uF 35V	[M]
C5517	F2A1V4710074	470uF 35V	[M]
C5518	ECJ1VB1H104K	0.1uF 50V	[M]
C5519	ECJ1VB1H104K	0.1uF 50V	[M]
C5520	ECJ1VB1H104K	0.1uF 50V	[M]
C5521	ECJ1VB1H104K	0.1uF 50V	[M]
C5522	ECJ1VB1H104K	0.1uF 50V	[M]
C5523	ECJ1VB1H104K	0.1uF 50V	[M]
C5524	ECJ1VB1H104K	0.1uF 50V	[M]
C5525	ECJ1VB1H104K	0.1uF 50V	[M]
C5540	F2A2A2200035	22uF 100V	[M]

Ref. No.	Part No.	Part Name & Description	Remarks
C5550	ECJ1VB1H103K	0.01uF 50V	[M]
C5551	ECJ1VB1H391K	390pF 50V	[M]
C5552	ECJ1VB1H391K	390pF 50V	[M]
C5553	ECJ1VC1H101J	100pF 50V	[M]
C5554	ECJ1VB1H104K	0.1uF 50V	[M]
C5555	F1K1C1060001	10uF 16V	[M]
C5556	ECJ1VB1H103K	0.01uF 50V	[M]
C5557	ECJ1VC1H101J	100pF 50V	[M]
C5558	ECJ1VC1H470J	47pF 50V	[M]
C5559	ECJ1VC1H470J	47pF 50V	[M]
C5560	ECJ1VB1H104K	0.1uF 50V	[M]
C5561	ECJ1VC1H101J	100pF 50V	[M]
C5562	F2A0J102A016	1000uF 6.3V	[M]
C5602	ECA1CAK100XB	10uF 16V	[M]
C5700	F1BAF1020020	1000pF	[M] △
C5701	F0CAF334A087	0.33uF	[M] △
C5703	F0C2H1040001	0.1uF 500V	[M] △
C5704	F1BAF1020020	1000pF	[M] △
C5705	F1BAF1020020	1000pF	[M] △
C5706	F1BAF1020020	1000pF	[M] △
C5707	F1BAF1020020	1000pF	[M] △
C5712	F2B2G331A084	330uF 400V	[M]
C5713	F0C2J1030005	0.01uF 630V	[M]
C5720	ECJ1VB1H104K	0.1uF 50V	[M]
C5721	ECJ1VB1H221K	220pF 50V	[M]
C5722	ECJ1VB1H102K	1000pF 50V	[M]
C5723	ECJ1VB1H471K	470pF 50V	[M]
C5724	F2A1H5600009	56uF 50V	[M]
C5725	ECJ1VB1H104K	0.1uF 50V	[M]
C5726	ECJ1VB1H104K	0.1uF 50V	[M]
C5728	ECJ1VB1H102K	1000pF 50V	[M]
C5730	ECEA1HKS010B	1uF 50V	[M]
C5737	F1A3A471A035	470pF 1000V	[M]
C5790	ECJ3YB2J222K	2200pF 630V	[M]
C5791	ECEA1HKA2R2B	2.2uF 50V	[M]
C5794	ECJ1VC1H220J	22pF 50V	[M]
C5795	F1J1H473A022	0.047uF 50V	[M]
C5796	F1J1H104A717	0.1uF 50V	[M]
C5797	F1A3A470A023	47pF 1000V	[M]
C5798	F2A1H5600009	56uF 50V	[M]
C5800	F1J2E1030004	0.01uF 250V	[M]
C5801	F1J2E1030004	0.01uF 250V	[M]
C5802	F1J2E1030004	0.01uF 250V	[M]
C5803	F1J2E1030004	0.01uF 250V	[M]
C5804	F1J2E1030004	0.01uF 250V	[M]
C5805	F2B1V332A007	3300uF 35V	[M]
C5808	F2B1V332A007	3300uF 35V	[M]
C5810	ECJ1VB1H104K	0.1uF 50V	[M]
C5811	F1J2E1030004	0.01uF 250V	[M]
C5812	ECJ1VB1H104K	0.1uF 50V	[M]
C5813	F2A1V4710035	470uF 35V	[M]
C5815	ECJ1VB1H104K	0.1uF 50V	[M]
C5816	F2A1E471A652	470uF 25V	[M]
C5817	F2A2AR22A358	0.22uF 100V	[M]
C5818	ECJ1VB1H104K	0.1uF 50V	[M]
C5819	F1J2E1030004	0.01uF 250V	[M]
C5820	F1J2E1030004	0.01uF 250V	[M]
C5821	F1J2E1030004	0.01uF 250V	[M]
C5822	F1J2E1030004	0.01uF 250V	[M]
C5823	ECJ1VB1H104K	0.1uF 50V	[M]
C5824	F2A1E471A652	470uF 25V	[M]
C5825	ECJ1VB1H104K	0.1uF 50V	[M]
C5826	F1J2E1030004	0.01uF 250V	[M]
C5831	ECJ1VB1H104K	0.1uF 50V	[M]
C5832	ECJ1VB1H104K	0.1uF 50V	[M]
C5839	F1J2E1030004	0.01uF 250V	[M]
C5840	F1J2E1030004	0.01uF 250V	[M]
C5841	F1J2E1030004	0.01uF 250V	[M]
C5842	F1J2E1030004	0.01uF 250V	[M]
C5869	ECJ1VB1H104K	0.1uF 50V	[M]
C5870	F1H1H104A013	0.1uF 50V	[M]
C5896	ECJ1VB1H104K	0.1uF 50V	[M]
C5897	ECJ1VB1H104K	0.1uF 50V	[M]
C5898	ECJ1VB1H104K	0.1uF 50V	[M]

Ref. No.	Part No.	Part Name & Description	Remarks
C5899	F2A1C221A104	220uF 16V	[M]
C6300	F1H1H102A219	1000pF 50V	[M]
C6503	F1H1H102A219	1000pF 50V	[M]
C6512	F1H1H102A219	1000pF 50V	[M]
C6601	F1H1H101A720	100pF 50V	[M]
C6608	F1H1H104A013	0.1uF 50V	[M]
C6609	F1H1H104A013	0.1uF 50V	[M]
C6611	F1H1H331A013	330pF 50V	[M]
C6612	F1H1H331A013	330pF 50V	[M]
C6613	F1H1H331A013	330pF 50V	[M]
C6614	F1H1H103A219	0.01uF 50V	[M]
C6616	F2A1H220A182	22uF 50V	[M]
C6633	F1H1H101A720	100pF 50V	[M]
C6634	F1H1H101A720	100pF 50V	[M]
C6671	F2A1H220A182	22uF 50V	[M]
C6801	F1H1H473A783	0.047uF 50V	[M]
C6802	F1H1H473A783	0.047uF 50V	[M]
C6803	F1H1C104A042	0.1uF 16V	[M]
C6804	F1H1C104A042	0.1uF 16V	[M]
C6810	ECJ1VB1H391K	390pF 50V	[M]
C6811	F1H0J1050013	1uF 6.3V	[M]
C6812	F1H0J1050013	1uF 6.3V	[M]
C6813	F1H1H331A013	330pF 50V	[M]
C6814	F1H1H331A013	330pF 50V	[M]
C6815	F1H1H103A219	0.01uF 50V	[M]
C6816	F1H1H103A219	0.01uF 50V	[M]
C6820	ECJ1VB1H391K	390pF 50V	[M]
C6821	F1H1H103A219	0.01uF 50V	[M]
C6822	F1H1H103A219	0.01uF 50V	[M]
C6823	F1H1H103A219	0.01uF 50V	[M]
C6851	F1H1C104A042	0.1uF 16V	[M]
C6852	F1H1H102A219	1000pF 50V	[M]
C6861	F1H1H102A219	1000pF 50V	[M]
C6863	F1H1C104A042	0.1uF 16V	[M]
C6938	F1H1C104A042	0.1uF 16V	[M]
C6940	F1H1C104A042	0.1uF 16V	[M]
C7102	F1H1A474A025	0.47uF 10V	[M]
C7107	ECJ1VB1H223K	0.022uF 50V	[M]
C7142	ECJ1VB1H332K	3300pF 50V	[M]
C7154	ECJ1VB1C104K	0.1uF 16V	[M]
C7155	ECJ1VB1C104K	0.1uF 16V	[M]
C7161	ECJ1VB1C104K	0.1uF 16V	[M]
C7164	ECJ2FF1A106Z	10uF 10V	[M]
C7165	ECJ2FF1A106Z	10uF 10V	[M]
C7166	F1H1H103A219	0.01uF 50V	[M]
C7203	F2A0J221A200	220uF 6.3V	[M]
C7204	ECJ1VB1C104K	0.1uF 16V	[M]
C7216	ECJ1VB1H681K	680pF 50V	[M]
C7217	ECJ1VB1C104K	0.1uF 16V	[M]
C7218	ECJ1VB1C823K	0.082uF 16V	[M]
C7221	ECJ1VC1H150J	15pF 50V	[M]
C7222	ECJ1VC1H150J	15pF 50V	[M]
C7223	F2A1H4R70037	4.7uF 50V	[M]
C7225	F1H1H102A219	1000pF 50V	[M]
C7226	F1H1H102A219	1000pF 50V	[M]
C7227	ECA1HAK010XI	1uF 50V	[M]
C7228	ECA1HAK010XI	1uF 50V	[M]
C7230	ECJ1VB1C104K	0.1uF 16V	[M]
C7231	F2A0J221A200	220uF 6.3V	[M]
C7232	F2A0J221A200	220uF 6.3V	[M]
C7233	F1H1C104A008	0.1uF 16V	[M]
C7234	ECJ1VB1C104K	0.1uF 16V	[M]
C7235	F2A1C100A133	10uF 16V	[M]
C7241	F1H1H102A219	1000pF 50V	[M]
C7243	F1H1C104A008	0.1uF 16V	[M]
C7244	ECJ1VB1C153K	0.015uF 16V	[M]
C7253	F1H1H471A219	470pF 50V	[M]
C7263	ECJ1VB1C104K	0.1uF 16V	[M]
C7264	ECJ1VB1C104K	0.1uF 16V	[M]
C7315	F1H1A474A025	0.47uF 10V	[M]
C7334	ECEA1AKA221I	220uF 10V	[M]
C7335	F1H1C104A008	0.1uF 16V	[M]
C7338	ECJ1VB1E273K	0.027uF 25V	[M]
C7339	ECJ1VB1C183K	0.018uF 16V	[M]

Ref. No.	Part No.	Part Name & Description	Remarks
C7352	ECJ1VB1C183K	0.018uF 16V	[M]
C7601	ECEA0JKA330I	33uF 6.3V	[M]
C7613	ECJ1VB1C104K	0.1uF 16V	[M]
C7614	F2A0J101A198	100uF 6.3V	[M]
C7626	ECJ1VB1C104K	0.1uF 16V	[M]
C7670	ECJ1VB1C104K	0.1uF 16V	[M]