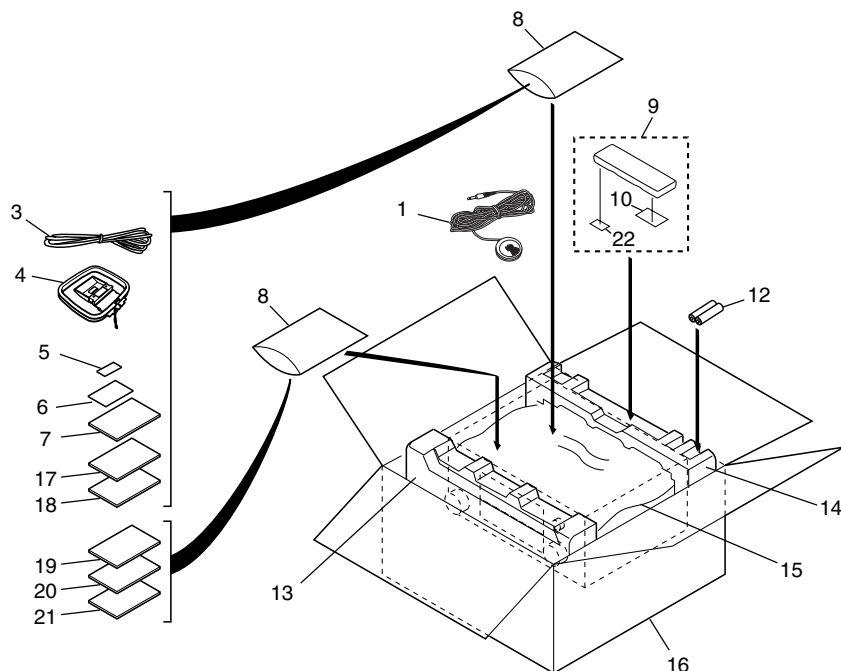


2. EXPLODED VIEWS AND PARTS LIST

- NOTES:**
- Parts marked by "NSP" are generally unavailable because they are not in our Master Spare Parts List.
 - The \triangle mark found on some component parts indicates the importance of the safety factor of the part. Therefore, when replacing, be sure to use parts of identical designation.
 - Screws adjacent to \blacktriangledown mark on product are used for disassembly.
 - For the applying amount of lubricants or glue, follow the instructions in this manual. (In the case of no amount instructions, apply as you think it appropriate.)

2.1 PACKING



(1) PACKING PARTS LIST

Mark No.	Description	Part No.	Mark No.	Description	Part No.
1	Setup Microphone	APM7006	NSP 12	AA/IEC LR6 Dry Cell Batteries	VEM1021
2		13	Front Pad V2	AHA7442
3	FM Wire Antenna	ADH7030	14	Rear Pad V2	AHA7443
4	AM Loop Antenna	ATB7013	15	Packing Sheet	RHC1023
5	Caution Sheet S,P,E	ARM7083	16	Packing Case	See Contrast table (2)
NSP 6	Warranty Card	ARY7065	17	Operating Instructions (Spanish)	ARC7575
7	Operating Instructions (English)	ARB7327	18	Operating Instructions (German)	ARC7573
NSP 8	Literature Bag	AHG7117	19	Operating Instructions (French)	ARC7574
9	Remote Control Unit	AXD7383	20	Operating Instructions (Dutch)	ARC7576
10	Battery Cover	XZN3140	21	Operating Instructions (Italian)	ARC7572
11		22	Label (WEEE)	ARW7322

(2) CONTRAST TABLE

VSX-1015-K/HYXJ and VSX-1015-S/HYXJ are constructed the same except for the following:

Mark	No.	Symbol and Description	VSX-1015-K /HYXJ	VSX-1015-S /HYXJ
	16	Packing Case 1015/BY	AHD8330	Not used
	16	Packing Case 1015/SY	Not used	AHD8329

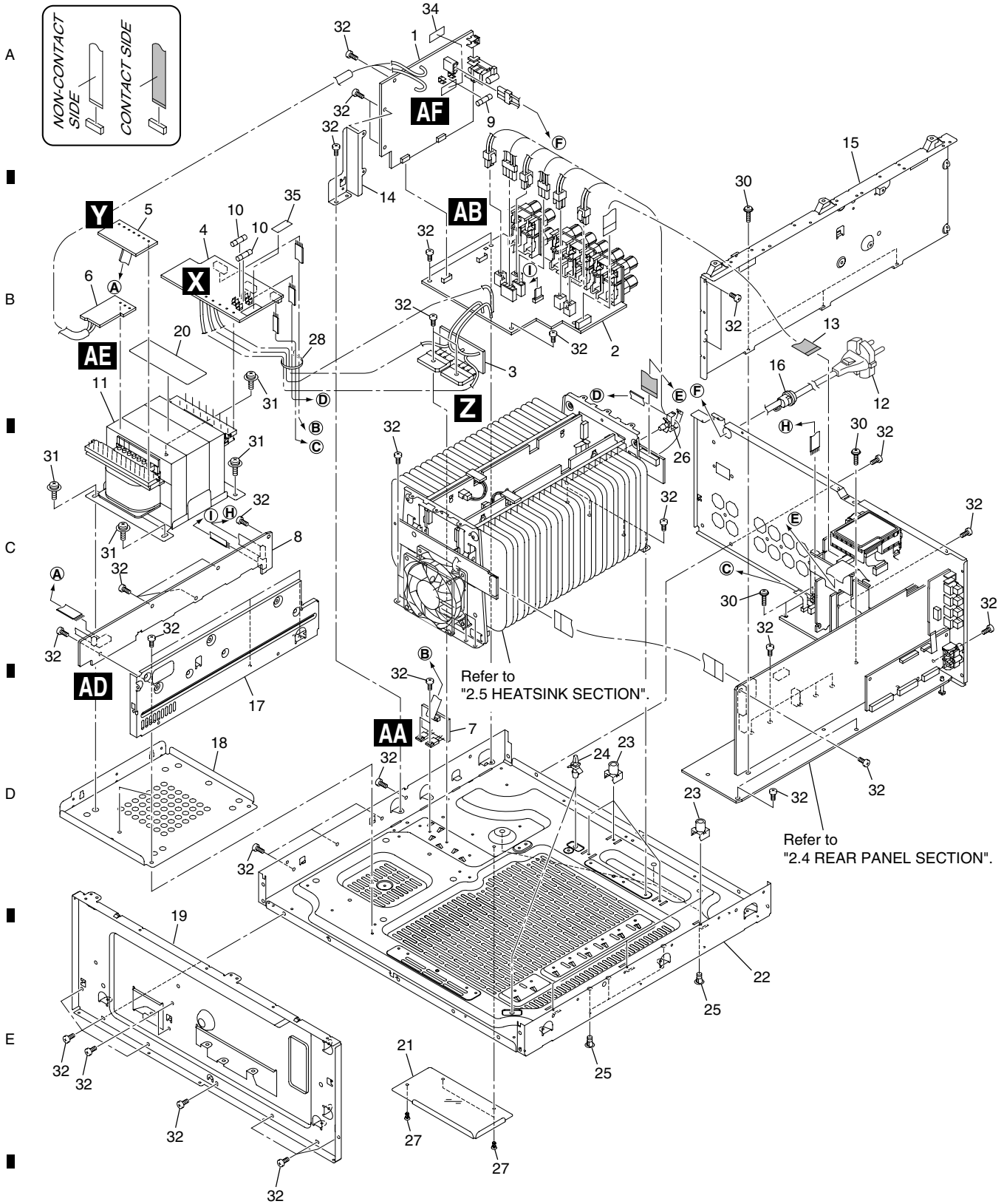
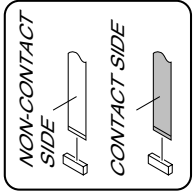
Mark No.	Description	Part No.	Mark No.	Description	Part No.
1	Bonnet Case	See Contrast table (2)	8	•••••	
2	Left Beam	ANG7401	9	•••••	
3	Center Beam	ANG7482	10	Screw	See Contrast table (2)
4	Insulator	PNW2766			
5	Spacer (4.5 x 10 x 20)	AEB7355	11	Screw	BBZ30P080FCC
			12	Label (DD/DTS/THX)	ARW7320
6	Spacer 45B (6 x 7 x 13)	AEB7264	13	Label (WEEE)	ARW7322
7	Nyron Rivet	AEC7408			

(2) CONTRAST TABLE

VSX-1015-K/HYXJ and VSX-1015-S/HYXJ are constructed the same except for the following:

Mark	No.	Symbol and Description	VSX-1015-K /HYXJ	VSX-1015-S /HYXJ
	1	Bonnet Case V1B	AZN7980	Not used
	1	Bonnet Case V1S	Not used	AZN7981
	10	Screw	BBZ40P080FTB	BBZ40P080FNI

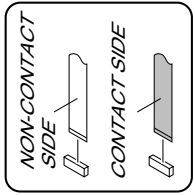
2.3 CHASSIS SECTION



(1) CHASSIS SECTION PARTS LIST

Mark No.	Description	Part No.	
1	PRIMARY Assy	AWX8386	
2	SP/PS Assy	AWX8375	A
NSP 3	DIODE Assy	AWX8376	
4	TRANS 2-1 Assy	AWX8372	
5	TRANS 2-2 Assy	AWX8371	
6	TRANS 1 Assy	AWX8383	
7	VH TR Assy	AWX8411	
NSP 8	TRANS SIDE Assy	AWX8417	
⚠ 9	Fuse (FU1 : T5A)	REK1029	
⚠ 10	Fuse (FU4, 5 : T2A)	REK1025	
⚠ 11	Power Transformer (T1501)	ATS7375	B
⚠ 12	Power Cable	VDG1080	
13	Flexible Cable (12P)	ADD7477	
14	Primary Angle 56	ANG7526	
15	DSP Shield A V1	ANG7479	
16	Cord Stopper	CM-22B	
17	Under Beam V1	ANG7478	
18	Trans. Frame 45	ANG7399	
NSP 19	Panel Stay V1	AND7066	
NSP 20	Trans. Label V1	AAX8052	C
21	Screw Cover 45A	AEC7414	
NSP 22	Under Base	ANA7161	
23	PCB Mold	AMR2534	
24	Locking Card Spacer	PNW2917	
25	Card Spacer	DNK2769	
26	Wire Saddle 5S	AEC7500	
27	Push Rivet	AEC7370	
NSP 28	Binder (BK-1)	ZCA-BK1	
29	•••••		
30	Screw	IBZ30P150FCC	D
31	Screw	ABA7109	
32	Screw	BBZ30P080FCC	
33	•••••		
NSP 34	Fuse Card	AAX7098	
NSP 35	Fuse Card	AAX2357	

2.4 REAR PANEL SECTION



A

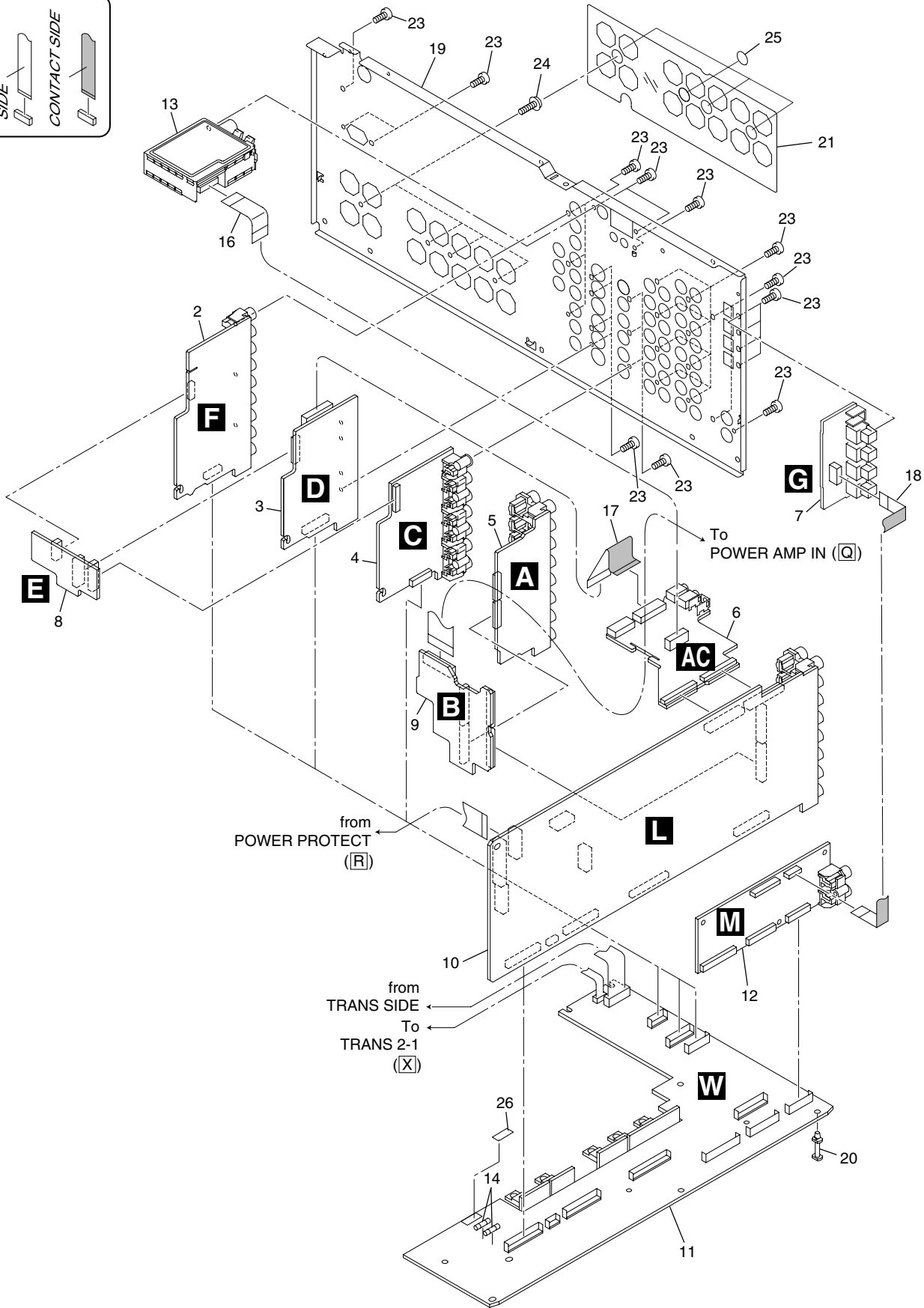
B

C

D

E

F



(1) REAR PANEL SECTION PARTS LIST

<u>Mark No.</u>	<u>Description</u>	<u>Part No.</u>	<u>Mark No.</u>	<u>Description</u>	<u>Part No.</u>
1		16	Flexible Cable (11P)	ADD7476
2	COMPONENT Assy	AWX8614	17	Flexible Cable (17P)	ADD7478
3	S VIDEO Assy	AWX8613	18	Flexible Cable (10P)	ADD7501
4	COMPOSITE V Assy	AWX8612	19	Rear Panel	See Contrast table (2)
5	MULTI CH I/O Assy	AWX8681	20	Card Spacer	AEC7502
6	REAR TOP Assy	AWX8399	21	Speaker Sheet V1	AAK8176
7	OPTICAL-IN Assy	AWX8682	22	
NSP 8	VIDEO SIDE Assy	AWX8609	23	Screw	BBZ30P080FCC
NSP 9	AUDIO CONNECT Assy	AWX8382	24	Screw	BBT30P100FCC
10	MAIN CONTROL Assy	AWX8611	25	Cushion Circle 14B	AED7081
11	REGULATOR Assy	AWX8679	NSP 26	Fuse Card	AAX2348
12	DSP Assy	AWX8572			
13	FM/AM TUNER Unit	AXX7170			
⚠ 14	Fuse (FU2501, 2502 : T1.25A)	REK1023			
15				

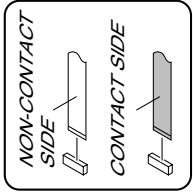
(2) CONTRAST TABLE

VSX-1015-K/HYXJ and VSX-1015-S/HYXJ are constructed the same except for the following:

Mark	No.	Symbol and Description	VSX-1015-K /HYXJ	VSX-1015-S /HYXJ
	19	Rear Panel 1015BY	ANC8318	Not used
	19	Rear Panel 1015SY	Not used	ANC8317

1 2 3 4

2.5 HEAT SINK SECTION



A

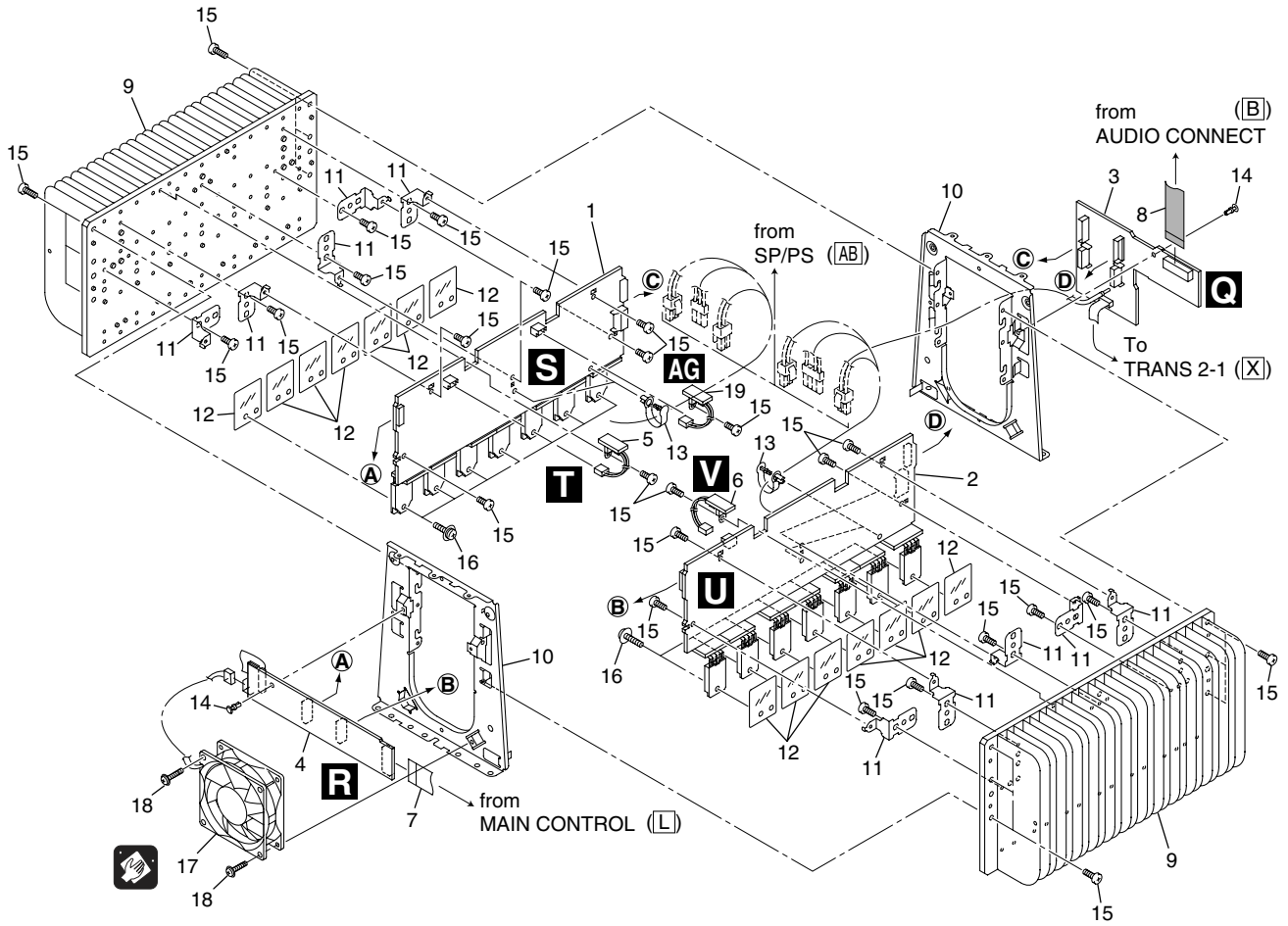
B

C

D

E

F



(1) HEAT SINK SECTION PARTS LIST

<u>Mark No.</u>	<u>Description</u>	<u>Part No.</u>	
1	POWER AMP-L Assy	AWX8403	
2	POWER AMP-R Assy	AWX8404	A
3	POWER AMP IN Assy	AWX8405	
4	POWER PROTECT Assy	AWX8407	
NSP 5	POSI 1 L Assy	AWX8536	
NSP 6	POSI 1 R Assy	AWX8539	
7	Flexible Cable (15P)	ADD7473	■
8	Flexible Cable (18P)	ADD7479	
NSP 9	Heat Sink 45	ANH7152	
10	H.S Angle V1	ANG7481	
11	PCB Angle 45	ANG7406	B
12	Mica Sheet 45	AEE7047	
NSP 13	Speed Clamp	AEC7445	
14	Nyron Rivet	AEC7408	
15	Screw	BBZ30P100FCC	■
16	Screw	ABA7085	■
⚠ 17	DC Fan Motor	AXM7029	
18	Screw	BBZ30P300FTC	
19	POSI 2 L ASSY	AWX8428	C

(1) FRONT PANEL SECTION PARTS LIST

<u>Mark No.</u>	<u>Description</u>	<u>Part No.</u>	<u>Mark No.</u>	<u>Description</u>	<u>Part No.</u>
NSP 1	MULTI JOG Assy	AWX8618	NSP 21	Earth Spring 35	ABH7193
2	DISPLAY Assy	AWX8616	22	Cushion 11 x 11	AED7088
NSP 3	VOLUME Assy	AWX8378	23	Door	See Contrast table (2)
NSP 4	HEADPHONE Assy	AWX8380	24	Door Base	See Contrast table (2)
5	FRONT-IN Assy	AWX8381	25	Door Shaft 35	AMR7295
NSP 6	FRONT-IN CONNECT Assy	AWX8416	26	Damper Assy (240)	AXA7136
7	Flexible Cable (15P)	ADD7473	27	Screw	ABA7110
8	Flexible Cable (26P)	ADD7474	28	Screw	BPZ30P100FTC
NSP 9	Earth Lead Wire	ADH7022	29	•••••	
10	Pioneer Badge	See Contrast table (2)	30	Deco Screw	ABA7060
11	F. Panel 1015KU	See Contrast table (2)	31	Nut	NK90FCC
12	Rotary Knob B	See Contrast table (2)			
13	Ring	ABH7213			
14	D. Sheet	See Contrast table (2)			
15	Window 1015 (PC)	AAK8299			
16	Cushion Circle	See Contrast table (2)			
17	Panel Base	See Contrast table (2)			
18	Magnet 35	AMF7007			
19	Standby Button	See Contrast table (2)			
20	Earth Plate A	ANG7484			

(2) CONTRAST TABLE

VSX-1015-K/HYXJ and VSX-1015-S/HYXJ are constructed the same except for the following:

Mark	No.	Symbol and Description	VSX-1015-K /HYXJ	VSX-1015-S /HYXJ
	10	Pioneer Badge	AAN7218	VAM1124
	11	F. Panel 1015BY	ANB7366	Not used
	11	F. Panel 1015SY	Not used	ANB7360
	12	Rotary Knob B	AAA7024	Not used
	12	Rotary Knob S	Not used	AAA7025
	14	D. Sheet 1014BY	AAK8183	Not used
	14	D. Sheet 1014SY	Not used	AAK8182
	16	Cushion Circle 6B	AED7083	Not used
	16	Cushion Circle 6S	Not used	AED7080
	17	Panel Base V1B	AMB7870	Not used
	17	Panel Base V1S	Not used	AMB7871
	19	Standby Button 915K ASSY	XAD3216	Not used
	19	Standby Button 915P ASSY	Not used	XAD3217
	23	Door 1015BY	ANB7363	Not used
	23	Door 1015SY	Not used	ANB7362
	24	Door Base V1B	AMR7477	Not used
	24	Door Base V1S	Not used	AMR7478