



Service Manual

Freestanding Cooling Combi

ARC 6670

Model Version		Page
ARC 6670		
8501 667 01003		
	Technical data	2
	Spare part list	3
	Exploded view	4
	Circuit and Wiring diagram	5
	Text/Legend	6

Technical data

Factory Code CB 351 W

Dimensions

Height	189.0	cm
Width	60.0	cm
Depth	65.0	cm

Capacity

Total		
gross	354	l
net	327	l

Cooling

gross	236	l
net	234	l

Freezing

gross	118	l
net	93	l

Electrical connection

Voltage	220 - 240	V
Frequency	50	Hz

Power consumption

in 24 hours	0.77	kWh
-------------	------	-----

Freezing capacity

in 24 hours	4.5	kg
-------------	-----	----

Compressor

Type	HTK 95 AA	
Capacity (CECOMAF)	125	W

Refrigerant

Type	R 600 a	
Quantity	52	g

Thermostat

Electronic

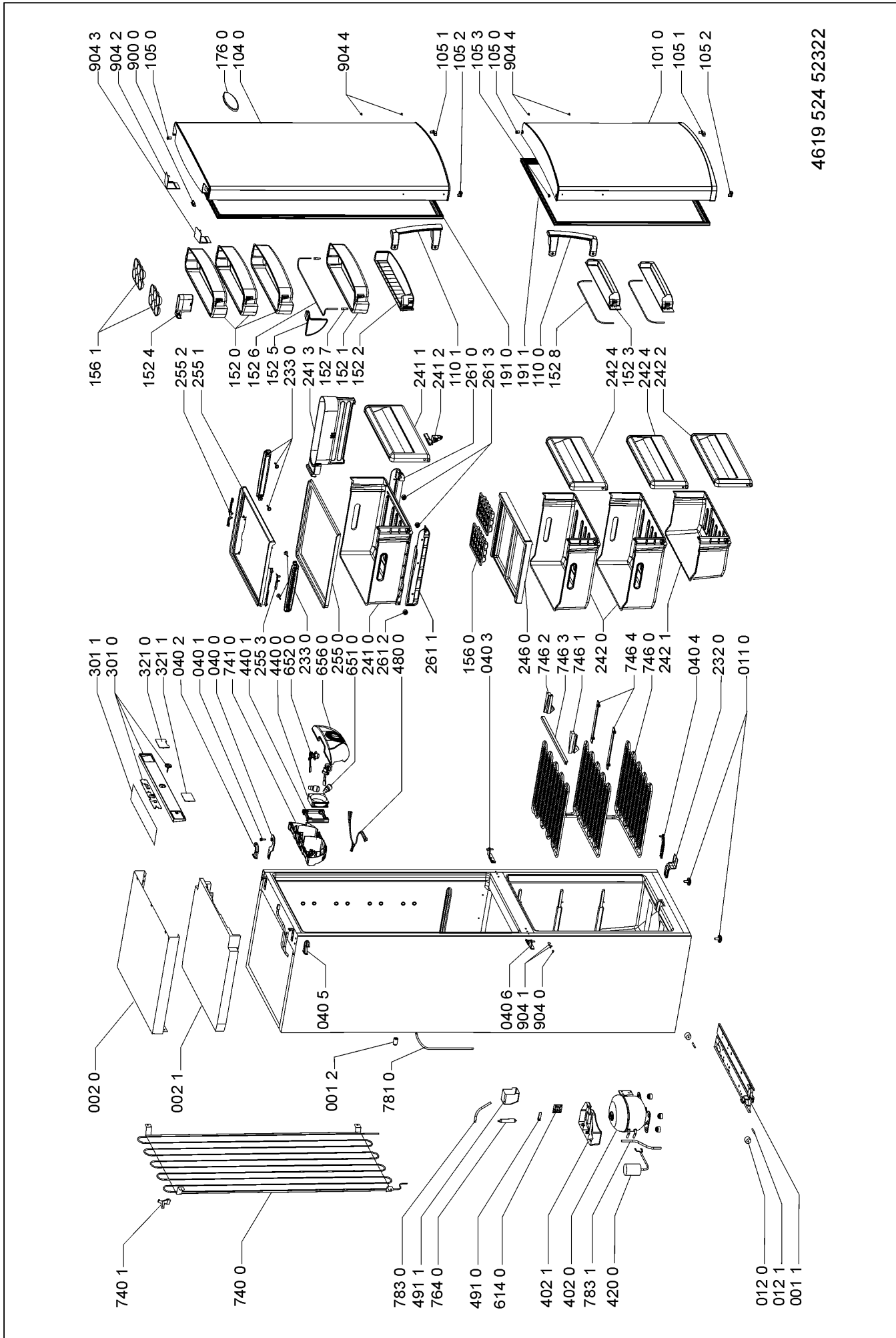
Spare part list

Model **ARC 6670**
Service No. **850166701003**
Version **850166701003**

Pos. No.	12NC Code	Description
001 1	4812 464 18147	Crosspiece, f.compressor
001 2	4812 525 18014	Guide
002 0	4812 464 18141	Cover
002 1	4812 157 48001	Spacer
011 0	4812 462 18263	Adjust. foot
012 0	4812 528 78062	Roller
012 1	4812 535 78074	Shaft
040 0	4812 417 19291	Hinge, upper, AL
040 1	4812 226 08025	Pin, hinge
040 2	4812 417 78135	Cover, hinge, right GW
040 3	4812 417 19292	Hinge, middle, right AL
040 4	4812 417 19369	Hinge, lower
040 5	4812 417 78136	Cover, hinge, left GW
040 6	4812 417 19362	Hinge, middle, left, zinc coat
101 0	4812 416 19564	Door, freezer, GW
104 0	4812 416 19593	Door, refrigerator, GW
105 0	4812 532 88064	Bushing
105 1	4812 532 88076	Sleeve, right
105 2	4812 532 88077	Sleeve, left
105 3	4812 226 08017	Plug
110 0	4812 498 18348	Handle, door
110 1	4812 498 58209	Handle, door
152 0	4812 418 28749	Door, dairy, upper with serigraphy
152 1	4812 418 28751	Bottle shelf, with serigraphy
152 2	4812 418 28753	Door, dairy, lower with serigraphy
152 3	4812 418 88754	Door, dairy, freezer with serigraphy
152 4	4812 418 28752	Bottle holder
152 5	4812 418 28748	Separator, for bottles
152 6	4812 526 48195	Rod, shelf, refrigerator
152 7	4812 404 78552	Bushing, door dairy
152 8	4812 526 48196	Rod, shelf, freezer
156 0	4812 418 28471	Icecube, tray
156 1	4812 418 28754	Rack, eggs
176 0	4812 459 18218	Nameplate
191 0	4812 466 68818	Magnetic seal
191 1	4812 466 68817	Magnetic seal
232 0	4812 171 58005	Overflood cond.
233 0	4812 462 38223	Rail, f.shelf
241 0	4812 418 79989	Crisper
241 1	4812 418 48742	Cover, crisper, with serigraphy
241 2	4812 418 89044	Air grid, f.crisper cover
241 3	4812 418 28747	Separator, for crisper
242 0	4812 418 68301	Drawer
242 1	4812 418 68299	Drawer
242 2	4812 418 48733	Cover, basket, with serigraphy
242 4	4812 418 48689	Cover, basket
246 0	4812 418 48743	Tray, f.icecubes with serigraphy
255 0	4812 450 88271	Glass shelf, bottom with serigraphy
255 1	4812 450 88272	Glass shelf, with serigraphy
255 2	4812 404 48932	Catch, right f.glass shelf
255 3	4812 404 48933	Catch, left f.glass shelf
261 0	4812 468 18336	Rail, right f.crisper
261 1	4812 468 18335	Rail, left f.crisper
261 2	4812 528 78073	Roller, rear f.crisper
261 3	4812 528 78074	Roller, front f.crisper

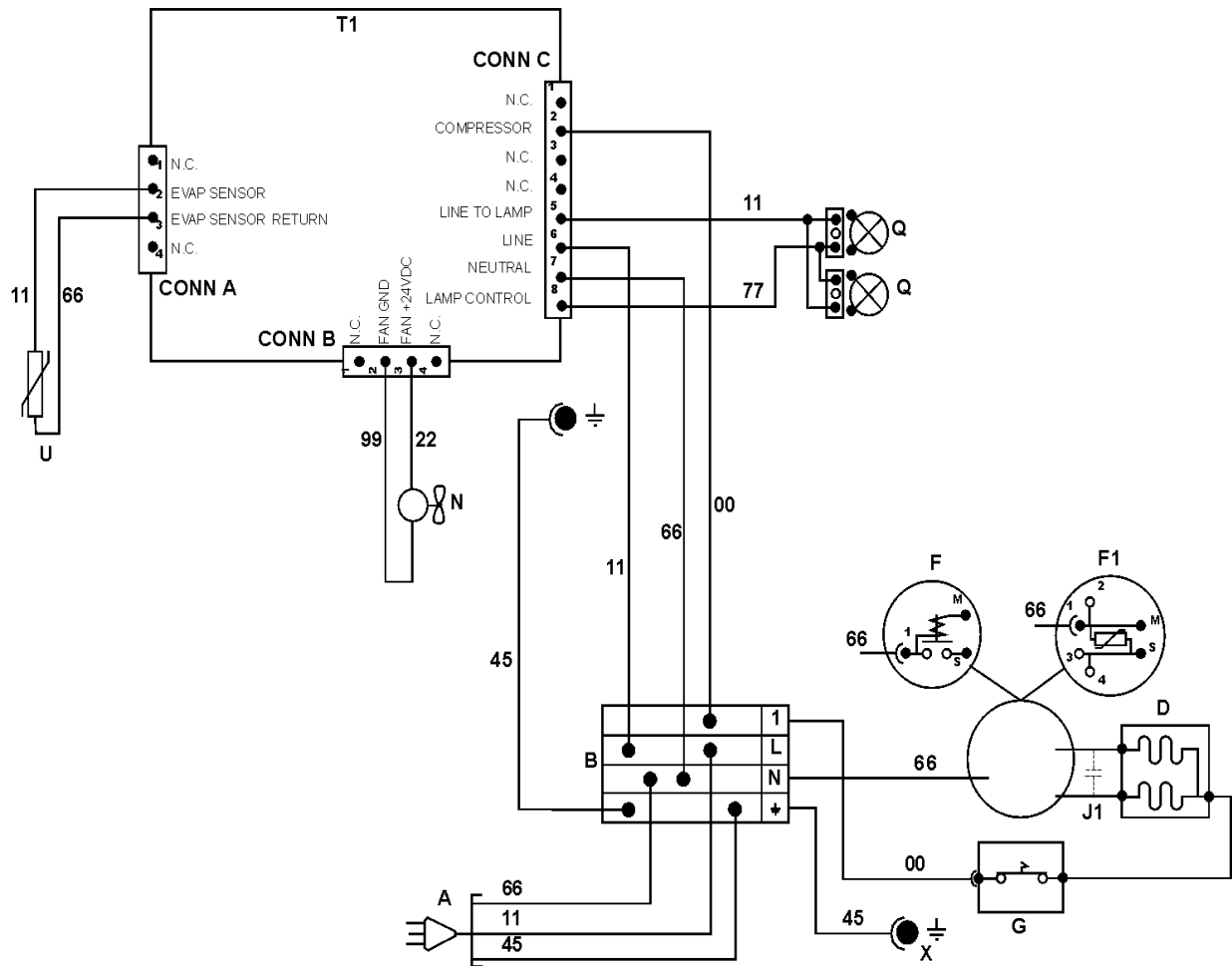
Pos. No.	12NC Code	Description
301 0	4812 464 69093	Control panel
301 1	4812 440 98137	Cover, regulator
321 0	4812 462 28665	Cover, f.control panel, hinge side
321 1	4812 462 28652	Cover f.control panel
402 0	4812 360 58114	Compressor NBM 1114 Y R600a sp
402 1	4812 418 70016	Tray, compressor
420 0	4812 120 28022	Capacitor
440 0	4812 361 18456	Fan
440 1	4812 466 68819	Shock absorber, for fan
480 0	4812 321 78213	Cable harness, for light
491 0	4812 462 28261	Cover
491 1	4812 290 88084	Connection block
614 0	4812 280 38051	Monoblock
651 0	4819 134 88178	Lamp T25-240V 15W
652 0	4812 255 28022	Holder, lamp
656 0	4812 460 98087	Cover f. lamp, with serigraphy
740 0	4812 511 48411	Condenser
740 1	4812 462 28448	Holder
741 0	4812 224 38012	Housing, Fan&Light
746 0	4812 511 38297	Evaporator, freezer
746 1	4812 466 28139	Holder, evaporator left
746 2	4812 462 28447	Holder, evaporator right
746 3	4812 460 98081	Panel
746 4	4812 460 98055	Panel
764 0	4819 526 48527	Dryer
781 0	4812 171 58001	Hose
783 0	4819 526 43046	Tube service
783 1	4812 530 29298	Pipe
900 0	4812 404 38721	Magnet, holder
904 0	4812 226 08003	Plug
904 1	4812 532 88029	Stopper
904 2	4812 462 28654	Plug, right hinge
904 3	4812 462 28653	Plug, left hinge
904 4	4812 226 08029	Plug

Exploded view



4619 524 52322

Circuit and Wiring diagram



- | | |
|-----------------------------|--------------------------------|
| D REFRIG. COMPRESSOR | U EVAPORATOR SENSOR |
| F STARTING RELAY | A PLUG |
| F1 P.T.C. | B MAIN CONNECTING BLOCK |
| G OVERLOAD PROTECTOR | X COMPRESSOR EARTHING |
| J1 RUNNING CAPACITOR | |
| N FAN-MOTOR | |
| Q LAMP | |
| T1 ELECTRONIC MODULE | |

- | |
|------------------------|
| 00 BLACK |
| 11 BROWN |
| 22 RED |
| 33 ORANGE |
| 66 BLUE |
| 77 VIOLET |
| 88 GREY |
| 99 WHITE |
| 45 YELLOW-GREEN |

Text/Legend**NTC resistance vs. temperature table**

T [°C]	R [Ω]	T [°C]	R [Ω]	T [°C]	R [Ω]	T [°C]	R [Ω]
-40.0	90721	-26.0	37221	-12.0	16564	2.0	7911
-39.5	87739	-25.5	36111	-11.5	16114	2.5	7714
-39.0	84867	-25.0	35039	-11.0	15678	3.0	7523
-38.5	82098	-24.5	34002	-10.5	15255	3.5	7337
-38.0	79431	-24.0	32999	-10.0	14845	4.0	7156
-37.5	76859	-23.5	32029	-9.5	14446	4.5	6980
-37.0	74381	-23.0	31092	-9.0	14059	5.0	6809
-36.5	71990	-22.5	30185	-8.5	13684	5.5	6643
-36.0	69686	-22.0	29307	-8.0	13320	6.0	6481
-35.5	67463	-21.5	28458	-7.5	12967	6.5	6324
-35.0	65320	-21.0	27637	-7.0	12624	7.0	6171
-34.5	63252	-20.5	26842	-6.5	12292	7.5	6022
-34.0	61258	-20.0	26072	-6.0	11969	8.0	5877
-33.5	59332	-19.5	25324	-5.5	11656	8.5	5737
-33.0	57475	-19.0	24600	-5.0	11352	9.0	5600
-32.5	55682	-18.5	23899	-4.5	11057	9.5	5467
-32.0	53952	-18.0	23221	-4.0	10770	10.0	5337
-31.5	52281	-17.5	22564	-3.5	10492	10.5	5210
-31.0	50668	-17.0	21928	-3.0	10222	11.0	5087
-30.5	49110	-16.5	21312	-2.5	9960	11.5	4967
-30.0	47606	-16.0	20715	-2.0	9705	12.0	4851
-29.5	46145	-15.5	20137	-1.5	9458	12.5	4737
-29.0	44735	-15.0	19577	-1.0	9218	13.0	4626
-28.5	43372	-14.5	19034	-0.5	8985	13.5	4519
-28.0	42056	-14.0	18509	0.0	8758	14.0	4414
-27.5	40784	-13.5	18000	0.5	8537	14.5	4312
-27.0	39556	-13.0	17506	1.0	8322	15.0	4213
-26.5	38368	-12.5	17028	1.5	8114	15.5	4116

NOTE:**Sensor is considered in short circuit if its value is lower than 500 Ohm;****Sensor is considered an open circuit if its value is higher than 100k Ohm.**