

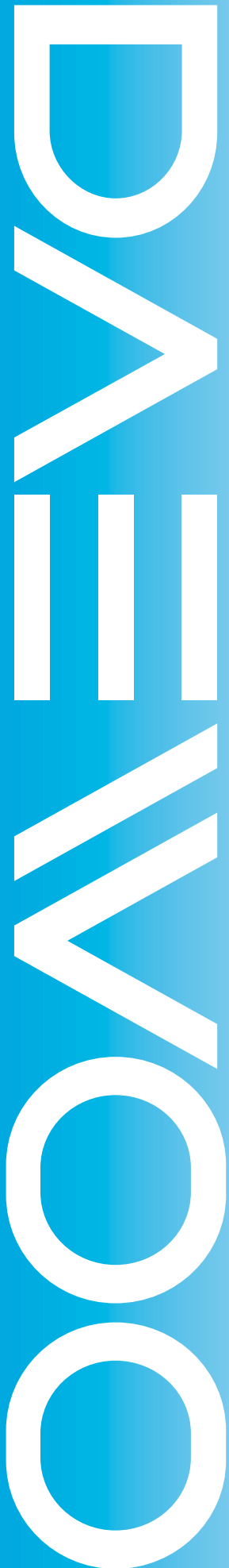
S/M No. : WDFT108102

# Service Manual

## Washing Machine

**Model: DWD-FT1081/FT1082/FT1083**

**DWD-FT1281/FT1282/FT1283**



### ✓ **Caution**

: In this Manual, some parts can be changed for improving, their performance without notice in the parts list. So, if you need the latest parts information, please refer to PPL(Parts Price List) in Service Information Center (<http://svc.dwe.co.kr>).

**DAEWOO ELECTRONICS CORP.**

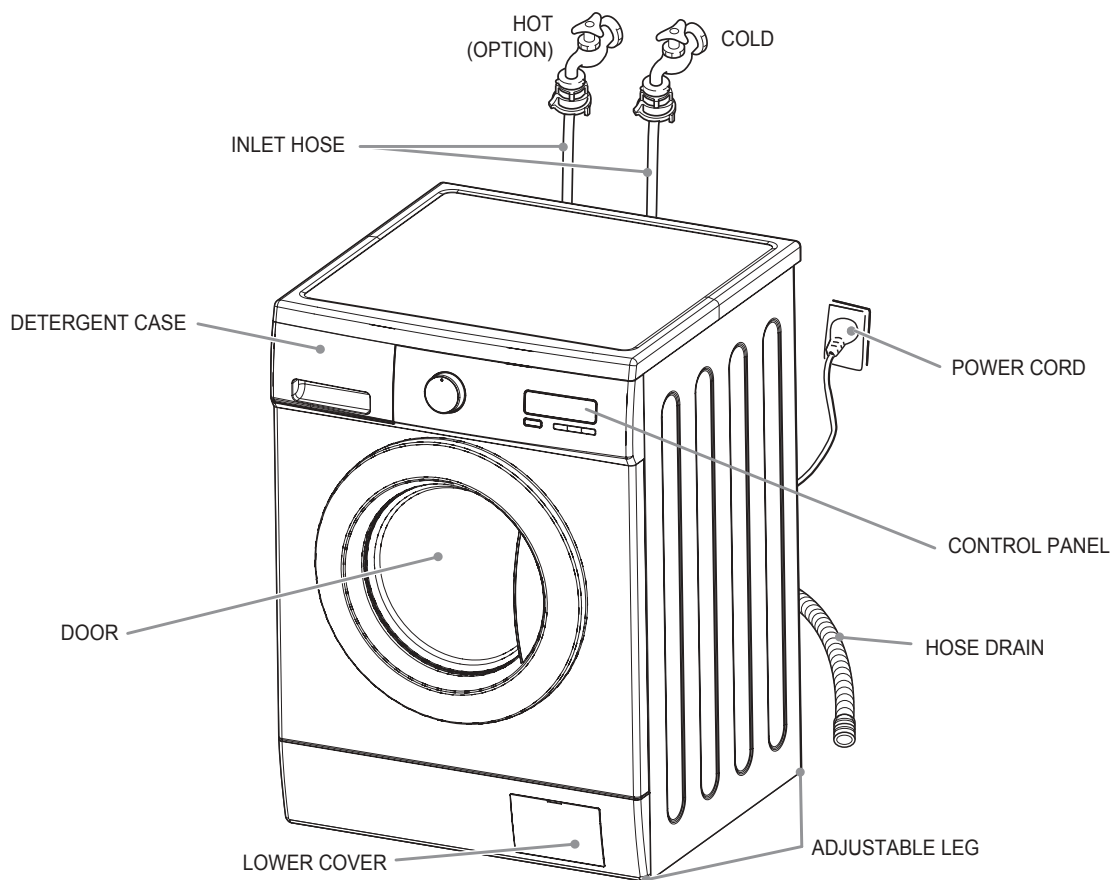
<http://svc.dwe.co.kr>

May. 2011

# Contents

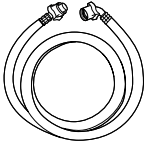


- 1. SPECIFICATIONS.....2**
- 2. INSTALLATION .....3**
  - Transit bolts.....3
  - Removing transit bolts .....3
  - Installation place requirement.....4
  - BS Plug Safety Details (For U.K. User).....4
  - Connecting inlet hose .....5
  - Installation of drain hose.....6
  - Level adjustment.....7
- 3. MAINTENANCE .....8**
  - Cleaning your washer .....8
  - Cold condition .....8
  - Cleaning the water inlet filter .....9
  - Cleaning the drain pump filter.....9
  - Cleaning the detergent case.....10
  - Cleaning the washing drum .....10
- 4. DIRECTION FOR DISASSEMBLY .....11**
- 5. EXPLODE VIEW AND PARTS LIST .....14**
- 6. FUNCTIONS OF THE CONTROL PANEL.....23**
- 7. FUNCTIONS OF THE CONTROLLER.....24**
- 8. FUNCTION OF THE CONVENIENT SERVICE.....27**
- 9. TROUBLESHOOTING GUIDE .....28**
- 10. WIRING DIAGRAM .....32**

# 1. SPECIFICATIONS



MODEL	DWD-FT1081/FT1082/FT1083 DWD-FT1281/FT1282/FT1283
Dimension (mm)	595 x 590 x 850 (W x D x H)
Maximum mass of textile (kg)	7.0 / 8.0
Unit Weight (kg)	49(Net) / 52(Gross)
Standard Water Consumption	50~60 ℓ
Spin Speed (RPM)	400 / 800 / 1000 or 1200
Operating Water Pressure	0.03MPa ~ 0.8MPa (0.3kgf/cm <sup>2</sup> ~ 8kgf/cm <sup>2</sup> )

## ■ Accessories

Inlet hose	Manual	Cap holder(3EA)
		

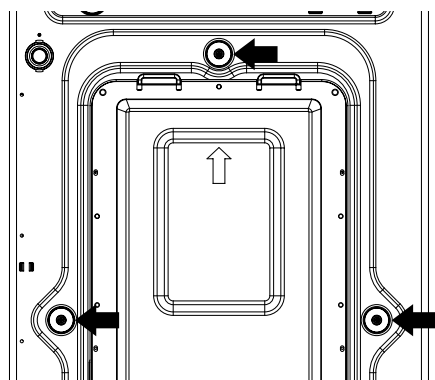
### ■ Transit bolts

The appliance is fitted with transit bolts to prevent internal damage during transport.

### ■ Removing transit bolts

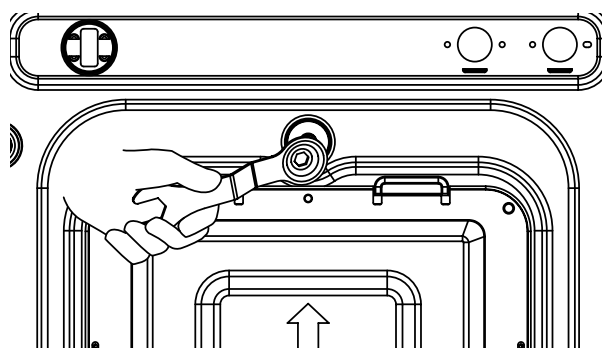
1. To prevent internal damage during transport, the special 3 bolts are locked. Before operating the washer, remove the bolts along with the rubber bungs.

- If they are not removed, it may cause heavy vibration, noise and malfunction.

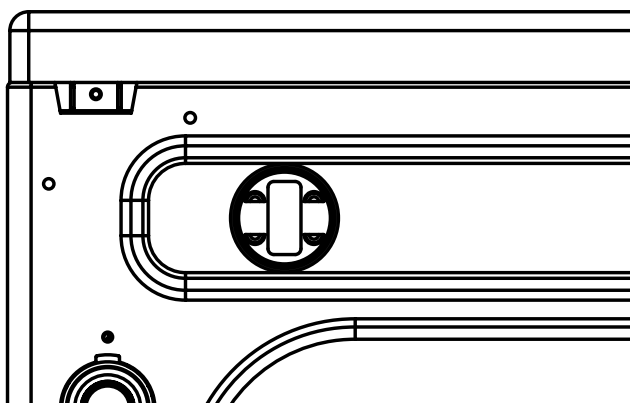


2. Unscrew the 3 bolts with the spanner supplied, and take out the 3 bolts with the rubber bungs. Keep the 3 bolts and the spanner for future use.

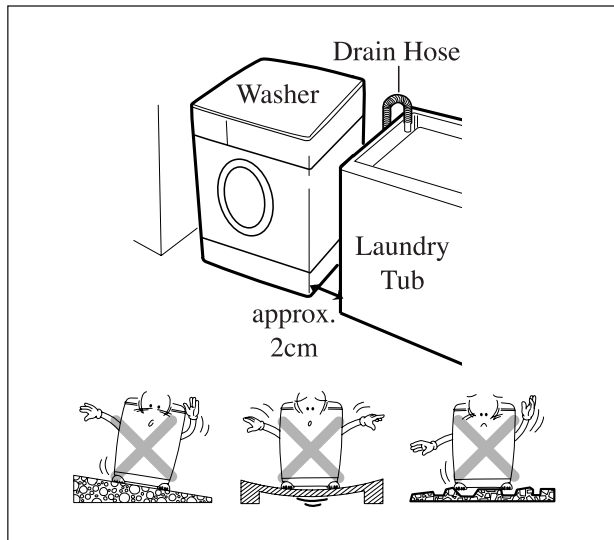
- Whenever the appliance is transported, the transit bolts must be refitted.



3. Close the holes with the caps supplied.



## ■ Installation place requirement



### Level floor :

Allowable slope under entire washer is 1°.

### Power outlet :

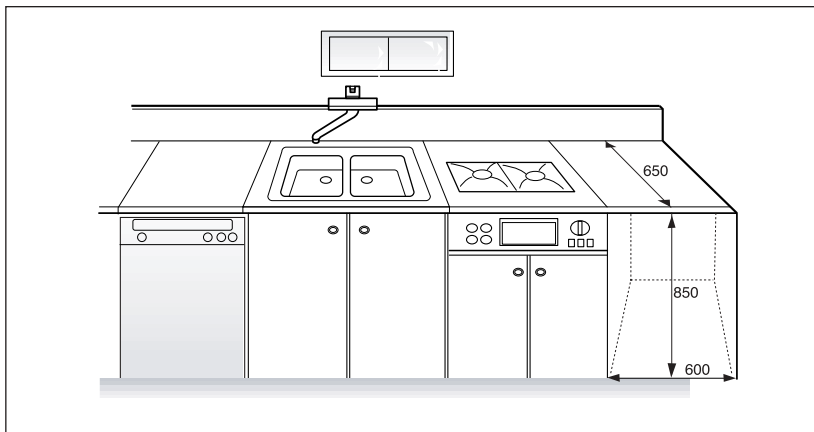
Must be with 1.5 meters of entire side of location of washer. Do not overload the outlet with more than one appliance.

### Additional Clearance :

For wall, door and floor modeling is required.  
(10cm : rear / 2cm : right & left side)

Do not place or store laundry products on top of washer at any times.

They can damage the finish or controls.



## ■ BS Plug Safety Details (For U.K. User)

### IMPORTANT

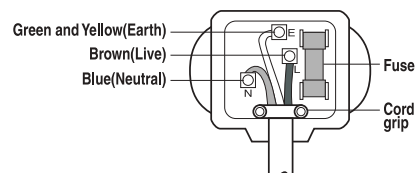
THE WIRES IN THIS MAINS LEAD ARE COLOURED IN ACCORDANCE WITH THE FOLLOWING CODE:

**GREEN AND YELLOW : EARTH**

**BLUE : NEUTRAL**

**BROWN : LIVE**

This appliance must be earthed



As the colours of the wires in the mains lead of this apparatus may not correspond with the coloured markings identifying the terminals in your plug, proceed as follows:

The wire which is coloured Green and Yellow must be connected to the terminal in the plug which is marked with the letter E or by the earth symbol  $\oplus$  or coloured Green or Green and Yellow.

The wire which is coloured Blue must be connected to the terminal which is marked with the letter N or coloured Black.

The wire which is coloured Brown must be connected to the terminal which is marked with the letter L or coloured Red.

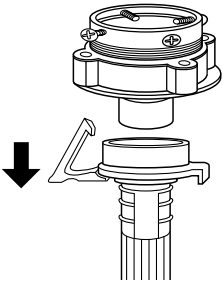
If a 13 amp (BS 1363) plug is used, fit a 13amp BS 1362 fuse.

## ■ Connecting inlet hose

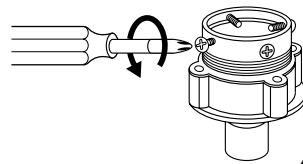
In using only one water tap or in case of only one water inlet valve, connect the inlet hose to the cold water inlet valve.  
Option : Be careful not to confuse hot water inlet and cold water inlet.

### •••• FOR ORDINARY TAP

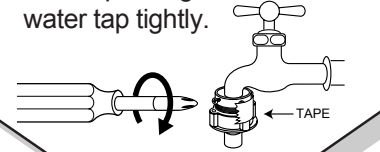
- ① Pull down the collar of the inlet hose to separate it from the water tap adapter.



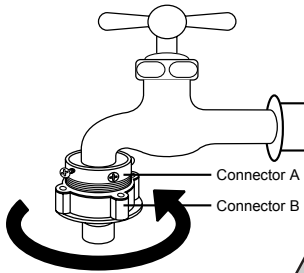
- ② Loosen the four screws properly in order to fit into water tap.



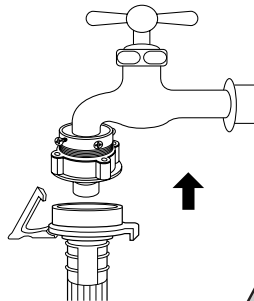
- ③ Fit the water tap adapter into the water tap and tighten the four screws evenly while pushing up the adapter so that the rubber packing can stick to the water tap tightly.



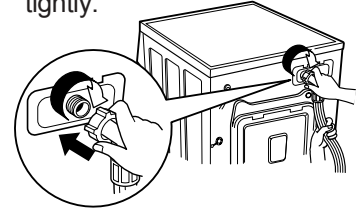
- ④ Remove the tape, and screw connector B into connector A tightly.



- ⑤ Connect the inlet hose to the water tap adapter by pulling down the collar of the hose end.



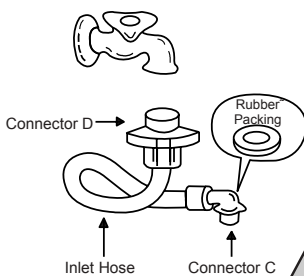
- ⑥ Connect the inlet hose adapter of the hose to the water inlet of the washer by turning it clockwise to be fixed tightly.



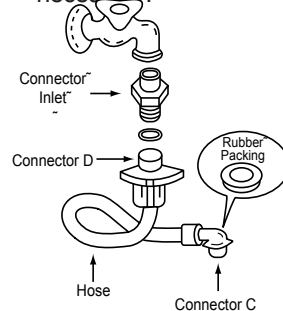
- Please check the rubber packing present inside the inlet hose adapter of the hose.

### •••• FOR SCREW-SHAPED TAP

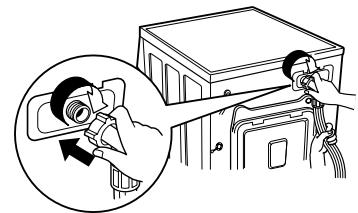
- ① Connect the inlet hose to the water tap adapter by pulling down the collar of the hose end.



- ② Connect the connector- inlet supplied if necessary.

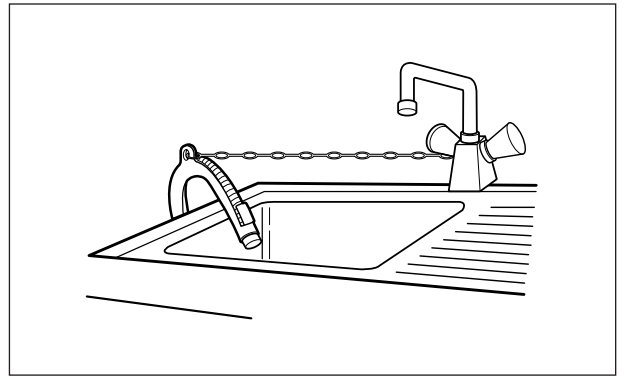
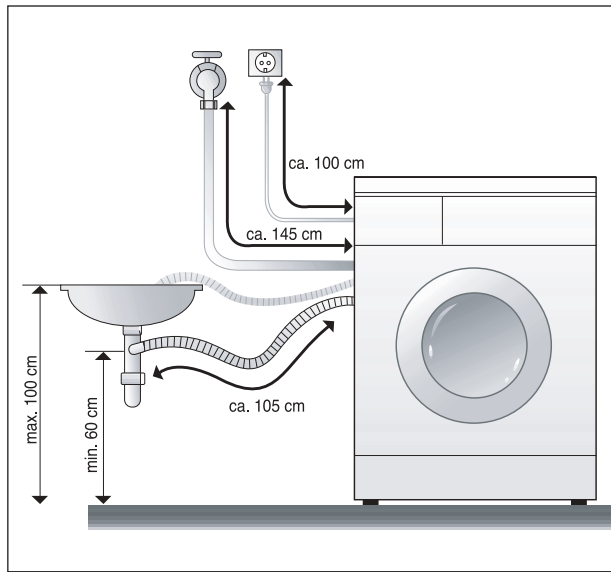


- ③ Connect the inlet hose adapter to the water inlet of the washer and turn it to be fixed.

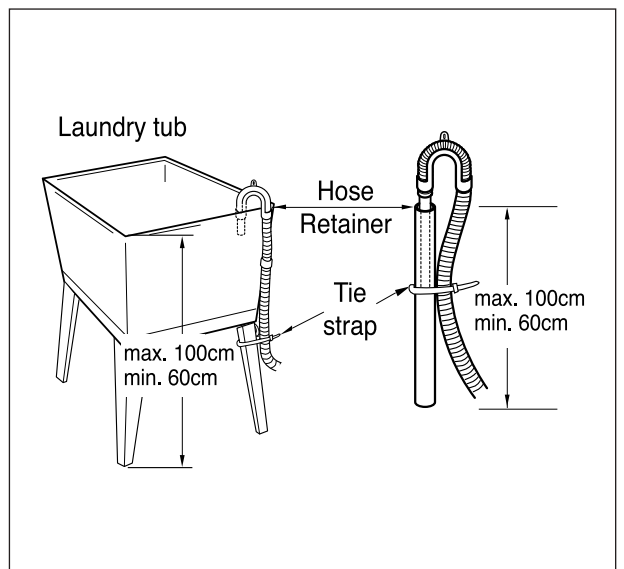
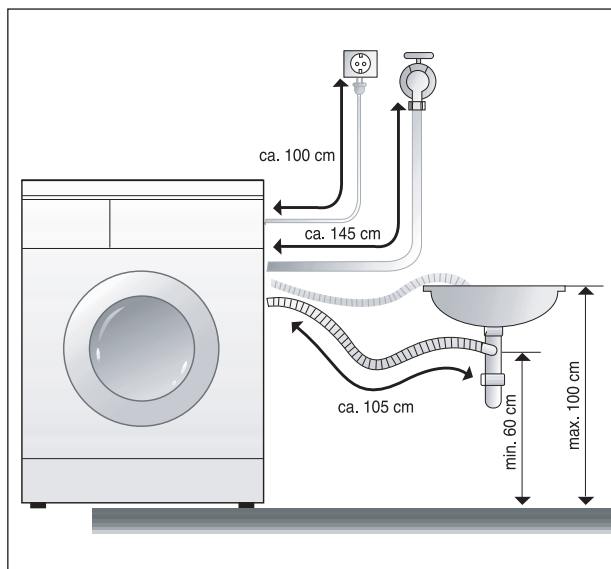


- Check the packing in the inlet.

## ■ Installation of drain hose



- When installing the drain hose in sink, secure it tightly with a string.
- Proper securing of the drain hose will **protect the floor from damage due to water leakage.**



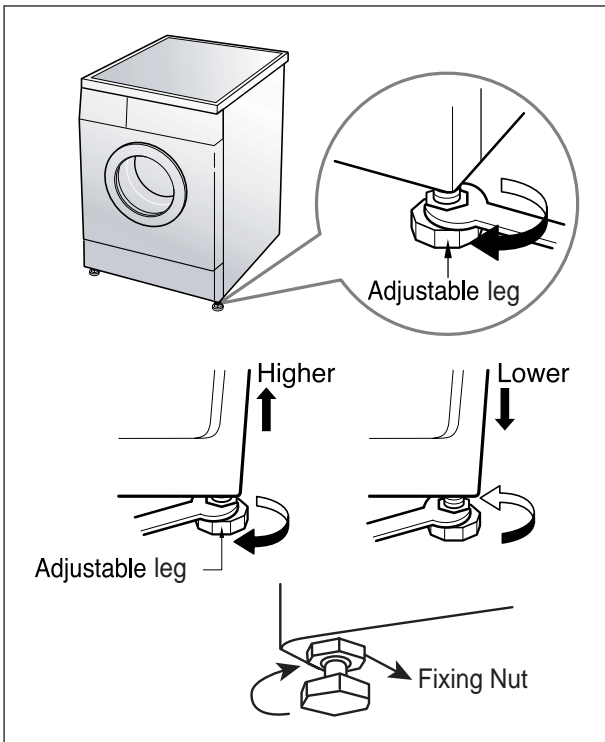
- The drain hose should not be placed **higher than 100cm above the floor.**
- Proper securing of the drain hose will **protect the floor from damage due to water leakage.**
- When the drain hose is too long, do **not force back in to the washer. This will cause abnormal noise.**

## ■ Level adjustment

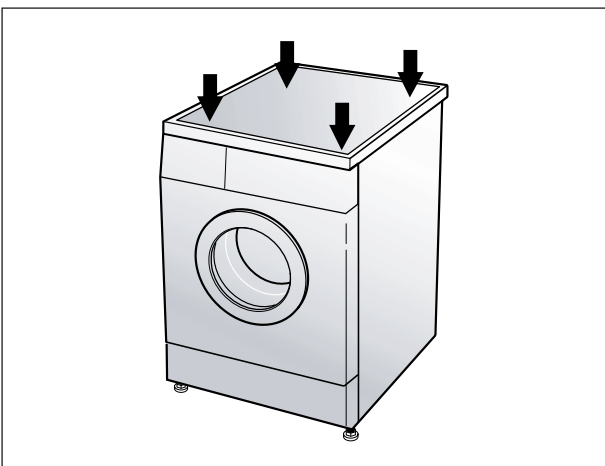


1. The level adjustment of the washing machine prevents excessive noise and vibration. Install the washing machine on a solid and even floor surface, if possible, in a corner of the room.

**Note:** The wooden floor may cause excessive vibration.



2. If the floor is uneven, adjust the adjustable leg as the following.  
(Do not insert pieces of wood etc. under legs.)
  - Please check whether there is any gap between four adjustable legs and the floor.
  - Turn adjustable legs by the enclosed spanner in order to adjust the level of the washing machine.
  - Make it sure that there is no swaying of the washing machine and check that the washing machine is even completely. (use a spirit level)
  - After the level adjustment is finished, turn fixing nuts up tightly so that the washing machine maintains the adjustment.



### ✱ Diagonal Check

When pushing down the edges of the washing machine top plate diagonally, the machine should not move up and down at all.

(Please, check both of two directions)

If machine rocks when pushing the machine top plate diagonally, adjust legs again.



## 3. MAINTENANCE

✱ Before cleaning the washer interior, unplug the electrical power cord avoid electrical shock hazards.

### ■ Cleaning your washer

#### 1. Exterior

Proper care of your washer can extend its life.

The outside of the machine can be cleaned with warm water and a neutral non abrasive household detergent.

Immediately wipe off any spills. Wipe with damp cloth.

Try not to hit surface with sharp objects.

- Do not use methylated spirits, diluents or similar products.

#### 2. Interior

Dry around the washer door opening, flexible gasket and door glass.

Run washer through a complete cycle using hot water.

Repeat process if necessary.

- Remove hard water deposits using only cleaners labeled as washer safe.

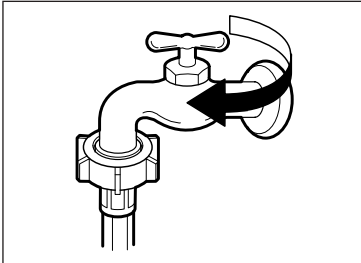
### ■ Cold condition

If the washer is stored in an area where freezing may occur or moved in freezing temperature, follow these instructions to prevent damage to the washer.

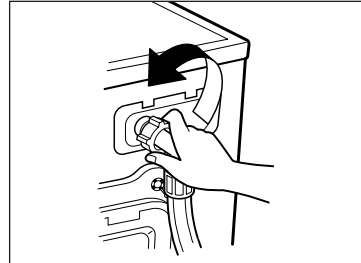
1. Turn off water supply tap.
2. Disconnect hoses from water supply and drain water from hoses.
3. Plug electrical cord into a properly grounded electrical outlet.
4. Add 1gallon(3.8L) of nontoxic recreational vehicle(RV) antifreeze into empty wash drum.  
Close the door.
5. Set spin cycle and let washer spin for 1minute to drain out all water.
6. Unplug electrical power cord, dry the drum interior, and close the door.
7. Remove detergent case and dry excessive water from the compartments.
8. Store washer in an upright position.
9. To remove antifreeze from washer after storage, run empty washer through a complete cycle using detergent.  
Do not add wash load.

## ■ Cleaning the water inlet filter

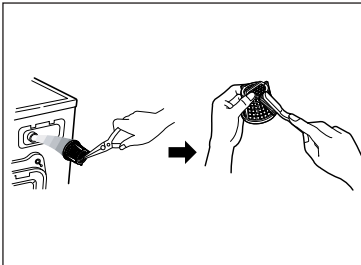
- "IE" error message will blink on the control panel when water does not enter the detergent drawer.
- If your water is very hard or contains traces of lime deposit, the water inlet filter may become clogged.
- It is therefore a good idea to clean it from time to time.



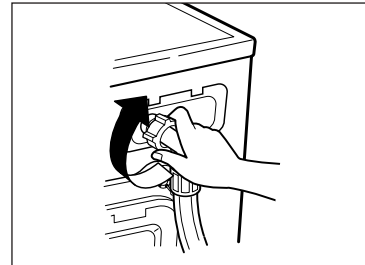
1. Turn off the water tap.



2. Unscrew the water inlet hose.



3. Clean the filter using a had bristle brush.



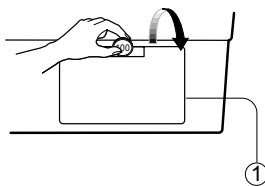
4. Tighten up the inlet hose.

## ■ Cleaning the drain pump filter

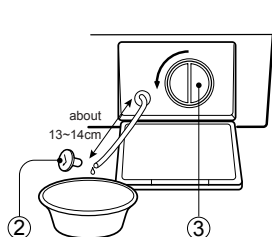
- The drain filter collects threads and small objects left in the laundry.
- Check regularly that the filter is clean to ensure smooth running of your machine.

**CAUTION** Be careful when draining if the water is hot.

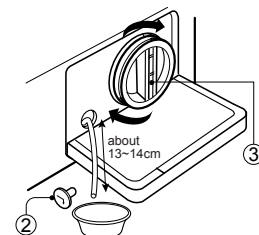
1. Open the lower cover(①) by using a coin. Turn the cap hose(②) to pull out the hose. Pull out the hose maximally. (About 13~14cm.)



2. Unplug the cap hose(②), allowing the water to flow out. At this time use a vessel to prevent water flowing on to the floor. When water does not flow any more, turn the pump filter(③) open to the left.

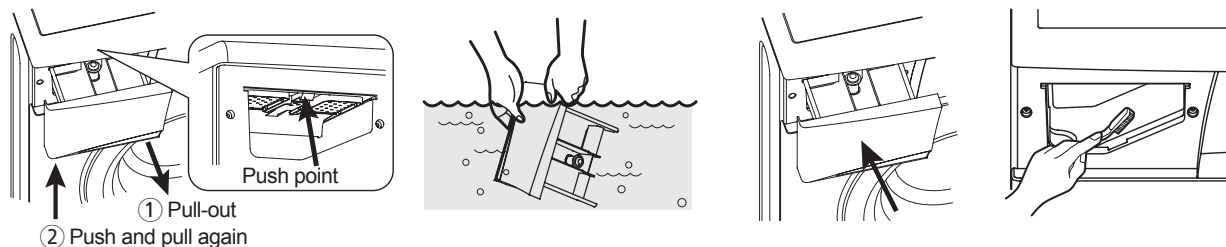


3. Remove any foreign material from the pump filter(③). After cleaning, turn the pump filter clockwise and insert the cap hose(②) to the original place. Close the lower cover.



## ■ Cleaning the detergent case

- In case of residual detergents or fabric softeners have accumulated ;
  - It should be cleaned with a jet of running water.
  - If necessary, it can be removed completely from the washing machine.



- Detergents can be also accumulate the inside cavity.  
In this case, the inside cavity should be cleaned with a brush.
- After cleaning, replace the detergent case and run Rinse cycle without laundry.

## ■ Cleaning the washing drum

- If you live in a hard water area, limescale may continuously build up in places where it cannot be seen and thus not easily removed.
- Over time the build up of scale clogs appliances, and if it is not kept in check these may have to be replaced.
- Although the washing drum is made of stainless steel, specks of rust can be caused by small metal articles (paper clips, safety pins) which have been left in the drum.
- The washing drum should be cleaned from time to time.
- If you use descaling agents, dyes or bleaches, make sure they are suitable for washing machine use.
  - \* Descaler may contain chemicals that may damage part of your washing machine.
  - \* Remove any spots with a stainless steel cleaning agent.
  - \* Never use steel wool.

## 4. DIRECTION FOR DISASSEMBLY

### DOOR LOCK SWITCH

1) Open the door and remove the gasket clamp.



2) Remove the gasket from the front cabinet.



3) Remove two screws, and remove the door lock switch.



### HEATER AND THERMISTOR

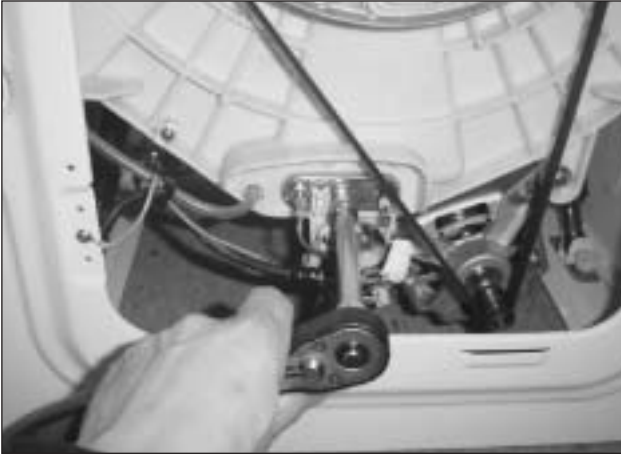
1) Remove four screws on the back cover, and remove the back cover.



2) Remove connectors and the earth terminal.



3) Remove the nut by using a box wrench, and remove the earth terminal.



4) Loosen the nut by using a box wrench, and pull out the heater.

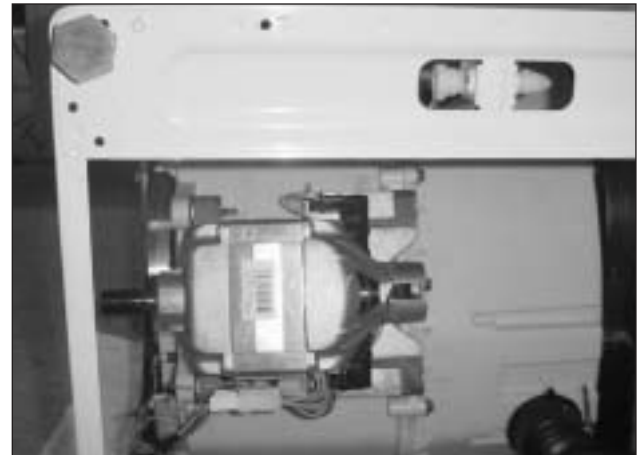


## UNIVERSAL MOTOR

1) Remove the belt from the pulley.



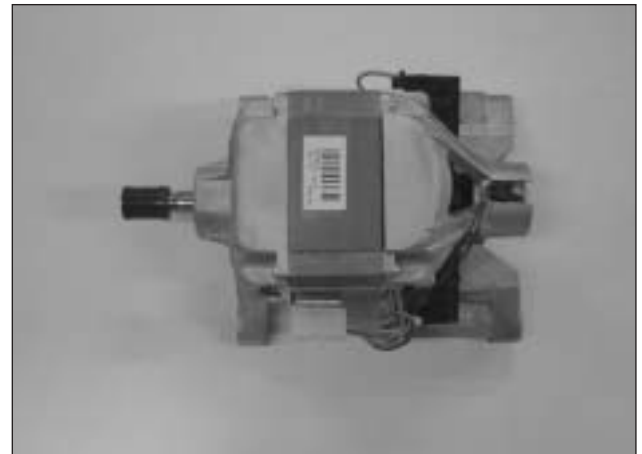
2) Lay the right side of the washer on the floor, and remove the connector.



3) Remove two bolts mounting the motor by using a box wrench.



4) Remove the motor from the tub.



## DRAIN PUMP

1) Lay the right side of the washer on the floor, and remove the lower panel by pressing six snap fits.



2) Remove connectors.



3) Remove the screw, and remove the drain pump from the lower frame.



4) Remove the drain hose.

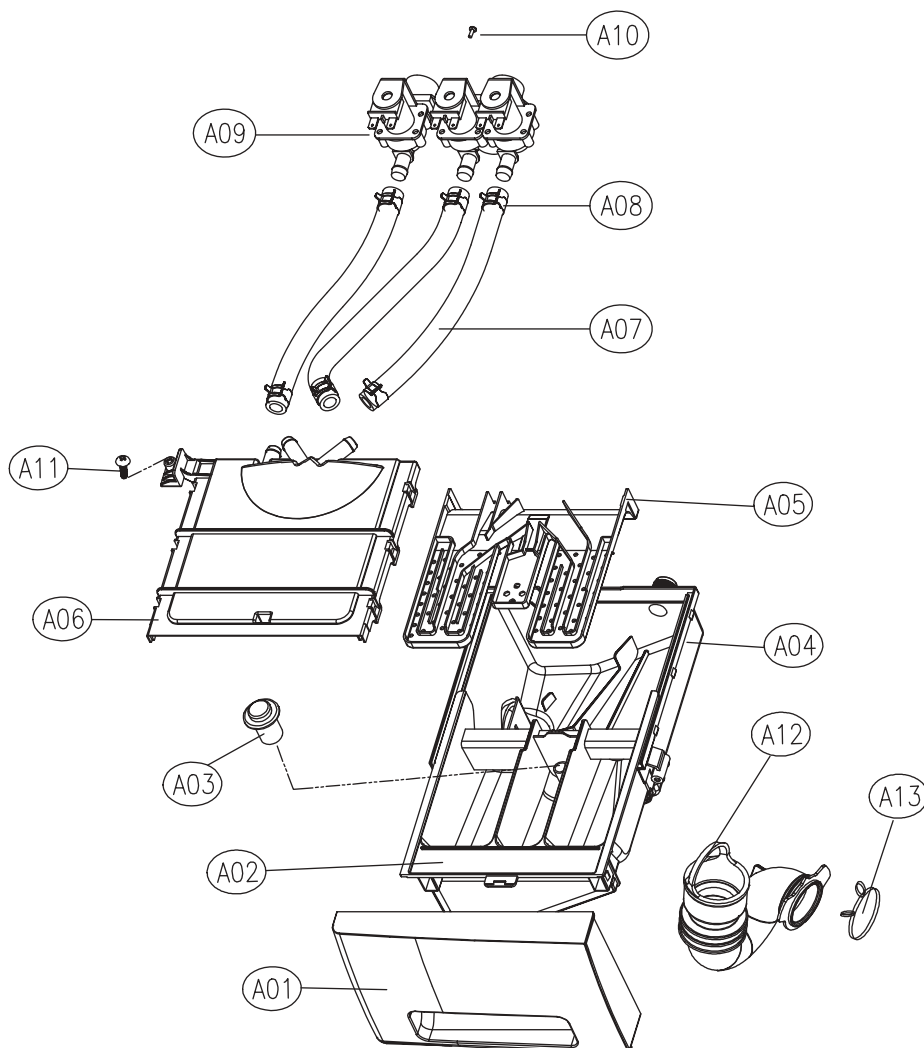


5) Remove the inner drain hose, and remove the drain pump.



## 5. EXPLODE VIEW AND PARTS LIST

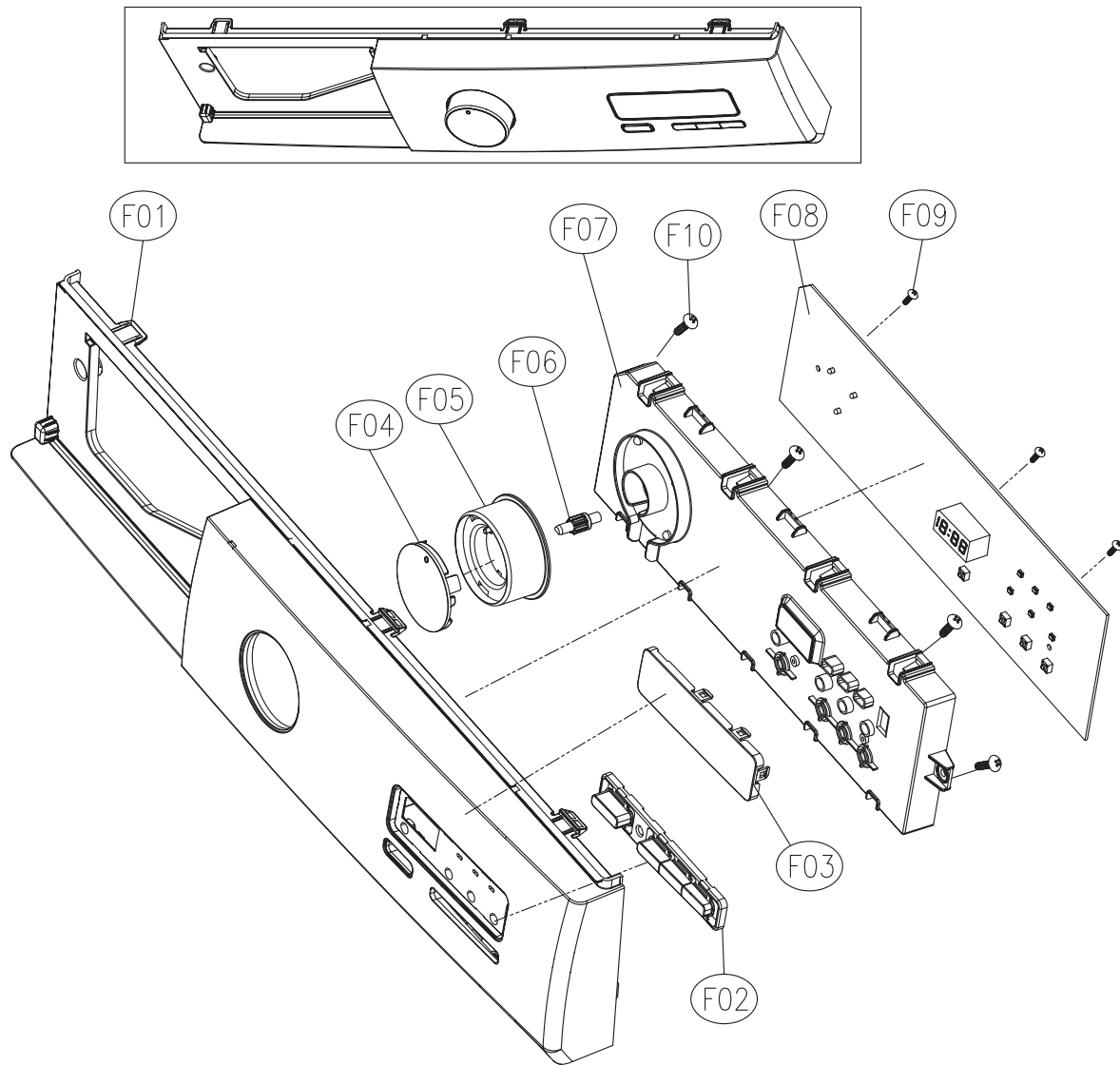
### ■ BOX INLET AS



No.	PART NAME	PART CODE	SPECIFICATION	Q'TY	REMARK
A01	CASE HANDLE	36111T2W00	HIPS, FT1081	1	
		-	ABS + SPRAY, FT1081	1	
A02	CASE DETERGENT	3611145800	PP	1	
A03	CAP SOFTENER	3610907800	PP	1	
A04	INLET BOX	3617511800	PP, D-FU1081	1	
A05	NOZZLE UNDER	3618103410	PP	1	M'S
A06	NOZZLE TOP	3618112200	PP, Cold only	1	
		3618112210	PP, Cold + Hot	1	
A07	HOSE WATER SUPPLY	3613270900	EPDM, ID9.5, OD14.5, L=310	2(3)	COLD(+HOT)
A08	CLAMP HOSE	3611205800	100H, ID=13.8, W=10, 0.9T	4(6)	COLD(+HOT)
A09	VALVE INLET	3615414900	220~240V, 2-WAY, PP/BRACKET	1	COLD
		3615416821	220~240V, VDE, 2-WAY+DR TECH INSPECTION COST		COLD(EU)
		3615414800	220~240V, 1-WAY, HOT PP/BRACKET	1	HOT(OPTION)
A10	SCREW TAPTITE	7272400811	TT3, TRS 4X8 MFZN	2(4)	COLD(+HOT)
A11	SCREW TAPPING	7122401411	T2S, TRS, 4X14 MFZN	1	
A12	HOSE INLET	3613276600	EPDM, FT1081	1	
A13	CLAMP HOSE	3611201401	HSW3, YW, D2.6, ID36, W44.5	1	



## ■ PANEL FRONT AS



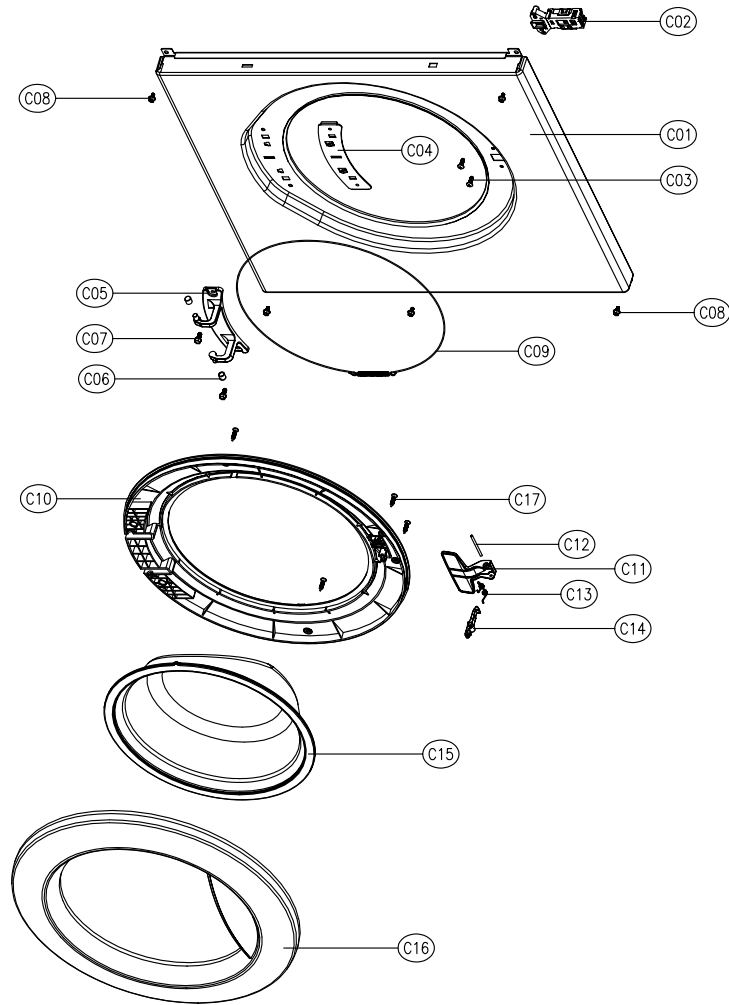
No.	PART NAME	PART CODE	SPECIFICATION	Q'TY	REMARK
F01	PANEL F	36142T3A00	HIPS, FT1081	1	
F02	BUTTON P.S	3616647600	ABS, FT1081	1	
F03	WINDOW DISPLAY	3615511700	ABS(TR), FT1081	1	
F04	DECO DIAL	36166DGQ00	ABS, FT1081	1	
F05	KNOB DIAL	3616647700	ABS, FT1081	1	
F06	SHAFT KNOB	3614905700	POM, MU802'S	1	
F07	CASE PCB F	36111T2X00	HIPS, FT1081	1	
F08	PCB AS	PRPSSWB---	DWD-F1XXX SERIES	1	Refer to Detailed Part Code of PCB AS
F09	SCREW TAPPING	7122300811	T2S TRS 3X8	3	
F10	SCREW TAPPING	7122401411	T2S TRS 4X14	4	



## ■ Detailed Part Code of PCB AS

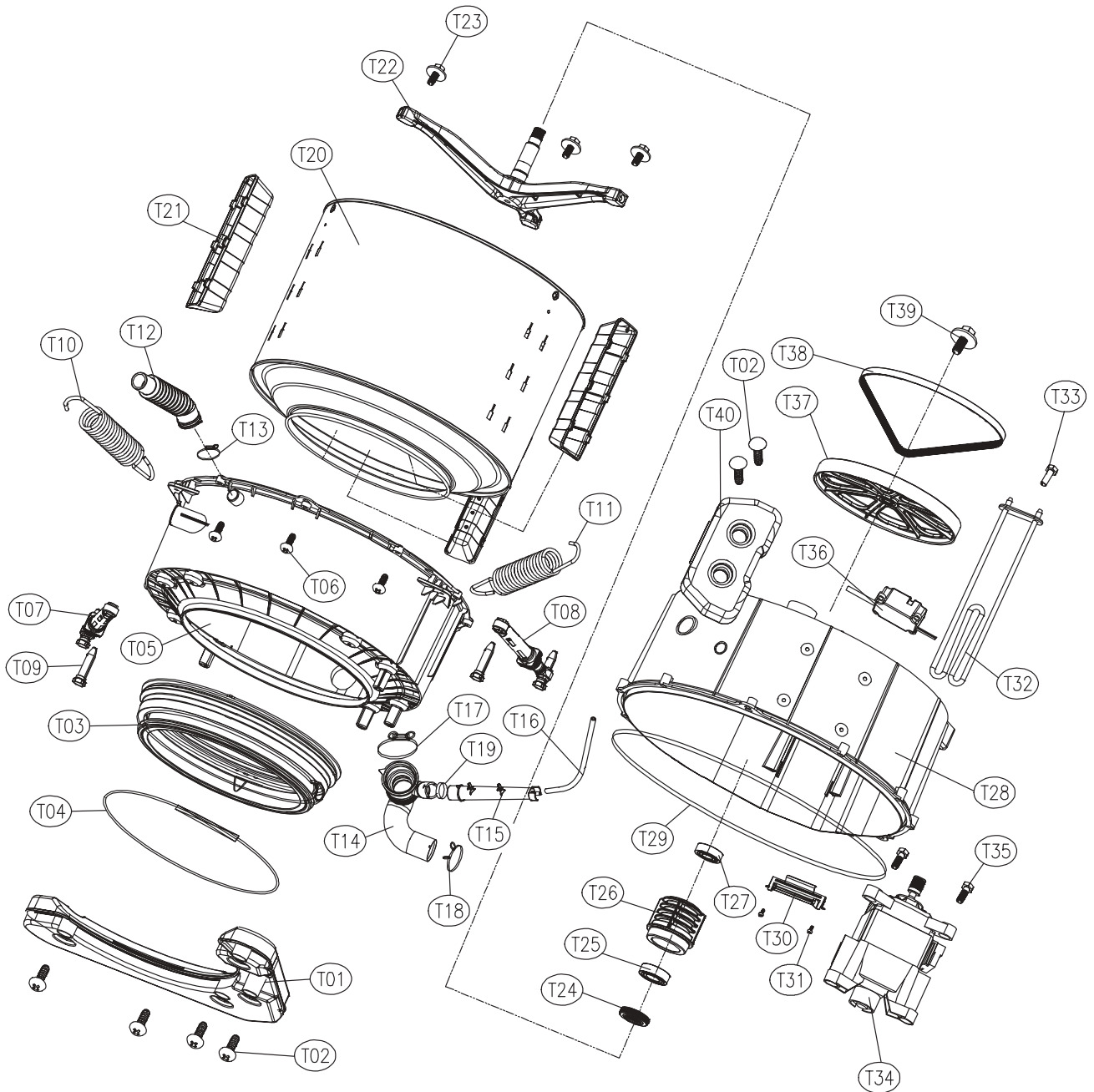
No.	PART NAME	PART CODE	SPECIFICATION	Q'TY	REMARK
F08	PCB AS	PRPSSWB700	D-FT1081 MAIN PCB AS, VE+NON-VDE, BB, HOT+COLD, 1000RPM	1	8th PANEL DWD-FT108X SERIES
		PRPSSWB701	D-FT1081 MAIN PCB AS, VE+NON-VDE, NON-BB, COLD, 1000RPM		
		PRPSSWB702	D-FT1081 MAIN PCB AS, VE+NON-VDE, BB, COLD, 1000RPM		
		PRPSSWB703	D-FT1081 MAIN PCB AS, VE+NON-VDE, NON-BB, HOT+COLD, 1000RPM		
		PRPSSWB705	D-FT1081 MAIN PCB AS, VE+VDE, BB, HOT+COLD, 1000RPM		
		PRPSSWB706	D-FT1081 MAIN PCB AS, VE+VDE, NON-BB, COLD, 1000RPM		
		PRPSSWB707	D-FT1081 MAIN PCB AS, VE+VDE, BB, COLD, 1000RPM		
		PRPSSWB708	D-FT1081 MAIN PCB AS, VE+VDE, NON-BB, HOT+COLD, 1000RPM		
		PRPSSWB710	D-FT1281 MAIN PCB AS, VE+NON-VDE, BB, HOT+COLD, 1200RPM		8th PANEL DWD-FT128X SERIES
		PRPSSWB711	D-FT1281 MAIN PCB AS, VE+NON-VDE, NON-BB, COLD, 1200RPM		
		PRPSSWB712	D-FT1281 MAIN PCB AS, VE+NON-VDE, BB, COLD, 1200RPM		
		PRPSSWB713	D-FT1281 MAIN PCB AS, VE+NON-VDE, NON-BB, HOT+COLD, 1200RPM		
		PRPSSWB715	D-FT1281 MAIN PCB AS, VE+VDE, BB, HOT+COLD, 1200RPM		
		PRPSSWB716	D-FT1281 MAIN PCB AS, VE+VDE, NON-BB, COLD, 1200RPM		
		PRPSSWB717	D-FT1281 MAIN PCB AS, VE+VDE, BB, COLD, 1200RPM		
		PRPSSWB718	D-FT1281 MAIN PCB AS, VE+VDE, NON-BB, HOT+COLD, 1200RPM		

## ■ CABINET FRONT AS



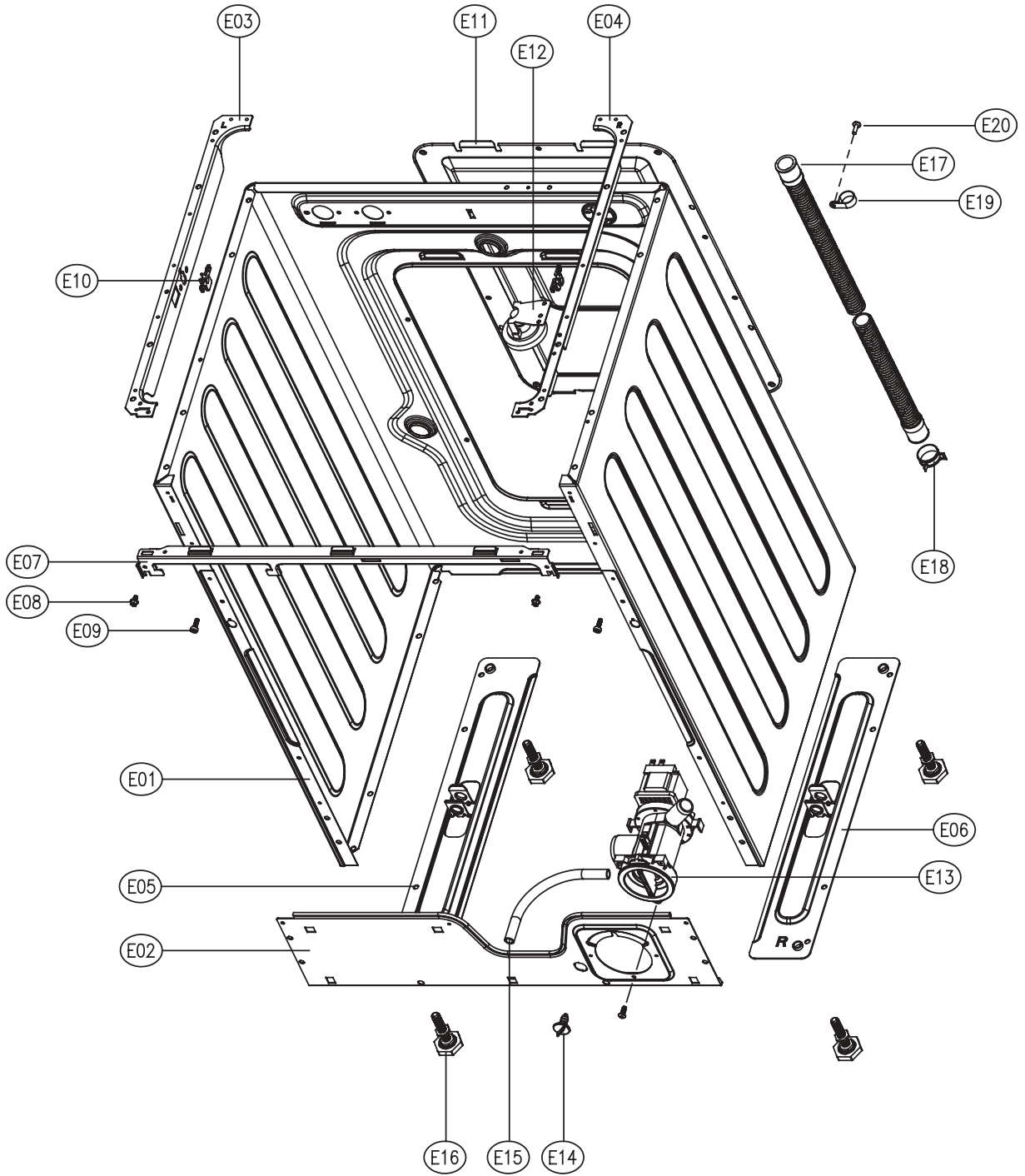
No.	PART NAME	PART CODE	SPECIFICATION	Q'TY	REMARK
C01	CABINET FRONT	3610811210	PCM, SGCC 0.8T, SILVER	1	DWD-F1XX3
		3610811220	SECD 0.7T		DWD-F1XX1(2)
C02	SWITCH DOOR LOCK	3619047100	DL-LC.BITRON_3P.250V16A.BI-METAL	1	
C03	SCREW TAPPING	7122401208	T2S TRS 4X12 SUS	2	
C04	PLATE HINGE SUPPORT	3614531900	SGCC T1.6	0	No use
C05	HINGE DOOR	3612902800	ALDC	1	
C06	CAP HINGE DOOR	3610916500	POM	2	
C07	SCREW TAPPING	3616030000	F/L BOLT(SE) 5*12 SUS	2	
C08	SCREW TAPPING	3616029950	TTS"S" HEX F/L 4*8	6	
C09	CLAMP DOOR AS	3611204810	HSW3, D=1.4 GS	1	
C10	FRAME DOOR I	3612205200	PP	1	
C11	HANDLE DOOR	3612608600	ABS	1	
C12	PIN HANDLE	3618200200	SUS304, D3, L48	1	
C13	SPRING HOOK	3615114600	SUS D1.4	1	
C14	HOOK DOOR	3613100700	ZNDC	1	
C15	DOOR GLASS	361A110700	GLASS PI300	1	
C16	FRAME DOOR O	3612205102	HIPS D-F'S	1	DWD-F1XX1
		3612205120	CR3		DWD-F1XX2(3)
C17	SCREW TAPPING	7115402008	T1S FLT 4*20 SUS	6	

■ TUB ASS'Y



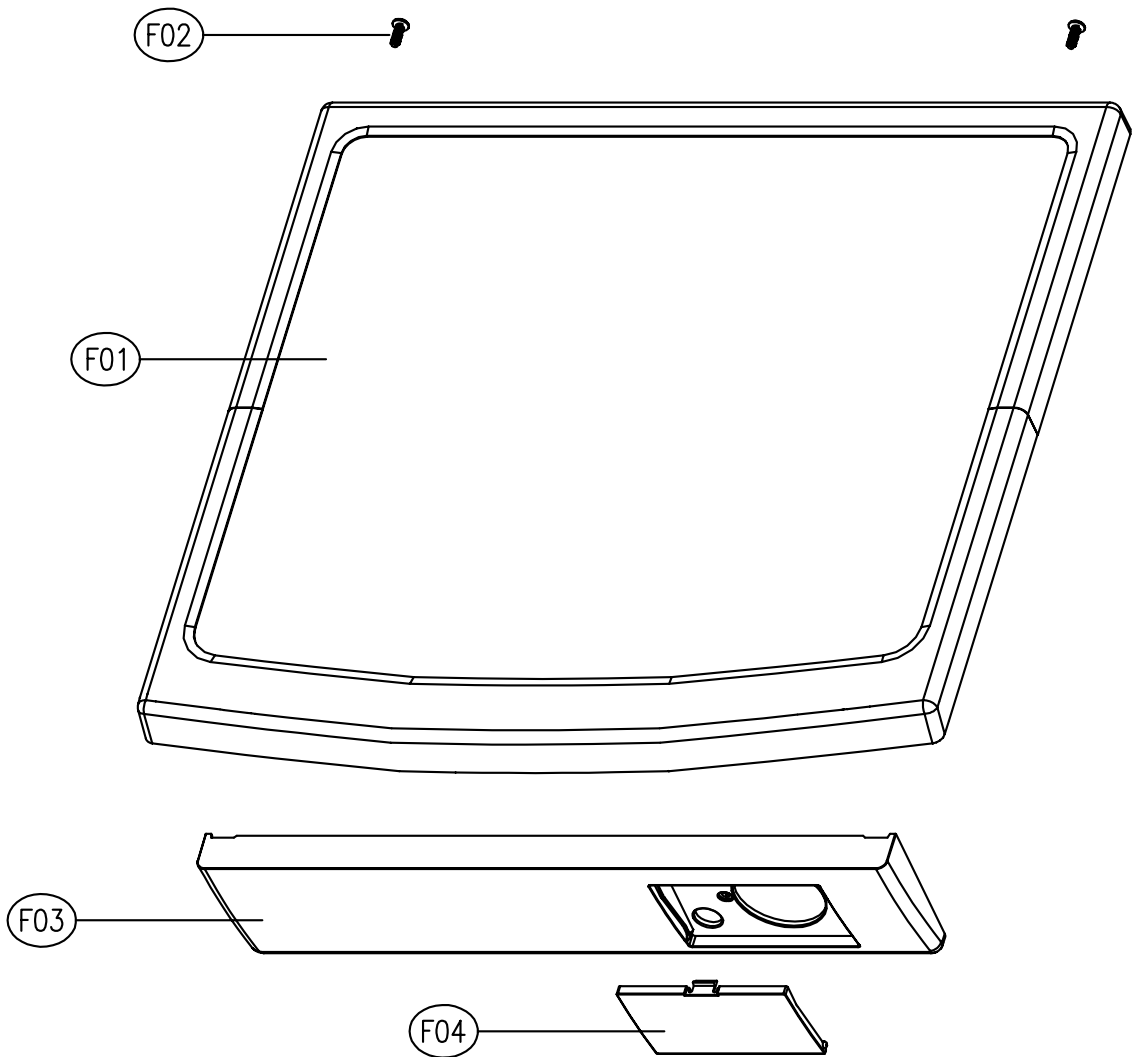
No.	PART NAME	PART CODE	SPECIFICATION	Q'TY	REMARK
T01	BALANCER WEIGHT F AS	3616111800	D-FT1081's, 8kg	1	
T02	SPECIAL SCREW	3616029400	SWCH 8.5X30	6	
T03	GASKET	3612327300	EPDM, D-FT1081	1	
T04	CLAMP GASKET AS	3611204520	HSW3, GS	1	
T05	TUB *F	3618831000	FRPP, FT1081	1	
T06	SPECIAL SCREW	3616062700	SWRCH 18A 5.6X30	12	
T07	DAMPER FRICTION	361A700140	70N CIMA ST=170-260 DL=202	1	
T08	DAMPER FRICTION	361A700140	70N CIMA ST=170-260 DL=202	1	
T09	DAMPER PIN	361A700200	AKS D=14.5	2	
T10	SPRING SUSPENSION *L	3615118700	FU1081,D=3.2 L=173,K=0.664 YELLOW COATING	1	
T11	SPRING SUSPENSION *R	3615118750	FU1081,D=3.2 L=167,K=0.455 SILVER COATING	1	
T12	HOSE VENT	3613267100	EPDM	1	
T13	CLAMP HOSE	3611204700	D26	1	
T14	HOSE DRAIN	3613267300	EPDM	1	
T15	AIR TRAP	361A500101	PP	1	
T16	HOSE AIR	3613268600	ID=4,OD=8, L=580	1	
T17	CLAMP AS	3611203210	ID=61, WIRE+GUIDE+BOLT, GS	1	
T18	CLAMP HOSE	3611201401	HSW3,YW,D2.6,ID36,W44.5	1	
T19	CLAMP HOSE	3611204700	D26	1	
T20	DRUM SUB AS	3617004002	D-F 0.4T(CENTER, REAR), 0.5(FRONT)	1	
T21	LIFTER WASH	361A400410	PP D-F'S NANO	3	
T22	SPIDER AS	361A301500	D-FT1081	1	
T23	SPECIAL SCREW	3616029500	SUS430 8*25	3	
T24	WATER SEAL	361A600100	NBR	1	1 piece SVC part
T25	BEARING INNER	3616303100	F,L,E,U,6206Z	1	
T26	BEARING HOUSING	3616305600	ALDC, FT1081	1	
T27	BEARING OUTER	3616303200	F,L,E,U,6205Z	1	
T28	TUB REAR	3618831100	FRPP, FT1081	1	
T29	SEALING TUB	3612321601	EPDM L1600(-0~ +10)	1	
T30	FIXTURE HEATER	3612007300	SUS 0.7T 440X45	1	
T31	SCREW TAPPING	7122401408	T2S TRS 4*14 SUS,STS	2	
T32	HEATER WASH	3612803600	230V 2000W.1R5A721001.IRCA FUSE 2EA	1	CE, CB Standard
		3612803700	230V 2000W.1R5A721002.IRCA FUSE 2EA	1	
		3612803800	240V 2000W.1R5A721003.IRCA FUSE 2EA	1	
		3612802400	220V 2KW.1R0A721001.RW8TF.IRCA	1	
		3612802420	240V 2KW.1R0A721003.RW8TF.IRCA	1	
T33	THERMISTOR WASH	361AAAAB10	R25=1.704_ R80=11.981_	1	
T34	UNIT MOTOR UNIVERSAL	36189L4H30	DC220V 50HZ 2P PI340 45T DUM-66 TONLON	1	
		36189L4H10	AC220~240/50 G&J GJ-2UA005A 2P PI340 45T(CCA)	1	option
		36189L4H20	DC220/50 C&M 2P PI340 45T(AL)	1	option
T35	SPECIAL SCREW	3616007400	T2S TRS 4X10+24	2	
T36	UNIT BUBBLE PUMP AS	36189L4120	220-240V DBK-240DB RP CHSHION	1	
T37	PULLEY	3618433200	ALDC, D-FU		
T38	BELT V	3616591110	GATES 4PJ1120 BUTADIENE RUBBER	1	
T39	SPECIAL BOLT AS	3616029600	SWCH 10*30,F/L BOLT S.P/W SEAL LOCK	1	
T40	BALANCER WEIGHT *T AS	3616110700	PP, D-LU1011, 2.48KG	1	

# ■ CABINET AS



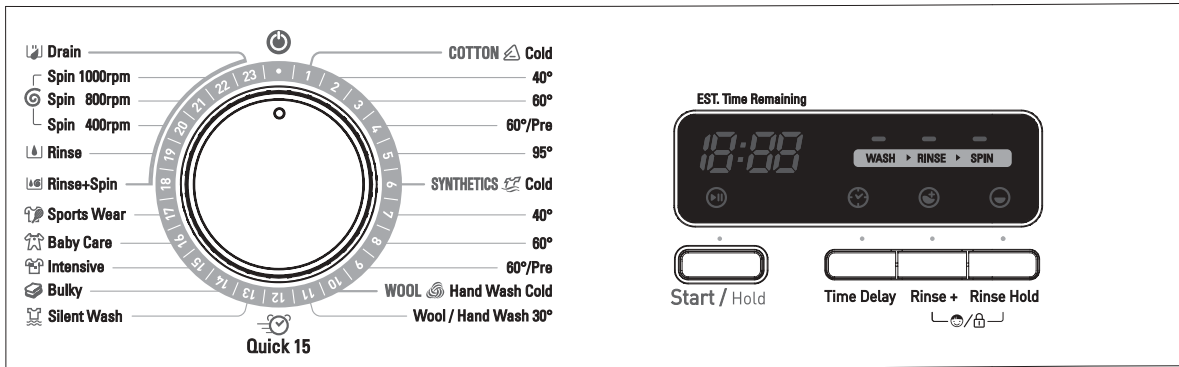
No.	PART NAME	PART CODE	SPECIFICATION	Q'TY	REMARK
E01	CABINET	3610811101	SGCC(GI), 0.7TX825.7X1630.8	1	1 piece SVC part
E02	FRAME LOWER	3612205501	SGCC T1.0 160X580	1	
E03	FRAME TOP *L	36122UDY00	SGCC T=1.2, FT1081	1	
E04	FRAME TOP *R	36122UDZ00	SGCC T=1.2, FT1081	1	
E05	BASE UNDER *L	3610392201	SGCC T1.4 100x500	1	
E06	BASE UNDER *R	3610392301	SGCC T1.4 100x500	1	
E07	FRAME UPPER	36122UE000	SGCC 1.0T, FT1081	1	
E08	SCREW TAPPING	3616029950	TTS"S" HEX F/L 4X8	4	
E09	SPECIAL BOLT	3616029100	M4x12.5, MACHINE	2	
E10	STOPPER SPRING	3615202200	POM	2	
E11	COVER BACK AS	3611425520	COVER BACK+CUSHION	1	
E12	SENSOR PRESSURE	3614825330	DL-DW11-H AIR INLET 90 HOOK TYPE	1	
E13	UNIT DRAIN PUMP AS	36189L5K20	AL.220-240/50 B20-6 30W 6KG	1	220-240V 50Hz
		36189L5J20	AL.220/60 B20-5 35W 6KG	1	220V 60Hz
E14	CAP WATER REMAIN	3610916800	PP	1	
E15	HOSE WATER REMAIN	3613268700	EPDM, ID8.5, L200	1	
E16	LEG ADJUST AS	3617703811	CHINA PARTS, DWD-900W	4	
E17	HOSE DRAIN OUTER AS	3613274920	D-F'S L1960, EXPORT GENERAL	1	
E18	CLAMP HOSE	3611204701	DI=26	1	
E19	CLAMP HOSE	3611206410	NYLON, DA-16N, ID21.9 D-MU80	1	
E20	SCREW TAPPING	7122401411	T2S TRS 4*14 MFZN	1	

■ PLATE T AS + PANEL LOWER AS



No.	PART NAME	PART CODE	SPECIFICATION	Q'TY	REMARK
F01	PLATE TOP AS	3614533300	FX1X31~2, 41~2(HIPS, MFC, WH)	1	
		3614533310	F3~F4'S, SPRAY(ABS, MFC, SILVER)	1	
F02	SCREW TAPPING	7122401411	T2S TRS 4x14 MFZN	2	
F03	PANEL LOWER	3614282801	HIPS	1	
F04	COVER PUMP FILTER	3611425801	HIPS	1	

# 6. FUNCTIONS OF THE CONTROL PANEL



	<p><b>Program selector</b>          For switching the washing machine on and off and for selecting the programs. You can select the course you want by rotating program selector. For the more detailed information, please refer to the page 11~20. Can be rotated in both direction. You can turn off the power by rotating program selector to the direction at 12 o'clock. Even if the program selector rotates while the program is running, the program is not changed(except for off ).</p>
	<p>Operation and temporary stop is repeated as it is pressed. When you want to change program in operating; press the 'Start/Hold' button → select the program that you want to change → press the 'Start/Hold' button again.</p>
	<p><b>Rinse+</b></p> <ul style="list-style-type: none"> <li>• Is used to add a rinse, which may assist in removing traces of detergent residue.</li> <li>• By selecting Rinse+ function, the rinse time and the rinse water are increased.</li> <li>• Rinse+ option is selectable with all programs except Rinse, Spin and Drain programs.</li> </ul>
	<p><b>Rinse Hold</b></p> <ul style="list-style-type: none"> <li>• This function leaves clothes in the machine suspended in the water after a rinse without entering into spin.</li> <li>• To proceed through to a drain or spin, after the Rinse Hold function is completed, use program selector(Drain or Spin program).</li> <li>• Rinse Hold option is selectable with all programs except Drain program.</li> </ul>
	<p><b>Time Delay</b></p> <ul style="list-style-type: none"> <li>• It can be used to pre-engage time for wash.</li> <li>• Reservation can be made from 1 hours to 12 hours.</li> <li>• Time Delay function is selectable with all programs.</li> </ul>
	<p><b>Child Lock Mode</b></p> <ul style="list-style-type: none"> <li>• Use this function when you want to protect any accident occurring from handling of washer by a child.</li> <li>• During an operation of washer, press 'Rinse+' and 'Rinse Hold' buttons simultaneously.</li> <li>• In Child Lock mode, no button functions except for off .</li> <li>• In Child Lock mode, press 'Rinse+' and 'Rinse Hold' buttons simultaneously like setting Child Lock and Child Lock is cancelled.</li> <li>• To change to the desired program, while in Child Lock mode;             <ol style="list-style-type: none"> <li>1. Press both the 'Rinse+' and 'Rinse Hold' buttons together once again.</li> <li>2. Press the Start/Hold button.</li> <li>3. Select the desired program and press the Start/Hold button again.</li> </ol> </li> </ul> <p>• The Child Lock will be cancelled when power is off .</p>



# 7. FUNCTIONS OF THE CONTROLLER

## ■ SEQUENCE CHART

Division	Progress Time	Cotton											
		COLD	40 °C		60 °C		60 °C PRE		95 °C				
		small	small	low	small	low	small	low	small	low			
P R E W A S H	Sensing	20sec.							■	■			
	Water Supply	2min.							■	■			
	Pre Wash	10min.											
		8min.								■	■		
	Drain	1min.								■	■		
	B-Spin	2min.								■	■		
Middle Spin	3min.								■	■			
W A S H	Sensing	20sec.	■	■	■	■	■	■	■	■	■	■	
	Water Supply	2min.	■	■	■	■	■	■	■	■	■	■	
	Wash 1 (Heating)	70min.										■	
		60min.									■	■	
		35min.				■	■		■	■	■	■	
		30min.				■	■	■	■	■	■	■	
		20min.			■	■	■	■	■	■	■	■	
	15min.		■	■	■	■	■	■	■	■	■		
Wash 2	83min.				■	■							
	33min.				■	■							
	23min.	■	■	■	■	■	■	■	■	■	■		
R I N S E	Drain	1min.	■	■	■	■	■	■	■	■	■	■	
	B-Spin	2min.	■	■	■	■	■	■	■	■	■	■	
	Middle Spin	4min.	■	■	■	■	■	■	■	■	■	■	
	Water Supply	2min.	■	■	■	■	■	■	■	■	■	■	
	Rinse 1	3min.	■	■	■	■	■	■	■	■	■	■	
	Drain	1min.	■	■	■	■	■	■	■	■	■	■	
	B-Spin	2min.	■	■	■	■	■	■	■	■	■	■	
	Middle Spin	4min.	■	■	■	■	■	■	■	■	■	■	
	Water Supply	2min.	■	■	■	■	■	■	■	■	■	■	
	Rinse 2	3min.	■	■	■	■	■	■	■	■	■	■	
	Drain	1min.	■	■	■	■	■	■	■	■	■	■	
	B-Spin	2min.	■	■	■	■	■	■	■	■	■	■	
	Middle Spin	4min.	■	■	■	■	■	■	■	■	■	■	
	Water Supply	2min.	■	■	■	■	■	■	■	■	■	■	
	Rinse 3	3min.	■	■	■	■	■	■	■	■	■	■	
S P I N	Drain	1min.	■	■	■	■	■	■	■	■	■	■	
	B-Spin	2min.	■	■	■	■	■	■	■	■	■	■	
	Main Spin	7min.	■	8" ■	8" ■	8" ■	8" ■	■	■	■	■	■	
		5min.	■	■	■	■	■	■	■	■	■	■	
	3min.	■	■	■	■	■	■	■	■	■	■		
END	Untangle	1min.	■	■	■	■	■	■	■	■	■	■	
	End	10sec.	■	■	■	■	■	■	■	■	■	■	
<b>Remained Time Display</b>			1:12	1:27	1:33	2:48	2:48	1:58	2:03	2:12	2:22		
<b>NOTE</b>													
• The washing time may vary by the amount of laundry, water pressure, water temperature and other washing conditions. If an unbalanced load is detected or if suds removing program operates, the washing time maybe extended. (Maximum increasing time is about 1hour.)													

Division	Progress Time	Synthetic				Wool & Handwash		Quick15	Silent Wash	Bulky	
		Cold	40°C	60°C	60°C PRE	Cold	30°C				
PRE WASH	Sensing	20sec.				■					
	Water Supply	2min.				■					
	Pre Wash	10min.									
		8min.				■					
	Drain	1min.				■					
	B-Spin	2min.				■					
Middle Spin	3min.				■						
WASH	Sensing	20sec.									
	Water Supply	2min.	■	■	■	■	■	■	1" ■	■	
	Wash 1 (Heating)	30min.									
		25min.									
		20min.		■	■	■					■
		15min.		■	■	■					■
	10min.		■	■	■		■			■	
	Wash 2	33min.									
		28min.									
		23min.	■	■	■	■					■
		20min.	■	■	■	■	■	■			■
18min.		■	■	■	■	■	■		■	■	
13min.	■	■	■	■	■	■	■	4" ■	■		
RINSE	Drain	1min.	■	■	■	■	■	■	1" ■	■	
	B-Spin	2min.	■	■	■	■	■	■	1" ■	■	
	Middle Spin	4min.	■	■	■	■	■	■	2" ■	■	
	Water Supply	2min.	■	■	■	■	■	■	1" ■	■	
	Rinse 1	3min.	■	■	■	■	■	■	1" ■	■	
	Drain	1min.	■	■	■	■	■			■	
	B-Spin	2min.	■	■	■	■	■			■	
	Middle Spin	4min.	■	■	■	■	■			■	
	Water Supply	2min.	■	■	■	■	■			■	
	Rinse 2	3min.	■	■	■	■	■			■	
	Drain	1min.	■	■	■	■				■	
	B-Spin	2min.	■	■	■	■				■	
	Middle Spin	4min.	■	■	■	■				■	
	Water Supply	2min.	■	■	■	■				■	
	Rinse 3	3min.	■	■	■	■				■	
SPIN	Drain	1min.	■	■	■	■	■	■	1" ■	■	
	B-Spin	2min.	■	■	■	■	■	■	1" ■	■	
	Main Spin	7min.	■	■	■	■	■	■		■	
		5min.	■	■	■	■	■	■		■	
	3min.	■	■	■	■	■	■	2" ■	■		
END	Untangle	1min.	■	■	■	■	■	■		■	
	End	10sec.	■	■	■	■	■	■		■	
<b>Remained Time Display</b>			1:12	1:32	1:32	1:48	57	1:07	15	1:07	1:32

**NOTE**

• After the rinse progress in Quick 15 course, the washer operating drain progress only without middle spin progress. (Washing temperature 'Cold', spin '800' rpm and rinse '1' time are selected automatically.)

Division	Progress Time	Intensive	Baby Care	Sports Wear	Rinse+ Spin	Rinse	Spin			Drain	
							400	800	1000		
P R E W A S H	Sensing	20sec.									
	Water Supply	2min.	■	■							
	Pre Wash	10min.									
		8min.	■	■							
	Drain	1min.	■	■							
	B-Spin	2min.	■	■							
Middle Spin	3min.	■	■								
M A I N W A S H	Sensing	20sec.									
	Water Supply	2min.	■	■	■						
	Wash 1 (Heating)	50min.	■	■							
		25min.	■	■							
		20min.	■	■							
	Wash 2	33min.	■								
18min.		■	■								
13min.		■	■	■							
R I N S E	Drain	1min.	■	■	■	■	■				
	B-Spin	2min.	■	■	■	■	■				
	Middle Spin	4min.	■	■	■	■	■				
	Water Supply	2min.	■	■	■	■	■				
	Rinse 1	3min.	■	■	■	■	■				
	Drain	1min.	■	■	■						
	B-Spin	2min.	■	■	■						
	Middle Spin	4min.	■	■	■						
	Water Supply	2min.	■	■	■						
	Rinse 2	3min.	■	■	■						
	Drain	1min.	■	■							
	B-Spin	2min.	■	■							
	Middle Spin	4min.	■	■							
	Water Supply	2min.	■	■							
	Rinse 3	3min.	■	■							
S P I N	Drain	1min.	■	■	■	■		■	■	■	■
	B-Spin	2min.	■	■	■	■		■	■	■	
	Main Spin	7min.	8" ■	■	■	■	■		■	■	8" ■
		5min.	■	■	■	■		■	■	■	
		3min.	■	■	■	■		■	■	■	
END	Untangle	1min.	■	■	■	■		■	■	■	
	End	10sec.	■	■	■	■		■	■	■	
<b>Remained Time Display</b>			2:29	2:13	50	23	13	11	11	12	1
<b>NOTE</b>											
• Spin speed 400 rpm is selected automatically with Wool, Sports Wear, Hand Wash courses.											

## 8. FUNCTION OF THE CONVENIENT SERVICE

### ■ The test mode of the operation

You can check the PCB ASSY and the operation of the washing machine simply.

#### • The method to test and operate

- ① Turning right or left the Program selector.
- ② Press the 'Rinse Hold' button 3 times while press 'Rinse +' button.  
At this time, the version is displayed on the Custom LED.
- ③ Whenever the 'Time Delay' button is pressed, the washing machine is operated as following.  
HC(Hot and Cold) → LC(Lock Switch Close) → run/00(The number of running times)  
→ E6/00 → E7/00 → E8/00 → H(Hot Valve) → C(Cold Valve)  
→ P(Pre-Wash Valve) → bb(Bubble) → dr(Drain Pump)  
→ LC(Lock Switch Close) → ...(repetition)

### ■ The spinging test mode

You can continually spin the washing machine with constant speed.

#### • The method to test and operate

- ① Turning right or left the Program selector.
- ② Press the 'Time Delay' button 3 times while press 'Rinse Hold' button.
- ③ '650' display on '18:88 LED'. '650' means the spinning rpm.  
You can adjust the spinning rpm by pressing 'Rinse +' button.  
And this value increases by 50 up to 1000 or 1200.
- ④ When press 'Start/Hold' button, the washing machine continually operates with given spinning rpm.

## 9. TROUBLESHOOTING GUIDE

This washing machine is equipped with automatic safety function which detect and diagnose faults at an early stage and react appropriately.

When the machine does not function properly or does not function at all, check the following points.

SYMPTOM	CAUSE	SOLUTION
Rattling and clanking noise.	Foreign objects such as coins or safety pins maybe in the drum or pump.	Stop washer and check drum and filter.
Thumping sound.	Heavy wash loads may produce a thumping sound. This is usually normal.	If sound continues, washer is probably out of balance. Stop and redistribute wash load.
Vibrating noise.	Have all the transit bolts and packing been removed?	If not removed during installation, refer to installation guide for removing transit bolts.
	Are all the feet resting firmly on the ground?	Wash load may be unevenly distributed in drum. Stop washer and rearrange wash load.
Water leaks.	Inlet hoses or drain hose are loose at tap or washer.	Check and tighten hose connections.
	House drain pipes are clogged.	Unclog drain pipe. Contact plumber if necessary.
Oversudsing.		Too much detergent or unsuitable detergent may cause excessive foaming which may result in water leaks.
Water does not enter washer or it enters slowly.	Water supply is not adequate in area.	Check another tap in the inlet house.
	Water supply tap is not completely open.	Fully open tap.
	Water inlet hose is kinked.	Straighten hose.
	The filter of the water inlet is clogged.	Check the filter of the water inlet.
Water in the washer does not drain or drains slowly.	Drain hose is kinked or clogged.	Clean and straighten drain hose.
	The drain filter is clogged.	Clean the drain filter.

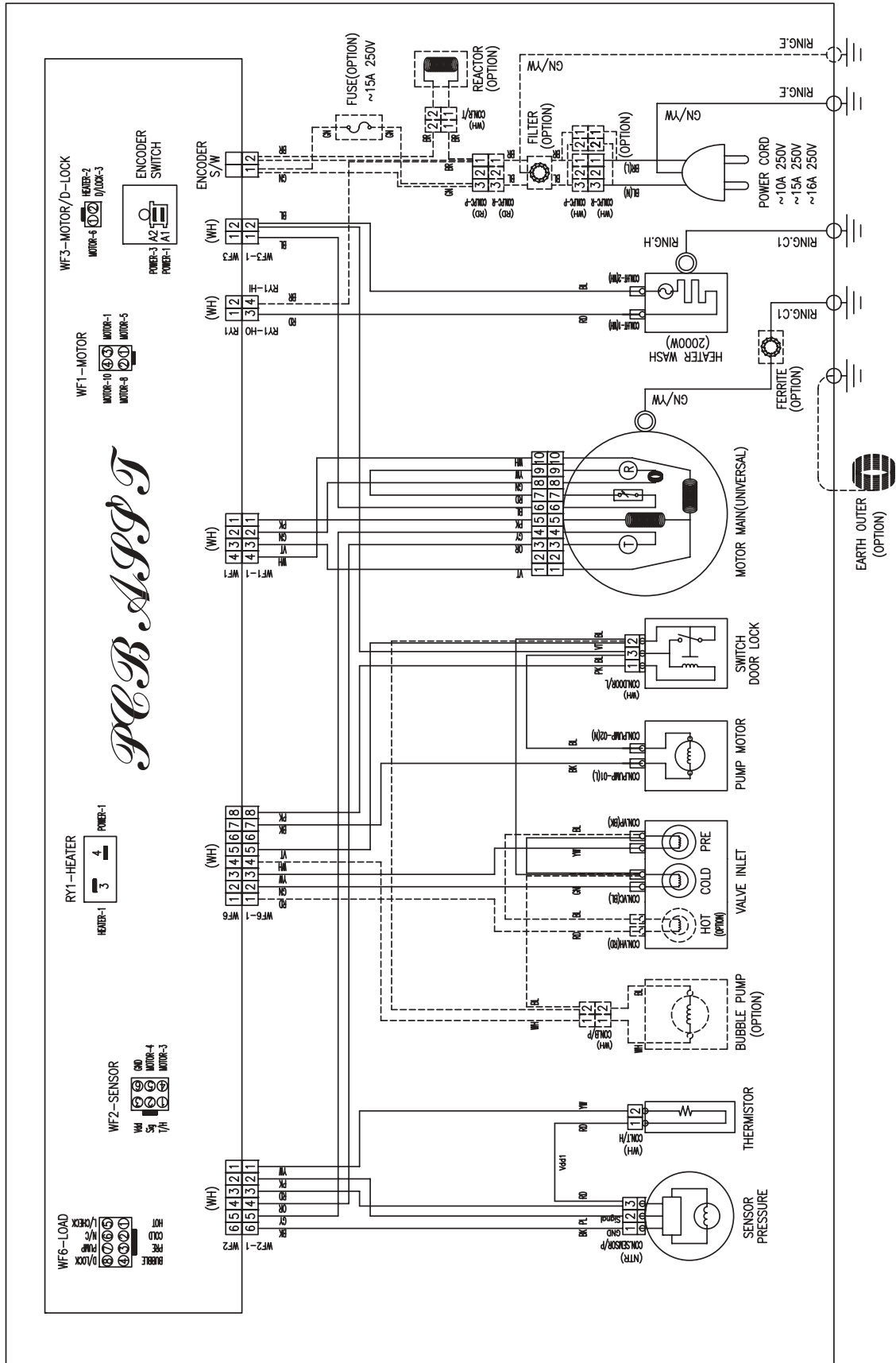
SYMPTOM	CAUSE	SOLUTION
Washer does not start.	Electronical power cord may not be plugged in or connection may be loose.	Make sure plug fits tightly in wall outlet.
	House fuse blown, circuit breaker tripped, or a power outage has occurred.	Reset circuit breaker or replace fuse. Do not increase fuse capacity. If problem is a circuit overload, have it corrected by a qualified electrician.
	Water supply tap is not turned on.	Turn on water supply tap.
Washer will not spin.	Check that the door is firmly shut.	Close the door and press the Start/Hold button. After pressing the Start/Hold button, it may take a few moments before the clothes washer begins to spin. The door must lock before spin can be achieved.
Door does not open.		Once started, the door can not be opened for safety reasons. Wait two minutes before opening the door to give the electric locking mechanism time to release.
Wash cycle time delayed.		The washing time may vary by the amount of laundry, water pressure, water temperature and other usage conditions. If the imbalance is detected, the wash time shall be increased.
The washer will stop during spinning . Spinning is insufficient.	PFE error due to much detergent and unsuitable detergent. The drain pump or filter is clogged.	If PFE error mode was displayed on the control part, in order to solve this problem, first turn off the power of the washing machine, second turn on the power washing machine.

MESSAGE	ERROR	CAUSE	SOLUTION
IE	WATER INLET ERROR	The water tap is closed.	Open the water tap.
		The filter of the valve inlet is clogged.	Clean the filter of the valve inlet.
		The valve inlet is an inferior product or broke down.	Change the valve inlet.
		The water level sensor (sensor pressure) is an inferior product or broke down.	Change the water level sensor (sensor pressure).
		The drain motor works during water supply.	Change the drain motor.
		The PCB ASS'Y does not check the water level.	Change the PCB ASS'Y.
OE	DRAIN ERROR	The drain hose is kinked or clogged.	Clean and straighten the drain hose.
		The drain motor is an inferior product.	Change the drain motor.
		The valve inlet works during drain.	Change the valve inlet.
		The water level sensor is an inferior product.	Change the water level sensor.
		The PCB ASS'Y does not check the water level.	Change the PCB ASS'Y.
UE	UNBALANCE ERROR	The laundry is concentrated to one side of the drum during spin.	Rearrange the laundry.
LE	DOOR OPEN ERROR	The Start/Hold button is pressed while the door is opened.	Close the door.
		The switch door lock is an inferior product.	Change the switch door lock.
		The PCB ASS'Y does not check the door lock.	Change the PCB ASS'Y.
E2	OVERFLOW ERROR	The water is supplied continuously due to an inferior valve inlet.	Change the valve inlet.
		The valve inlet is normal, but the water level sensor (sensor pressure) is inferior.	Change the water level sensor (sensor pressure).
		The drain motor does not work. (The drain motor is an inferior product or broke down.)	Change the drain motor.
E4	LEAKAGE ERROR	Water leaks from the tub or the hose drain.	Check the leak of the tub or the hose drain. Then change the tub or the hose drain.
E8	MOTOR ERROR	The motor is not normally connected.	Check the connector of the motor.
		The motor does not work. (The motor is an inferior product or broke down.)	Change the motor.
E9	SENSOR PRESSURE ERROR	The water level sensor is an inferior product.	Change the water level sensor.
H2	THERMISTOR WASH ERROR	The thermistor wash is an inferior product or broke down.	Change the thermistor wash.
		The thermistor wash is not connected normally.	Check the connector of the thermistor wash.
H4	THERMISTOR WASH OVERHEATING ERROR	The heater worked without the water in the tub.	Check the water level.
		The thermistor wash is an inferior product or broke down.	Change the thermistor wash.

MESSAGE	ERROR	CAUSE	SOLUTION
H5	WATER TEMP. ERROR	The water temp. is over 45°C in delicate & wool course. (The thermistor wash is an inferior product or broke down.)	Change the thermistor wash.
H6	HEATER WASH ERROR	The heater wash dose not work. (The water temp. doesn't rise over 2°C during 15min.)	Change the heater wash.
H8	HEATER WASH OVERHEATING ERROR	The heater worked without the water in the tub.	Check the water level and the heater wash.
PFE	PUMP FILTER ERROR	The drain pump filter is clogged.	Clean the drain pump filter.
		The drain pump does not work during spin.	Change the drain pump.
		The large amount of detergent was used.	Use the proper amount of detergent.
		The drain hose is placed higher than 1m above the floor.	Place the drain hose 1m below the floor.



# 10. WIRING DIAGRAM





**DAEWOO ELECTRONICS CORP.**

1-2, Jeo-dong 1(ii)-ga, Jung-gu, Seoul, Korea

C.P.O. BOX 8003 SEOUL, KOREA

TELEX: DWELEC K28177-8

CABLE: □AEWOOELEC"

PRINTED DATE: May. 2011

S/M NO. :

# ABOUT THIS MANUAL

VISION CREATIVE, INC.

서울 종로구 통의동  
6번지 이룸빌딩 4층

담 당	황의근 님	
MODEL	DWD-FT1081/FT1082/FT1083 (S/M)	
접 수	2011.03.21	
일 정	1차	
	2차	
	3차	
	4차	
	5차	
제 판	한	인 쇄
규 격		
MEMO 총 34p 11.03.21-전체신규 34p 11.03.22-24p, 25p, 26p 수정_신규 3p 11.05.24-표지, 표지뒤, 2p, 16p, 23p, 27p 수정_신규 6p		

연락처

VISION 담당 방문수

TEL: 730-0660 FAX: 730-3788