

S/M No.:FPX6034501

# Service Manual

## Mineral Water) Refrigerator



### ✓ Caution

In this manual, some parts can be changed for improving their performance without notice. So, If you need the latest parts information, please visit and refer to PPL (Parts Price List) in Service Information Center. ( <http://svc.dwe.co.kr> )

**Basic Model(B-Type)**

▶Notice : FPS - R-134a Model , FPN - R-600a Model



*F/Model : FRX-623B..  
B/Modle : FRS(N)-X22B3..*



*F/Model : FRX-624B..  
B/Modle : FRS(N)-X22B4..*



*F/Model : FRX-625B..  
B/Modle : FRS(N)-X22B5..*

**Dispenser Model (D-Type) / Dispenser + Magic Room Model (E-Type)**



*F/Model : FPX-603D(E)..  
B/Modle : FPS(N)-X22D(E)3..*



*F/Model : FPX-604D(E)..  
B/Modle : FPS(N)-X22D(E)4..*



*F/Model : FPX-605D(E)..  
B/Modle : FPS(N)-X22D(E)5..*

**Dispenser +Homebar Model (F-Type) / Dispenser+Homebar+Magic Room (G-Type)**



*F/Model : FPX-603F(G)..  
B/Modle : FPS(N)-X22F(G)3..*



*F/Model : FPX-604F(G)..  
B/Modle : FPS(N)-X22F(G)4..*



*F/Model : FPX-605F(G)..  
B/Modle : FPS(N)-X22F(G)5..*

**1. Information**

Buyer No.		X22B3.. X22B4.. X22B5..	X22D(F)3.. X22D(F)4.. X22D(F)5..	X22E(G)3.. X22E(G)4.. X22E(G)5..
Gross Vol. (ISO 15502)	Total	622	608	608
	Freezer	242	228	228
	Refrigerator	380	380	380
Storage Vol. (ISO 15502)	Total	577	549	538
	Freezer	204	179	179
	Refrigerator	373	359	359
Diemension	Width (mm)	906	906	906
	Depth (mm)	735	735	735
	Height (mm)	1770	1770	1770
Weight (kg)		98 kg	107 kg / 109kg	109 kg / 111kg

Cooling Cycle	Refrigerant Type	R-134a or R-600a	
	Refrigerant Charge	190g (R-134a) or 75g (R-600a)	
	Evaporator Type	Fin Type	
	Condenser Type	Compulsory Convection Type	
	Dryer	Molecular Sieve xH-9	
	Capillary Tube	ID0.7 x T0.55 x L2,340	
Heater	Defrost Heater	280W	
	Dispenser Heater	3W	
	Home Bar Heater	x	5W
	Water Pipe Heater	5W	
Sensor	Defrost Sensor	PBN-43	
	Freezer Sensor	PT-38	
	Refrigerator Sensor	PBN-43B	
Electronic Part	Fuse Temp. (Defrost)	AC 250V, 10A, 77C	
	Freezer Fan Motor	DC 12V, 1450rpm	
	Condenser Fan Motor	DC 13V, 1100rpm	
	Freezer Lamp	LED (DC12V / Basic : 1.8W , Disp. : 1.5W)	
	Refrigerator Lamp	LED(DC12V / 2.7W)	

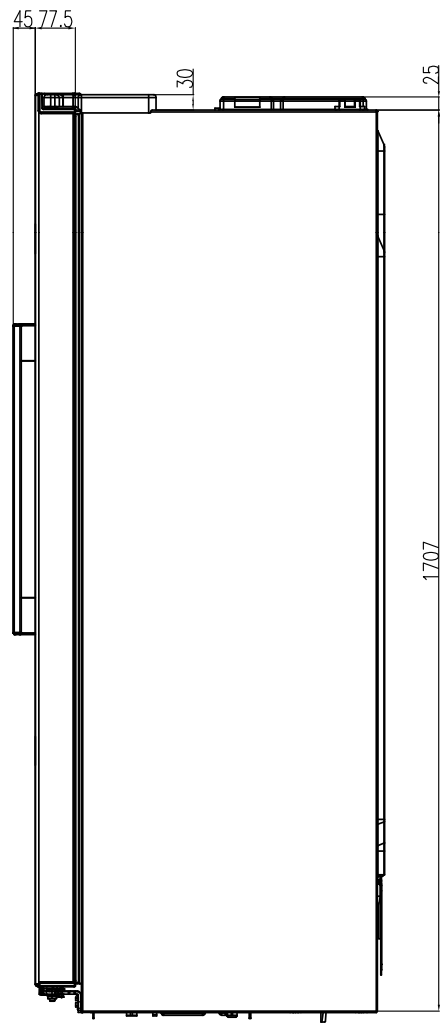
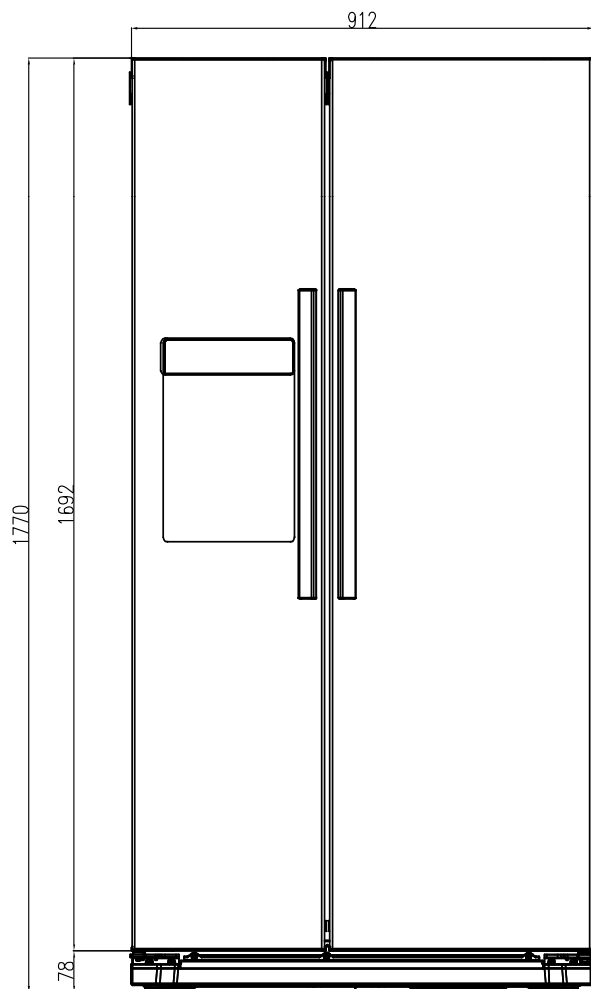
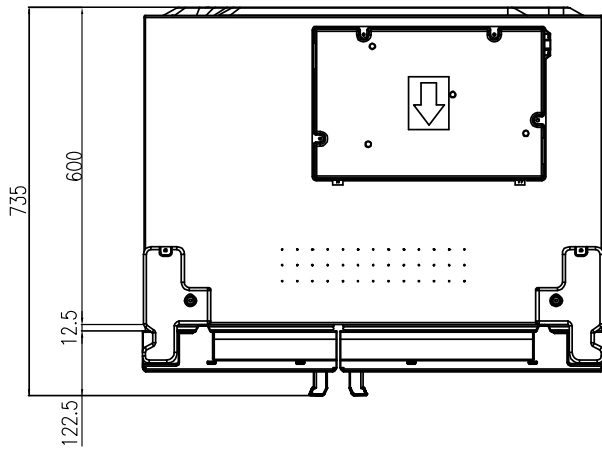
*X22B.. : Basic Model ( none Hombar , none dispenser) / X22H.. : Home bar door Only*

*X22D.. : Dispenser Only / X22F.. : Dispenser + Home bar door*

*X22E : Dispenser + Change Room*

*X22G : Dispenser + Home bar Door + Change Room*

2. Outside Dimension



[ The real features are model dependent ]

**3. Interior Parts(Basic)**



**1. Door storage compartment**

; for shot-term storage

**2. Door storage compartment**

; for storing frozen food

**3. Freezer shelf**

; for storing frozen food

**4. Ice cube tray**

**5. Freezer case**

; for storing dried or fish, meat for long periods of time.

**6. Xpress can chiller**

; for storing beverage ( quick cooling compartment )

**7. Refrigerator shelf**

; for storing common foods

**8. Vegetable case**

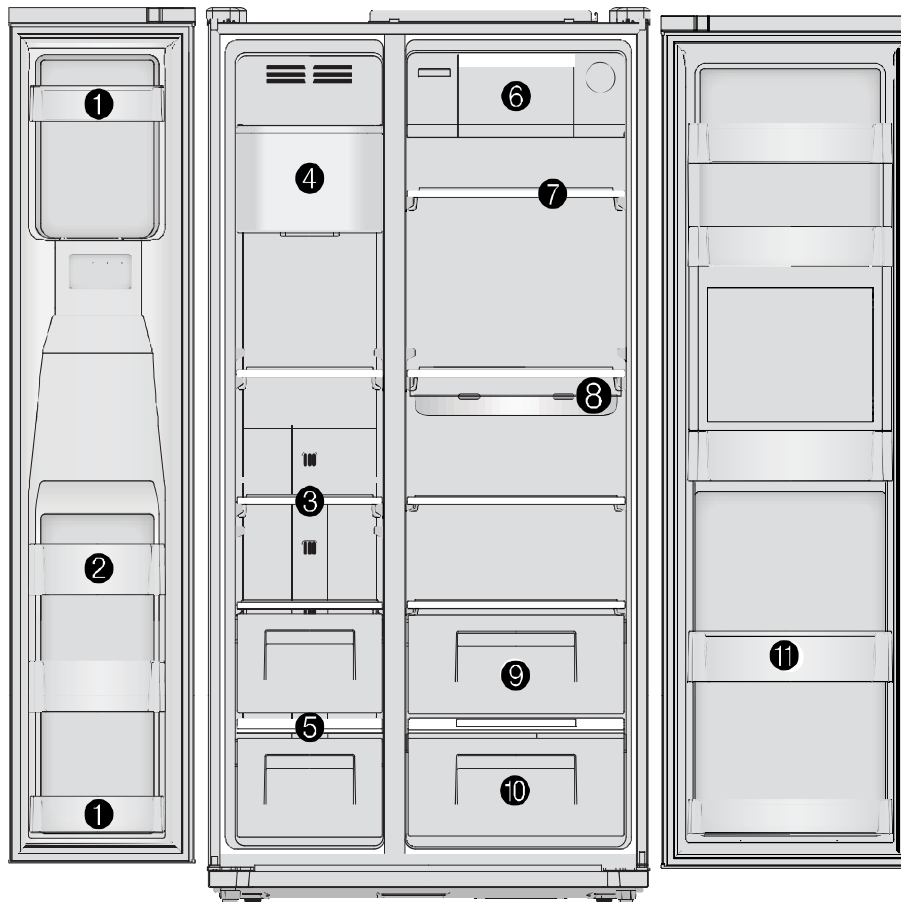
**9. Fruit case**

; for storing cold water

**10. Refreshment pocket**

;for storing refrigerating foods. ( milk, juice, beer bottles, etc.. )

**3. Interior Parts(Dispenser +H/bar)**



※ The real features are model dependent.

**1. Door storage compartment**

; for shot-term storage

**2. Door storage compartment**

; for storing frozen food

**3. Freezer shelf**

; for storing frozen food

**4. Ice maker & storage case**

**5. Freezer case**

; for storing dried or fish, meat for long periods of time.

**6. Xpress can chiller**

; for storing beverage ( quick cooling compartment )

**7. Refrigerator shelf**

; for storing common foods

**8. Water tank**

; for storing cold water

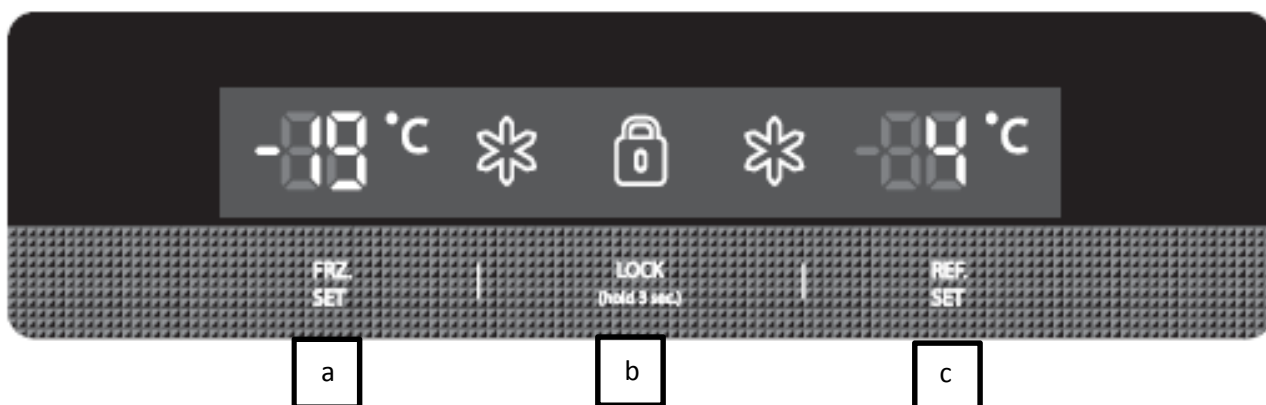
**9. Vegetable case**

**10. Fruit case**

**11. Refreshment pocket**

; for storing refrigerating foods. ( milk, juice, beer bottles, etc.. )

1. Display (Basic)



- a Temperature adjustment button for freezer compartment.
- b Lock & Unlock button.
- c Temperature adjustment button for refrigerator compartment.

2. Display Control

FCP	Control
Temp.Display(Set Temp.)	Initial Mode : Freezer / Refrigerator set medium ( -19C / 4C)
Quick Freezer & Refresh Compartment	Button
Key Lock	Button

3. FRZ.SET button

- 1) Temperature control of freezer compartment.
  - 2) Initial power plug in : Medium ( -19C )
- Every time you press the FRZ.SET button, the setting temperature changes below order.



4. REF.SET button

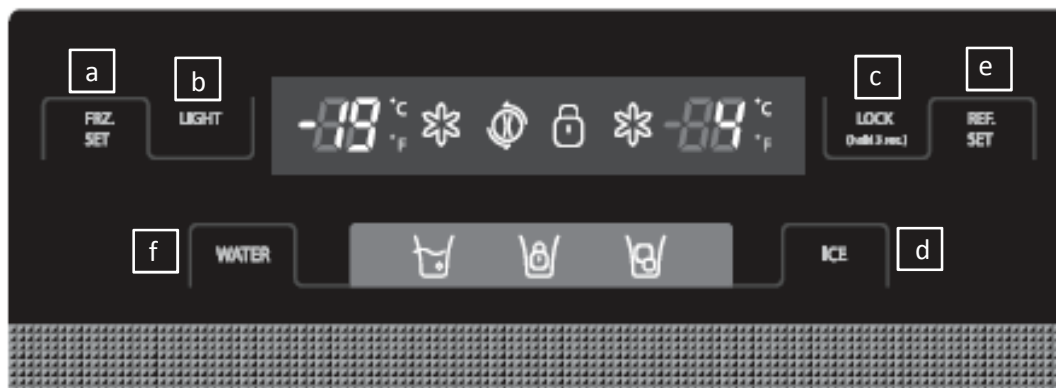
- 1) Temperature control of refrigerator compartment
  - 2) Initial power plug in : Medium (4C)
- Every time you press the REF.SET button, the setting temperature changes below order.



5. Lock Mode (Childproof lock)

- 1) When lock the other buttons, press LOCK button.(In this mode other buttons are unable)
- 2) To unlock, press again for 3 seconds.

1. Display



- a Temperature adjustment button for freezer compartment.
- b Dispenser light button.
- c Lock & Unlock button.
- d Lock ice maker & cubed ice selection button.
- e Temperature adjustment button for refrigerator compartment.
- f Water dispenser selection button.

2. Display Control

FCP	Control
Temp. Display (Set Temp.)	Initial Mode : Freezer / Refrigerator set medium ( -19C / 4C)
Quick Freezer & Refresh Compartment	Button
Lock ice maker / Cubed ice	Button
KEY LOCK	Button

3. FRZ.SET button

- 1) Temperature control of freezer compartment.
  - 2) Initial power plug in : Medium ( -19C )
- Every time you press the FRZ.SET button, the setting temperature changes below order.





**4. REF.SET button**

1) Temperature control of refrigerator compartment

2) Initial power plug in : Medium ( 4C )

- Every time you press the REF.SET button, the setting temperature changes below order.



**5. WATER/ICE select**

1) When push the WATER button, water dispensing available.

2) When push the ICE button, cubed ice dispensing available.

3) The initial mode is WATER.

**6. ICE MAKER LOCK**

1) Push the 'ICE' button for 3 seconds. To unlock push the ICE button for 3 seconds.



2) When cleaning the ice storage case or when not use for a long period of time.

**7. LOCK Mode (Childproof lock)**



1) When lock the other buttons, press LOCK button.

( In this mode other buttons are unable )

2) To unlock, press again for 3 seconds .

**< REFERENCE >**

: Please wait for 2 ~ 3 seconds in order to take final ice or drops of water when taking out cup from the pressing switches after taking ice or water.

: The actual inner temperature varies depending on the frood status, as the indicated setting temperature is a target temperature, not actual temperautre within refrigerator.

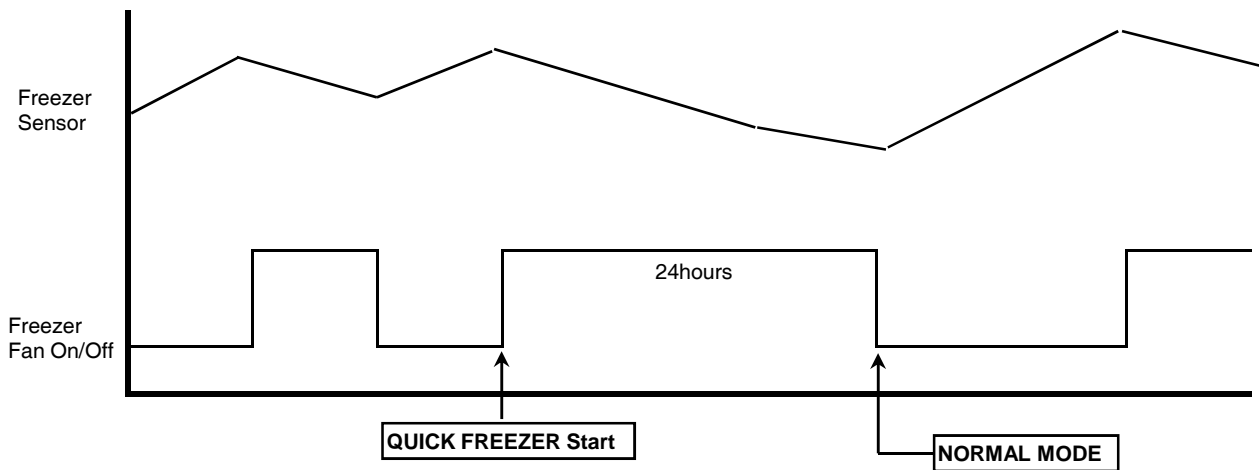
**1. Freezer Compartment Control**

- 1) Adjust by the pushing the FRZ.SET button.
- 2) Compressor & Freezer Fan controlled by each mode ON/OFF point.
- 3) Freezer Compartment ON/OFF Difference : 4C
  - MEDIUM OFF point : -19.8C
- 4) Control Temperature Point in Each Mode

Division		Initially On	1st Press	2nd Press	3rd Press	4th Press	5th Press	6th Press	7th Press
Display		-19	-20	-21	-22	-22 (super)	-16	-17	-18
Temperature Control		Medium	Medium Max		Max	-	Min	Medium Min	
Normal	Sensor On	-15.8	-16.8	-18.8	-18.8	-	-10.6	-13.9	-14.8
	Sensor Off	-19.8	-20.8	-22.8	-22.8	-	-15.1	-17.9	-18.8

6) QUICK FREEZER (  ) Mode

- In this mode, Compressor & freezer Fan motor is on unconditionally for 24hours. ( free of freezer sensor )

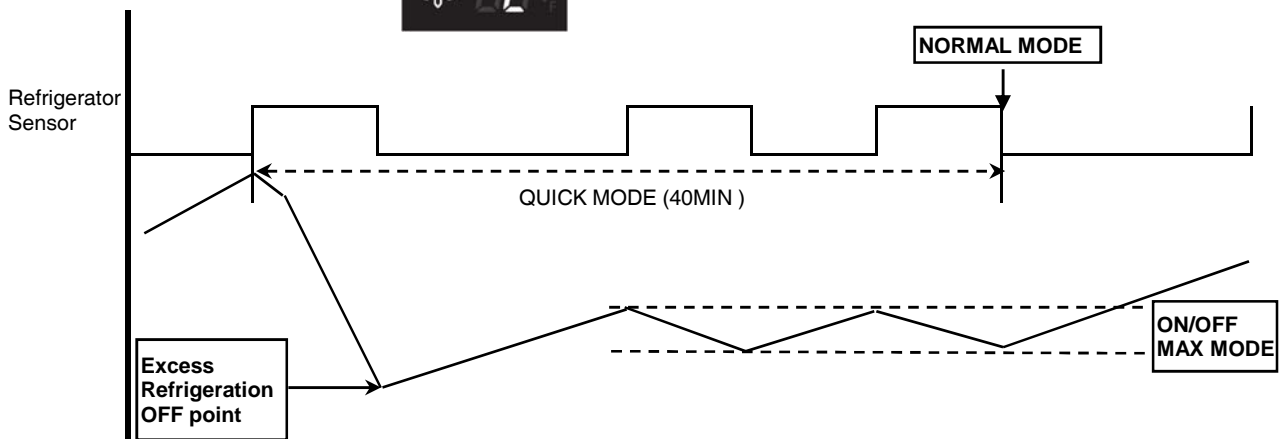


**2. Refrigerator Compartment Control**

- 1) Adjust by the pushing the REF.SET button.
- 2) Refrigerator Damper controlled by each mode ON/OFF point.
- 3) Refrigerator Compartment ON/OFF Difference : 0.5C
  - MEDIUM OFF point : 6.0C
- 4) Weak Cooling Prevention Function
  - This funtion is free of Freezer sensor.
  - When refrigerator compartment reaches the OFF point, compressor is controlled by freezer sensor.
  - Weak cooling temperautre is + 7C in each dial sensor OFF temperature.
  - Weak cooling terminate temperautre is same as each dial sensor OFF temperature.
- 5) Control Temperature Point in Each Mode

Division		Initially On	1st Press	2nd Press	3rd Press	4th Press	5th Press	6th Press	7th Press
Display		4	3	2	2 (super)	8	7	6	5
Temperature		Medium	Medium Max	Max	-	Min	Medium Min		
Normal	Sensor On	6.5	5.5	4.5	-	10.5	9.5	8.5	7.5
	Sensor Off	6.0	5.0	4.0	-	10.0	9.0	8.0	7.0
Weak refrigeration	Sensor On	13.0	12.0	11.0	-	17.0	16.0	15.0	14.0
	Sensor Off	6.0	5.0	4.0	-	10.0	9.0	8.0	7.0

6) QUICK REFRIGERATOR Mode (  ) : This mode runs for 40 minutes.



- Until the sensor reaches the Excess Refrigeration OFF point ( -7C), Refrigerator Damper, freezer fan and compressor is ON.
- Until the QUICK Mode ends, the appliance runs with MAX dial mode.
- After QUICK Mode ( about 40 mins ) the normal mode start.

**3. Fan voltage per control mode**

**Exerted fan motor voltage**

<i>Mode</i>	<i>F-Fan</i>	<i>C-Fan</i>
<i>Normal mode</i>	<i>10 V</i>	<i>13 V</i>
<i>Super Freezer mode</i>	<i>13 V</i>	<i>13 V</i>
<i>Load mode / 4 hours after defrosting / RT &gt;= 38C</i>	<i>13 V</i>	<i>13 V</i>

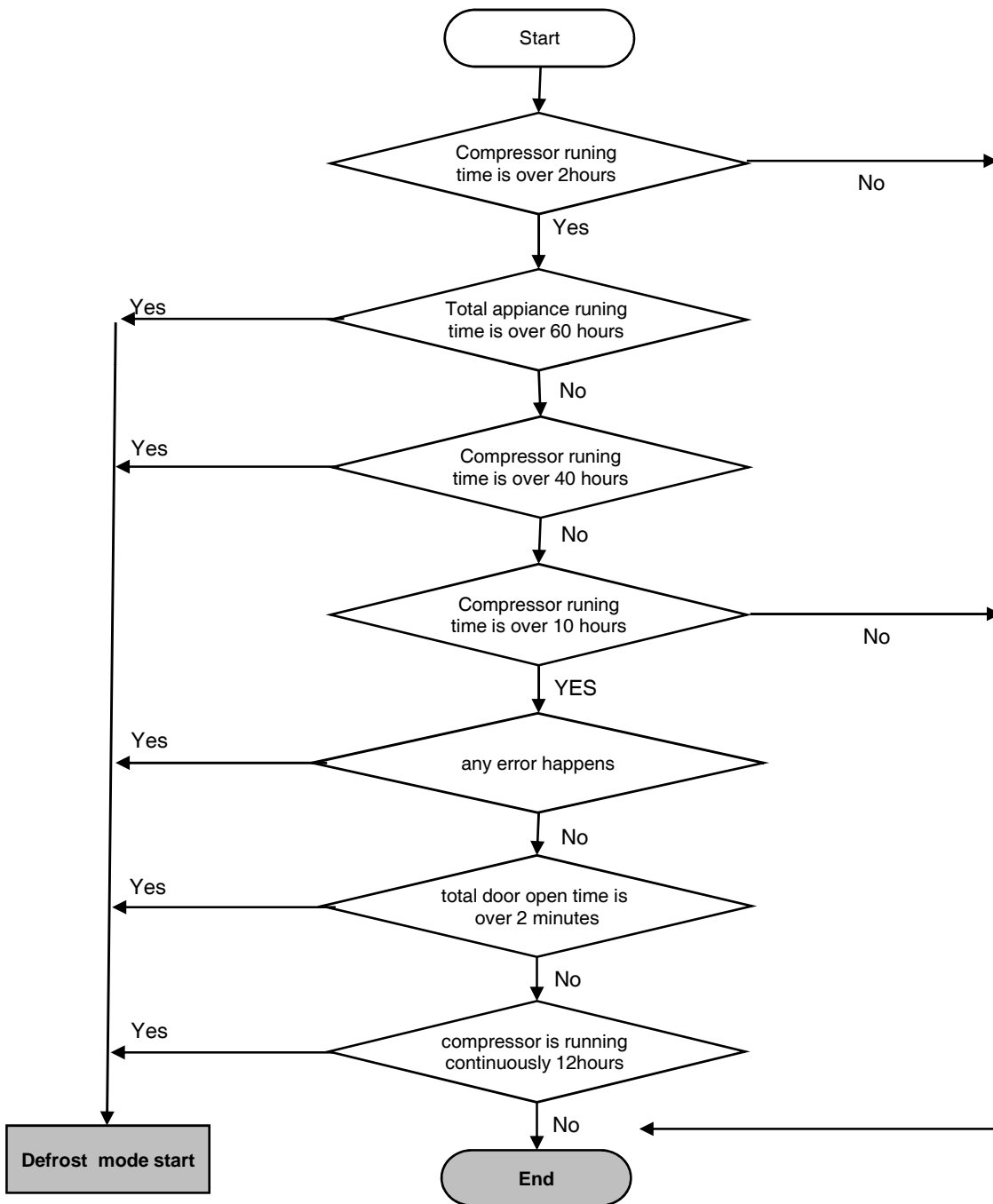
- 1) Normal control : Slow operation mode with relatively low noise level.
- 2) Load mode : Operation mode which need to be operated by temperature rise at inner side of refrigerator according to operating condition.

**4. Load mode**

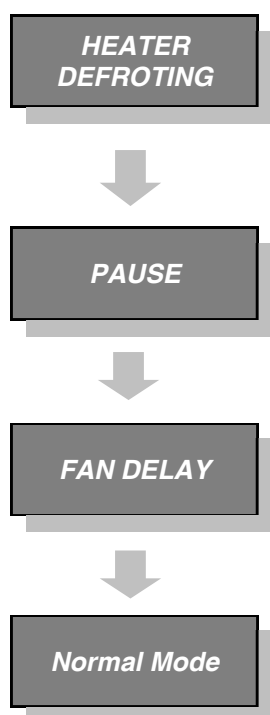
- 1) Purpose : To recover temperature rise inside of refrigerator as quickly as possible by load or frequent door opening.
- 2) Operating condition
  - When door opening time is more than 1 minutes per 1 time -> Frz. / Ref. go to load mode.
  - When sensing more than R/S On Point + 5deg : Ref. load response.
  - When sensing more than F/S On Point + 5deg : Frz. load response.
- 3) Conditions for inactive load response mode.
  - When there is no door opening signal during and after defrost cycle, load response mode is inactive.
- 4) Terminate condition
  - After 20 mintues.
  - When Ref. sensor reaches to off point, Ref. load mode ends.
  - When Frz. sensor reaches to off point, Frz. load mode ends.

1. When Defrost Mode start?

- 1) When total Compressor running time becomes at 10,12,14..40hours.
  - Door opening time is over 2 minutes ( Each Freezer / Refrigerator door )
  - Any error happens. ( R1, F1, D1, F3, RT-Sensor, C1, Door switch etc. )
  - The compressor running time is over 12 hours.
- 2) Total compressor running time ( on time + off time ) is 70hours.



**2. Normal Defrost Mode**



**1) HEATER DEFROSTING**

- Defrost heater is switch on until Defrost Sensor temperature reaches 13C.
- Heater operation time
  - ; 30 seconds - Heater is ON free of Defrost Sensor.
  - ; 30 minutes - When Defrost Sensor is malfunction. ( D1 error )
  - ; 60 minutes - Heater maximum operation time. ( F3 error)

**2) PAUSE**

- After Defrost Heater switch OFF, Compressor dosen't run within 10 minutes.

**3) FAN DELAY**

- Freezer & Refrigerator fan switch on after 5miunuts' cmopressor running.

<i>Division</i>	<i>HEATER DEFROST</i>	<i>PAUSE</i>	<i>FAN DELAY</i>
<i>Compressor</i>	<i>OFF</i>	<i>OFF</i>	<i>ON</i>
<i>Freezer Fan</i>	<i>OFF</i>	<i>OFF</i>	<i>OFF</i>
<i>Refrigerator Fan</i>	<i>OFF</i>	<i>OFF</i>	<i>OFF</i>
<i>Defrsot Heater</i>	<i>ON</i>	<i>OFF</i>	<i>OFF</i>
<i>Time</i>	<i>30min ( D1 error ) 60min ( F3 error)</i>	<i>10min</i>	<i>5min</i>

**1. How to enter this check mode**

- 1) Push the LOCK button.
- 2) Push the LOCK button 5 times while pressing the FRZ.SET button.



**2. The Front LED displays the current error code ( if happens ).**

; Every time you press the Freezer Set button, the following value display.

- 1) The appliance running time. ( From the plug in. )
- 2) Freezer sensor temperature.
- 3) Defrost sensor temperature.
- 4) Refrigerator sensor temperature.
- 5) Room temperature.

**3. How to exit this mode**

- 1) Push the LOCK button.
- 2) After 4 minutes automatically exit.

**4. Error Code**

No	Display (Error Code)	Remark
1	<b>F1</b>	Freezer sensor disconnection or short
2	<b>r1</b>	Refrigerator sensor disconnection or short
3	<b>rt</b>	Room temperature sensor disconnection or short
4	<b>d1</b>	Defrost sensor disconnection or short
5	<b>dr</b>	Refrigerator Door switch is defective.
6	<b>dF</b>	Freezer Door switch is defective.
7	<b>C1</b>	Abnormal or defective cycle
8	<b>F3</b>	Return after defrosting : abnormal or defective
9	<b>Co</b>	Pull-Down mode display (No error)
10	<b>d2</b>	Forced Defrost mode display (No error)

; All Error Code reset, when the relative parts turn into normal.

**1. How to enter this check mode**

- 1) Push the LOCK button.
- 2) Push the WATER button 5 times while pressing the FRZ.SET button.



**2. The Front LED displays the current error code ( if happens ).**

; Every time you press the Freezer Set button, the following value display.

- 1) The appliance running time. ( From the plug in. )
- 2) Freezer sensor temperature.
- 3) Defrost sensor temperature.
- 4) Refrigerator sensor temperature.
- 5) Room temperature.
- 6) P Factor display.
- 7) Filter remaining time until exchange. ( Initial filter running time is about 4,320 Hour = 6 months )

**3. How to exit this mode**

- 1) Push the LOCK button.
- 2) After 4 minutes automatically exit.

**4. Error Code**

No	Display (Error Code)	Remark
1	<b>F1</b>	Freezer sensor disconnection or short
2	<b>r1</b>	Refrigerator sensor disconnection or short
3	<b>rt</b>	Room temperature sensor disconnection or short
4	<b>d1</b>	Defrost sensor disconnection or short
5	<b>dr</b>	Refrigerator Door switch is defective.
6	<b>dF</b>	Freezer Door switch is defective.
7	<b>dH</b>	Home Bar Door switch is defective.
8	<b>EI</b>	Ice sensor disconnection or short
9	<b>EF</b>	Flow sensor is defective.
10	<b>Et</b>	Horizontal switch error
11	<b>Eg</b>	Water supply error
12	<b>EA</b>	Drop the ice while Et
13	<b>Eu</b>	Full ice switch error
14	<b>C1</b>	Abnormal or defective cycle
15	<b>F3</b>	Return after defrosting : abnormal or defective
16	<b>Co</b>	Pull-Down mode display (No error)
17	<b>d2</b>	Forced Defrost mode display (No error)

; All Error Code reset, when the relative parts turn into normal.



**5. Troubleshooting when error happens**

( If the relative parts is normal, Error code display will be reset. )

1) F1 error

- Cause : Freezer sensor disconnection or short.
- Check point : Measure the resistance of freezer sensor in the Main PCB.

If sensor is disconnected or short, change that in the freezer compartment.

- Error code display



Freezer sensor is short.



Freezer sensor is disconnected.

2) R1 error

- Cause : Refrigerator sensor disconnection or short.
- Check point : Measure the resistance of refrigerator sensor in the Main PCB.

If sensor is disconnected or short, change that in the refrigerator compartment.

- Error code display



Refrigerator sensor is short.



Refrigerator sensor is disconnected.

3) rt error

- Cause : Room temperature sensor disconnection or short.
- Check point : Measure the voltage of sensor part on the Main PCB.

If voltage is 0.5~4.5V, normal. If voltage is 0V (short) or 5V (disconnect), change new one.

- Error code display



RT sensor is short.



RT sensor is disconnected.

4) d1 error

- Cause : Defrost sensor disconnection or short.
- Check point : Measure the resistance of defrosting sensor in the Main PCB.

If sensor is disconnected or short, change that on the evaporator.

- Error code display



Defrost sensor is short.



Defrost sensor is disconnected.

5) Door switch error ( dr, dF, dH on display )

- Cause : When it senses the door open for more than 1 hour.
- Check point : Check the each door switch and exchange.

6) EI error

- Cause : Ice sensor is abnormal.
- Check point : Measure the resistance between both terminals after separating CN11 of the Main PCB.

If sensor is disconnected or short, change that in the automatic ice maker.

7) Et error

- Cause : Level switch abnormal. ( No pulse is sensed for some time. )
- Control : By time. ( Supply mode is skipped. )

8) Eg error

- Cause : When Ice sensor temperature ( 5 minutes after water supply ) doesn't go up.
- Check point : Ice sensor or water supply line.

9) EA error

- Cause : When sensing ice drop 3 times in level sensor switch error.
- Control : Stop ice maker
- After 1 time rotation EA error code disappear if level switch is normal.

10) Eu error

- Cause : Sensor which senses if ice is full or not is abnormal.
- Control : When drops the ice, the motor rotates 90 degree.

11) C1 error

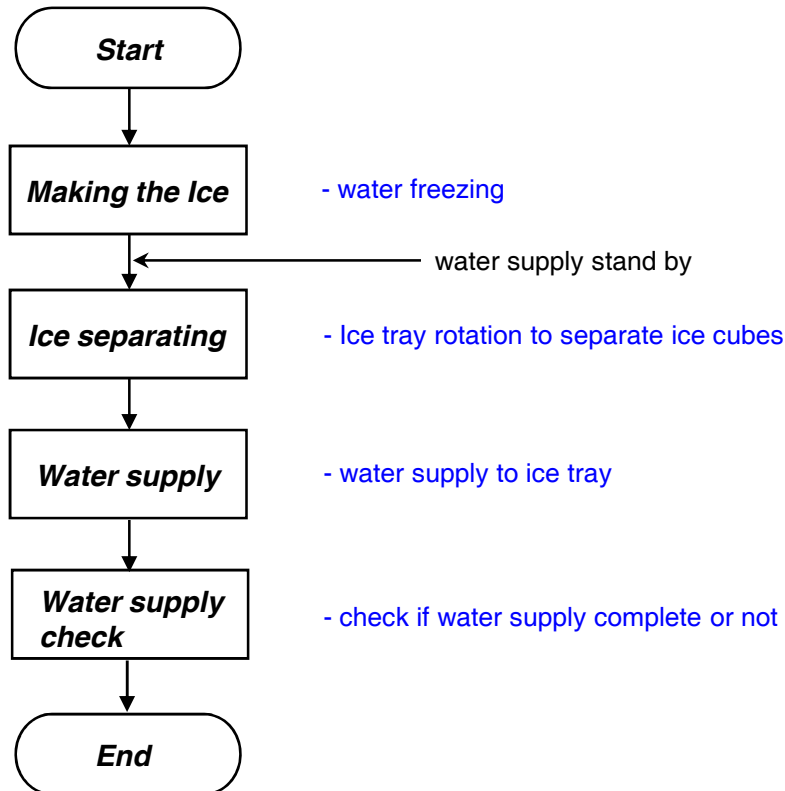
- Cause : When compressor works for over 3 hours although Defrost sensor is over -5C.
- Check point : Refrigerant leakage.

12) F3 error

- Cause : in case defrosting mode ends after 60 minutes.
- Check point : Measure the resistance between both terminals of the defrost heater.

If the resistance is infinity (disconnection) or 0 ohm (short).

**1. Ice making flow**



1) Press Test switch ( which is under the ice tray ) for more than 1 second and then test starts.

- Test mode starts from ice separating mode.
- In case test switch is abnormal, test is done only 1 time.

2) When the initial power input, ice tray turns to be horizontal.

3) Water supply hose heater control - defrost heater linkage operation

- Heater is always ON if Room temperature sensor is abnormal or room temperature is below 15 degree.
- Heater is ON for 60minutes (max limit time) if Flow sensor is abnormal.

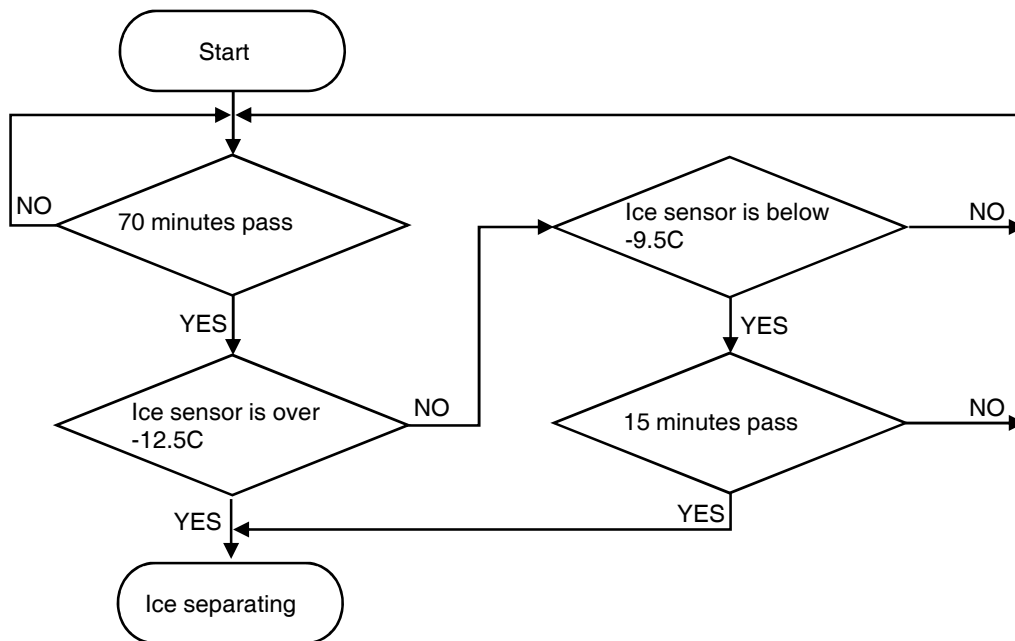
4) Water supply stand by

- Condition : When ice is full
- Operation : Proceeds to ice making mode. ( stop ice separating and water supply mode )

5) Crusher function

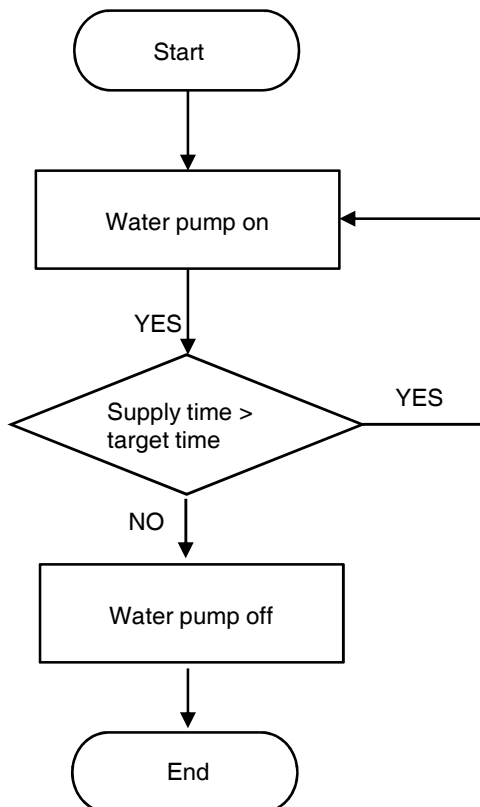
- It stops operation when freezer door is open.
- It operates if door is close.

2. Ice making mode



- 1) If Ice sensor temperature is below -12.5C after 70minutes, ice making completes.
- 2) If Ice sensor temperature keep below -9.5C for 15 minutes ice making complete, although the sensor is not below -12.5C
- 3) After 4.8hours ice making complete, when ice sensor is abnormal,

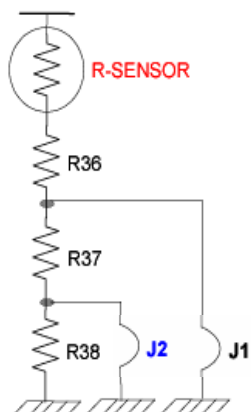
3. Water supply mode



- 1) If water supply mode starts, the water pump is ON.
- 2) Supply mode controlled by the time.  
( Adjust water quantity )
- 3) Factor value is variable when After sales action.  
; Normal Water flow time setting is 6.3 seconds.  
( Maximum time limit is 15 seconds.)

**4. Weak Cooling Trouble Shooting**

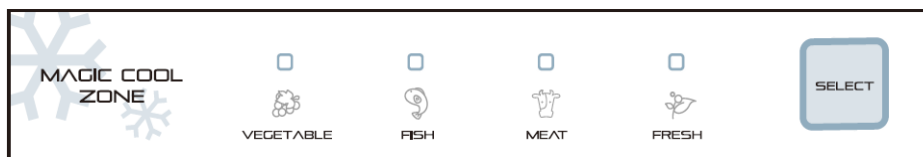
; Adjust refrigerator sensor OFF point



- Normal sensor resistance. (31.4kohm)
- Cut the J18 and increase sensor resistance. (33.4kohm)
- Cut the J18, J19 and increase resistance. (35.4kohm)

Option	Normal	Weak Cooling happens	
		1.5C down	3.0C down
<b>J1</b>	-	Cut	Cut
<b>J2</b>	-	-	Cut

**5. Magic cool zone ( \*not all models )**



Step	Vegetable mode	Fish mode	Meat mode	Fresh mode
Damper Open	8C	4.5C	3C	-
Damper Close	7C	3.5C	2C	-

- 1) Magic cool zone damper always close when refrigerator damper is open.
- 2) When refrigerator damper is close, the magic cool zone damper is controlled by each mode.
- 3) Magic cool zone damper is close when 'Fresh' mode select.

**[ How to check Magic cool zone error ]**

- 1) Push the Select button for 3 sec.
- 2) If the sensor is normal, Fish and Meat LED is ON. ( If the sensor is malfunction, all LED is ON. )
- 3) Push the 'Select' button, the damper is open. ( Fish and Fresh LED is on )
- 4) Push the 'Select' button again, the damper is close. ( Vegetable and Fresh LED is on )

**6. Pull Down Mode ( Test Mode )**

- 1) How to start
  - Push the LOCK button.
  - Push the ICE button 5 times while keep pressing the REF.SET & FRZ.SET button.
- 2) How to control : Compressor, Freezer Fan, Refrigerator Fan and Compressor Cooling Fan is ON for 30 hours.
- 3) Display : **Co** display in Error Mode
- 4) Termination : After 30 hours or power reset.

**7. System Off function**

- 1) Purpose: Stop refrigerator operating without unplugging especially on holidays.
- 2) How to start : Pressing **FRZ.SET** and **REF.SET** button at the same time for 5 seconds will make the appliance turn off.
- 3) Under the 'off' mode Freezer and refrigerator temperature displays "- -".  
Other LED lights go out and all the operation of your appliance halt.
- 4) Conversely pressing **FRZ.SET** and **REF.SET** button together for 5 seconds in order to switch back on.

**8. Display Off function**

- 1) 5 minutes after no buttons or doors are operated by customer, all the display LED except for;  
WATER, ICE or LOCK ICE which is selected by the user
- 2) Under the LED off status it returns to normal display mode when customers operate buttons or doors.

**9. Temperature indicator convert ( Celsius ↔ Fahrenheit )**

- 1) Press the Lock button to enter locked mode.
- 2) Press the Light and Water button at the same time for 10 sec to swap temperature scale.  
( Default setting is celsius )

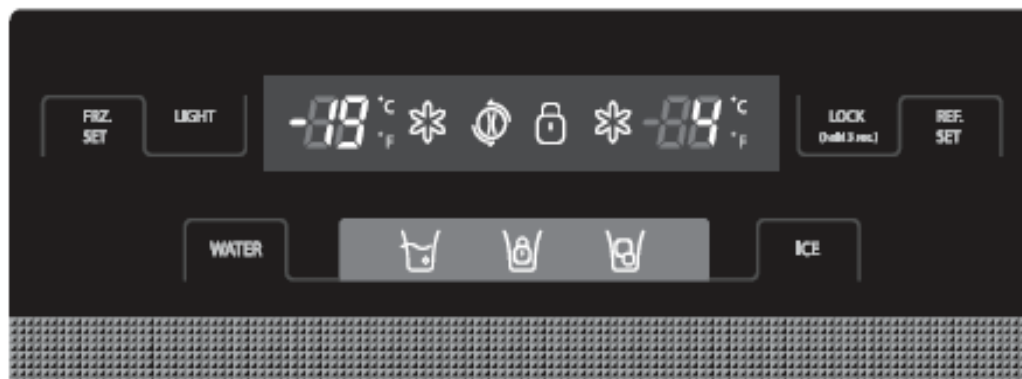
**1. Basic Model**



- All the modes active in LOCK condition ( Push the LOCK button )

Mode	How to enter	Remark
<b>A/S Forced Defrosting</b>	REF.SET button 5 times while keep pressing FRZ.SET button.	
<b>Pull Down</b>	LOCK button 10 times while keep pressing REF.SET button.	
<b>Error Display</b>	LOCK button 5 times while keep pressing FRZ.SET button.	

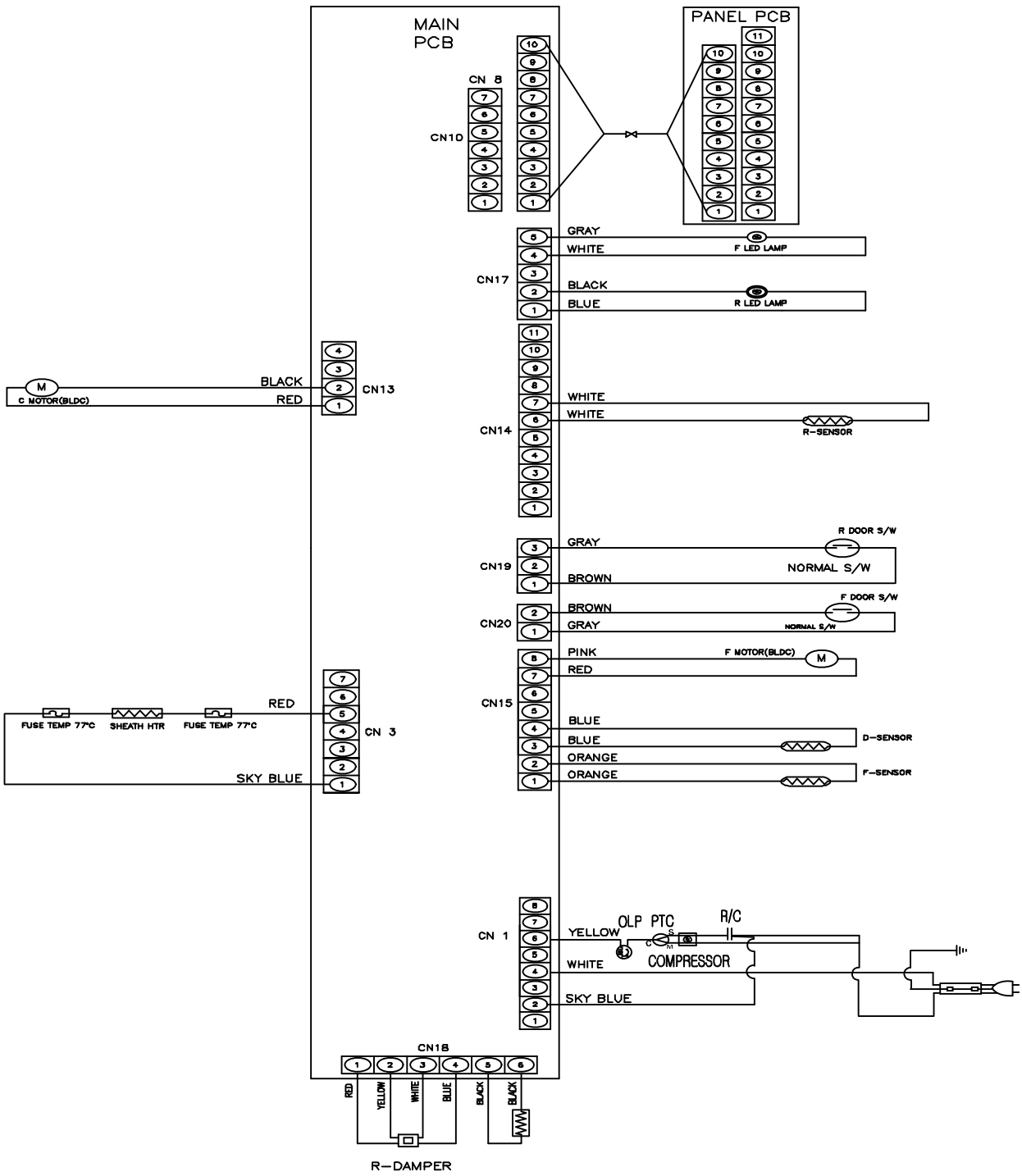
**2. Dispenser Model**



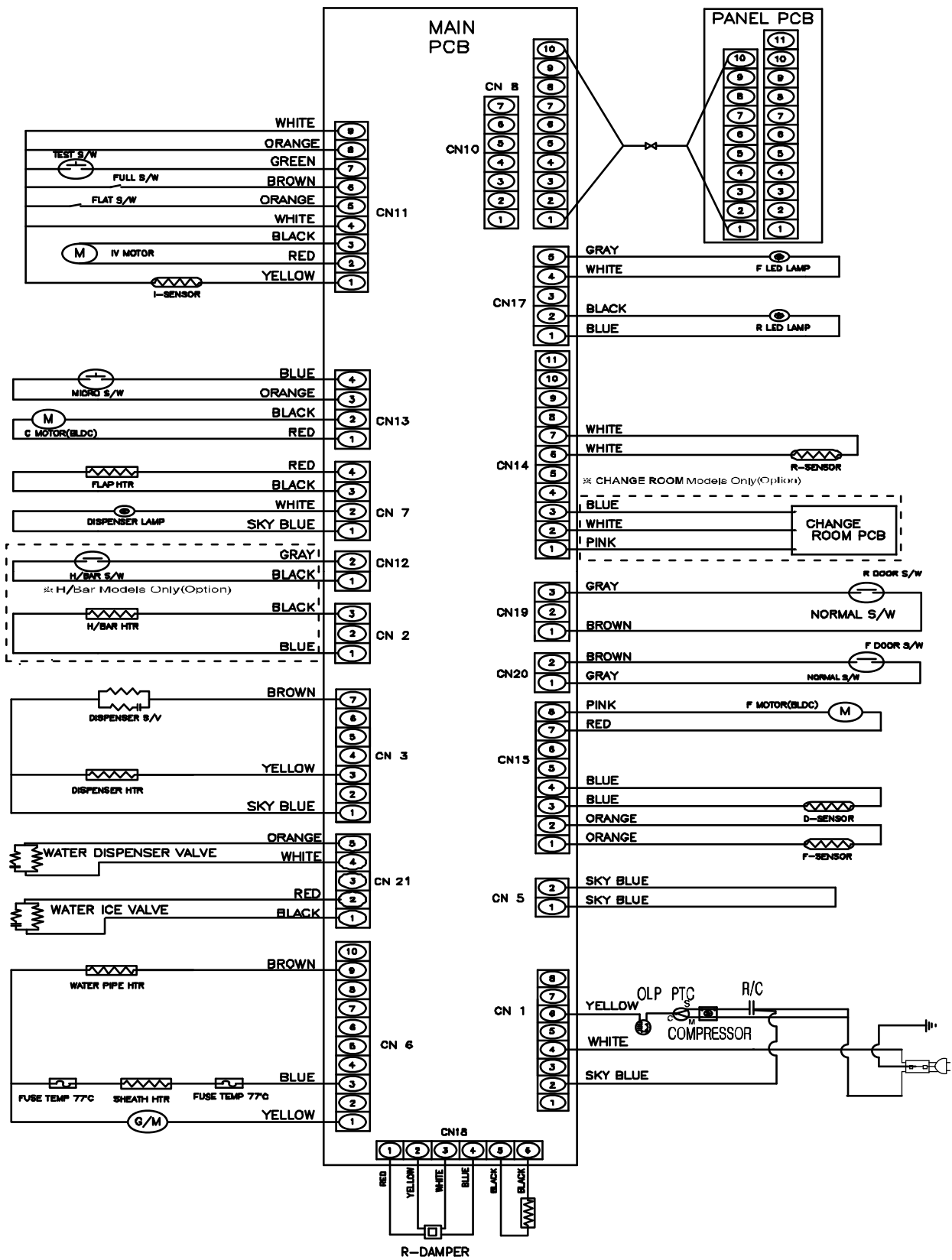
- All the modes active in LOCK ( Push the LOCK button )

Mode	How to enter	Remark
<b>A/S Forced Defrosting</b>	REF.SET button 5 times while keep pressing FRZ.SET button.	
<b>Pull Down</b>	ICE button 5 times while keep pressing REF.SET & FRZ.SET button.	
<b>Error Display</b>	WATER button 5 times while keep pressing FRZ.SET button.	

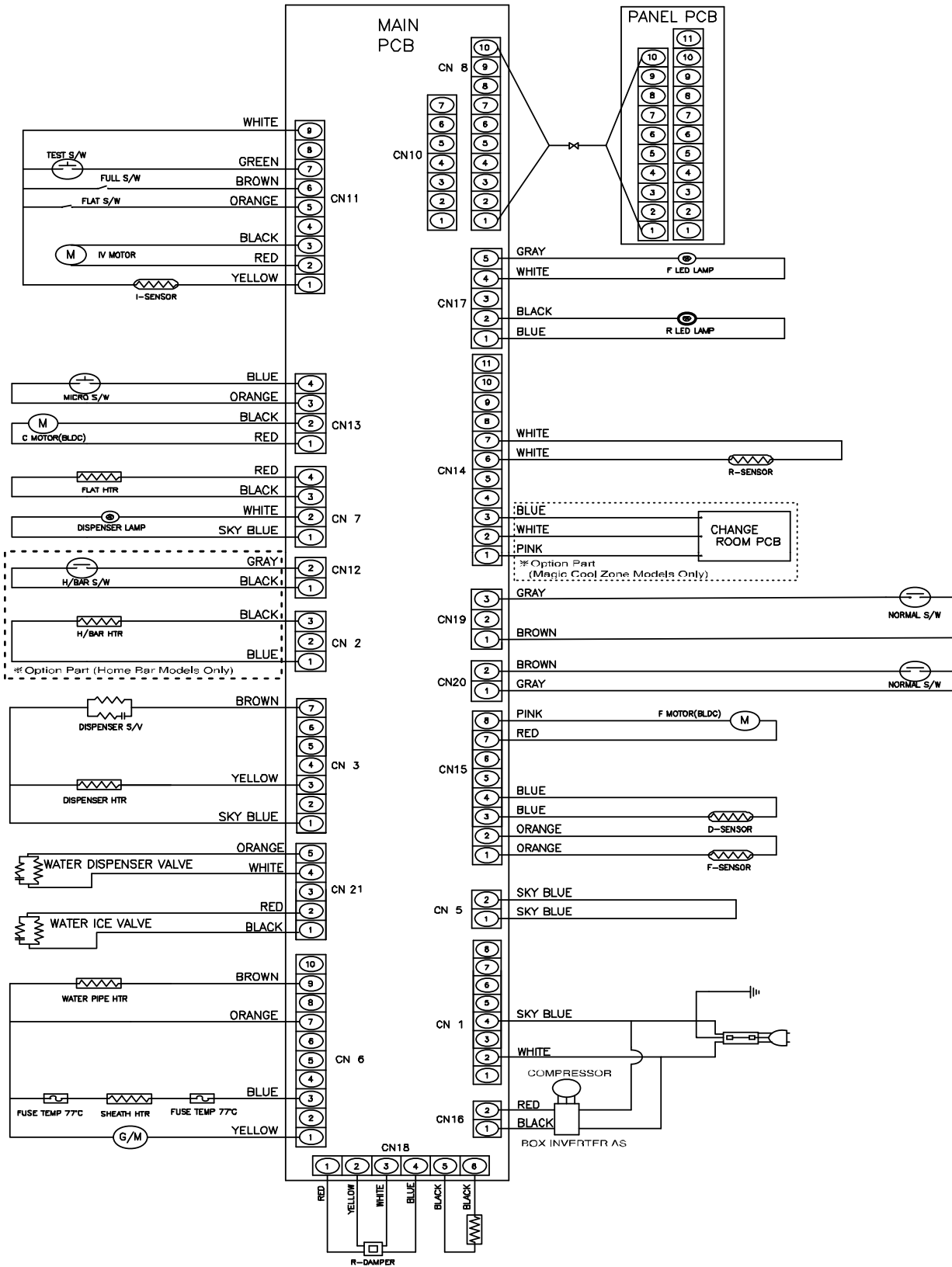
# WIRING DIAGRAM ( Basic Model )







# WIRING DIAGRAM ( Full Models\_Inverter Comp. )



**1. Inner lamp changing method**

Disassembling Procedure

**Freezer LED changing**



Separate back side of a LED cover using (-) driver.



Separate LED cover and loosen 2 fixing screws for LED plate.



Disconnect harness of LED plate and change LED.

**Refrigerator LED changing**



Same as disassemble of a freezer.



Same as disassemble of a freezer.



Same as disassemble of a freezer.

**Dispenser Type Freezer LED changing**

◆ Separate Geared-Motor Box. (Refer 'Geared-Motor separation' part)



Separate back side of a LED cover located at bottom of Geared-Motor Box using (-) driver.



Separate cover and loosen 2 fixing screws for LED plate.



Disconnect harness from LED plate and change LED.

**Ice maker changing**



Loosen 2 fixing screws at roof of a freezer and pull a ice maker toward forward direction to separate it.



Disconnect harness connected to a ice maker and separate ice maker from a freezer.

**Geared-Motor changing**

◆ Separate ice maker.



Disconnect 2 kinds of harness which is connected with a Geared-Motor box at upper part of a freezer.



Loosen 4 fixing screws for a Geared-Motor box.

### 3.Freezer cooler area changing method

#### Disassembling Procedure

- ◆ Pull out food stuffs and rack inside of a freezer

#### Separate cooler fan cover – Dispenser Model

- ◆ Separate ice maker & Geared-Motor box.



Separate heater housing for water supply pipes.



Loosen fixing screw for a fan cover of a cooler.



Separate cover & water supply port (silicon rubber) by loosening screw at cover of a water supply pipe at back side of a refrigerator.



Grip cooling air discharge port at fan cover of a cooler by hand and separate it from lock.



Push back a water supply pipe located at back side of a freezer and go to back side of a refrigerator and pull out a water supply pipe.



Lift up right side of a cooler fan cover to forward direction and tilt it to disconnect and pull out fan harness located at left side of a cooler fan cover.



Remove screw cap of a fan cover located at upper rear side of a freezer.



Separate fan cover of a cooler.

#### 4. Cooler fan / Fan separation

##### Disassembling Procedure

### Cooler fan / Fan motor separation

#### ◆ Separate cooler fan cover.



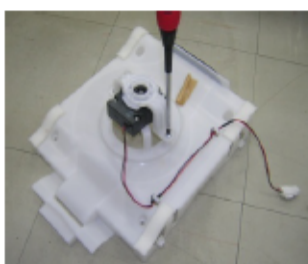
Loosen 4 fixing screws for a fixture f motor located at rear side of a cooler fan cover.

Separate 4 hooks to separate a fixture f motor.



Pull out fan assembled at inner side of a fixture fan motor to vertical direction. [ Fan separation]

Fan fixing rings are fixed with lock tight. (Kinds of bond)



Loosen 2 fixing screws for fixture f motor B from back side of a fixture fan motor.

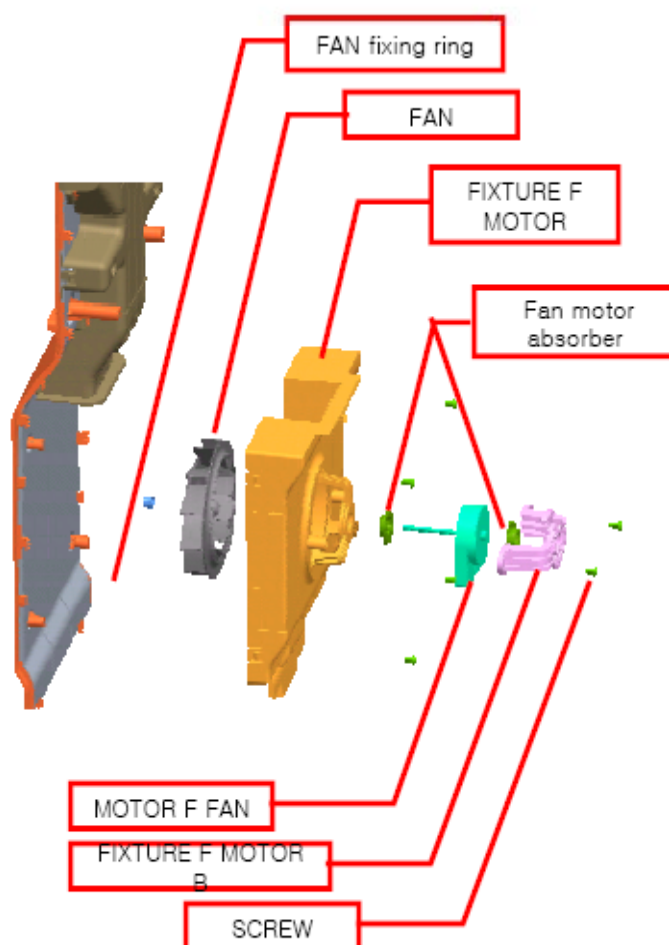


Motor can be separated by separation of a fixture f motor B.

Caution when disassemble/assemble fan & fan motor.

- Assemble motor so that there is no tilt or loosening. ( To prohibit noise generating problem)
- When fixing a fan, fix it using fan fixing rings to protect moving or separation and apply lock tight. (Kinds of bond)
- After fixing a fan, rotates fan by hand to check interference with surrounding parts. When there is interference with surrounding parts, fix fan or motor again.

Disassemble drawing for fan & fan motor





## 5. Cooler front cover separation

### Disassembling Procedure



Remove a screw cap at center of a return cover located at bottom of a cooler front cover.



Loosen a screw at center of a return cover.



Separate hooks using (-) driver by twisting it which is assembled at return cover and front cover.



Pull upper part of a return cover and press it to downwards.

Separate a return cover through bottom of a freezer.



Grip upper part of a duct cover which is assembled at center of a cooler front cover and pull it out to forward direction to separate.



Loosen a fixing screw at cooler front cover.



Grip upper part of a cooler front cover by hand and pull it forward direction to separate it.



Figure of a freezer room after cooler front cover is removed.

Evaporator in detail

cooler(EVA)



cooler housing connection



D-sensor housing

Defrost heater +temp. fuse housing



D-sensor

Temp. fuse



EVA upper area

Defrost heater



EVA bottom area



## 6. Refrigerator Damper changing method

### Disassembling Procedure

- ◆ Pull out food stuffs and rack from refrigerator .

#### Damper cover disassemble



Open window of a damper cover and bend it lightly at center part to separate window.

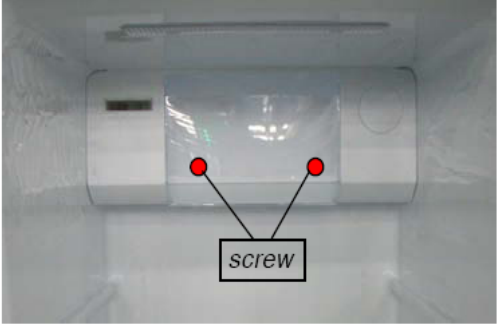
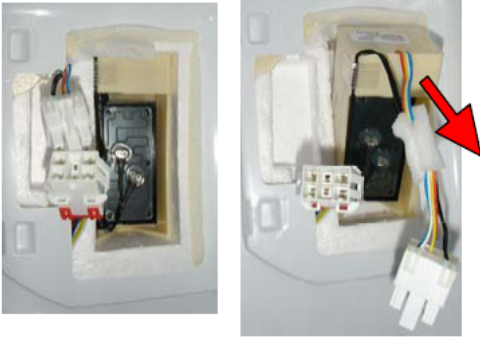
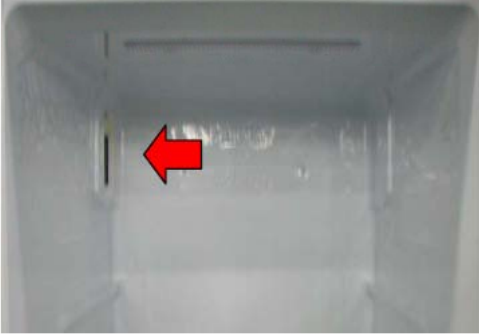

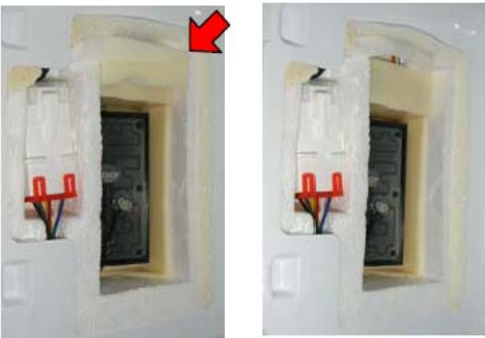



Loosen 2 screws inside of a damper cover.



Grip lower side of a damper cover and pull it forward to separate it.

7. Refrigerator Damper changing method

No	Procedure	No	Procedure
1	 <p style="text-align: center;">Remove the R Damper As. ( Unscrew 2 point with + driver. )</p>	4	 <p style="text-align: center;">Disconnect and pull out. ( Be careful not to damage the styrofoam. )</p>
2	 <p style="text-align: center;">You can see the electric damper on the left.</p>	5	 <p style="text-align: center;">Exchange the new damper.</p>
3	 <p style="text-align: center;">Peel off tape and sealing substance.</p>	6	 <p style="text-align: center;">After exchange sealing tightly for better performance.</p>

8. Refrigerator switching room changing method

Switching room disassemble



Loosen right, left side screws of a switching room.



Lift up a changing room lightly and pull it forward a little bit and separates a housing and then separate a changing room.

Switching room damper disassemble

◆ Disassemble switching room



Loosen a screw of a damper cover assembled at left side of a refrigerator.



Remove a damper cover.



Disconnect harness connected with a damper and pull out a damper.

► Disassemble change room

1)



Lift up a hook at back side of a changing room a little bit using (1) driver and pull out a changing room cover to separate it from a changing room.

3)



Separate PCB box from changing room cover and disconnect harness between main PCB and front PCB.

2)



Loosen screws at bottom of a changing room cover.

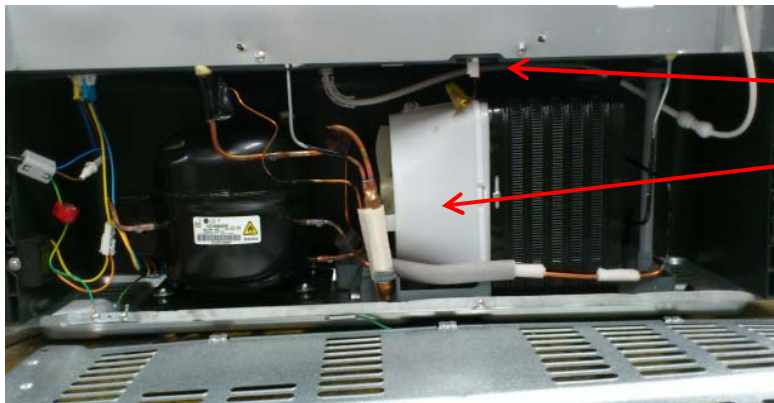
4)



Separate PCB by loosening fixing screw of a Main PCB & Front PCB.

9. C-Fan Motor changing method

Disassembling Procedure



C-Fan motor housing

Bell mouth As



Separate C-fan motor housing at upper right part of a machine room.



Push and pull forward lock of a bell mouth and separate bell mouth ass'y. (Be careful blade of a fan not to be deformed during disassemble)



Loosen screws at upper, lower part of a bell mouth.



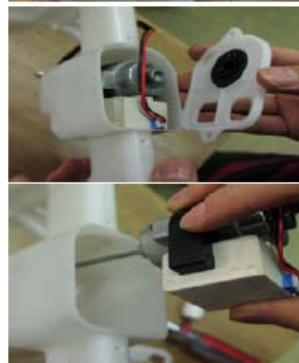
Separate a blade of a fan from a C-Fan motor shaft.



Loosen screws of a motor cover and separate cover and pull out C-fan motor.



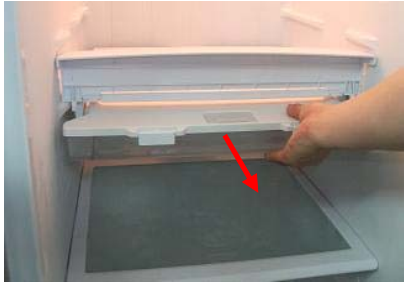


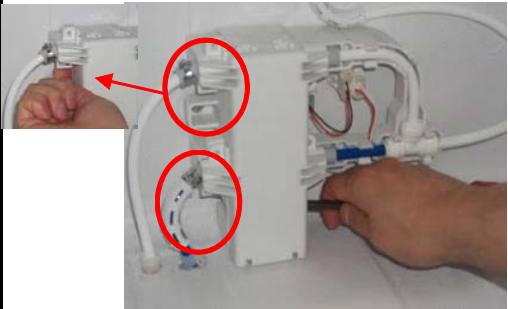

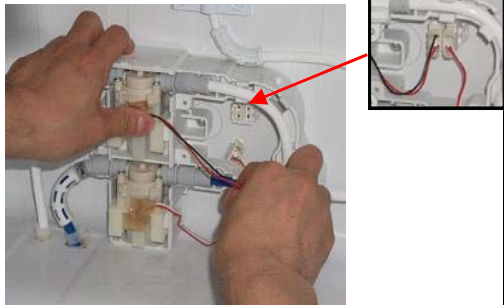

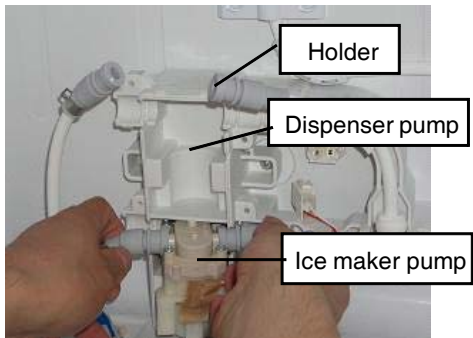
Make a space to pull out bell mouth by pushing dryer lightly which is located in front of a bell mouth to a compressor side.





10. Pump (Dispenser / Ice Maker)

1) Disassembling Procedure

No	Procedure	No	Procedure
1	 <p>Pull out the water tank</p>	5	 <p>Unscrew 2 points with (+) driver</p>
2	 <p>After Turning on water icon lamp , Press button to drain water in the tube.</p>	6	 <p>Pull both locker and Separate the cover on the left with thin driver.</p>
3	 <p>Pull out the vegetable case and shelf</p>	7	 <p>Disconnect the pump wire housing(2Points)</p>
4	 <p>First, Remove the cover on the right. (No need driver)</p>	8	 <p>Separate pump from holder made by silicon</p>

10. Dispenser area flap lever / dispenser lever/Sol - Valve changing

◆ Disassemble front PCB.



Pull out harness connected to Solenoid Valve. Be careful harness does not be damaged.



Open up fixing hook and pull out micro switch which is assembled at rear side of a dispenser guide.



Separate a housing of a dispenser flap heater.



Open up fixing hook and pull out micro switch which is assembled at rear side of a dispenser guide.



Loosen 4 screws for fixing a dispenser guide.



Grip front side of a dispenser guide and separate by pulling it forward.

Dispenser flap lever changing

◆ Disassemble dispenser guide.



Grip solenoid valve of a flap lever which is assembled at dispenser guide by hand and pull it upper side.



Separate a flap lever completely by pulling it along shaft direction where flap lever spring is assembled.

▶ ▶ ▶ Flap heater changing ▶ ▶ ▶



Separate a silicon rubber at flap lever.



Flap heater can be separated when pull out cushion seal material inside of a flap lever.

Dispenser lever changing

◆ Disassemble dispenser guide.



Separate a dispenser lever shaft by lifting one side of a dispenser lever up side along sloped shape home.



Separate a dispenser lever by pulling it along shaft direction where dispenser lever spring is assembled.

Solenoid valve changing

◆ Disassemble dispenser guide.

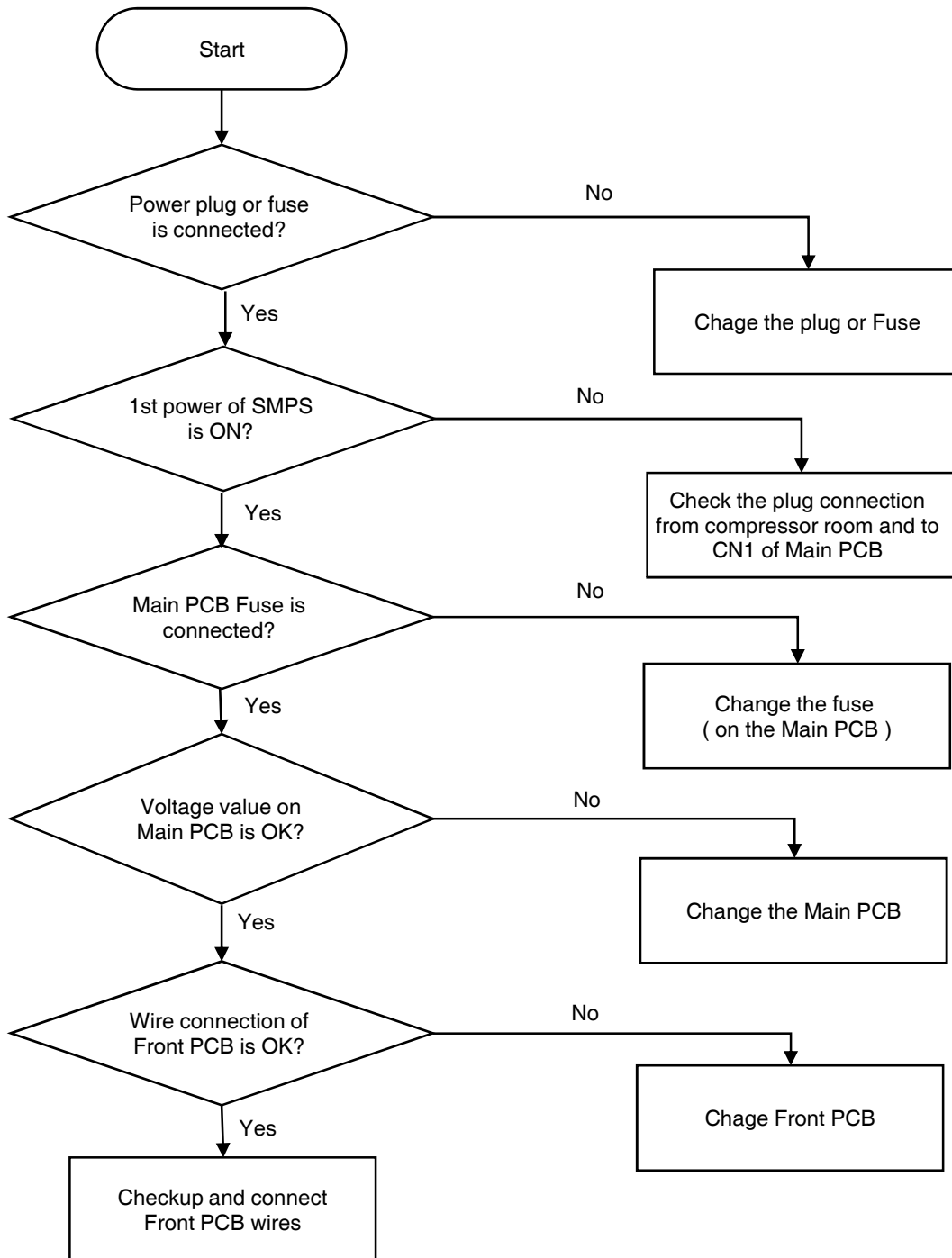


Loosen solenoid valve fixing screws.



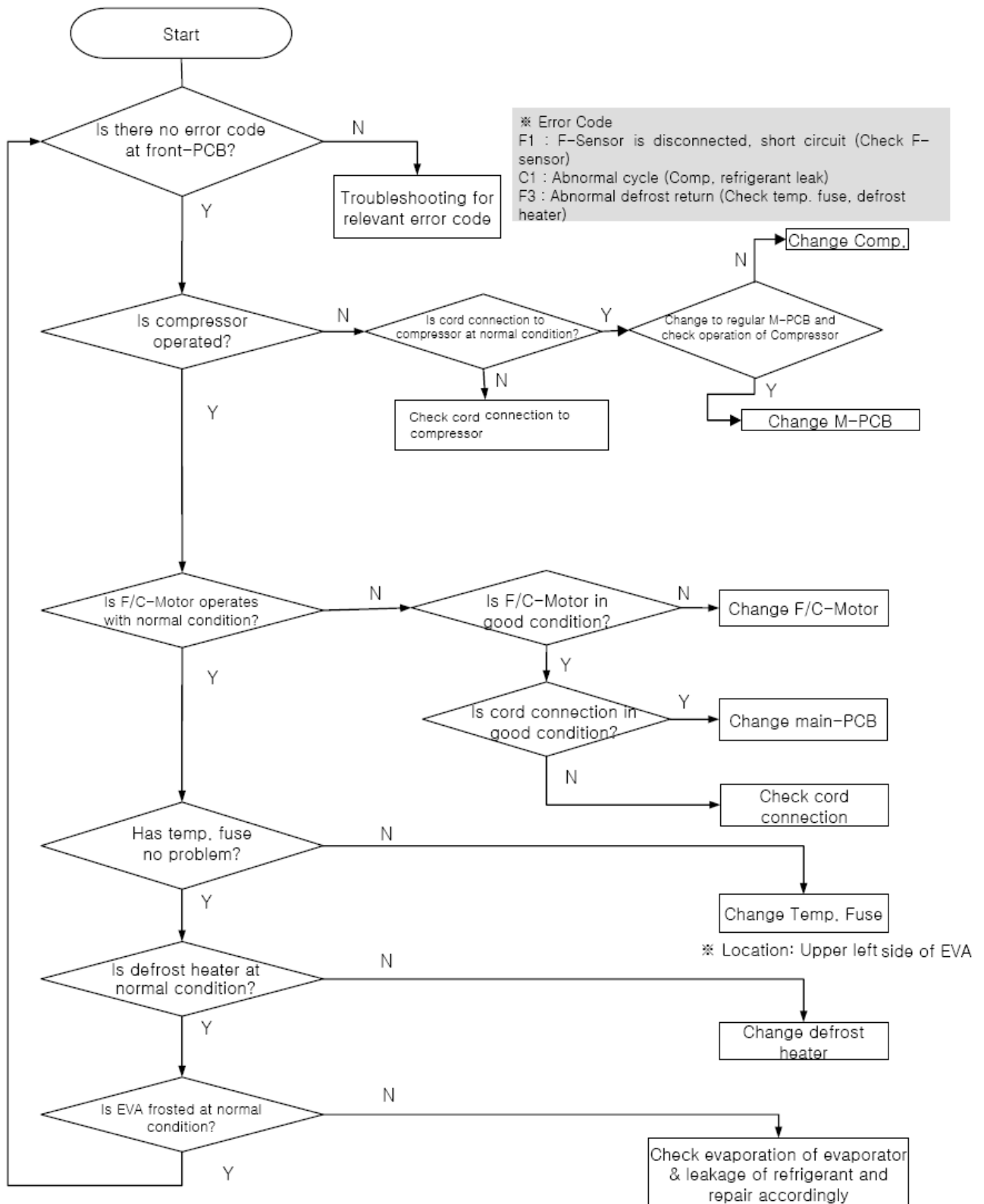
Separate solenoid valve by pulling it down wards and pull out solenoid pin by rotating flap lever.

1. Faulty Start ( Lights OFF, Front PCB Power Dead )

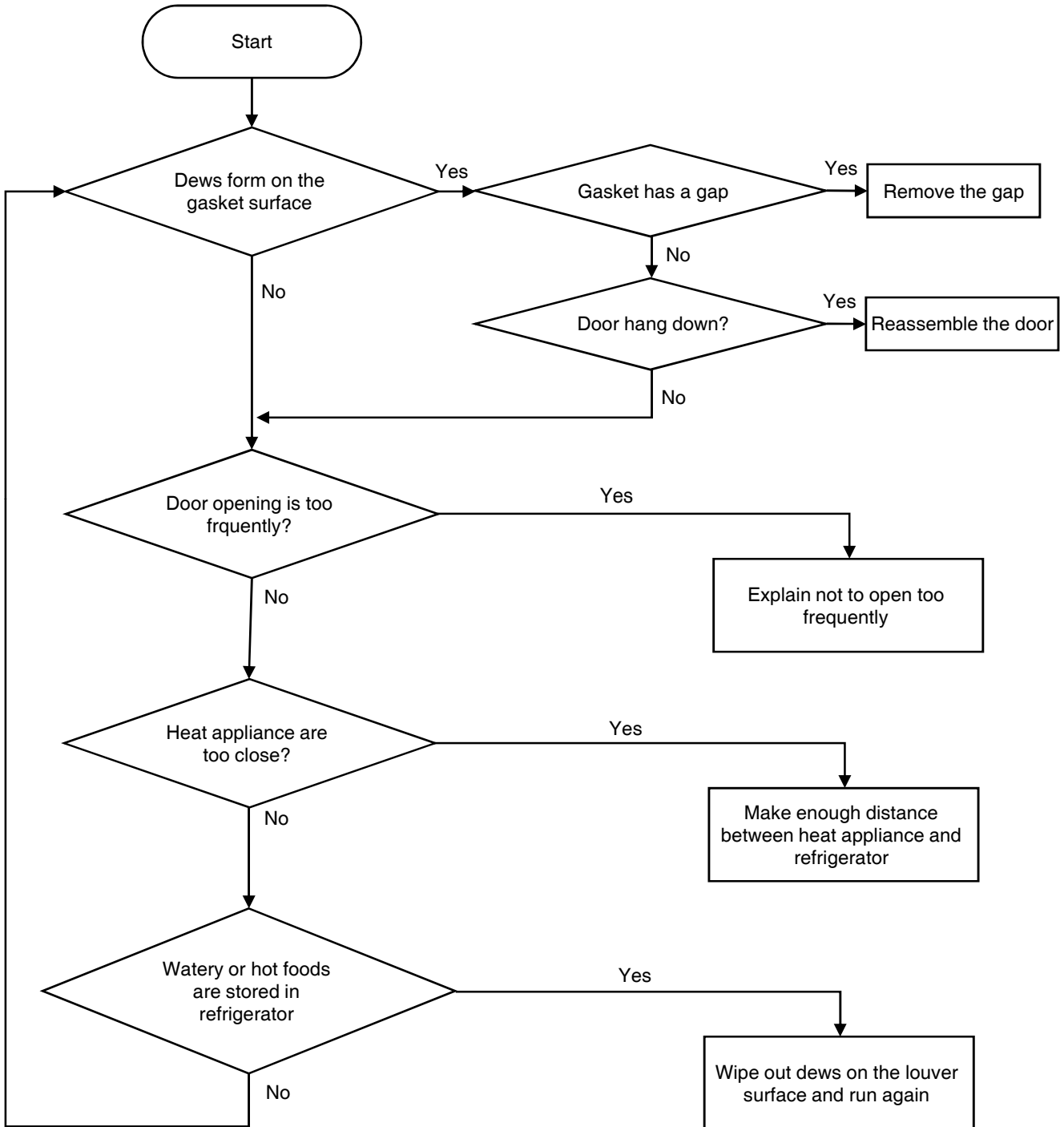




2. Freezing or cooling failure ( Weak cooling )

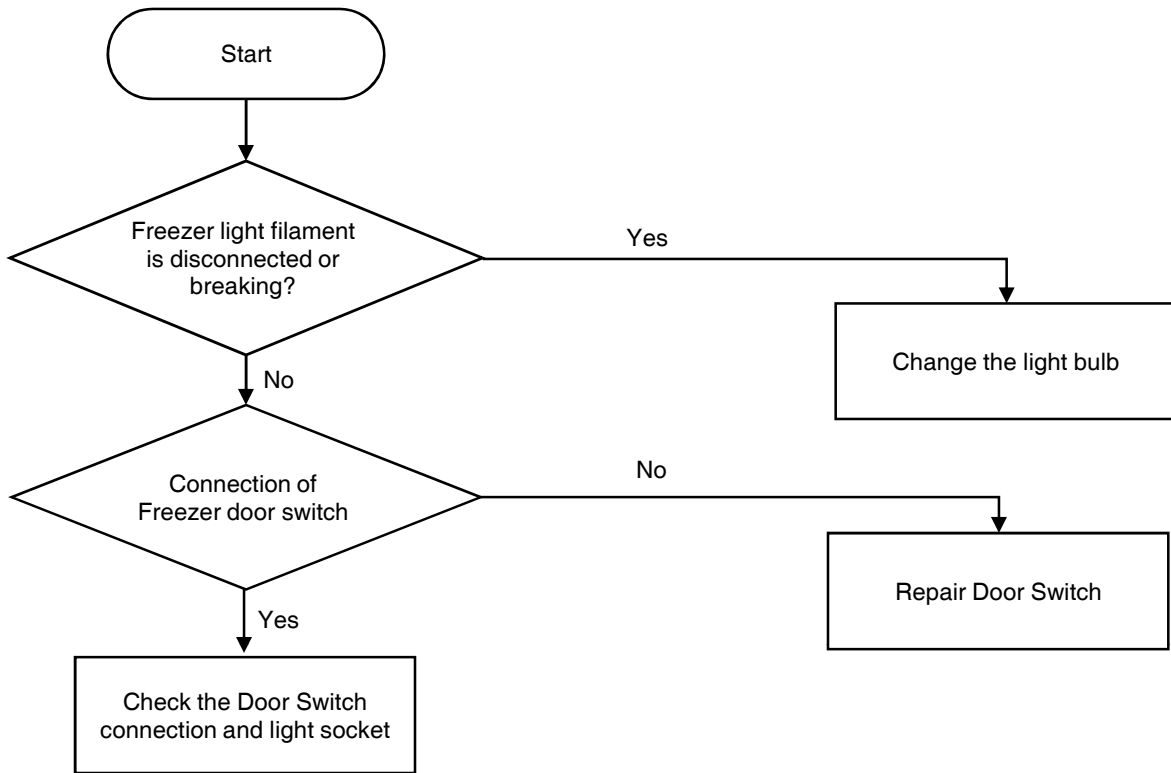


3. Ice formation on Freezer Louver

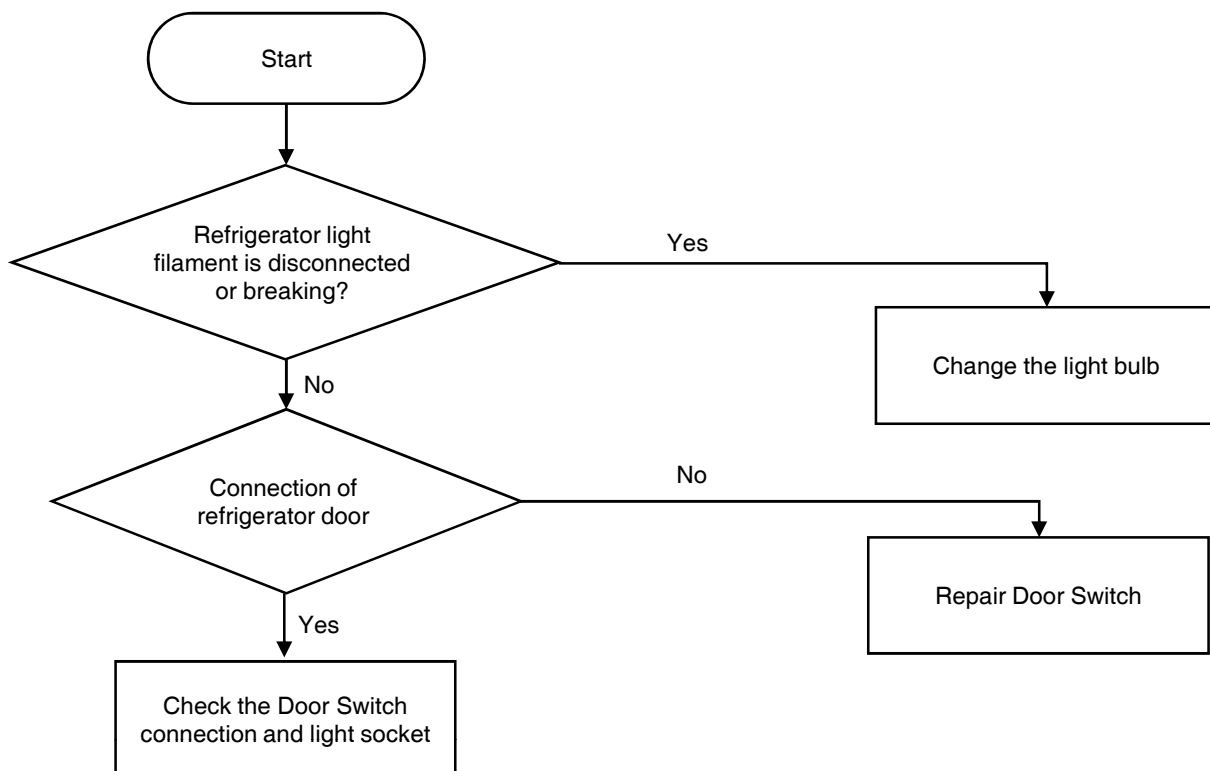


4. Disconnection / Breaking of Interior Lights Wire

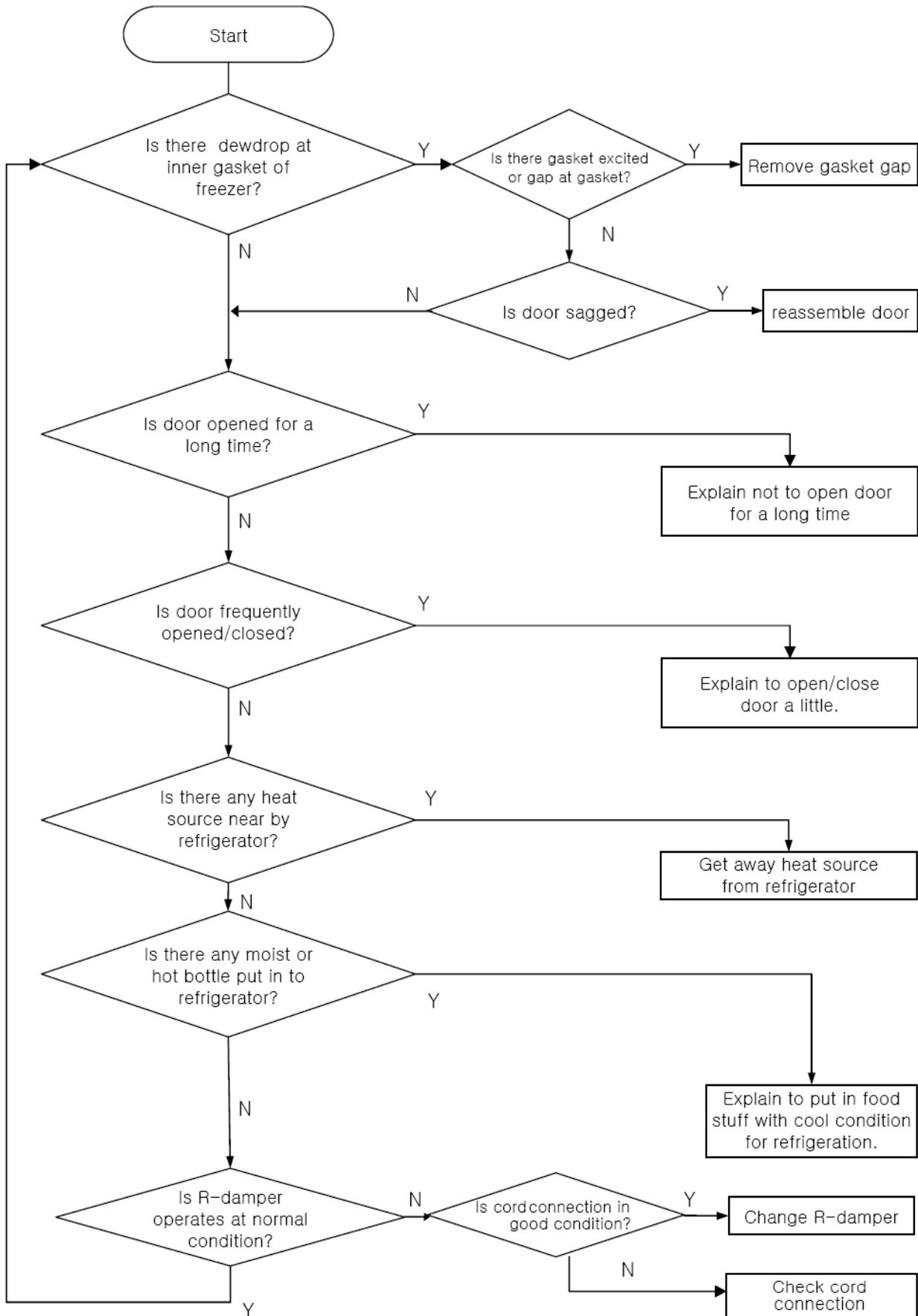
4-1. Freezer Door



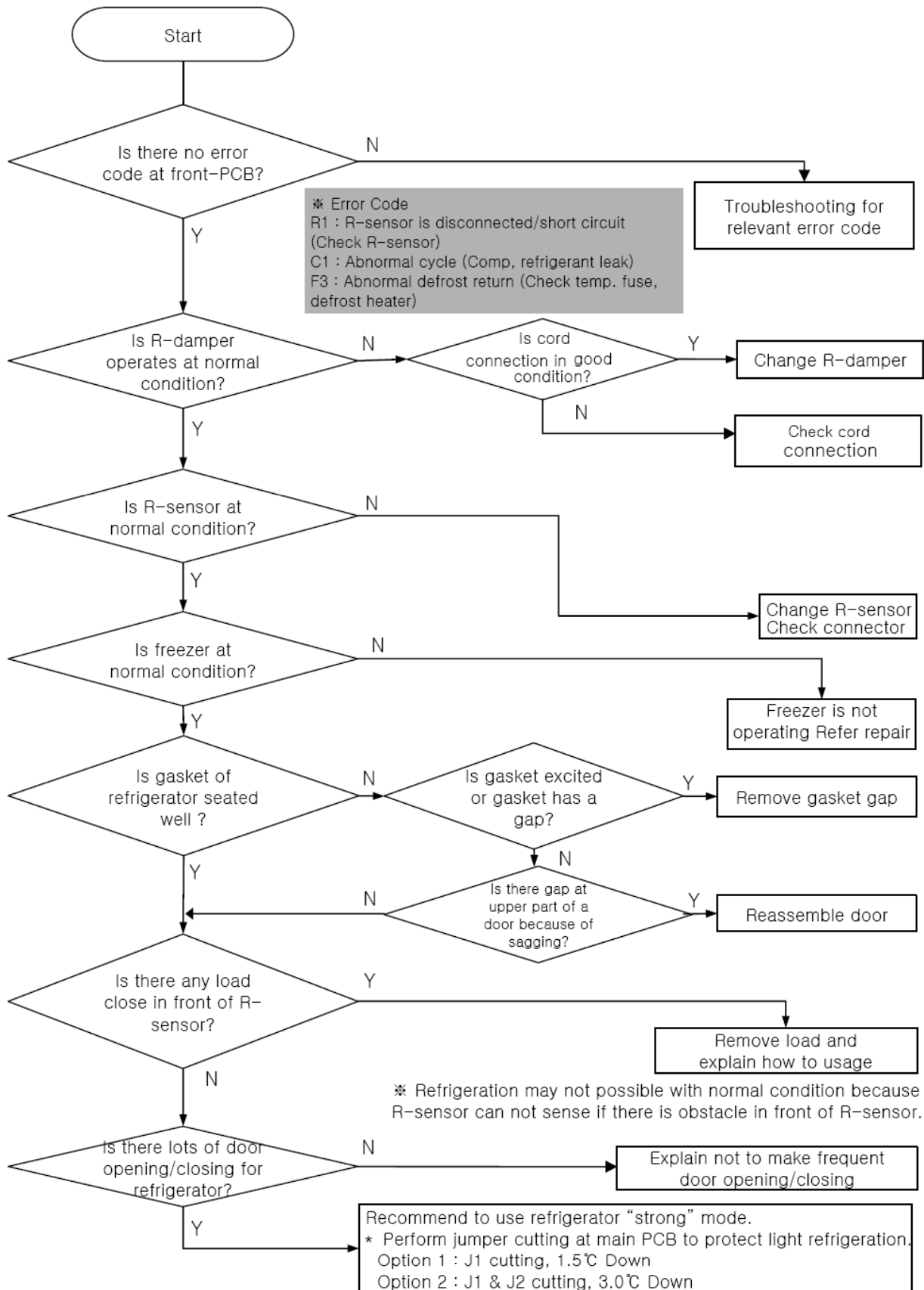
4-2. Refrigerator Door



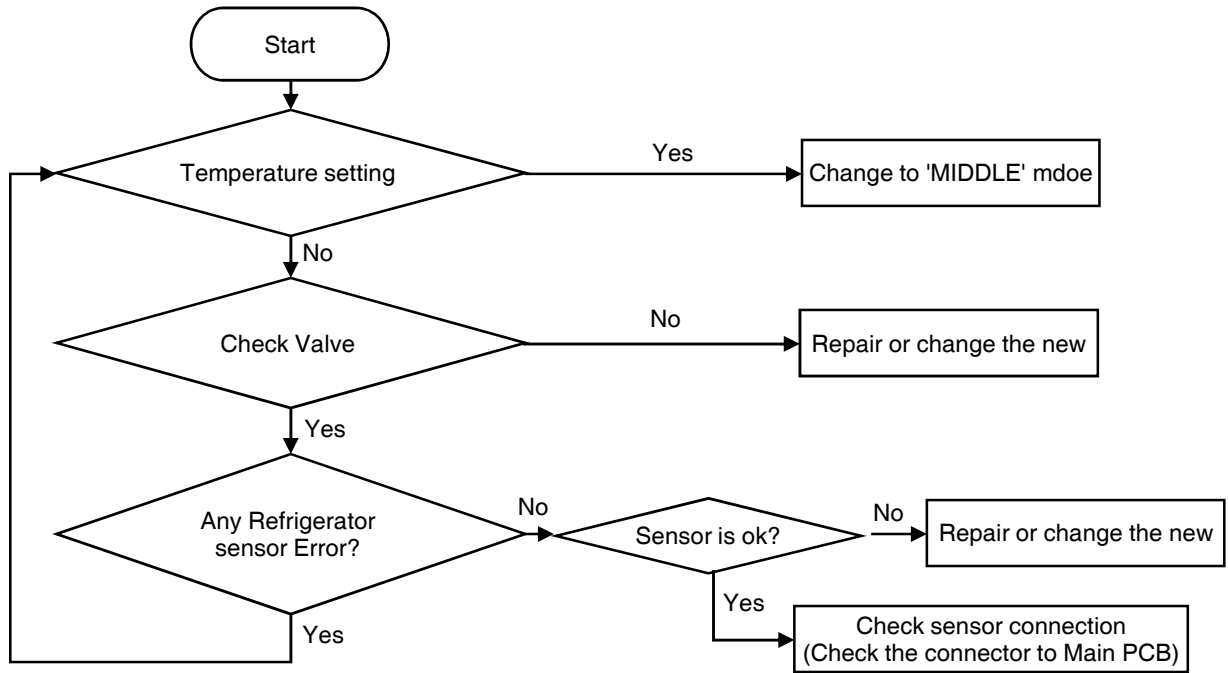
6. Dews on Refrigerator Compartment



5. Refrigeration failure ( Foods does not get cool or cold soon )



7. Cold of Vegetable Case

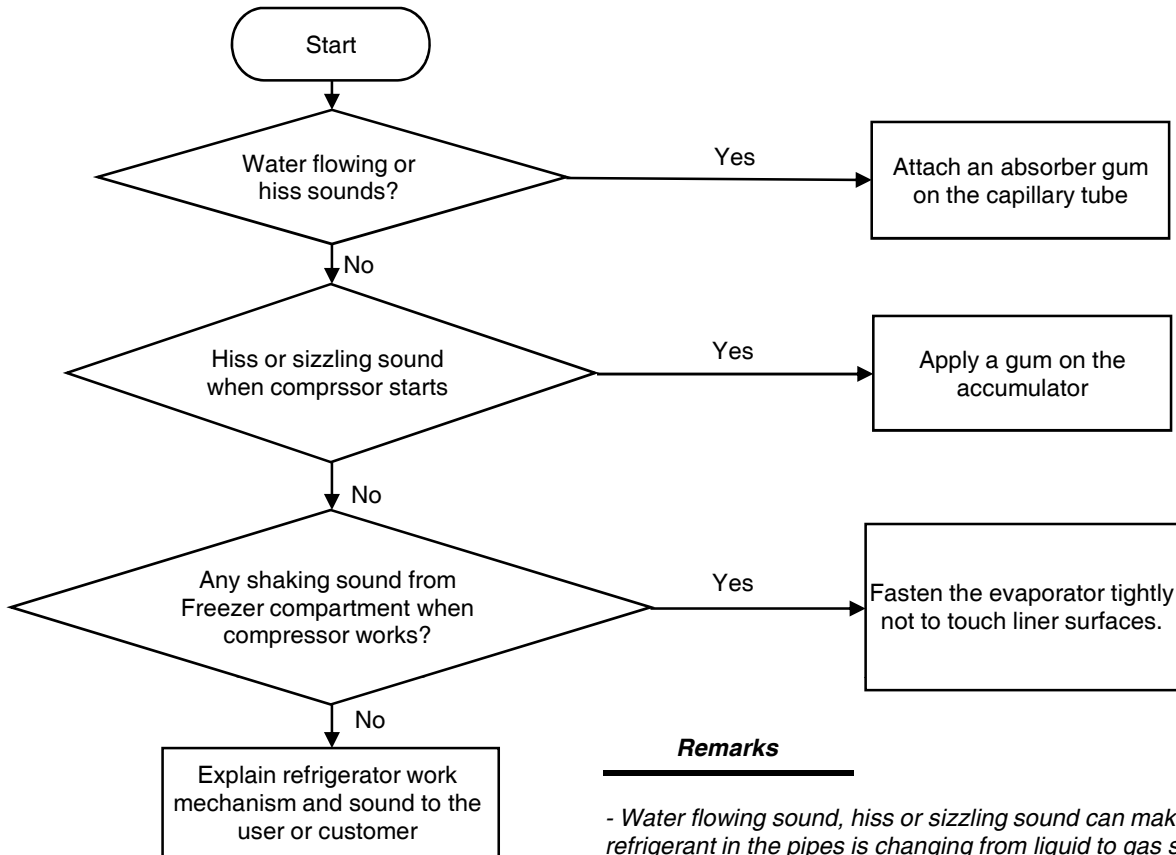


**Remark**

- Compressor sound is somewhat normal because it works like a heart to circulate the refrigerant in the pipes.
- Rattling or metallic touch sound of motor, piston of compressor can be heard when it starts or stops.

8. Operation Noise of Refrigerator

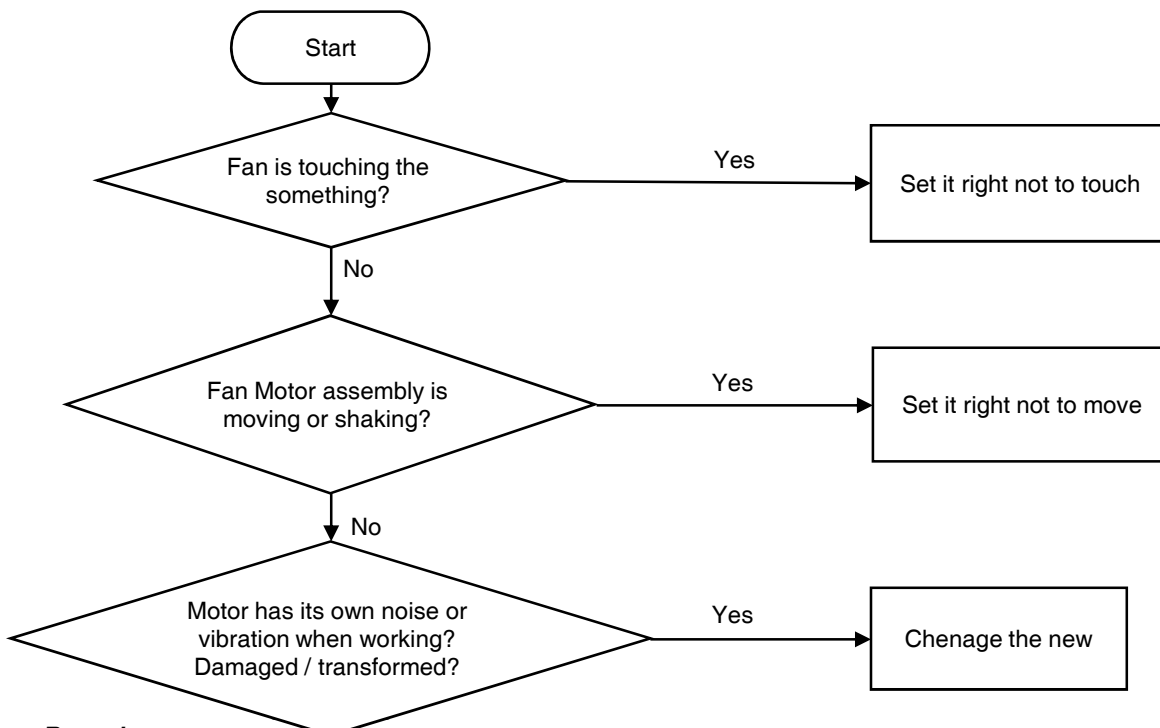
8-1. Refrigerant Flow Sound



**Remarks**

- Water flowing sound, hiss or sizzling sound can make while refrigerant in the pipes is changing from liquid to gas state when compressor starts or stops.
- It is normal sound.

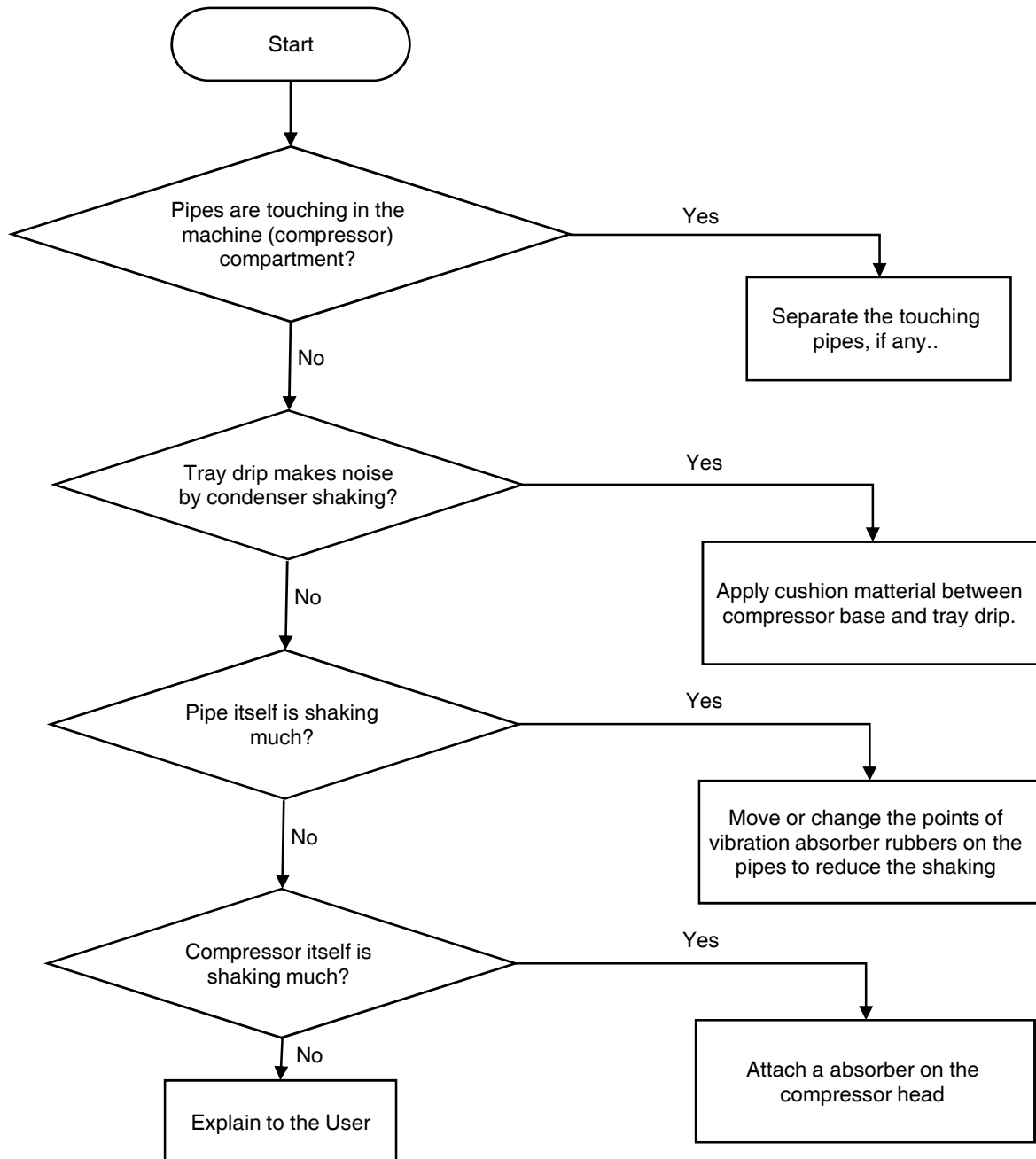
8-2. Fan Noise



**Remarks**

- The fan is sending out cold air to circulate each corner of the compartment.
- When the air is touching the surface of louver or liner wall, such sound can make.

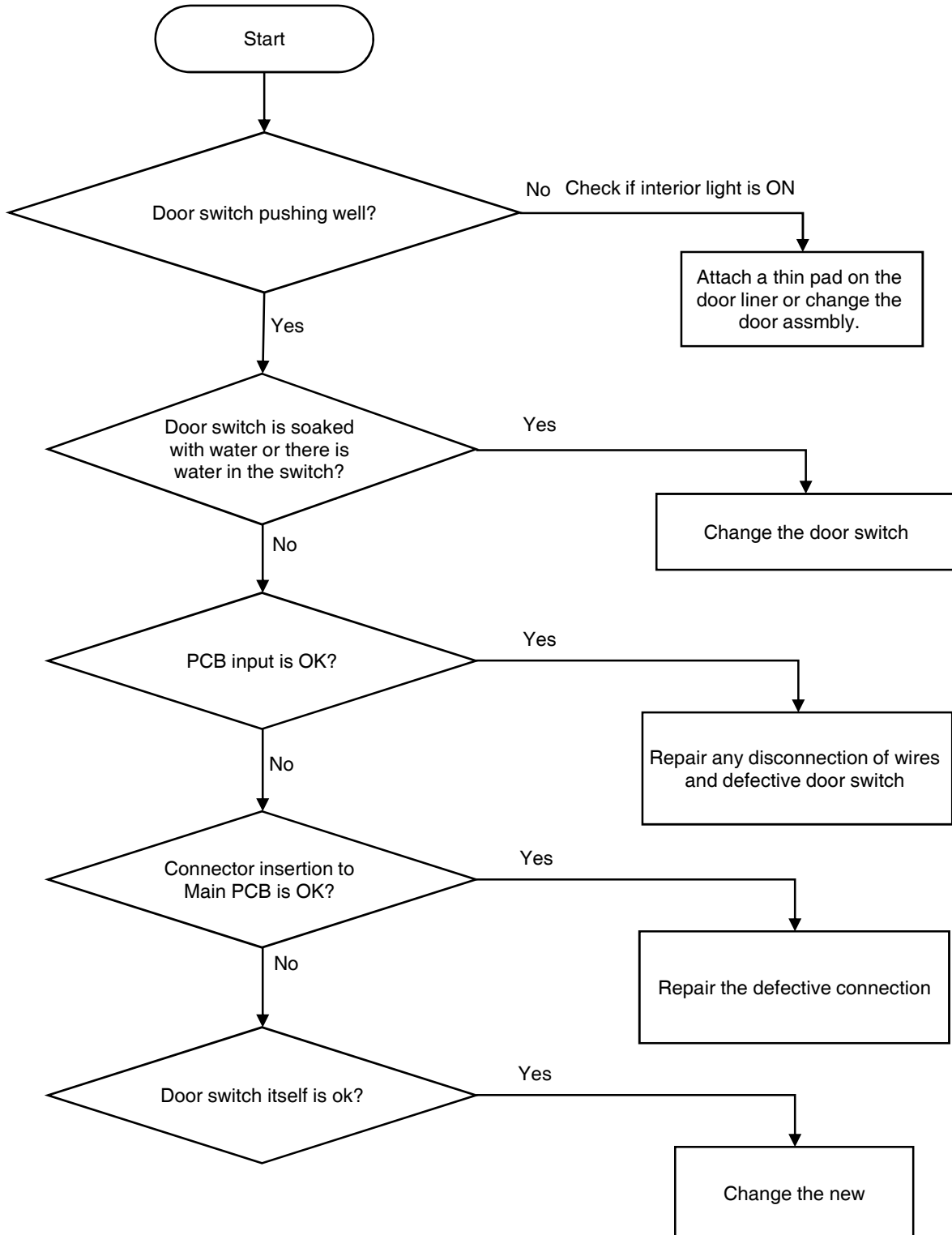
## 8-3. Pipe Noise

**Remarks**

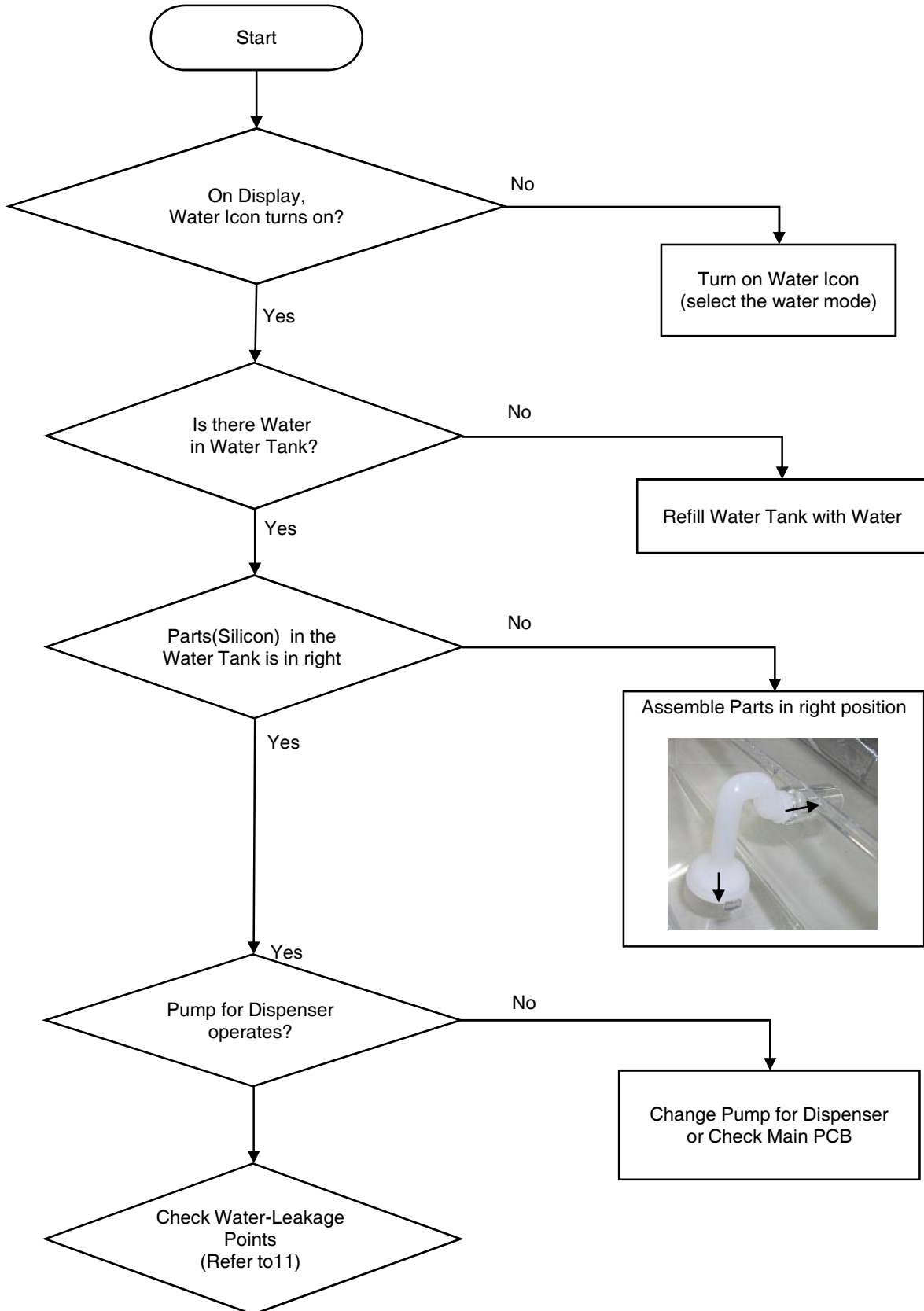
- Refrigerant is erupting rapidly from the compressor to circulate pipes, so pipe shaking noise can make to some degree.
- In case compressor vibration is sent to a pipe directly, apply vibration absorber rubbers to welding pionts of pipepe and comprrsor or to a much bent piont on the pipe.



9. Door opening alarm continues after closing



10. Dispenser (Water Supply ) Operation



**11. Dispenser (Water Supply ) Water-Leakage Points**

- Freshfood Compartment

1. Water tank Guide



Front Image

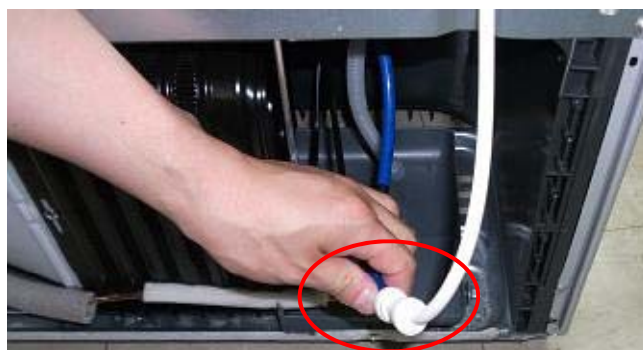


Back Image

2. Pump



- Compressor Compartment



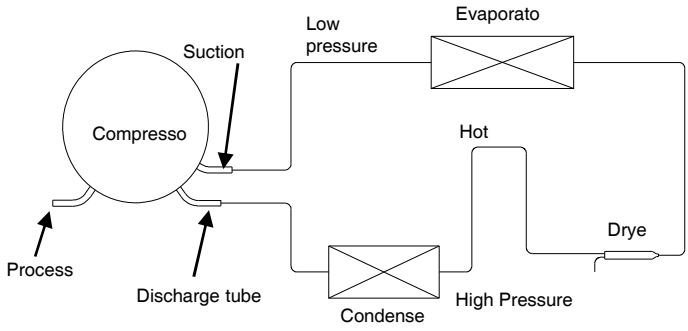
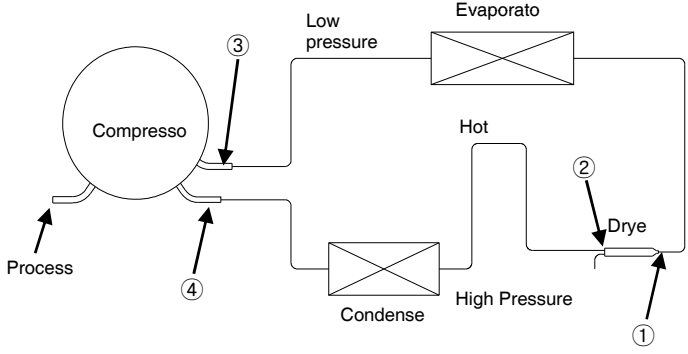
**1. Summary of Heavy Repair**

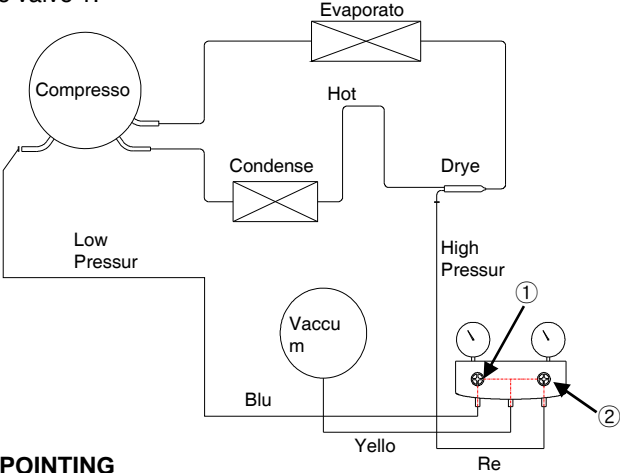
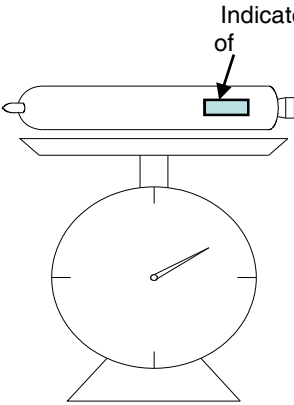
Process	Contents	Tools
Remove refrigerant Residuals	Cut charging pipe ends (Comp. & Dryer) and discharge refrigerant from drier and compressor.	Nipper, side cutters
Parts replacement and welding	Confirm refrigerant (R-134a or R-600a) and oil for compressor and drier. Confirm N2 sealing and packing conditions before use. Use good one for welding and assembly. Weld under nitrogen gas atmosphere. Repair in a clean and dry place.	Pipe Cutter, Gas welder, N2 gas
Vacuum	Evacuate for more than forty minutes after connecting manifold gauge hose and vacuum pump to high (drier) and low (compressor) pressure sides.	Vacuum pump , Manifold gauge.
Refrigerant charging and charging inlet welding	Weigh and control the bombe in a vacuum conditions with electronic scales and charge through compressor inlet (Process tube). Charge while refrigerator operates). Weld carefully after inlet pinching.	Bombe (mass cylinder), refrigerant manifold gauge, electronic scales, punching off flier, gas welding machine
Check refrigerant leak and cooling capacity	Check leak at weld joints. Note :Do not use soapy water for check. Check cooling capacity - Check condenser manually to see if warm. - Check hot pipe manually to see if warm. - Check frost formation on the whole surface of the evaporator.	Electronic Leak Detector, Driver.
Compressor compartment and tools arrangement	Remove flux from the silver weld joints with soft brusher wet rag. (Flux may be the cause of corrosion and leaks.) Clean tools and store them in a clean tool box or in their place.	Copper brush, Rag, Tool box
Transportation and installation	Installation should be conducted in accordance with the standard installation procedure. (Leave space of more than 5 cm from the wall for compressor compartment cooling fan mounted model.)	

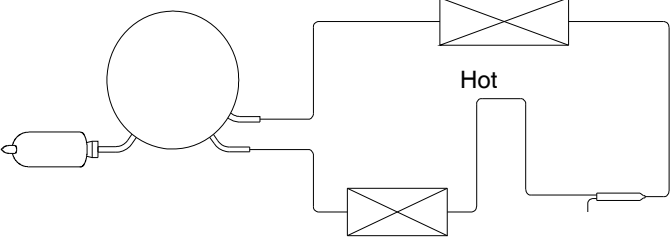
2. Precautions During Heavy Repair

Items	Precautions
Use of tools.	- Use special parts and tools for R-134a or R-600a.
Removal of retained refrigerant.	<p>1) Remove retained refrigerant more than 5 minutes after turning off a refrigerator. (If not, oil will leak inside.)                  2) Remove retained refrigerant by cutting first high pressure side (drier part) with a nipper and then cut low pressure side. (If the order is not observed, oil leak will happen.)</p> <p>The diagram illustrates a refrigeration cycle. On the left is a circular 'Compresso' (compressor) with a 'Suction' line and a 'Discharge tube'. The 'Discharge tube' leads to a 'Condense' (condenser) unit. From the condenser, a 'Hot' line goes up to a 'Drye' (drier) unit. From the drier, a 'High Pressure' line goes down to an 'Evaporato' (evaporator) unit. From the evaporator, a 'Low pressure' line goes left back to the compressor. Arrows indicate the flow direction: from the evaporator to the compressor, through the condenser and drier, and back to the evaporator.</p>
Replacement of drier.	- Be sure to replace drier when repairing pipes and injecting refrigerant.
Nitrogen blowing welding.	- Weld under nitrogen atmosphere in order to prevent oxidation inside a pipe. (Nitrogen pressure : 0.1~0.2 kg/cm2.)
Others.	<p>1) Nitrogen only should be used when cleaning inside of cycle pipes inside and sealing.                  2) Check leakage with an electronic leakage tester.                  3) Be sure to use a pipe cutter when cutting pipes.                  4) Be careful not the water let intrude into the inside of the cycle.</p>

3. Practical Work for Heavy Repair

Items	Precautions
<p>1. Removal of residual refrigerant.</p>	<p>1) Remove residual refrigerant more than 5 minutes later after turning off the refrigerator. ( If not, compressor oil may leak inside.)                  2) Remove retained refrigerant slowly by cutting first high pressure side (drier part) with a nipper and then cut low pressure side.</p> 
<p>2. Nitrogen blowing welding.</p>	 <p><b>* When replacing a drier:</b>                  Weld 1 and 2 parts by blowing nitrogen (0.1~0.2kg/cm<sup>2</sup>) to high pressure side after assembling a drier.</p> <p><b>* When replacing a compressor:</b>                  Weld 3 and 4 parts by blowing nitrogen to the low pressure side.                  Note) For other parts, nitrogen blowing is not necessary because it does not produce oxidized scales inside pipe because of its short welding time.</p> <p><b>- KEYPOINTING</b>                  Welding without nitrogen blowing produces oxidized scales inside a pipe, Which affect on performance and reliability of a product.</p>

Items	Precautions
<p>3.Vacuum degassing</p>	<p><b>* Pipe Connection</b> Connect a red hose to the high pressure side and a blue hose to the low pressure side.</p> <p><b>* Vacuum Sequence</b> Open 1,2 valves and evacuate for 40 minutes. Close valve 1.</p>  <p><b>KEYPOINTING</b></p> <ol style="list-style-type: none"> <li>1) If power is applied during vacuum degassing, vacuum degassing shall be more effective.</li> <li>2) Operate compressor while charging refrigerant. (It is easier and more certain to do like this.)</li> </ol>
<p>4.Refrigerant charging</p>	<p><b>* Charging sequence</b></p> <ol style="list-style-type: none"> <li>1) Check the amount of refrigerant supplied to each model after completing vacuum degassing.</li> <li>2) Evacuate bombe with a vacuum pump.</li> <li>3) Measure the amount of refrigerant charged. <ul style="list-style-type: none"> <li>- Measure the weight of an evacuated bombe with an electronic scale.</li> <li>- Charge refrigerant into a bombe and measure the weight. Calculate the weight of refrigerant charged into the bombe by subtracting the weight of an evacuated bombe.</li> </ul> </li> </ol>  <p><b>- KEYPOINTING</b></p> <ol style="list-style-type: none"> <li>1) Be sure to charge the refrigerant at around 25C.</li> <li>2) Be sure to keep -5g in the winter and +5g in summer.</li> </ol> <div style="border: 1px solid black; padding: 5px; margin-top: 10px;"> <p><b>Calculation of amount of refrigerant</b></p> <p>the amount of refrigerant charged = a weight after charging - a weight before charging (a weight of an evacuated cylinder)</p> </div>

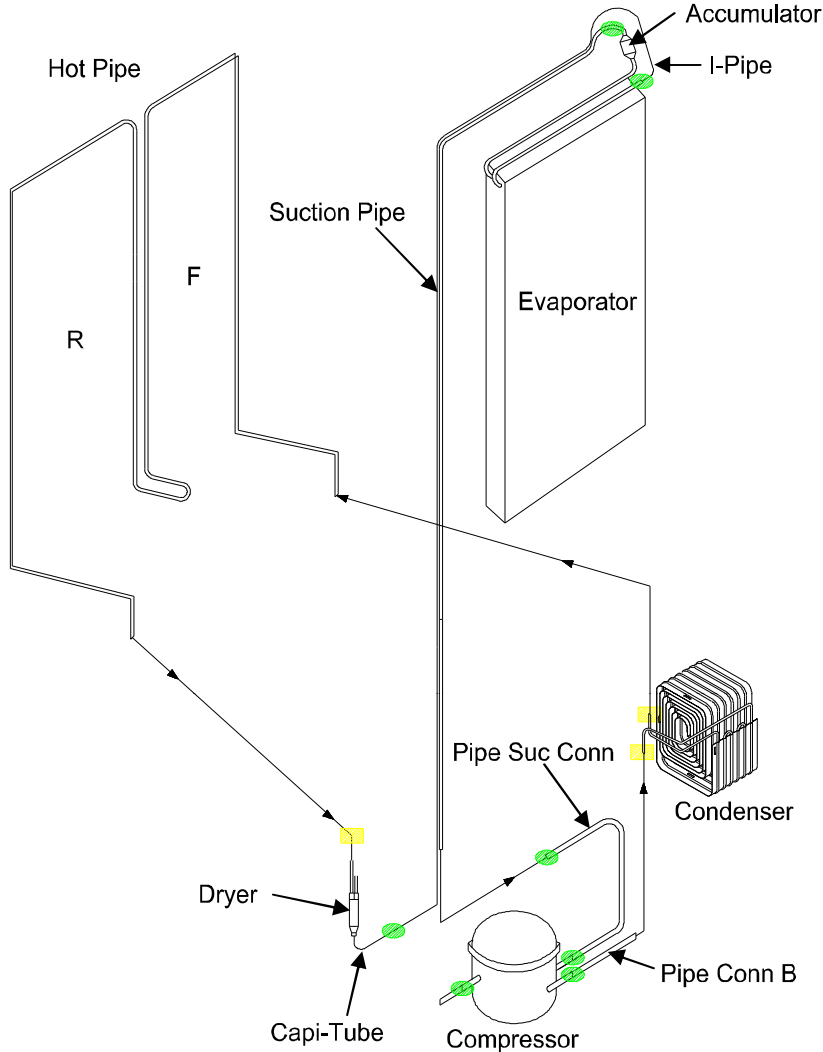
Item	Precautions
<p>4. Refrigerant charging</p>	<p>4) Refrigerant Charging                      Charge refrigerant while operating a compressor as shown above.                      5) Pinch a charging pipe with a pinch-off plier after completion of charging.                      6) Braze the end of a pinched charging pipe with copper brazer and take a gas leakage test on the welded parts.</p> 
<p>5. Gas-leakage test</p>	<p>* Take a leakage test on the welded or suspicious area with an electronic leakage tester.</p>
<p>6. Pipe arrangement in each cycle</p>	<p>* Check each pipe is placed in its original place before closing a cover back-M/C after completion of work.</p>

**< Standard Regulations for Heavy Repair >**

- 1) Observe the safety precautions for gas handling.
- 2) Use JIG (or wet towel) in order to prevent electric wires from burning during welding. (In order to prevent insulation break and accident.)
- 3) The inner case shall be melted and insulation material (polyurethane) shall be burnt if not cared during welding inner case parts.
- 4) The copper pipe shall be oxidized by overheating if not cared during welding.
- 5) Not allow the aluminum pipes to contact to copper pipes. (In order to prevent corrosion.)
- 6) Make sure that the inner diameter should not be distorted while cutting a capillary tube.
- 7) Be sure that a suction pipe and a filling tube should not be substituted each other during welding. (High efficiency pump.)



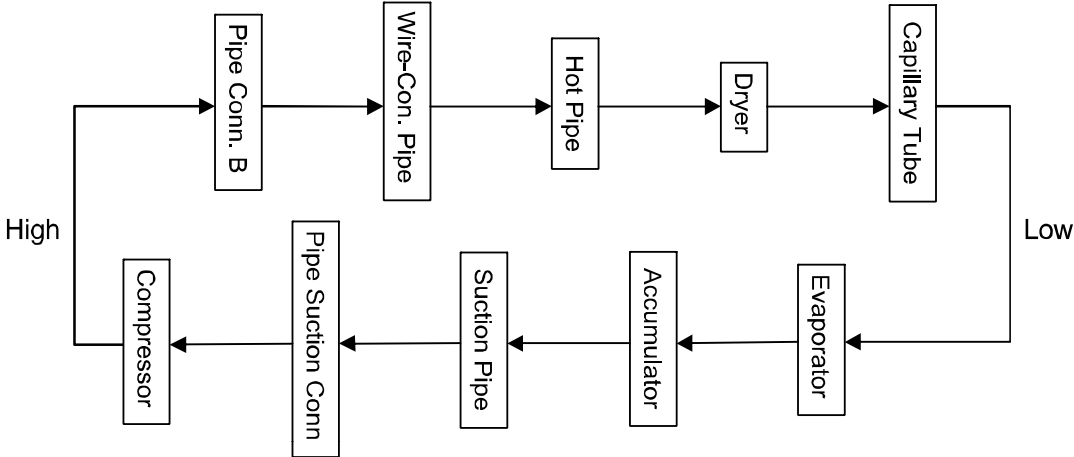
Brzing Reference Drawings

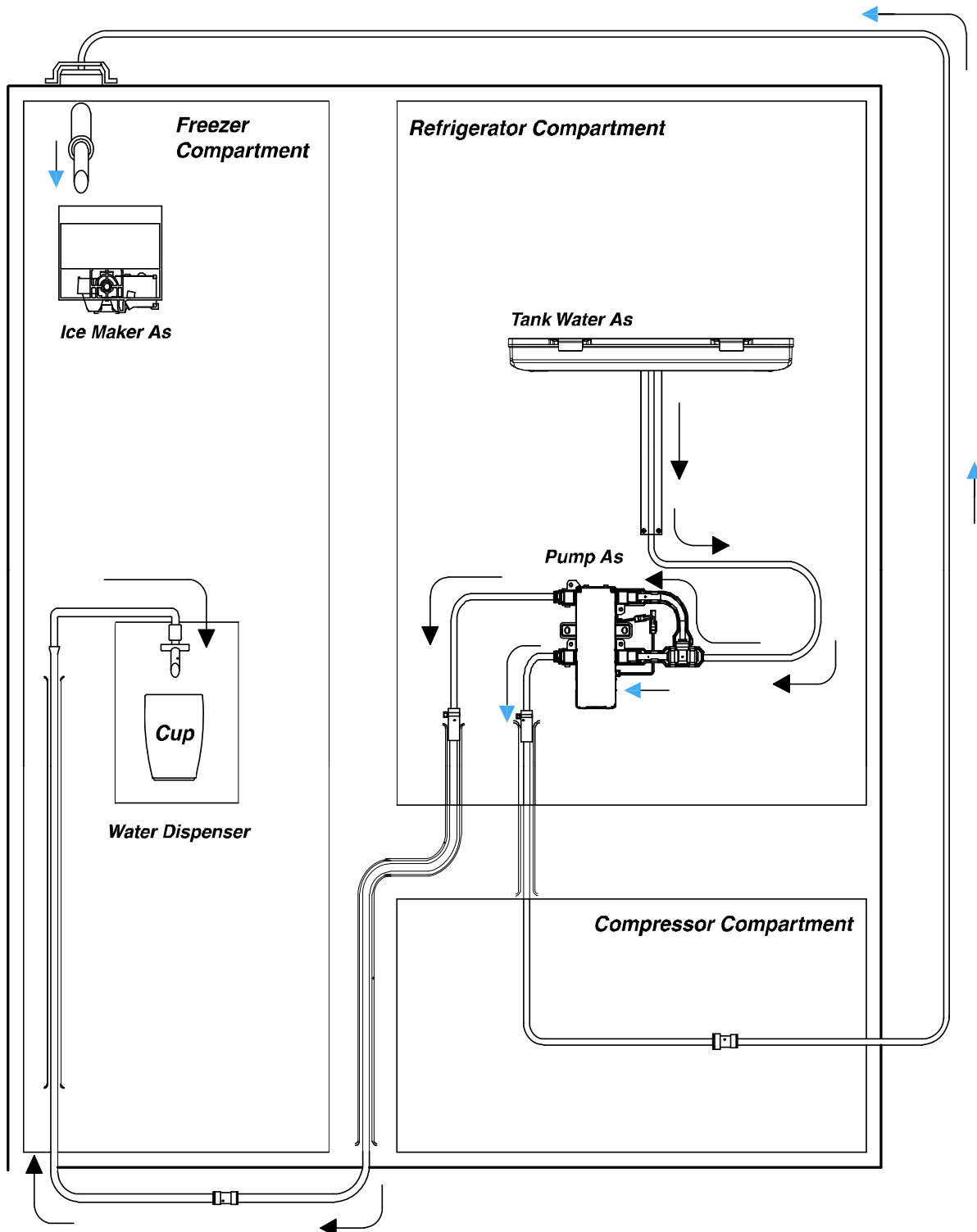


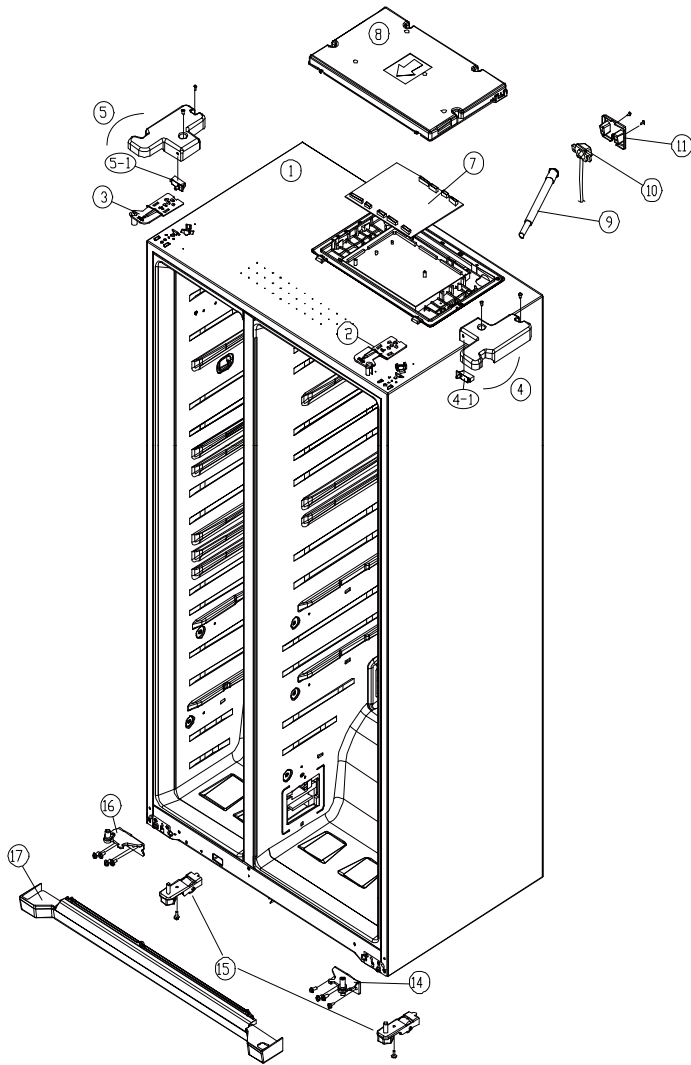
► Welding Point

●	Copper Welding (Ag 5%)	7 Points
■	Silver Welding (Ag 35%)	3 Points

► Flow of Refrigeration Cycle



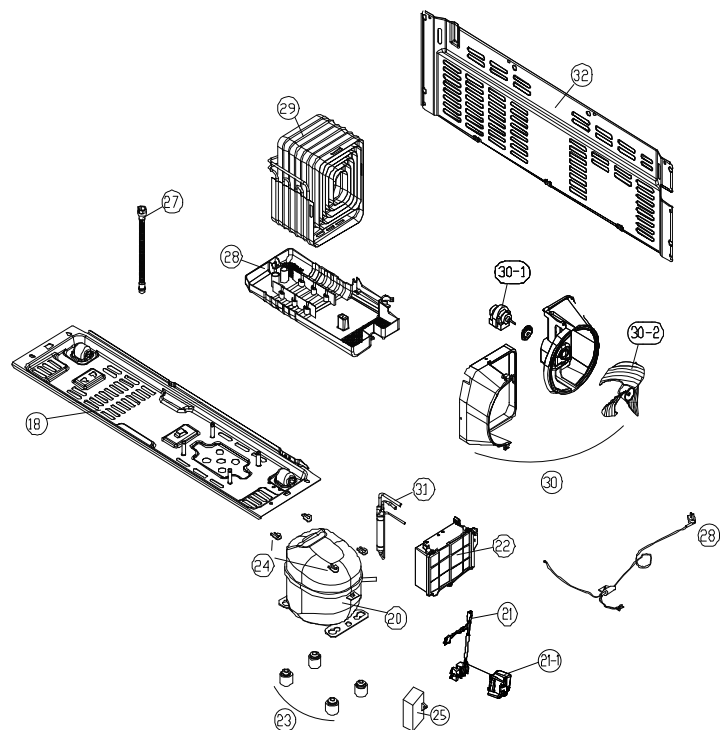




No	Part Code	Part Name	Description	Q'ty		
				Basic	DISP.	DISP. +H/BAR
1	-	ASSY CAB URT	-	1	1	1
2	3012933100	HINGE *T *R	PO T3.0+PAINT	1	1	1
3	3012933000	HINGE *T *L	PO T3.0+PAINT	1	1	1
4	3001436800	COVER HI *T *R AS	FRX-621B	1	1	1
4-1	3018125601	SWITCH H/BAR DR AS	SP101B-2D1(G) GRAY	1	1	1
5	3001436700	COVER HI *T *L AS	FRX-621B	1	1	1
5-1	3018125601	SWITCH H/BAR DR AS	SP101B-2D1(G) GRAY	1	1	1
7	30143LJ060	PCB MAIN AS	BASIC	1	X	X
	30143LK030		DISP. +H/BAR(Normal Comp.)	X	X	1
	30143LK060		DISP. +H/BAR (Inverter Comp.)			
	30143LK040		DISP. (Normal Comp.)	X	1	X
	30143LK070		DISP. (Inverter Comp.)			
8	3011446001	COVER M/PCB BOX	PP(FB-72)	1	1	1
9	3013226800	HOSE ICE MAKER TUBE AS	220-240V/5W	X	1	1
	3013226810		110-127V/5W			
10	3012540200	GUIDE CAB W/TUBE A AS	X22.. MODEL	X	1	1
11	3011444100	COVER GUIDE CAB W/T A	PP	X	1	1
14	3012933500	HINGE *U *R AS		1	1	1
15	3010673800	BRACKET ADJ FOOT AS		2	2	2
16	3012933400	HINGE *U *L AS		1	1	1
17	3001440200	COVER CAB BRKT AS	FRX-621B	1	1	1

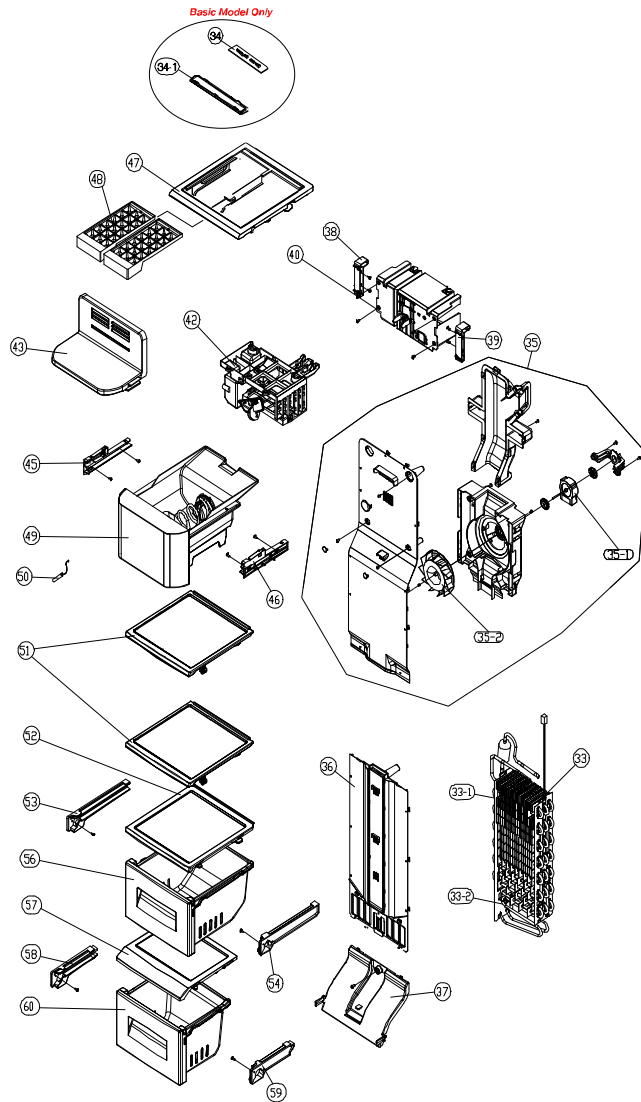
- Some parts can be changed for improving their performance without notice.

No	Date	Note



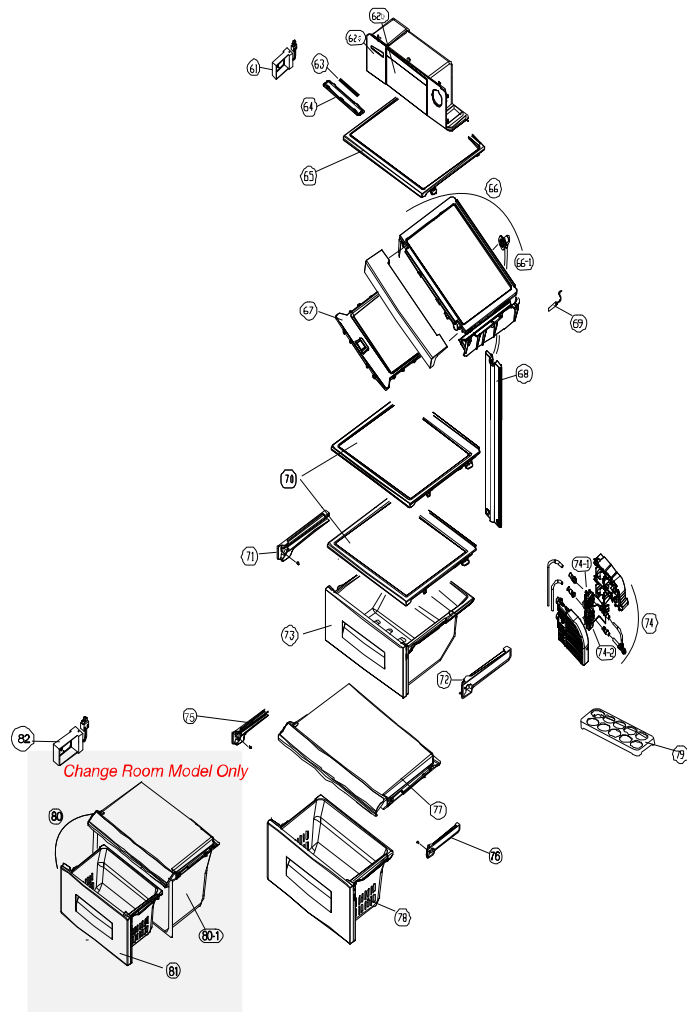
No	Part Code	Part Name	Description	Q'ty
18	3010359600	BASE COMP AS	-	1
19	OPTION	CORD POWER AS	country dependent	1
20	3956180910	COMPRESSOR	EGX80HLC (115-127V/60Hz)	1
	3956183H4B		MK183H-L2UB(220V/60HZ)	
	3956183D2B		MK183D-L2UB(110-127V)	
	3956183Q5B		MK183Q-L2UB(220-240V/50Hz)	
	3956180045		NW80LHP4-L(220-240V/50Hz)	
	3956180055		NW80LHP5-L (220-240V/50Hz)	
	3956112250		DG125E11RAW5(220-240V/50Hz)	
3956114M80	LQ140NAEM(220-240V/50Hz)			
3959115280	EU4A5Q-L2X, Inverter Comp.			
21	3018132600	SWITCH P TSD AS	4TM445KFB(EGX80HLC)	1
	3018129720	SWITCH P RELAY AS	265RFB, J531Q34E220M(MK183H-L2UB)	1
	3018129710		445PHB, J531Q32E6R8M(MK183D-L2UB)	
	3018129600		265RHB, J531Q35E330M(MK183Q-L2UB)	
	3018129750		265NHBY, S330(NW80LHP4-L)	
	3018129760		213NHBY, S330(NW80LHP5-L)	
	3018129650		232NFB, PTH7M330MD2(DG12E11RAW5)	
	3018133900		4TM205RFB, 330M(LQ140NAEM)	
3018133800	4TM319SFB(EU4A5Q), Inverter Comp.			
21-1	3811402510	COVER RELAY	MQ98(LOPOX PTJULM54) LG Comp.	1
	3011402100		DS3-3NORYL S/S Comp.	
22	3814300300	BOX INVERTER AS	PP(EU4A5Q Only), Inverter Comp.	1
23	3010101600	ABSORBER COMP	NBR	4
	3010101480	ABSORBER COMP AS	NBR+SPRING	
24	3016002500	COMP WASHER	SK-5 T0.8	4
25	3016405700	CAPACITOR RUN	250VAC/12 $\mu$ F (WIRE,P2)	1
	3016406100		400VAC/5 $\mu$ F (WIRE,P2)	
	3016405900		350VAC/5 $\mu$ F (WIRE, P2)	
	3016402060		400VAC/6 $\mu$ F (WIRE, P2)	
	3016405020		250VAC/12 $\mu$ F (WIRE,P2)	
27	3013201700	HOSE DRN B	PE FRB-5970NB	1
28	3011199L00	CASE VAPOR AS	FRX-621B	1
29	3014467200	PIPE WICON AS	TWS OD4.76*TO.7	1
30	3018410500	MOUTHBELL AS	FRX-621B	1
30-1	3015920900	MOTER C FAN	D4612AAA31	1
30-2	3011836300	FAN	PP OD3.17*D150	1
31	3019808100	DRYER AS	C1220T-M OD19.05*L135	1
32	3001436500	COVER MACH RM AS		1

- Some parts can be chaged for improving their performance without notice.



NO	PART-CODE	PART NAME	SPEC.	Q'ty	
				Basic Model	Dispenser Model
33	3017068900	EVA AS	220-240V, 280W	1	1
	3017068910		110-127V, 250W		
33-1	3014809500	SENSOR D AS	PBN-43	1	1
33-2	3012824210	HEATER SHEATH AS	220-240V, 280W	1	1
	3012824220		110-127V, 250W		
34	30143HJ210	PCB FRE LED AS	FR-4 125X20 1.6T	1	X
34-1	3015517200	WINDOW F LED *T	ABS	1	X
35	3018928800	LOUVER F A AS	FRY-621B	1	1
35-1	3015920700	MOTOR F FAN AS		1	1
35-2	3011836400	FAN F		1	1
36	3018928900	LOUVER F B AS	FRY-621B	1	1
37	3001434700	COVER F RETURN	HIPS	1	1
38	3012517800	GUIDE G MOTR BRKT*L	ABS	X	1
39	3012517900	GUIDE G MOTR BRKT*R	ABS		
40	3010673600	BRACKET GEARED MOTR AS	FRX-601D, 220-240V/50Hz	X	1
	3010673620		FRX-601D, 220-240V/60Hz		
	3010673610		FRX-601D, 110-127V		
42	3012231400	FRAME I/MAKER AS	FRX-601D		
43	3001435000	COVER I/CRUSHER*T	HIPS		
45	3012538200	GUIDE I/CRUSHER *L	ABS		
46	3012538100	GUIDE I/CRUSHER *R	ABS		
47	3017851700	SHELF F ICE AS	FRX-621B	1	x
48	3011186300	CASE ICING	PP	2	x
49	3011199K00	CASE I/CRUSHER AS	FRX-601D	x	1
50	3014809300	SENSOR F AS	PT-38	1	1
51	3017851200	SHELF F AS		2	2
52	3001438000	COVER F CASE*T AS		1	1
53	3012514512	GUIDE CASE A *L AS	FR-S580EG(PP)	1	1
54	3012514612	GUIDE CASE A *R AS	FR-S580EG(PP)	1	1
56	3011124000	CASE F*T AS		1	1
57	3001434500	COVER F CASE *U	HIPS	1	1
58	3012529712	GUIDE CASE C *L AS	FRU-571I(PP)	1	1
59	3012529812	GUIDE CASE C *R AS	FRU-571I(PP)	1	1
60	3011124100	CASE F*U AS	FRX-621B	1	1

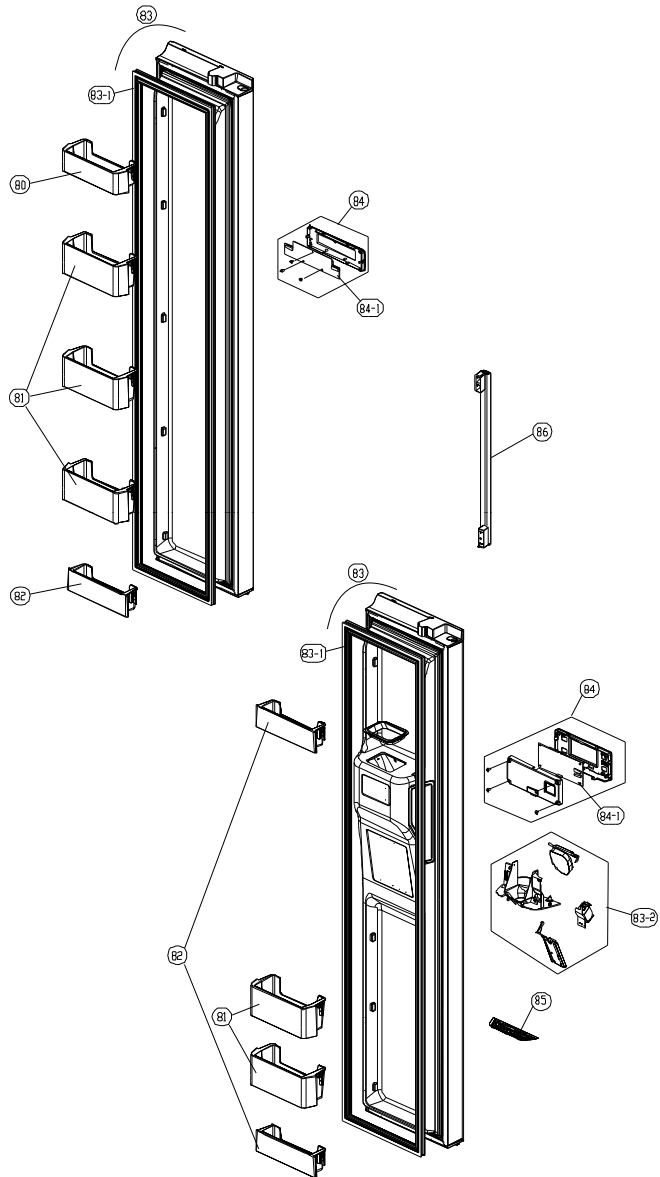
- Some parts can be changed for improving their performance without notice.



NO	PART-CODE	PART NAME	SPEC.	Q'ty		
				Basic Model	Dispenser Model	Change RM Model
61	3016767100	DAMPER AS	DU24-013	1	1	1
62a	3001436900	COVER DAMPER AS	FRX-621B	1	1	1
62b	3015517000	WINDOW COVR DAMP	GPPS	1	1	1
63	30143HJ220	PCB REF LED AS	9-LED FR-4 230X20-1.6	1	1	1
64	3015517100	WINDOW R LED *T	ABS	1	1	1
65	3017851300	SHELF R AS	FRX-621B	2	1	1
66	3017858300	SHELF W/TANK TOTAL AS	FPX-602	X	1	1
66-1	3012544900	GUIDE W/TANK CASE	FPX-602,SILICON	X	1	1
67	3018202700	TANK WATER TOTAL AS	FPX-602	X	1	1
68	301149AX00	COVER W/TUBE	HIIPS	X	1	1
69	3014809400	SENSOR R AS	PBN-43B	1	1	1
70	3001437200	COVER VEGETB CASE AS	PP+GLASS	2	2	2
71	3012514512	GUIDE CASE A *L AS	FR-S580EG(PP)	1	1	1
72	3012514612	GUIDE CASE A *R AS	FR-S580EG(PP)	1	1	1
73	3011199P00	CASE VEGETB *M AS	FRX-621B	1	1	1
74	3010580800	BOX W/PUMP AS	FPX-602	X	1	1
74-1	3018450000	PUMP DISPENSER AS	DC12V, SANKYO	X	1	1
74-2	3018450100	PUMP I/MAKER AS	DC12V, SANKYO	X	1	1
75	3012529712	GUIDE CASE C *L AS	FR-S580EG(PP)	1	1	X
	3012529500	GUIDE CHANGE RM *L	ABS	X	X	1
76	3012529812	GUIDE CASE C *R AS	FR-S580EG(PP)	1	1	X
	3012529600	GUIDE CHANGE RM *R	ABS	X	X	1
77	3001438100	COVER CHANGE RM AS	FRX-621B	1	1	X
78	3011124200	CASE VEGETB *U AS	FRX-621B	1	1	X
79	3011190800	CASE EGG TRAY	GPPS(CRYSTAL)	1	1	1
80	3010573700	BOX CHANGE RM AS	FRX-601G	X	X	1
80-1	3001437001	COVER CHANGE RM	FRX-601G(NO INSU)	X	X	1
81	3011199M00	CASE CHANGE RM AS	-	X	X	1
82	3016767100	DAMPER AS	DU24-013	X	X	1

- Some parts can be chaged for improving their performace without notic

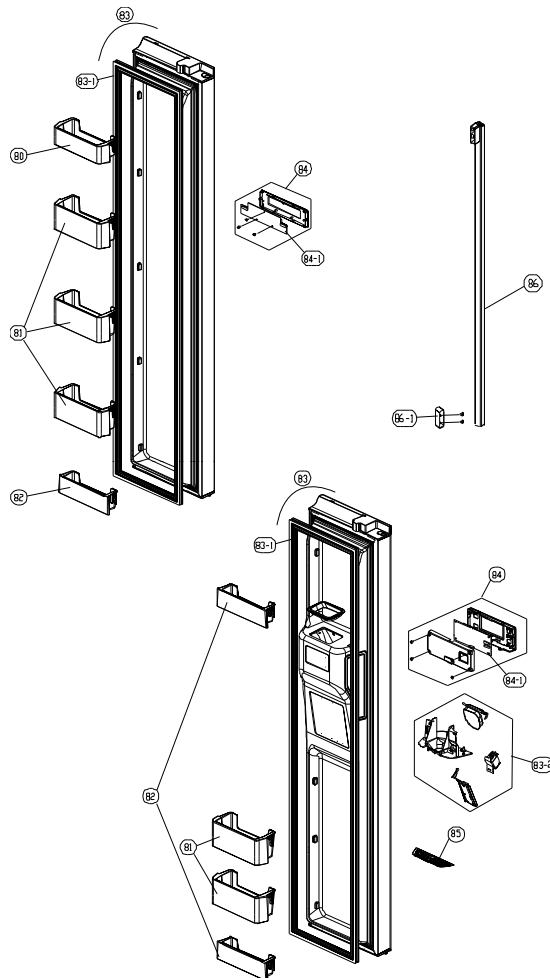
No	Date	Note



NO	PART-CODE	PART NAME	SPEC.	Q'ty	
				Basic	Disp.
80	3019058000	POCKET F*T	GPPS	1	X
81	3019057900	POCKET F*M	GPPS	3	2
82	3019058100	POCKET F*U	GPPS	1	2
83	30100A4HA0	ASSY F DR (Basic Model)	FRX-623B(BLH6L)	1	x
	30100AHB0		FRX-623B(TSH5L)		
	30100A4H60		FRX-623B(TSH5E)		
	30100A4H70		FRX-623B(DWH1C)		
	30100B7200	ASSY F DR (Dispenser, Dispenser+H/bar Model)	FRX-603D(TSH5E)	x	1
	30100B72G0		FRX-603D(TSH5L)		
	30100B7210		FRX-603D(DWH1C)		
	30100B7220		FRX-603D(BLH6P)		
30100B7230	FRX-603D(DWH1C)				
30100B72E0	FRX-603D(BLH6L)				
83-1	3012318860	GASKET F DR AS	FRX-621B	1	1
83-2	3010574300	BOX DISPNS I/SHUT AS	220-240V/50Hz	x	1
	3010574310		110-127V/60Hz		
84	3014250900	COVER F PCB AS	FRX-623	1	x
	3014250700	PANEL *F CONTL AS	FRX-603	x	1
84-1	30143JP160	PCB FRONT AS	FRX-623	1	x
	30143JM160		FRX-603	x	1
85	3012407800	GRILLE DISPS	ABS	x	1
86	3012657810	HANDLE F DR AS	FRX-603F,SPRAY	1	1

- Some parts can be chaged for improving their performance without notice.

No	Date	Note

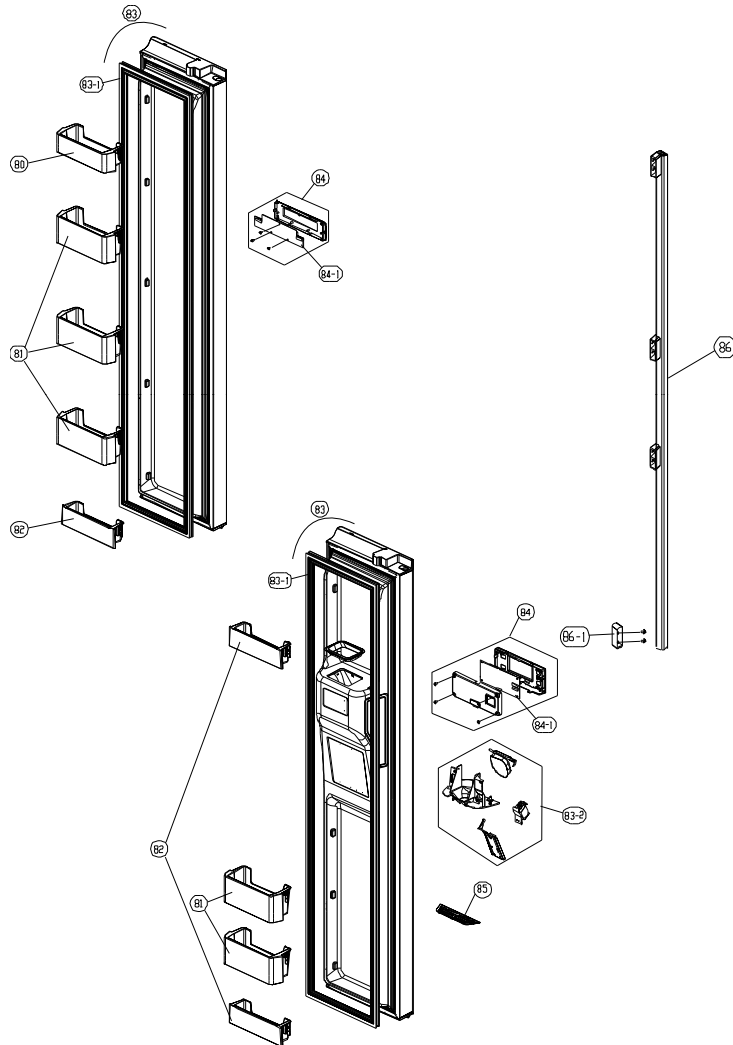


NO	PART-CODE	PART NAME	SPEC.	Q'ty	
				Basic	Disp.
80	3019058000	POCKET F*T	GPPS	1	X
81	3019057900	POCKET F*M	GPPS	3	2
82	3019058100	POCKET F*U	GPPS	1	2
83	30100A4H00	ASSY F DR (Basic Model)	FRX-621B,TSH5E	1	x
	30100A4H10		FRX-621B,TSH5L		
	30100A4H20		FRX-621B,MWH4L		
	30100A4H40		FRX-621B,SUG7E		
	30100A4H50		FRX-621B,BLH6P		
	30100A4H90	FRX-621B,DWH1C	x	1	
	30100A4J00	FRX-601D,TSH5E			
	30100A4J10	FRX-601D,TSH5L			
	30100A4J20	FRX-601D,MWH4L			
	30100A4J40	FRX-601D,SUG7E			
30100A4J50	FRX-601D,BLH6P				
83-1	3012318860	GASKET F DR AS	FRX-621B	1	1
83-2	3010574300	BOX DISPNS I/SHUT AS	220-240V/50Hz	x	1
	3010574310		110-127V/60Hz		
84	3014250900	COVER F PCB AS	FRX-623	1	x
	3014250700	PANEL *F CONTL AS	FRX-603	x	1
84-1	30143JP160	PCB FRONT AS	FRX-623	1	x
	30143JM160		FRX-603	x	1
85	3012407800	GRILLE DISPS	ABS	x	1
86	3012653700	HANDLE F DR AS	FRX-621B	1	1
86-1	3015320100	SUPPORTER F HN DL *U	ABS	1	1

- Some parts can be chaged for improving their performace without notice.

No	Date	Note	Remark	Remark

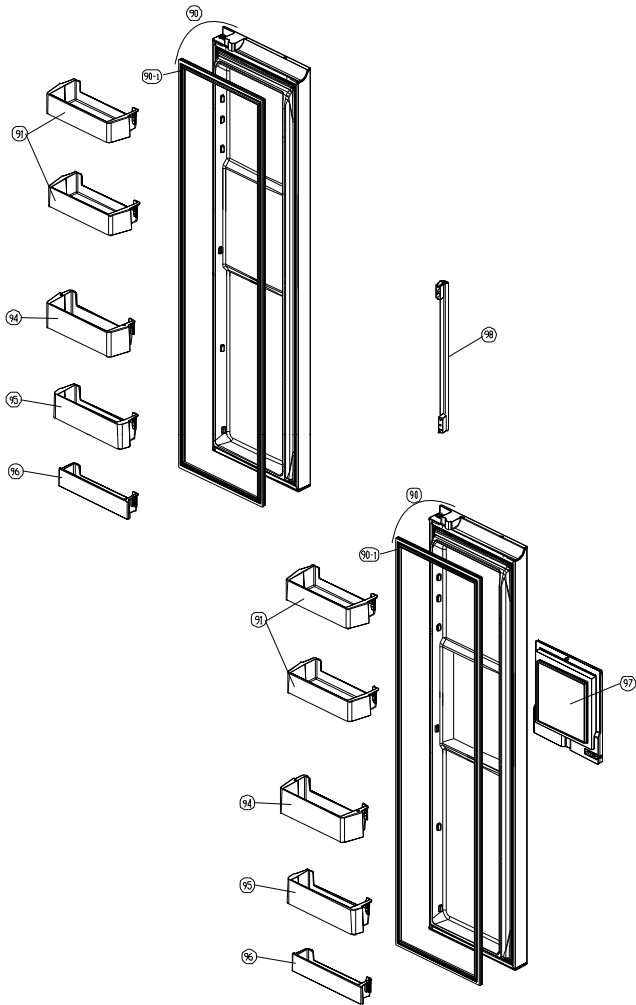




NO	PART-CODE	PART NAME	SPEC.	Q'ty			
				Basic	Disp.		
80	3019058000	POCKET F*T	GPPS	1	X		
81	3019057900	POCKET F*M	GPPS	3	2		
82	3019058100	POCKET F*U	GPPS	1	2		
83	30100A5H00	ASSY F DR (Basic Model)	FRX-621B,TSH5E	1	X		
	30100A5H10		FRX-621B,TSH5L				
	30100A5H20		FRX-621B,MWH4L				
	30100A5H40		FRX-621B,SUG7E				
	30100A5H50	FRX-621B,BLH6P					
	30100A5J00	ASSY F DR (Dispenser , Dispenser+H/bar Model)	FRX-602D,TSH5E			X	1
	30100A5J10		FRX-602D,TSH5L				
	30100A5J20		FRX-602D,MWH4L				
	30100A5J40		FRX-602D,SUG7E				
	30100A5J50		FRX-602D,BLH6P				
30100A5JA0	FRX-602D,BLH6L						
83-1	3012318860	GASKET F DR AS	FRX-621B	1	1		
83-2	3010574300	BOX DISPNS I/SHUT AS	220-240V/50Hz	x	1		
	3010574310		110-127V/60Hz				
84	3014250900	COVER F PCB AS	FRX-623	1	x		
	3014250700	PANEL *F CONTL AS	FRX-603	x	1		
84-1	30143JP160	PCB FRONT AS	FRX-623	1	x		
	30143JM160		FRX-603	x	1		
85	3012407800	GRILLE DISPS	ABS	x	1		
86	3012653710	HANDLE F DR AS	FRX-622B	1	1		
86-1	3015320100	SUPPORTER F HN DL*U	ABS	1	1		

- Some parts can be chaged for improving their performance without notice.

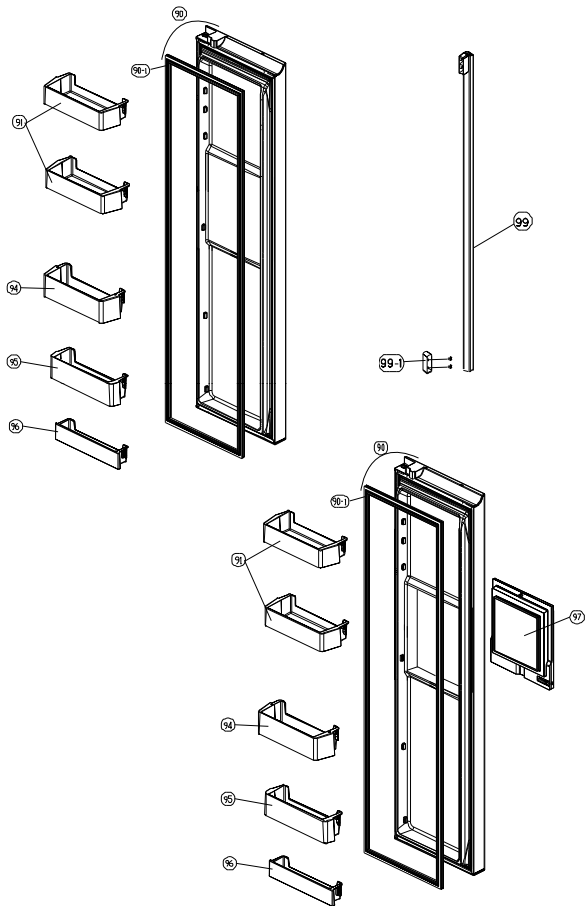
No	Date	Note	Remark



NO	PART-CODE	PART NAME	SPEC.	Q'ty	
				Non H/Bar Door	H/Bar Door
90	30100B77F0	ASSY R DR (Basic Model , Dispenser Model)	FRX-603D,TSH5L	1	x
	30100B77E0		FRX-603D,BLH6L		
	30100B7700		FRX-603D,TSH5E		
	30100B7710		FRX-603D,DWH1C		
	30100B7720	FRX-603D,BLH6L			
	30100B7300	ASSY R DR (H/bar Model)	FRX-603G,TSH5E	x	1
	30100B7310		FRX-603G,DWH1C		
	30100B7320		FRX-603G,BLH6P		
30100B73D0	FRX-603G,BLH6L				
90-1	3012318960	GASKET R DR AS	PVC+MAGNET	1	1
91	3019058420	POCKET R*T	GPPS	2	2
94	3019058600	POCKET R H/BAR	GPPS	1	1
95	3019058300	POCKET R*M	GPPS	1	1
96	3010058500	POCKET R*U	GPPS	1	1
97	3001707720	DOOR H/BAR AS	TITANIUM	X	1
	3001707730		WHITE		
98	3012657910	HANDLE R DR AS	FRX-603F,SPRAY	1	1

- Some parts can be changed for improving their performance without notice.

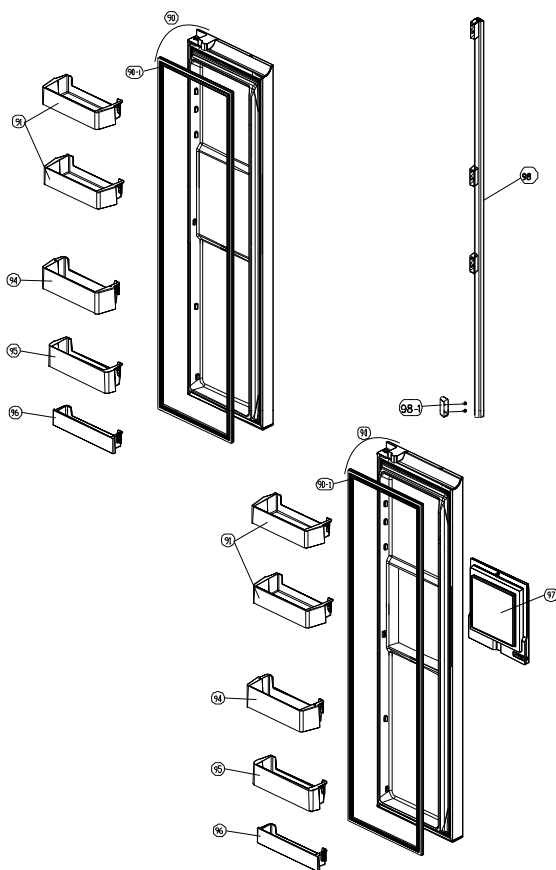
No	Date	Note	Remark



NO	PART-CODE	PART NAME	SPEC.	Q'ty	
				Non H/Bar Door	H/Bar Door
90	30100A4K00	ASSY R DR (Basic Model , Dispenser Model)	FRX-621B,TSH5E	1	x
	30100A4K10		FRX-621B,TSH5L		
	30100A4K20		FRX-621B,MWH4L		
	30100A4K40		FRX-621B,TSH5E		
	30100A4K50		FRX-621B,BLH6P		
	30100A4K80		FRX-621B,DWH1C		
	30100A4L00	ASSY R DR (H/bar Model)	FRX-601F,TSH5E	x	1
	30100A4L10		FRX-601F,TSH5L		
	30100A4L20		FRX-601F,MWH4L		
	30100A4L40		FRX-601F,TSH5E		
30100A4L50	FRX-601F,BLH6P				
90-1	3012318960	GASKET R DR AS	PVC+MAGNET	1	1
91	3019058420	POCKET R*T	GPPS	2	2
94	3019058600	POCKET R H/BAR	GPPS	1	1
95	3019058300	POCKET R*M	GPPS	1	1
96	3010058500	POCKET R*U	GPPS	1	1
97	3001707720	DOOR H/BAR AS	TITANIUM	X	1
	3001707730		WHITE		
99	3012653600	HANDLE R DR AS	FRX-621B	1	1
99-1	3015319700	SUPPORTER R HN DL	ABS	1	1

- Some parts can be chaged for improving their performance without notice.

No	Date	Note	Remark



NO	PART-CODE	PART NAME	SPEC.	Q'ty	
				Non H/Bar Door	H/Bar Door
90	30100A5K00	ASSY R DR (Basic Model , Dispenser Model)	FRX-622B,TSH5E	1	x
	30100A5K10		FRX-622B,TSH5L		
	30100A5K20		FRX-622B,MWH4L		
	30100A5K40		FRX-622B,SUG7E		
	30100A5K50		FRX-622B,BLH6P		
	30100A5KB0	FRX-622B,BLH6L			
	30100A5L00	ASSY R DR (H/bar Model)	FRX-602F,TSH5E	x	1
	30100A5L10		FRX-602F,TSH5L		
	30100A5L20		FRX-602F,MWH4L		
	30100A5L40		FRX-602F,SUG7E		
30100A5L50	FRX-602F,BLH6P				
90-1	3012318960	GASKET R DR AS	PVC+MAGNET	1	1
91	3019058420	POCKET R*T	GPSS	2	2
94	3019058600	POCKET R H/BAR	GPSS	1	1
95	3019058300	POCKET R*M	GPSS	1	1
96	3010058500	POCKET R*U	GPSS	1	1
97	3001707720	DOOR H/BAR AS	TITANIUM	X	1
	3001707730		WHITE		
98	3012653610	HANDLE R DR AS	FRX-622B	1	1
98-1	3015319700	SUPPORTER R HN DL*U	ABS	1	1

- Some parts can be chaged for improving their performance without notice.

No	Date	Note	Remark