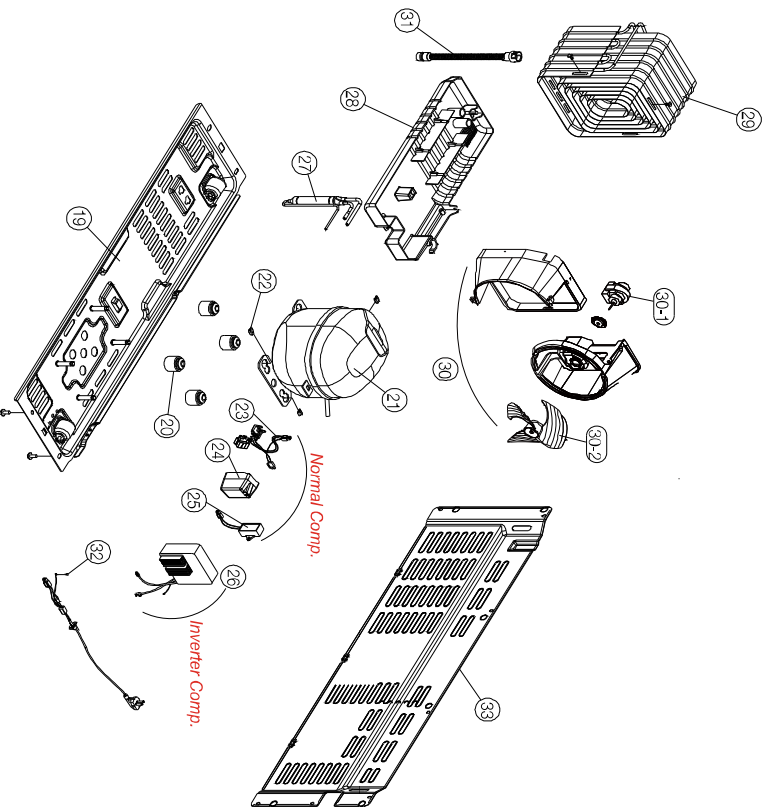


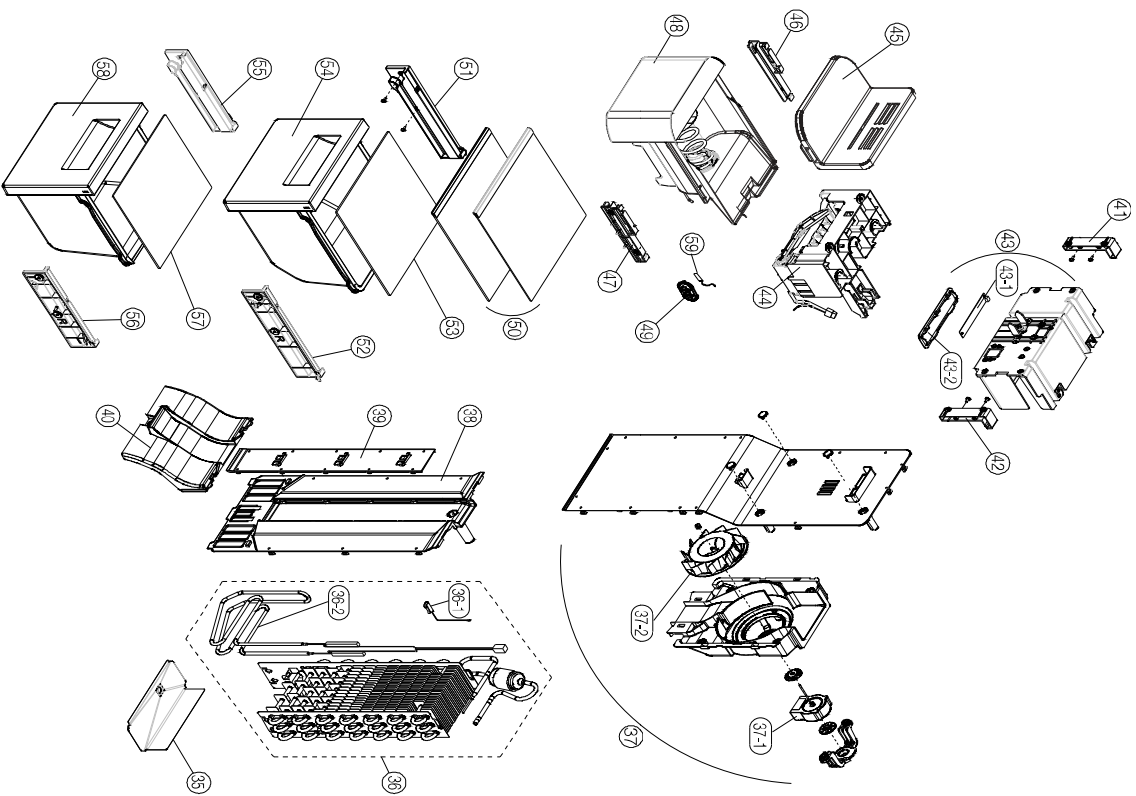
| No  | Part Code  | Part Name                   | Description                | Qty |
|-----|------------|-----------------------------|----------------------------|-----|
| 1   | -          | ASSY CAB URT                | -                          | 1   |
| 2   | 3012933110 | HINGE *T *R                 | PO T3.0                    | 1   |
| 3   | 3012933010 | HINGE *T *L                 | PO T3.0                    | 1   |
| 4   | 3001436810 | COVER HI *T *R AS           | PP                         | 1   |
| 4-1 | 3018125601 | SWITCH H/BAR DR AS          | SP101B-2D1(G) GRAY         | 1   |
| 4-2 | 3014810600 | SENSOR HUMID AS             | DW-HS001A                  | 1   |
| 5   | 3001436700 | COVER HI *T *L AS           | FRX-621B                   | 1   |
| 5-1 | 3018125601 | SWITCH H/BAR DR AS          | SP101B-2D1(G) GRAY         | 1   |
| 6   | 3010968400 | CAP CAB COVER               | PP                         | 2   |
|     | 301431G070 |                             | NORMAL COMP.               |     |
|     | 301431G0G0 |                             | NORMAL COMP., H/BAR        |     |
|     | 301431G060 | PCB MAIN AS                 | INVERTER COMP, A+, H/BAR   |     |
|     | 301431G080 |                             | INVERTER COMP, A++         |     |
|     | 301431G0D0 |                             | INVERTER COMP, A+++, H/BAR |     |
| 7   | 301431G010 |                             | NORMAL COMP.               | 1   |
|     | 301431G010 |                             | NORMAL COMP., H/BAR        |     |
|     | 301431G030 | PCB MAIN AS (CRUSHED ICE)   | INVERTER COMP, A+, H/BAR   |     |
|     | 301431G020 |                             | INVERTER COMP, A++         |     |
|     | 301431G010 |                             | INVERTER COMP, A+++, H/BAR |     |
| 8   | 300149CR00 | COVER M/PCB BOX             | FLAME RESISTING PP         | 1   |
| 9   | 3013227800 | HOSE I/MAKER TUBE AS        | FRQ-503D                   | 1   |
| 10  | 3012553000 | GUIDE CAB W/TUBE A AS       | FRQ-503D                   | 1   |
| 11  | 300149CY00 | COVER GUIDE CAB W/TUBE A AS | FRQ-503D                   | 1   |
| 12  | 3012933500 | HINGE *U *R AS              | FRX-621B                   | 1   |
| 13  | 3012933400 | HINGE *U *L AS              | FRX-621B                   | 1   |
| 14  | 3010684300 | BRACKET ADJ FT *R AS        | FRQ-503D                   | 1   |
| 15  | 3010684200 | BRACKET ADJ FT *L AS        | FRQ-503D                   | 1   |
| 16  | 3001433900 | COVER CAB BRKT              | PP                         | 1   |
| 17  | 3012325810 | GASKET CAB BASE             | PVC                        | 1   |

- Some parts can be changed for improving their performance without notice.



| No   | Part Code  | Part Name         | Description                          | Qty         |               |
|------|------------|-------------------|--------------------------------------|-------------|---------------|
|      |            |                   |                                      | Normal Comp | Inverter Comp |
| 19   | 3010359600 | BASE COMP AS      | FRX-621B                             | 1           |               |
| 20   | 3010101600 | ABSORBER COMP     | R-134d Comp. Only                    |             |               |
|      | 3010101480 | ABSORBER COMP AS  | R-600d Comp. Only                    | 1           |               |
| 21   | 3956180045 | COMPRESSOR        | NW80LHP4-L, 220V/60Hz[R-134d]        | 1           | X             |
|      | 3956112950 |                   | CMA121NAEM, 220-240V/50Hz[R600c]     |             |               |
|      | 39591A5290 |                   | ENV4A5G-L2B/220-240V/50, 60Hz[R600c] |             |               |
|      | 3959111M70 |                   | VESD11C 230V, 50Hz[R600c]            | X           | 1             |
| 22   | 3016002500 | WASHER COMP       | SK-5 TO 8XW22XL24.5                  | 3           |               |
| 23   | 3018129750 | SWITCH P RELAY AS | NW80LHP4-L, 265NHB, S330             |             |               |
|      | 3018135000 |                   | CMA121NAEM, 4TM21, 35FB, 330MD2      | 1           | X             |
| 24   | 3811400503 | COVER RELAY       | PP[SW5101SW], NW80LHP4-L             | 1           | X             |
|      | 3811402510 |                   | MQ98, CMA121NAEM                     |             |               |
| 25   | 3016402060 | CAPACITOR RUN     | 400VAC/6 μF T WIRE, P2], NW80LHP4-L  | 1           | X             |
|      | 3016406100 |                   | 400VAC/5 μF T WIRE, P2], CMA121NAEM  |             |               |
| 26   | 3814300600 | BOX INVERTER AS   | ENV4A5G-L2B                          | X           | 1             |
|      | 3010587200 |                   | VESD11C                              |             |               |
| 27   | 3016880100 | DRYER AS          | -                                    | 1           |               |
| 28   | 3011199100 | CASE VAPORIS AS   | FRX-621B[PP NATURAL]                 | 1           |               |
| 29   | 3014461530 | PIPE WICON AS     | FRU-57[SBS]                          | 1           |               |
| 30   | 3018410500 | MOUTHBELL AS      | FRX-621B                             | 1           |               |
| 30-1 | 3015920900 | MOIER C FAN       | D4612AAA31                           | 1           |               |
| 30-2 | 3011836300 | FAN               | PP OD3.17*D150                       | 1           |               |
| 31   | 3013222900 | HOSE DRN B        | PE                                   | 1           |               |
| 32   | OPTION     | CORD POWER AS     | country dependent                    | 1           |               |
| 33   | 3001436510 | COVER MACH RM AS  | PCM / T0.4                           | 1           |               |

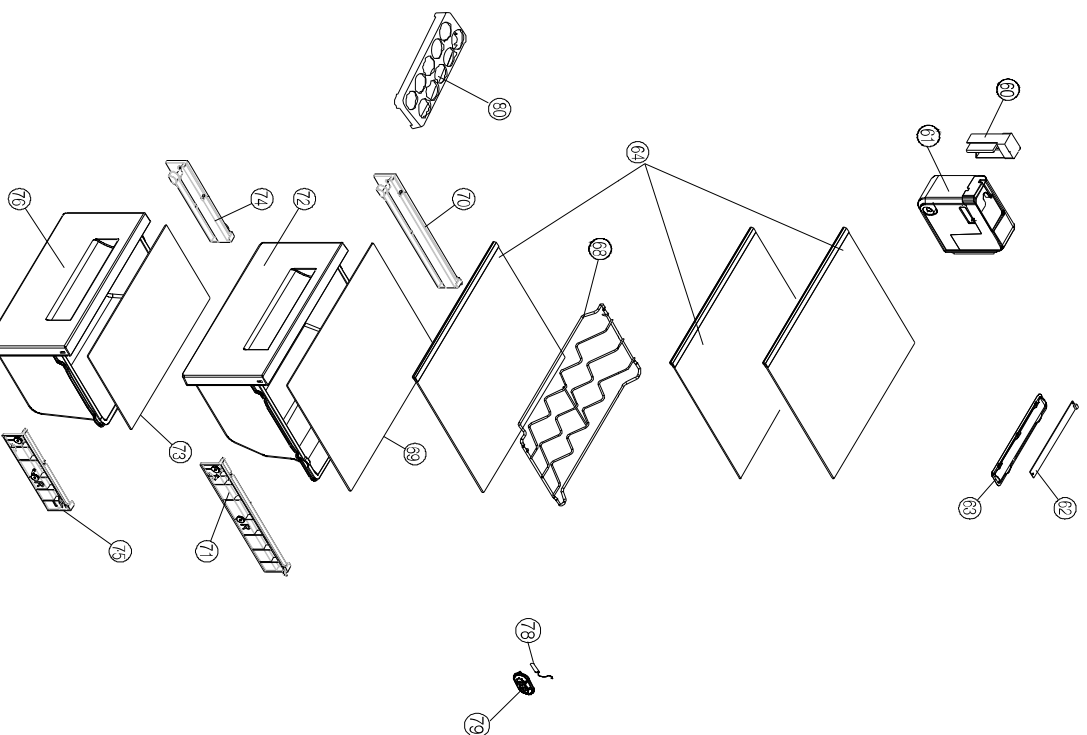
- Some parts can be changed for improving their performance without notice.



| NO   | PART-CODE  | PART NAME           | SPEC.                      | Qty        |   |
|------|------------|---------------------|----------------------------|------------|---|
|      |            |                     |                            | All Models |   |
| 35   | 3012551400 | GUIDE DRN           | SGCC                       |            | 1 |
| 36   | 3017071100 | EVA AS              | 220-240V, 250W             |            | 1 |
| 36-1 | 3014809500 | SENSOR D AS         | PBN-43                     |            | 1 |
| 36-2 | 3012832100 | HEATER SHEATH AS    | 220-240V, 250W             |            | 1 |
| 37   | 3018933900 | LOUVER F A AS       | FRQ-503D                   |            | 1 |
| 37-1 | 3015920700 | MOTOR F FAN AS      | DL-5985DWRA                |            | 1 |
| 37-2 | 3011836400 | FAN F               | ABS                        |            | 1 |
| 38   | 3018933800 | LOUVER F B AS       | -                          |            | 1 |
| 39   | 3018933700 | LOUVER F D          | HIPS                       |            | 1 |
| 40   | 300149CK00 | COVER F RETURN      | HIPS                       |            | 1 |
| 41   | 3012517800 | GUIDE G MOTR BRKT-L | ABS                        |            | 1 |
| 42   | 3012517900 | GUIDE G MOTR BRKT-R | ABS                        |            | 1 |
| 43   | 3010683500 | BRACKET GMOTR AS    | 220-240V/50Hz              |            | 1 |
|      | 3010683510 | BRACKET GMOTR AS    | 220V/60Hz                  |            |   |
|      | 3010683520 | BRACKET GMOTR AS    | 120V/60Hz                  |            |   |
|      | 3010683710 | BRACKET GMOTR AS    | 220V/60Hz                  |            |   |
|      | 3010683720 | BRACKET GMOTR AS    | 120V/60Hz                  |            |   |
| 43-1 | 30143LR300 | PCB FRE LED AS      | CEM-1, SLED                |            | 1 |
| 43-2 | 3015517200 | WINDOW F LED *T     | ABS                        |            | 1 |
| 44   | 3012250000 | FRAME I/MAKER AS    | FRQ-503D                   |            | 1 |
| 45   | 300149CM00 | COVER I/CRUSHER *T  | HIPS                       |            | 1 |
| 46   | 3012552300 | GUIDE I/CRUSHER *L  | ABS                        |            | 1 |
| 47   | 3012552400 | GUIDE I/CRUSHER *R  | ABS                        |            | 1 |
| 48   | 301119WB00 | CASE I/CRUSHER AS   | NORMAL                     |            | 1 |
|      | 301119WC00 | CASE I/CRUSHER AS   | CRUSHED ICE                |            |   |
| 49   | 300149D800 | COVER SENSOR        | ABS                        |            | 1 |
| 50   | 3017863510 | SHELF F A AS        | FRQ-503D                   |            | 2 |
| 51   | 3012553600 | GUIDE CASE A *L AS  | PP                         |            | 1 |
| 52   | 3012553700 | GUIDE CASE A *R AS  | PP                         |            | 1 |
| 53   | 3017865900 | SHELF F B AS        | -                          |            | 1 |
| 54   | 301119WE00 | CASE F *T AS        | GPPS                       |            | 1 |
|      | 301119WE10 | CASE F *T AS        | GPPS+METAL DECO [Optional] |            |   |
| 55   | 3012553800 | GUIDE CASE C *L AS  | PP                         |            | 1 |
| 56   | 3012553900 | GUIDE CASE C *R AS  | PP                         |            | 1 |
| 57   | 3017866000 | SHELF F C AS        | -                          |            | 1 |
| 58   | 301119WF00 | CASE F *U AS        | GPPS                       |            | 1 |
|      | 301119WF10 | CASE F *U AS        | GPPS+METAL DECO [Optional] |            |   |
| 59   | 3014812100 | SENSOR D AS         | -                          |            | 1 |

## Refrigerator Compartment

| NO   | PART-CODE  | PART NAME                 | SPEC.                    | Qty        |
|------|------------|---------------------------|--------------------------|------------|
|      |            |                           |                          | All Models |
| 60   | 3016767100 | DAMPER AS                 | DUP4-013                 | 1          |
| 61   | 300149CX00 | COVER DAMPER AS           | FRQ-503D                 | 1          |
| 62   | 30143LR400 | PCB REF LED AS            | CEM-1.9LED               | 1          |
| 63   | 3015517100 | WINDOW R LED *T           | ABS                      | 1          |
| 64   | 3017863610 | SHELF R A AS              | -                        | 3          |
| 68   | 3017865100 | SHELF WINE                | SUS 304 [Option]         | 1          |
| 69   | 3017863300 | SHELF GLAS R B            | -                        | 1          |
| 70   | 3012554000 | GUIDE VEGETB CASE A *L AS | PP                       | 1          |
| 71   | 3012554100 | GUIDE VEGETB CASE A *R AS | PP                       | 1          |
| 72   | 301119WG00 | CASE VEGETB *T AS         | GPPS                     | 1          |
|      | 301119WG10 |                           | GPPS+METAL DECO [Option] |            |
| 73   | 3017863400 | SHELF GLAS R C            | -                        | 1          |
| 74   | 3012553800 | GUIDE CASE C *L AS        | PP                       | 1          |
| 75   | 3012553900 | GUIDE CASE C *R AS        | PP                       |            |
| 76   | 301119WH00 | CASE VEGETB *U AS         | GPPS                     | 1          |
|      | 301119WH10 |                           | GPPS+METAL DECO [Option] |            |
| 77   | 3010580800 | BOX W/PUMP AS             | FPX-602                  | 1          |
| 77-1 | 3018450000 | PUMP DISPENSER AS         | DC 12V, SANKYO           | 1          |
| 77-2 | 3018450100 | PUMP I/MAKER AS           | DC 12V, SANKYO           | 1          |
| 78   | 3014812200 | SENSOR R AS               | -                        | 1          |
| 79   | 300149D800 | COVER SENSOR              | ABS                      | 1          |
| 80   | 3011190800 | CASE EGG TRAY             | GPPS                     | 1          |



- Some parts can be changed for improving their performance without notice.

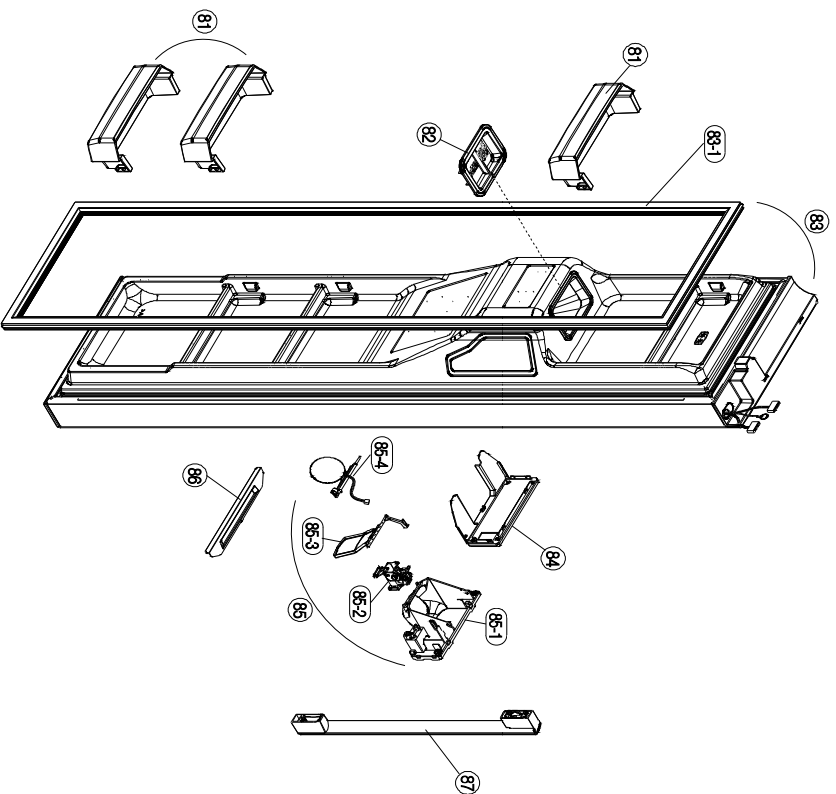
**Pocket & Panel parts code.**

| NO   | PART-CODE  | PART NAME          | SPEC.                    | Qty   |   |
|------|------------|--------------------|--------------------------|---|---|
|      |            |                    |                          |  |  |
| 81   | 3019071300 | POCKET F           | GPPS                     | 3   |   |
|      | 3019071600 |                    | GPPS+METAL DECO [Option] |   |   |
| 82   | 300149CP00 | COVER I/PATH FRAME | HIPS                     | 1   |   |
|      | 3014258200 |                    | NORMAL                   |   |   |
| 84   | 3014258300 | PANEL *F CONTL AS  | CRUSHED ICE              | 1   | x   |
|      | 3014260600 |                    | NORMAL                   |   |   |
|      | 3014260700 |                    | CRUSHED ICE              | x   | 1   |
|      | 3010585600 |                    | BOX DISPNS I/SHUT AS     | FRQ-503D  |   |
| 85-1 | 3010585200 | BOX DISPNS I/SHUT  | HIPS                     |   | 1   |
| 85-2 | 3015922800 | MOTOR I/SHUT AS    | DC12V (SCD)              |   | 1   |
| 85-3 | 3013704600 | LEVER DISPNS BOX   | PC                       |   | 1   |
| 85-4 | 300149CT00 | COVER ICE FLAP AS  | FRQ-503D                 |   | 1   |
| 86   | 30124M1500 | GRILL DISPNS       | ABS                      |   | 1   |

**Door & Handle parts code.**

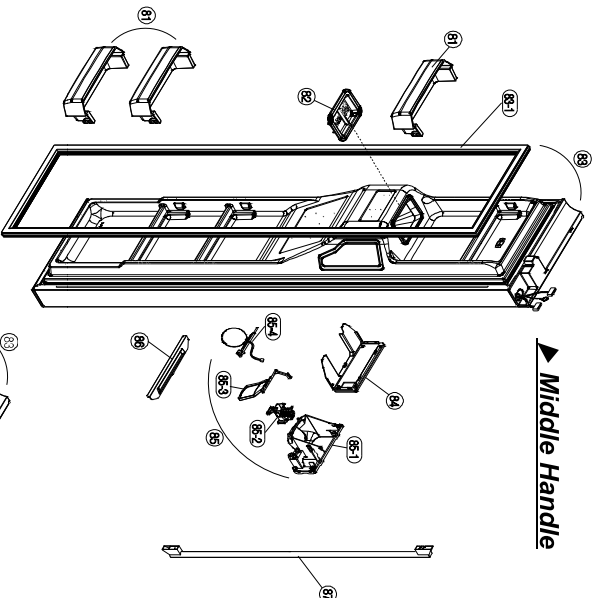
| NO   | PART-CODE  | PART NAME      | SPEC.                | Qty |
|------|------------|----------------|----------------------|-----|
| 83   | 30100C4E00 | ASSY F DR      | FRQ-503D(DWH1C)      | 1   |
|      | 30100C4E10 |                | FRQ-503D(TSH5E)      |     |
|      | 30100C4E30 |                | FRQ-503F(BLH6L)      |     |
|      | 30100C4E60 |                | FRQ-503D(TSH5L)      |     |
| 83-1 | 3012331600 | GASKET F DR AS | PVC-S+MAGNET         | 1   |
|      | 3012331620 |                | BLACK PVC-S + MAGNET |     |
|      | 3012661000 |                | NORMAL               |     |
| 87   | 3012661000 | HANDLE F DR AS | NORMAL               | 1   |
|      | 3012661010 |                | SPRAY                |     |

- Some parts can be changed for improving their performance without notice.

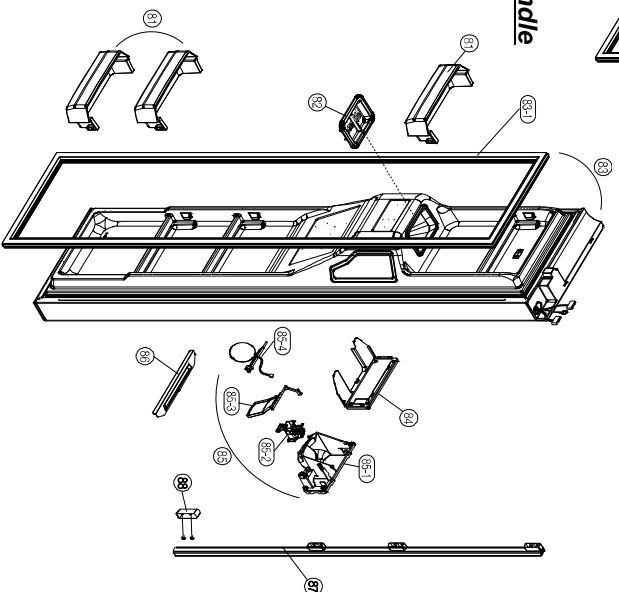


Pocket & Panel parts code.

| NO   | PART-CODE  | PART NAME            | SPEC.                   | Q'ty |
|------|------------|----------------------|-------------------------|------|
| 81   | 3019071300 | POCKET F             | GPPS                    | 3    |
|      | 3019071600 |                      | GPPS+METAL DECO(OPTION) |      |
| 82   | 300149CP00 | COVER I/PATH FRAME   | HIPS                    | 1    |
|      | 3012331600 |                      | PVC-S+MAGNET            |      |
| 83-1 | 3012331620 | GASKET F DR AS       | BLACK PVC-S + MAGNET    | 1    |
|      | 3014258200 |                      | NORMAL                  |      |
|      | 3014258300 |                      | CRUSHED ICE             |      |
|      | 3014260600 |                      | NORMAL                  |      |
| 84   | 3014260700 | PANEL *F COINTL AS   | CRUSHED ICE             | 1    |
|      | 3010585600 |                      | NORMAL                  |      |
|      | 3010585200 |                      | CRUSHED ICE             |      |
| 85-1 | 3010585200 | BOX DISPNS I/SHUT AS | FRQ-509D                | 1    |
| 85-2 | 3015922800 | BOX DISPNS I/SHUT AS | HIPS                    |      |
| 85-3 | 3013704600 | MOTOR I/SHUT AS      | DC12V (SCD)             | 1    |
| 85-4 | 300149CT00 | LEVER DISPNS BOX     | PC                      |      |
| 86   | 300149CT00 | COVER ICE FLAP AS    | FRQ-509D                | 1    |
|      | 30124M1500 |                      | GRILL DISPNS            |      |



Long Handle

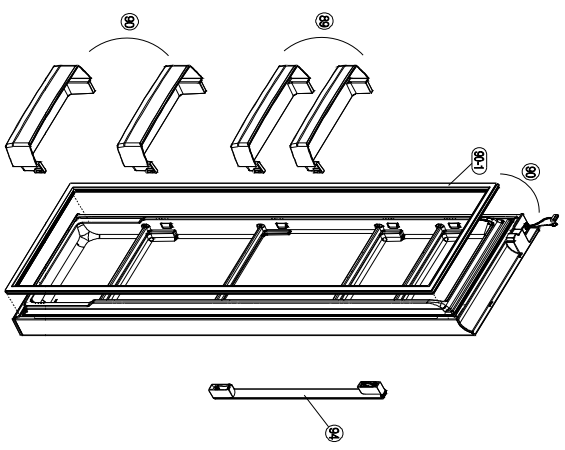


Door & Handle parts code. Middle Handle

| NO   | PART-CODE  | PART NAME      | SPEC.                | Q'ty |
|------|------------|----------------|----------------------|------|
| 83   | 30100CAJ00 | ASSY F DR      | FRQ-501(A), (TSH5E)  | 1    |
|      | 30100CAJ10 |                | FRQ-501(A)D/(SH2L)   |      |
|      | 30100CAJ20 |                | FRQ-501(A)D/(BLH6L)  |      |
| 83-1 | 30100CAJ30 | GASKET F DR AS | FRQ-501(A)D/(TSH5L)  | 1    |
|      | 3012331600 |                | PVC-S+MAGNET         |      |
|      | 3012331620 |                | BLACK PVC-S + MAGNET |      |
| 87   | 3012661400 | HANDLE F DR AS | NORMAL               | 1    |
|      | 3012661410 |                | SPRAY                |      |

Door & Handle parts code. Long Handle

| NO   | PART-CODE  | PART NAME      | SPEC.                | Q'ty |
|------|------------|----------------|----------------------|------|
| 83   | 30100C4E40 | ASSY F DR      | FRQ-505(E), (BLH6L)  | 1    |
|      | 30100C4E50 |                | FRQ-505(E), (SUS430) |      |
| 83-1 | 3012331600 | GASKET F DR AS | PVC-S+MAGNET         | 1    |
|      | 3012331620 |                | BLACK PVC-S + MAGNET |      |
| 87   | 3012653710 | HANDLE F DR AS | LONG HANDLE          | 1    |
|      | 3015320100 |                | SUPPORTER F HNDL *U  |      |

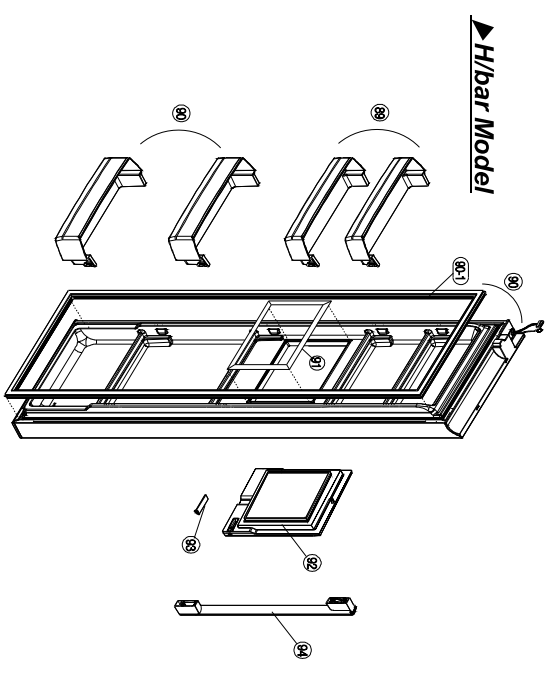


**Pocket & Panel parts code.**

| NO | PART-CODE  | PART NAME   | SPEC.                   | Qty |
|----|------------|-------------|-------------------------|-----|
| 89 | 3019071400 | POCKET R *T | GPPS                    | 2   |
|    | 3019071700 |             | GPPS+METAL DECO(OPTION) |     |
| 90 | 3019071500 | POCKET R *U | GPPS                    | 2   |
|    | 3019071800 |             | GPPS+METAL DECO(OPTION) |     |

**Door & Handle parts code.**

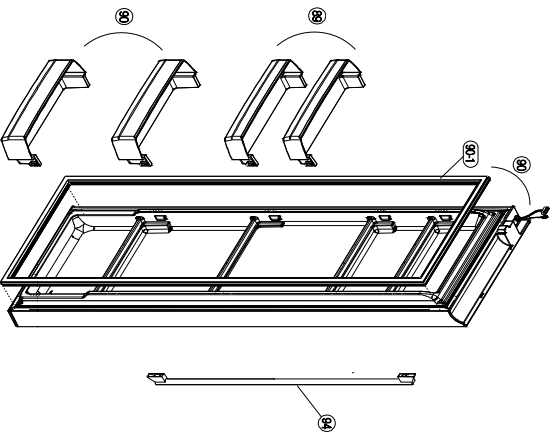
| NO   | PART-CODE   | PART NAME      | SPEC.                | Qty |
|------|-------------|----------------|----------------------|-----|
| 90   | 301000C4G00 | ASSY R DR      | FRQ-503(C), (DWH1C)  | 1   |
|      | 301000C4G10 |                | FRQ-503(C), (TSH5E)  |     |
|      | 301000C4G50 |                | FRQ-503(C), (TSH5L)  |     |
| 90-1 | 3012331700  | GASKET R DR AS | PVC-S+MAGNET         | 1   |
|      | 3012331720  |                | BLACK PVC-S + MAGNET |     |
| 94   | 3012661100  | HANDLE R DR AS | NORMAL               | 1   |
|      | 3012661110  |                | SPRAY                |     |



**Door & Handle parts code. (H/bar Model)**

| NO   | PART-CODE   | PART NAME           | SPEC.                | Qty |
|------|-------------|---------------------|----------------------|-----|
| 90   | 301000C4J00 | ASSY R DR           | FRQ-503(C), (DWH1C)  | 1   |
|      | 301000C4J10 |                     | FRQ-503(C), (BLH6L)  |     |
|      | 301000C4J20 |                     | FRQ-503(C), (TSH5E)  |     |
| 90-1 | 3012331700  | GASKET R DR AS      | PVC-S+MAGNET         | 1   |
|      | 3012331720  |                     | BLACK PVC-S + MAGNET |     |
| 91   | 3012326200  | GASKET H/BAR B AS   | -                    | 1   |
| 92   | 3001707720  | DOOR H/BAR AS       | TITANIUM             | 1   |
|      | 3001707730  |                     | WHITE                |     |
| 93   | 3001432800  | COVER H/BAR HI BRKT | ABS                  | 1   |
| 94   | 3012661100  | HANDLE R DR AS      | FRN-Q19*3            | 1   |
|      | 3012661110  |                     | FRN-Q19*C            |     |

- Some parts can be changed for improving their performance without notice.



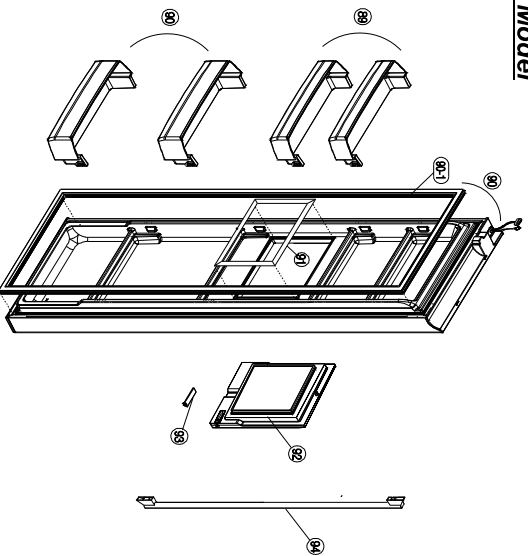
**Pocket & Panel parts code.**

| NO | PART-CODE  | PART NAME   | SPEC.                   | Qty |
|----|------------|-------------|-------------------------|-----|
| 89 | 3019071400 | POCKET R *T | GPPS                    | 2   |
|    | 3019071700 |             | GPPS+METAL DECO(OPTION) |     |
| 90 | 3019071500 | POCKET R *U | GPPS                    | 2   |
|    | 3019071800 |             | GPPS+METAL DECO(OPTION) |     |

**Door & Handle parts code.**

| NO   | PART-CODE   | PART NAME      | SPEC.                  | Qty |
|------|-------------|----------------|------------------------|-----|
| 90   | 30100C5A800 | ASSY R DR      | FRQ-501(A), (DWHIC)    | 1   |
|      | 30100CAK00  |                | FRQ-501(A), (TSHSE)    |     |
|      | 30100CAK10  |                | FRQ-501(A), (TSH5L)    |     |
| 90-1 | 3012331700  | GASKET R DR AS | PVC-S+MAGNET           | 1   |
|      | 3012331720  |                | BLACK PVC-S + MAGNET   |     |
|      | 3012661500  |                | FRN-Q19*1 Only         |     |
| 94   | 3012661500  | HANDLE R DR AS | FRN-Q19*1 Only         | 1   |
|      | 3012661510  |                | FRN-Q19*4 Only_(SPRAY) |     |

**H/bar Model**



**Door & Handle parts code. (H/bar Model)**

| NO   | PART-CODE  | PART NAME           | SPEC.                  | Qty |
|------|------------|---------------------|------------------------|-----|
| 90   | 30100C5A00 | ASSY R DR           | FRQ-501(A), (DWHIC)    | 1   |
|      | 30100CAD00 |                     | FRQ-501(A), (TSHSE)    |     |
| 90-1 | 3012331700 | GASKET R DR AS      | PVC-S+MAGNET           | 1   |
|      | 3012331720 |                     | BLACK PVC-S + MAGNET   |     |
|      | 3012326200 |                     | -                      |     |
| 91   | 3001707720 | DOOR H/BAR AS       | TITANIUM               | 1   |
|      | 3001707730 |                     | WHITE                  |     |
| 93   | 3001432800 | COVER H/BAR HI BRKT | ABS                    | 1   |
|      | 3012661500 |                     | FRN-Q19*1 Only         |     |
| 94   | 3012661510 | HANDLE R DR AS      | FRN-Q19*4 Only_(SPRAY) | 1   |

- Some parts can be chaged for improving their performance without notice.

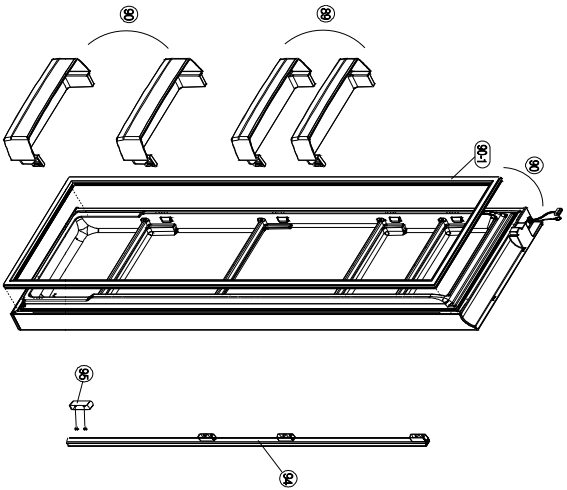


**Pocket & Panel parts code.**

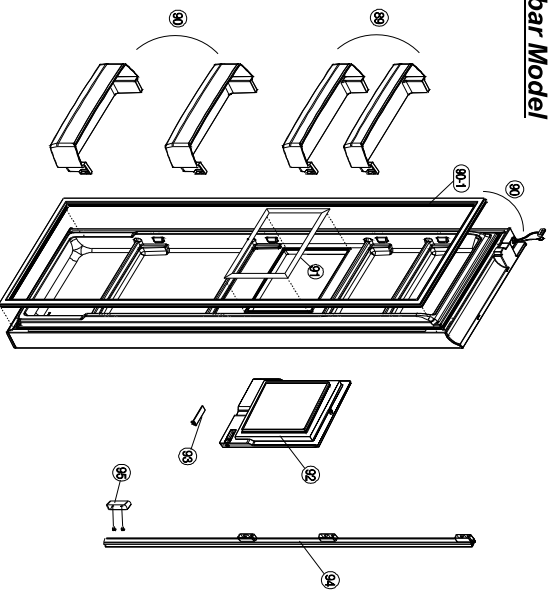
| NO | PART-CODE  | PART NAME   | SPEC.                   | Qty |
|----|------------|-------------|-------------------------|-----|
| 89 | 3019071400 | POCKET R *T | GPPS                    | 2   |
|    | 3019071700 |             | GPPS+METAL DECO(OPTION) |     |
| 90 | 3019071500 | POCKET R *U | GPPS                    | 2   |
|    | 3019071800 |             | GPPS+METAL DECO(OPTION) |     |

**Door & Handle parts code.**

| NO   | PART-CODE   | PART NAME            | SPEC.                | Qty |
|------|-------------|----------------------|----------------------|-----|
| 90   | 301000C4G20 | ASSY R DR            | FRQ-505(E), (FSH2L)  | 1   |
|      | 301000C4G30 |                      | FRQ-501(A), (BLH6L)  |     |
|      | 301000C4G40 |                      | FRQ-501(A), (SUS430) |     |
| 90-1 | 3012331700  | GASKET R DR AS       | PVC-S+MAGNET         | 1   |
|      | 3012331720  |                      | BLACK PVC-S + MAGNET |     |
| 94   | 3012653610  | HANDLE R DR AS       | LONG HANDLE ,X600    | 1   |
| 95   | 3015319700  | SUPPORTER R HND L *U | ABS                  | 1   |



**H/bar Model**



**Door & Handle parts code. (H/bar Model)**

| NO   | PART-CODE   | PART NAME            | SPEC.                | Qty |
|------|-------------|----------------------|----------------------|-----|
| 90   | 301000C4J10 | ASSY R DR            | FRQ-505(E), (FSH2L)  | 1   |
|      | 301000C4J40 |                      | FRQ-505(E), (SUS430) |     |
| 90-1 | 3012331700  | GASKET R DR AS       | PVC-S+MAGNET         | 1   |
|      | 3012331720  |                      | BLACK PVC-S + MAGNET |     |
|      | 3012326200  |                      | GASKET H/BAR B AS    |     |
| 92   | 3001707720  | DOOR H/BAR AS        | TITANIUM             | 1   |
|      | 3001707730  |                      | WHITE                |     |
| 93   | 3001432800  | COVER H/BAR HI BRKT  | ABS                  | 1   |
| 94   | 3012653610  | HANDLE R DR AS       | LONG HANDLE ,X600    | 1   |
| 95   | 3015319700  | SUPPORTER R HND L *U | ABS                  | 1   |

- Some parts can be changed for improving their performance without notice.