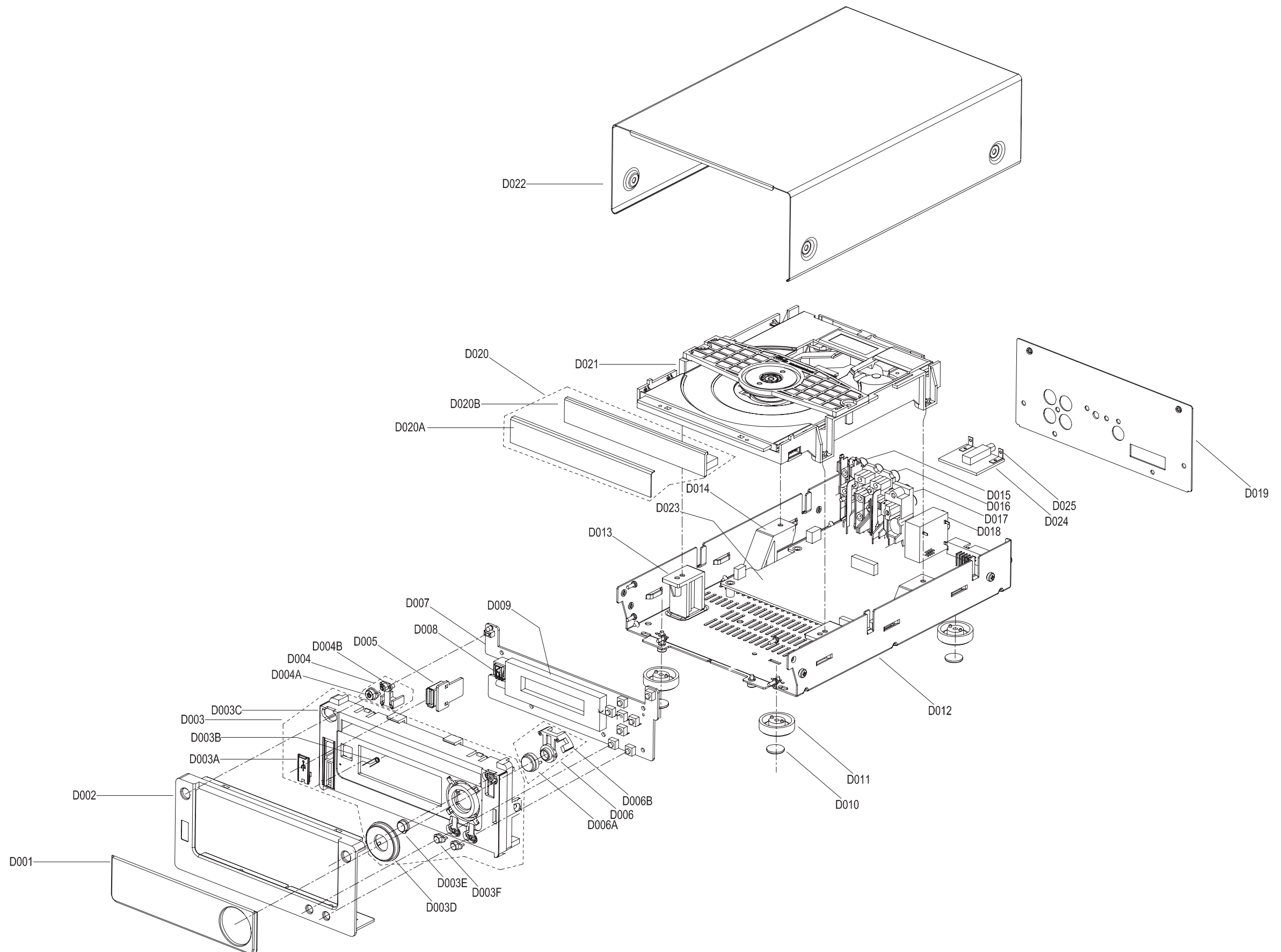
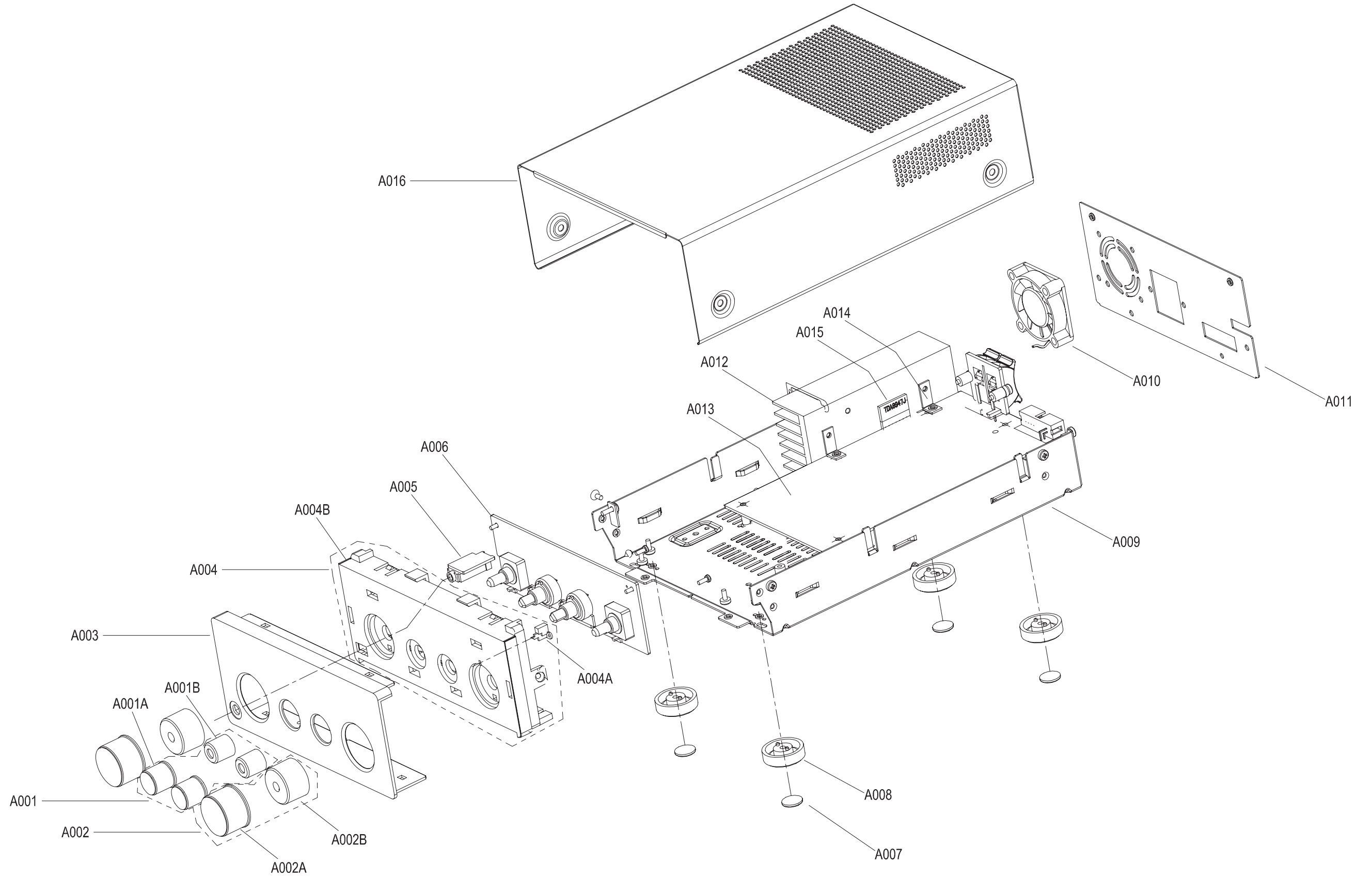


Explode View-CD Part



Explode View-AMP Part



ACCESSORIES PARTS LIST

3A	996510018646	MCM772/12 SPEAKER BOX ASSY(L)
3B	996510018647	MCM772/12 SPEAKER BOX ASSY(R)
3C	996510018452	MCM770/12 MAIN BRACKET ASSY
3D	996510018455	PRC500-49 REMOTE CONTROL
3E	996500041018	FM ANTENNA WIRE 1.5m
3F	996510013407	WIRE 250 2.5/18PX2

MECHANICAL&MISCELLANEOUS PARTS - AMP UNIT

A001	996510015415	DISCRETION KNOB PARTS
A002	996510015414	VOLUME KNOB PARTS
A004	996510015416	AMP PLASTIC CABINET ASSY
A005	996510015413	HEADPHONE BOARD ASSY
A006	996510015412	VOLUME BOARD ASSY
2B	996510018644	POWER CORD 2.15m VH-03
A007	996520033990	RUBBER PAD
A008	996510015779	PLASTIC FOOT
A010	996500041003	MINI FAN RDM4010S DC12V/0.07A
A013	996510018643	POW181F POWER BOARD 50WX2

MECHANICAL&MISCELLANEOUS PARTS - CD UNIT

1B	996510010513	FLAT FLEXIBLE CABLE
D001	996510015410	DVD DISPLAY LENS
D003A	996510015411	USB DOOR ABS SILVER
D010	996520033990	RUBBER PAD
D011	996510015779	PLASTIC FOOT
D013	996510018448	MCD770 FRONT CD BRACKET
D014	996510018449	MCD770 BACK CD BRACKET
D003	996510015408	DVD PLASTIC CABINET ASSY
D004	996510015406	STANDBY BUTTON PARTS
D005	996510018755	USB BOARD ASSY
D006	996510015407	CENTER BUTTON ASSY
D020	996510015409	DVD DOOR ASSY
D021	996510010504	MECHANISM ASSY
D022	996510021719	MCD770 DVD TOP COVER(ALU.)
D023	996510018642	DECODER+MCU PARTS ASSY
D024	996510018641	MCM770/772/906 M-BOY BOARD

ELECTRICAL PARTS - DISPLAY PCB

D008	996510018444	MCD770 IR RECEIVER BRACKET
IC101	996510000500	IC PT6311/SC16311/CD16311
LED101	994000004948	LED LAMP(BLUE) /12
S101	994000004961	IR SENSOR BLACK
SW101	996520033923	TACT SWITCH TS-1307-01 6X6X5
SW102	996520033926	TACT SWITCH HCT-1106W 6X3X4.3
SW103	996520033923	TACT SWITCH TS-1307-01 6X6X5
SW104	996520033923	TACT SWITCH TS-1307-01 6X6X5
SW105	996520033923	TACT SWITCH TS-1307-01 6X6X5
SW106	996520033923	TACT SWITCH TS-1307-01 6X6X5
SW107	996520033923	TACT SWITCH TS-1307-01 6X6X5
SW108	996520033923	TACT SWITCH TS-1307-01 6X6X5
SW109	996520033923	TACT SWITCH TS-1307-01 6X6X5
VFD101	996520033924	VFD DISPLAY NE-770D-1.GB

Note: Only these parts mentioned in the list are normal service parts.

Factory Parts List

LOCATION NO.	12NC	DESCRIPTION
CD		MCM772/12 CD+MP3 UNIT PARTS ASS'Y
D007		MCM772/12 DISPLAY BOARD ASS'Y
R103		CARBON FILM RESISTOR 1K 1/8W J-52
R109		CARBON FILM RESISTOR 10K 1/8W J-52
R111		CARBON FILM RESISTOR 10K 1/8W J-52
R113		CARBON FILM RESISTOR 10K 1/8W J-52
R114		CARBON FILM RESISTOR 10K 1/8W J-52
R105		CARBON FILM RESISTOR 33K 1/8W J-52
R106		CARBON FILM RESISTOR 33K 1/8W J-52
R107		CARBON FILM RESISTOR 33K 1/8W J-52
R108		CARBON FILM RESISTOR 33K 1/8W J-52
R112		CARBON FILM RESISTOR 47 1/8W J-52
R110		CARBON FILM RESISTOR 4.7K 1/8W J-52
R104		CARBON FILM RESISTOR 47K 1/8W J-52
R101		CARBON FILM RESISTOR 5.6 1/2W J-52
R102		CARBON FILM RESISTOR 5.6 1/2W J-52
C102		CHIP CERAMIC CAP.104P 50V K-5
C103		CHIP CERAMIC CAP.104P 50V K-5
C104		CHIP CERAMIC CAP.104P 50V K-5
C101		ELECTROLYTIC CAP.47u 16V L-5 5X5
D701		DIODE 4148-52
D703		DIODE 4148-52
D704		DIODE 4148-52
LED101		LED 3R4CB71D-2B-208 (BLUE)
IC101		IC PT6311/SC16311/CD16311
S101		IR SENSOR SMALL BLACK
SW101		TACT SWITCH TS-1307-01 6X6X5
SW103		TACT SWITCH TS-1307-01 6X6X5
SW104		TACT SWITCH TS-1307-01 6X6X5
SW105		TACT SWITCH TS-1307-01 6X6X5
SW106		TACT SWITCH TS-1307-01 6X6X5
SW107		TACT SWITCH TS-1307-01 6X6X5
SW108		TACT SWITCH TS-1307-01 6X6X5
SW109		TACT SWITCH TS-1307-01 6X6X5
SW102		TACT SWITCH HCT-1106W 6X3X4.3
VFD101		VFD DISPLAY NE-770D-1.GB
JP101-118		JUMPER WIRE Φ 0.6X40mm (375m=1kG)
		VFD DISPLAY PCB 35-MCD772-01A1
		28WIRE 230 2.0/12PX1 2.0/9PX1
		BLACK SPONGE 20X20X2 40°
		MCD770 IR RECEIVER BRACKET(ABS)
D005		MCD772 USB BOARD ASS'Y
J301		USB JACK A-TYPE 4P FEMALE 90 DIP TYPE
		26SHIELDING WIRE160 2.0/4PX1 2.0/4PX1
		USB PCB 35-MCD772-03A1
D024		MCM770/772/906 M-BOY BOARD ASS'Y
CN1		26 WIRE 120 2.0/4PX1
J1		SOCKET ST—3541 4P BLACK
		PCB 35-MCD770-08A1 M-BOY 30X28
D025		NE1503PCB METAL BRACKET 13X13X8X1
		SCREW 3 X 5 PMTT (PLATING)
D021		DA11 MECHANISM ASS'Y
		CD MECHANISM (SANYO DA11VZ)
		VCD MECHANISM BRACKET RT—656YV
		SCREW 2.6 X10 PWBB (Φ 10) (PLATING)
D023		MCM772/12 DECODER+MCU PARTS ASS'Y

Factory Parts List

LOCATION NO.	12NC	DESCRIPTION
DIP42		CPU U252(S3C9228 XYZ-CAN CHANGE) CD DECODER EJS1504CDMP3 IC P74LVC2GU04GW SOT-363(TW) IC TEA5766UK MCM772/12 DECODER+MCU SOFTWARE MCM772/12 DECODER SOFTWARE MCM772/12 CPU SOFTWARE
D004		MCD770 STANDBY BUTTON PARTS
D004A		MCD770 STANDBY BUTTON(ABS)
D004B		MCD770 STANDBY BUTTON BRACKET(ABS)
D006		MCD772 CENTER BUTTON ASS'Y
D006A		MCD772 CENTER BUTTON ABS
D006B		MCD772 CENTER BUTTON BRACKET(ABS)
D003		MCD772 DVD PLASTIC CABINET ASS'Y
D003B		MCD770 USB SPRING ϕ 0.4
D003E		MCD770 OPEN/CLOSE BUTTON(PLATE)
D003F		MCD770 FUNCTION BUTTON
D003C		MCD772 DVD PLASTIC CABINET
D003D		MCD772 DIRECTION BUTTON ABS
D020		MCD770 DVD DOOR PARTS(BLACK)
LOGO		SCUTCHEON PHILIPS 22X4.03
D020A		MCD770 DVD DOOR ALUMINIUM PIECE(BLACK)
D020B		MCD770 DVD DOOR BRACKET(ABS)
CASING1		MCM772/12 CD+MP3 CASING PARTS ASS'Y
D002		MCD772 DVD ALUMINUM PANEL SILVER
D012		MCD770 DVD METAL BOTTOM CHASSIS
D022		MCD770 DVD TOP COVER(ALUMINIUM)
D019		MCD772 DVD BACK METAL PLATE
D001		MCD770 DVD DISPLAY LENS
D003A		MCD770 USB DOOR(ABS)
D013		MCD770 CD FRONT MECHANISM BRACKET
D014		MCD770 CD BACK MECHANISM BRACKET
D011		MCD770 PLASTIC FOOT(HIPS)
D010		MCD770 RUBBER FOOT(ϕ 12X1.5 BLACK) SCREW 3 X 5 FMTT (PLATING) SCREW 2.6 X 8 PA (PLATING) SCREW 3 X 5 BMTT (PLATING) PHILIPS TORX T-10 1.5P 3.0X10.0 AB3 TORX STTP T-10 3.0X6.0 AB3 SCREW 3 X 5 BM (PLATING) SCREW 3 X 10 BA (PLATING) SCREW 3 X 10 PWA (PLATING) TORX T-10 STTT 3.0X6.0 NI TORX T-10 STTB 3.0X6.0 NI FLAT FLEXIBLE CABLE 16PX120X1.0XA 28WIRE 300 2.0/5PX2 28WIRE 150 2.0/6PX2
AMP		MCM772/12 AMP UNIT PARTS ASS'Y
A006		MCD772 VOLUME BOARD ASS'Y
R203		CARBON FILM RESISTOR 10K 1/8W J-52
R204		CARBON FILM RESISTOR 10K 1/8W J-52
R201		CARBON FILM RESISTOR 3.3K 1/8W J-52
R202		CARBON FILM RESISTOR 3.3K 1/8W J-52
R205		CARBON FILM RESISTOR 680 1/8W J-52
C201		CHIP CERAMIC CAP.103P 50V K-5
C202		CHIP CERAMIC CAP.103P 50V K-5

Factory Parts List

LOCATION NO.	12NC	DESCRIPTION
C203		CHIP CERAMIC CAP.103P 50V K-5
C204		CHIP CERAMIC CAP.103P 50V K-5
C205		CHIP CERAMIC CAP.104P 50V K-5
C206		CHIP CERAMIC CAP.104P 50V K-5
C207		ELECTROLYTIC CAP.100u 16V L-5 105°C 6.3X
L201		AXIAL FIXED INDUCTOR 10u 52
D201		DIODE 4148-52
LED201		LED 2X3X4 23004BCH09-357
Q201		TRANSISTOR 8050C-5
EN201		CODER R166ECC-D1-15F-24P-I066
EN202		CODER R161EC-D1-15F-12CC
RV201		RESISTOR 100KB RV161NH-B100K-15F-CC-F
RV202		RESISTOR 100KB RV161NH-B100K-15F-CC-F
		VOLUME PCB 35-MCD772-02A1
JP119		JUMPER WIRE Φ 0.6X40mm (375m=1kG)
JP120		JUMPER WIRE Φ 0.6X40mm (375m=1kG)
		28WIRE CABLE 240 2.0/13PX1 2.0/11PX1
A005		MCD772 HEADPHONE BOARD ASS'Y
J401		HEADPHONE JACK Φ 3.5 TE-03501S-11
		HEADPHONE PCB 35-MCD772-04A1
		26SHIELDING 320 2.0/4PX1 2.0/4PX1
A002		MCD770 ALUMINIUM VOLUME KNOB
A002A		MCD770 VOLUME KNOB COVER(SILVER)
A002B		MCD770 VOLUME KNOB CORE(ABS)
A001		MCD772 DISCRETION KNOB PARTS
A001A		MCD772 DISCRETION KNOB PARTS
A001B		MCD772 DISCRETION KNOB
A004		MCD772 AMP PLASTIC CABINET ASS'Y
A004B		MCD772 AMP PLASTIC CABINET
A004A		MCD772 VOLUME KNOB LIGHT-GUIT PMMA
CASING2		MCM772/12 AMP CASING PARTS ASS'Y
A013		POW181F POWER BOARD ASS'Y 50WX2 2.0
		FERRITE RING JTH28X16X8
		METAL PLATE 19X7X1 Φ 3
A003		MCD772 AMP ALUMINUM PANEL SILVER
A016		MCD770 DVD ALUMINIUM TOP COVER
		MCD772 AMP MATAL PLATE 109X82X3
A009		MCD770 AMP METAL BOTTOM CHASSIS
A011		MCD772 AMP BACK METAL PLATE V1.1
A008		MCD770 PLASTIC FOOT(HIPS)
A007		MCD770 RUBBER FOOT(Φ 12X1.5 BLACK)
		SCREW 2.6 X 8 PA (PLATING)
		SCREW 3 X 8 BA (PLATING)
		SCREW 3 X 5 FMTT (PLATING)
		SCREW 3 X 5 BM (PLATING)
		SCREW 3 X 5 BMTT (PLATING)
		TORX STTP T-10 3.0X6.0 AB3
		PHILIPS TORX T-10 1.5P 3.0X10.0 AB3
		SCREW 3 X 10 PMTT (PLATING)
		TORX T-10 STTB 3.0X15.0 AB3
		SCREW 3 X 9 BMTT (PLATING)
		M3 NUT (PLATING)
		SCREW 3 X 6 BTH(PLATING)
		CABLE TIE 70
		TORX T-10 STTT 3.0X6.0 NI
		TORX T-10 STTB 3.0X6.0 NI

Factory Parts List

LOCATION NO.	12NC	DESCRIPTION
		POWER CORD 2.15m VH-03
		MINI FAN RDM4010S DC12V/0.07A
		FIBRE WASHER Φ 3X8X1
		MCM772/12 SPEAKER BOX ASS'Y(L)
		MCM772 FREQUENCY DIVIDER ASS'Y
R1		CEMENT RESISTOR 4.7 10W J
C1		NON-POLARITG ELEC.CAP.5.6u 100V M SNP
L1		HOLLOW INDUCTOR 0.18mH
L2		SILICON INDUCTOR 0.47mH
R2		CEMENT RESISTOR 4.7 5W J
R3		CEMENT RESISTOR 4.7 5W J
C2		NON-POLARITG ELEC.CAP.6.8U 100V M
		FREQUENCY DIVIDER PCB 35-MCM772-01A1
		CABLE TIE 150
		22 SINGLE WIRE 150 BLACK
		22 SINGLE WIRE 150 RED
		22 SINGLE WIRE 150
		MCM772/12 SPEAKER BOX ASS'Y(L)
		PHILIPS SCUTCHEON 20.3X4.2X1.5 SILVER
		MCM772 GRILLE BRACKET ABS+10%
		NON-POLARITG ELEC.CAP.2.2u 50V M SBP5X11
		SPEAKER SOCKET DDJ-270DH-03 56X56
		ANTIMAGNETIC WOOFER SPEAKER 4"4 Ω 50W Φ 80
		TWEETER Φ 25
		MCD700 GRILL FIXER ϕ 3X11
		MCM772 ALUMINIUM TWEETER CIRCLE
		MCM772 ALUMINIUM WOOFER CIRCLE
		PORT TUBE DJ-214 MCD288
		MCD770 TWEETER BRACKET HIPS BLACK
		RUBBER FOOT(Φ 12X8X7 BLACK)
		MCD700 GRILLE FIXER RUBBER(Φ 6X6BLACK)
		MCM772 WOODEN BOX 190X120X250
		MCM772/12 SPEAKER BLACK LABEL 34X20
		PHILIPS TORX T-10 1.5P 3.0X10.0 AB3
		SCREW 2.6 X 8 BA BLACK
		SCREW 3 X 16 HA (PLATING)
		PLASTIC BAG(PE) 55X39cm PHILIPS
		PAPER Φ 46X Φ 41.5X86
		STENCIL PAPER 28X75cm
		MCM772/12 SPEAKER BOX ASS'Y(R)
		MCM772 FREQUENCY DIVIDER ASS'Y
R1		CEMENT RESISTOR 4.7 10W J
C1		NON-POLARITG ELEC.CAP.5.6u 100V M SNP
L1		HOLLOW INDUCTOR 0.18mH
L2		SILICON INDUCTOR 0.47mH
R2,3		CEMENT RESISTOR 4.7 5W J
C2		NON-POLARITG ELEC.CAP.6.8U 100V M
		FREQUENCY DIVIDER PCB 35-MCM772-01A1
		CABLE TIE 150
		22 SINGLE WIRE 150 BLACK
		22 SINGLE WIRE 150 RED
		22 SINGLE WIRE 150
		MCM772/12 SPEAKER BOX ASS'Y(R)
		PHILIPS SCUTCHEON 20.3X4.2X1.5 SILVER
		MCM772 GRILLE BRACKET ABS+10%
		NON-POLARITG ELEC.CAP.2.2u 50V M SBP5X11

Factory Parts List

LOCATION NO.	12NC	DESCRIPTION
		SPEAKER SOCKET DDJ-270DH-03 56X56
		ANTIMAGNETIC WOOFER SPEAKER 4"4Ω50WΦ80
		TWEETER Φ25
		MCD700 GRILL FIXER φ3X11
		MCM772 ALUMINIUM TWEETER CIRCLE
		MCM772 ALUMINIUM WOOFER CIRCLE
		PORT TUBE DJ-214 MCD288
		MCD770 TWEETER BRACKET HIPS BLACK
		RUBBER FOOT(Φ12X8X7 BLACK)
		MCD700 GRILLE FIXER RUBBER(Φ6X6BLACK)
		MCM772 WOODEN BOX 190X120X250
		MCM772/12 SPEAKER BLACK LABEL 34X20
		PHILIPS TORX T-10 1.5P 3.0X10.0 AB3
		SCREW 2.6 X 8 BA BLACK
		SCREW 3 X 16 HA (PLATING)
		PLASTIC BAG(PE) 55X39cm PHILIPS
		PAPER Φ46XΦ41.5X86
		STENCIL PAPER 28X75cm
		MCM772/12 ACCESSORY PARTS ASS'Y
		WARRANTY CARD(PH 9965 100 15858)
		MCM772/12 QUICK START GUIDE ENG./FRE
		MCM772/12 QUICK START GUIDE
		MCM772/12 QUICK START GUIDE
		MCM772/12 INSTRUCTION MANUAL -A
		MCM772/12 INSTRUCTION MANUAL -B
		PLASTIC BAG(PE) 29X18cm PHILIPS
		SPEAKER WIRE 3m
		RCA JACK FM SINGLE WIRE 1.5m
		FLEXIBLE FLAT WIRE 250 2.5/18PX2
		PLASTIC BAG(PE) 18X10cm PHILIPS
		MCM772/12 PACKING PARTS ASS'Y
		MCM772/12 POLYFOAM
		PLASTIC BAG(PE) 45X25cm PHILIPS
		PLASTIC BAG(PE) 26X7cm(PHILIPS)
		PASSED LABEL Φ13
		LASER WARNING LABEL PH Φ15 BLACK
		DESIGNE LABEL PH 43X11
		MCM772/12 GIFT BOX
		MCM772/12 GIFT BOX LABEL 91X111
		MCM772/12 DVD UNIT MAIN LABEL 52X30
		MCM772/12 AMP MAIN LABEL 52X30
		MCM772/12 POS BILLBOARD
		VIGYAZAT LABEL PH 56X15
		CHRANTE LABEL PH 59X12
		UWAGALABEL PH 36X12
		POZOR LABEL PH 36X12
		MCM770/12 MAIN BRACKET ASS'Y
		PERSPEX BRACKET 253X169X6 PHILIPS 877C
		MCD705 BRACKET FOOT SILVER ABS
		MCD705 BRACKET FOOT COVER SILVER ABS
		MCD705 RUBBER-FOOT Φ4X6
		SCREW 5.8X16FA (PLATING)
		PLASTIC BAG(PE) 33X22cm
		PRC500-49 REMOTE CONTROL ASS'Y MCM770/12
		PRC500-05A REMOTE CONTROL BOARD ASS'Y
		CHIP RESISTOR 0 1/16W J (0805)

Factory Parts List

LOCATION NO.	12NC	DESCRIPTIN
R2		CHIP RESISTOR 680 1/16W J (0805)
C1		ELECTROLYTIC CAP.47u 10V L 4X7
D1		INFRARED-EMITTING DIODE Φ 3
Q1		CHIP TRANSISTOR BC817-25(SOT23)
U1		IC TM58PR11S18C
		REMOTE CONTROL PCB PRC500-A 139X40X1.6
		PRC500-05 SOFTWARE A(V1.0)
		PRC500-49 REMOTE CONTROL CASING PART ASS
		BUTTON BATTERIES 3V CR2025
		CONDUCTIVE RUBBER PRC500-49
		REMOTE SPRING SHEET PCR500
		REMOTE SPRING PCR500 Φ 0.6
		IRON BLOCK PCR500 35X26.6X4
		PRC500 REMOTE CONTROL TOP CABINET
		PRC500 REMOTE BOTTOM CHASSIS ABS10894
		PRC500 REMOTE CONTROL BATTERY COVER
		PRC500 REMOTE CONTROL LENS PC
		PRC500 PLATE RING ABS
		INSULATION PAPER 32X24X0.15
		PRC500-49 REMOTE CONTROL LABEL MCM770
		PLASTIC BAG(PE) 20X6cm
		ADD-ONS INSTRUCTION LABEL PH 38X18