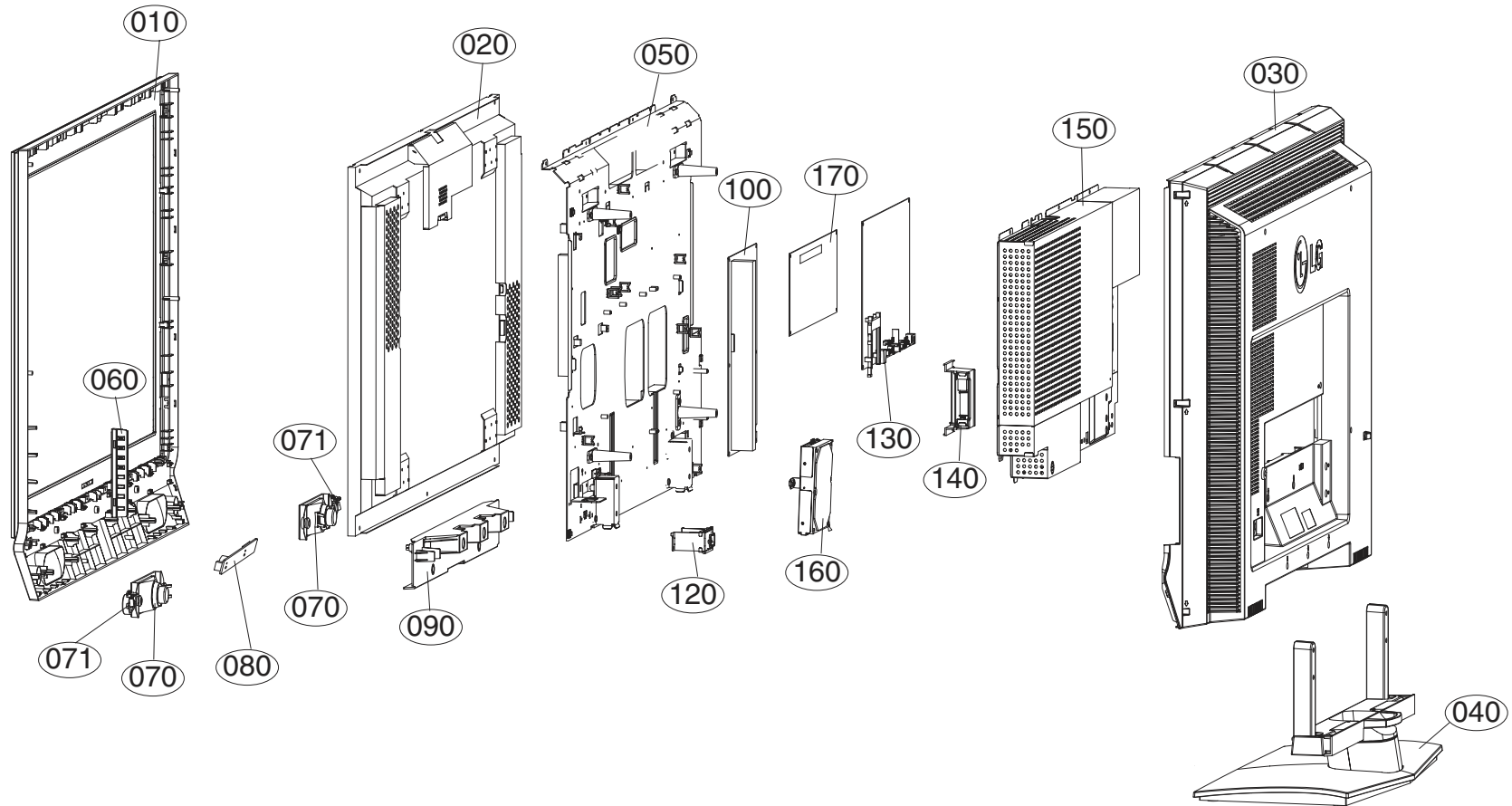



EXPLODED VIEW

- 28 -



EXPLODED VIEW PARTS LIST

* Note: Safety mark 

No.	PART NO.	DESCRIPTION
010	 30919E0047R	Cover Assembly 42LC2RR-ZL 42" CSKD
	ABJ30972102	Cabinet Assembly 42LC2RR-ZL Analog PVR EUROPE 42" C/SKD 51SF
	ABJ30972115	Cabinet Assembly 42LC2RR-ZL H2-DVR 42" PHANTOM FOR LGENT
020	 6304FLP363A	LCD,Module-TFT LC420W02-SLA1 DRIVER 42INCH 1365X768 500CD COLOR 72%
030	 3809900165G	Cover Assembly 42LC2D 2PHONE EC(DIGITAL) C/SKD, SPRAY
	3809900165K	Cover Assembly 42LC2D 2PHONE EC C/SKD, SPRAY
	3809900165W	Cover Assembly 42LC2RR-CL,ZL H2-DVR 42" PHANTOM FOR LGENT"
040	 3043900034A	Base Assembly 42LC2 42LC2 42LC2
	3043900034C	Base Assembly 42LC2 42LC2 FOR USA C/SKD
	3043900034N	Base Assembly STAND 42LC2RR-ZL LA51D LGENT LOCAL
050	49519S0036H	Plate Assembly ASSY FOR 42LC2RR-ZL METAL FRAME ASSY
	49519S0036N	Plate Assembly ASSY 42LC2RR-ZL METAL FRAME ASSY(C/SKD)
	49519S0036V	Plate Assembly ASSY 42LC2RR-ZL FOR LGENT LOCAL
060	68719ST400B	PCB Assembly,Sub SUB T.T MF056L 42LC2RR-ZL CONTROL TOTAL
	68719ST400F	PCB Assembly,Sub SUB T.T MF056L 42LC2RR-ZL CONTROL TOTAL CKD
	68719ST400L	PCB Assembly,Sub SUB T.T MF056L 42LC2RR-ZL CONTROL TOTAL NT SKD
070	EAB30829201	Speaker,Woofer g1560102 ND 15W 8OHM 82DB 100HZ 193 X 57 X 50 LUG MACOM
071	EAB30825601	Speaker,Tweeter D013d02k1400 ND 15W 8OHM 84DB 0HZ 50 X 39.6 X 12.4 LUG
080	68719ST500B	PCB Assembly,Sub SUB T.T MF056L 42LC2RR-ZL A-PVR IR Assy
	68719ST500F	PCB Assembly,Sub SUB T.T MF056L 42LC2RR-ZL A-PVR IR Assy CKD
090	35519K0030B	Cover Assembly 42LC2 STAND 35509K0220B SUPPORT
	35519K0030D	Cover Assembly 42LC2 STAND 35509K0220B SUPPORT C/SKD
	35519K0030E	Cover Assembly 42LC2 ALL 42" LGENT LOCAL
100	 6709900017C	SMPS YP4201-HDMI 90VTO264V 280W 47TO63HZ UL/CSA/TUV/SEMKO 42" LCD
120	31419SNJ81A	Chassis Assembly SUB LA51D AC INLET ASSY
	31419SNJ81C	Chassis Assembly SUB LA51D AC INLET ASSY NT CSKD
130	33139L3023B	Main Total Assembly 42LC2RR-ZL BRAND MF-056M Main total ass'y
	33139L3023F	Main Total Assembly 42LC2RR-ZL BRAND MF-056M Main Total Assy CKD
140	68719ST300B	PCB Assembly,Sub SUB T.T MF056L 42LC2RR-ZL SIDE TOTAL
	68719ST300F	PCB Assembly,Sub SUB T.T MF056L 42LC2RR-ZL SIDE TOTAL CKD
	68719ST300L	PCB Assembly,Sub SUB T.T MF056L 42LC2RR-ZL SIDE TOTAL NT SKD
150	49519K0115U	Plate Assembly SHIELD 42LC2RR-ZL C/SKD
	AGU31070303	Plate Assembly SHIELD 42LC2RR-ZL FOR LGENT LOCAL
160	31419SN200B	Chassis Assembly SUB MF056L 42LC2RR-ZL HDD ASSY
	31419SN200D	Chassis Assembly SUB MF056L 42LC2RR-ZL C/SKD HDD ASSY
170	68719MMV03A	Hand Insert PCB Assembly,Main MAIN2 M.I MF056L 42PC1RR-ZL AEULLHX

REPLACEMENT PARTS LIST

For Capacitor & Resistors, the characters at 2nd and 3rd digit in the P/No. means as follows;	CC, CX, CK, CN, CH : Ceramic CQ : Polyester CE : Electrolytic CF : Fixed Film	RD : Carbon Film RS : Metal Oxide Film RN : Metal Film RH : CHIP, Metal Glazed(Chip) RR : Drawing
---	--	---

DATE: 2006. 09. 13.				
*S	*AL	LOC. NO.	PART NO.	DESCRIPTION / SPECIFICATION
MAIN BOARD				
CAPACITOR				
		C1000	0CE477WF6DC	MVK10TP16VC470M 470u
		C1005	0CE477WF6DC	MVK10TP16VC470M 470u
		C1007	0CE107WF6DC	MVK6.3TP16VC100M 100
		C1009	0CE107WF6DC	MVK6.3TP16VC100M 100
		C1010	0CE107WF6DC	MVK6.3TP16VC100M 100
		C1019	0CE476WF6DC	MVK6.3TP16VC47M 47uF
		C1026	0CE107WF6DC	MVK6.3TP16VC100M 100
		C1030	0CE476WF6DC	MVK6.3TP16VC47M 47uF
		C1043	0CE476WF6DC	MVK6.3TP16VC47M 47uF
		C1046	0CE477WF6DC	MVK10TP16VC470M 470u
		C1047	0CE476WF6DC	MVK6.3TP16VC47M 47uF
		C1050	0CE477WF6DC	MVK10TP16VC470M 470u
		C1051	0CE477WF6DC	MVK10TP16VC470M 470u
		C1064	0CE476WF6DC	MVK6.3TP16VC47M 47uF
		C1065	0CE476WF6DC	MVK6.3TP16VC47M 47uF
		C1066	0CE476WF6DC	MVK6.3TP16VC47M 47uF
		C1067	0CE476WF6DC	MVK6.3TP16VC47M 47uF
		C1068	0CE476WF6DC	MVK6.3TP16VC47M 47uF
		C1069	0CE476WF6DC	MVK6.3TP16VC47M 47uF
		C1071	0CE477WF6DC	MVK10TP16VC470M 470u
		C1073	0CE477WF6DC	MVK10TP16VC470M 470u
		C108	0CE227SF6DC	MVG6.3TP16VC220M 220
		C1082	0CE476WF6DC	MVK6.3TP16VC47M 47uF
		C1083	0CE476WF6DC	MVK6.3TP16VC47M 47uF
		C1084	0CE476WF6DC	MVK6.3TP16VC47M 47uF
		C1085	0CE476WF6DC	MVK6.3TP16VC47M 47uF
		C1087	0CE477WF6DC	MVK10TP16VC470M 470u
		C1098	0CE476WF6DC	MVK6.3TP16VC47M 47uF
		C1099	0CE476WF6DC	MVK6.3TP16VC47M 47uF
		C1105	0CZZTAT006H	RV3-16V470ME55U-R4 4
		C1107	0CE107WF6DC	MVK6.3TP16VC100M 100
		C1108	0CE107WF6DC	MVK6.3TP16VC100M 100
		C1110	0CE477WF6DC	MVK10TP16VC470M 470u
		C1116	0CE477WF6DC	MVK10TP16VC470M 470u
		C1117	0CE227WF6DC	MVK8.0TP16VC220M 220
		C1118	0CE477WF6DC	MVK10TP16VC470M 470u
		C1120	0CE227WF6DC	MVK8.0TP16VC220M 220
		C1126	0CE477WF6DC	MVK10TP16VC470M 470u
		C1135	0CE107WF6DC	MVK6.3TP16VC100M 100
		C1136	0CE107WF6DC	MVK6.3TP16VC100M 100
		C1137	0CE107WF6DC	MVK6.3TP16VC100M 100
		C1138	0CE107WF6DC	MVK6.3TP16VC100M 100
		C1148	0CZZTAT006H	RV3-16V470ME55U-R4 4
		C1149	0CE107WF6DC	MVK6.3TP16VC100M 100
		C1150	0CE107WF6DC	MVK6.3TP16VC100M 100
		C1151	0CE107WF6DC	MVK6.3TP16VC100M 100
		C1154	0CZZTAT006H	RV3-16V470ME55U-R4 4
		C1159	0CE476WF6DC	MVK6.3TP16VC47M 47uF
		C1162	0CE107WF6DC	MVK6.3TP16VC100M 100
		C1165	0CE107WF6DC	MVK6.3TP16VC100M 100
		C1166	0CE107WF6DC	MVK6.3TP16VC100M 100
		C117	0CE227SF6DC	MVG6.3TP16VC220M 220
		C118	0CE106SH6DC	VMV106M025S0ANB010 1
		C1185	0CZZTAT006H	RV3-16V470ME55U-R4 4
		C1186	0CZZTAT006H	RV3-16V470ME55U-R4 4
		C1187	0CZZTAT006H	RV3-16V470ME55U-R4 4
		C1188	0CE107WF6DC	MVK6.3TP16VC100M 100
		C1189	0CE107WF6DC	MVK6.3TP16VC100M 100
		C119	0CE106SH6DC	VMV106M025S0ANB010 1
		C1190	0CE107WF6DC	MVK6.3TP16VC100M 100
		C1191	0CE107WF6DC	MVK6.3TP16VC100M 100
		C1192	0CE107WF6DC	MVK6.3TP16VC100M 100

DATE: 2006. 09. 13.				
*S	*AL	LOC. NO.	PART NO.	DESCRIPTION / SPECIFICATION
		C1193	0CE107WF6DC	MVK6.3TP16VC100M 100
		C1194	0CE477WF6DC	MVK10TP16VC470M 470u
		C1195	0CE107WF6DC	MVK6.3TP16VC100M 100
		C1199	0CE107WF6DC	MVK6.3TP16VC100M 100
		C120	0CE106SH6DC	VMV106M025S0ANB010 1
		C1200	0CE106SH6DC	VMV106M025S0ANB010 1
		C1201	0CE106SH6DC	VMV106M025S0ANB010 1
		C121	0CE106SH6DC	VMV106M025S0ANB010 1
		C122	0CZZTAT006H	RV3-16V470ME55U-R4 4
		C1225	0CE106SH6DC	VMV106M025S0ANB010 1
		C123	0CZZTAT006H	RV3-16V470ME55U-R4 4
		C124	0CZZTAT006H	RV3-16V470ME55U-R4 4
		C1245	0CE106SH6DC	VMV106M025S0ANB010 1
		C1247	0CZZTAT006H	RV3-16V470ME55U-R4 4
		C125	0CE476XFKDC	MVK6.3TP16VCBP47M 47
		C129	0CE227SF6DC	MVG6.3TP16VC220M 220
		C130	0CE227SF6DC	MVG6.3TP16VC220M 220
		C131	0CZZTAT006H	RV3-16V470ME55U-R4 4
		C135	0CZZTAT006H	RV3-16V470ME55U-R4 4
		C137	0CE476XFKDC	MVK6.3TP16VCBP47M 47
		C1414	0CE475SK6DC	VMV475M050S0ANB010 4
		C1415	0CE475SK6DC	VMV475M050S0ANB010 4
		C1475	0CE226WF6DC	MVK5.0TP16VC22M 22uF
		C1480	0CZZTAT006H	RV3-16V470ME55U-R4 4
		C1481	0CZZTAT006H	RV3-16V470ME55U-R4 4
		C1482	0CZZTAT006H	RV3-16V470ME55U-R4 4
		C1601	0CE476WF6DC	MVK6.3TP16VC47M 47uF
		C1603	0CE476WF6DC	MVK6.3TP16VC47M 47uF
		C1604	0CZZTAT006H	RV3-16V470ME55U-R4 4
		C1608	0CE107WF6DC	MVK6.3TP16VC100M 100
		C174	0CE476XFKDC	MVK6.3TP16VCBP47M 47
		C175	0CE476XFKDC	MVK6.3TP16VCBP47M 47
		C180	0CE107WF6DC	MVK6.3TP16VC100M 100
		C181	0CE476XFKDC	MVK6.3TP16VCBP47M 47
		C182	0CE476XFKDC	MVK6.3TP16VCBP47M 47
		C1901	0CE476WF6DC	MVK6.3TP16VC47M 47uF
		C1903	0CE107WF6DC	MVK6.3TP16VC100M 100
		C1904	0CE107WF6DC	MVK6.3TP16VC100M 100
		C1905	0CE107WF6DC	MVK6.3TP16VC100M 100
		C1906	0CE107WF6DC	MVK6.3TP16VC100M 100
		C1907	0CE107WF6DC	MVK6.3TP16VC100M 100
		C1908	0CE476WF6DC	MVK6.3TP16VC47M 47uF
		C1909	0CE476WF6DC	MVK6.3TP16VC47M 47uF
		C1910	0CE476WF6DC	MVK6.3TP16VC47M 47uF
		C1911	0CE476WK6DC	MVK8.0TP50VC47M 47uF
		C1923	0CE337WJ6D8	MVK12.5TP35VC330M 33
		C1924	0CE337WJ6D8	MVK12.5TP35VC330M 33
		C1925	0CE337WJ6D8	MVK12.5TP35VC330M 33
		C203	0CE475WK6DC	MVK5.0TP50VC4.7M 4.7
		C204	0CE477WF6DC	MVK10TP16VC470M 470u
		C208	0CE477WF6DC	MVK10TP16VC470M 470u
		C210	0CE475WK6DC	MVK5.0TP50VC4.7M 4.7
		C211	0CE477WF6DC	MVK10TP16VC470M 470u
		C214	0CE106WFKDC	MVK4.0TP16VC10M 10uF
		C215	0CE475WK6DC	MVK5.0TP50VC4.7M 4.7
		C221	0CE477WF6DC	MVK10TP16VC470M 470u
		C238	0CE107WF6DC	MVK6.3TP16VC100M 100
		C241	0CE476WK6DC	MVK8.0TP50VC47M 47uF
		C243	0CE475WK6DC	MVK5.0TP50VC4.7M 4.7
		C245	0CE107WF6DC	MVK6.3TP16VC100M 100
		C246	0CE107WF6DC	MVK6.3TP16VC100M 100
		C300	0CE107WF6DC	MVK6.3TP16VC100M 100
		C304	0CE226SF6DC	VMV226M016S0ANB010 2
		C305	0CE107WF6DC	MVK6.3TP16VC100M 100
		C307	0CZZTAT006H	RV3-16V470ME55U-R4 4

DATE: 2006. 09. 13.				
*S	*AL	LOC. NO.	PART NO.	DESCRIPTION / SPECIFICATION
		C340	0CZZTAT006H	RV3-16V470ME55U-R4 4
		C342	0CE105WK6DC	MVK4.0TP50VC1M 1uF 2
		C347	0CE105SK6DC	VMV105M050S0ANB010 1
		C402	0CE476WF6DC	MVK6.3TP16VC47M 47uF
		C403	0CE226WF6DC	MVK5.0TP16VC22M 22uF
		C411	0CZZTAT006H	RV3-16V470ME55U-R4 4
		C412	0CE226SF6DC	VMV226M016S0ANB010 2
		C413	0CE335WK6D8	MVK4.0TP50VC3.3M 3.3
		C425	0CE226WF6DC	MVK5.0TP16VC22M 22uF
		C428	0CE335SK6DC	VMV335M050S0ANB010 3
		C457	0CE335WK6D8	MVK4.0TP50VC3.3M 3.3
		C462	0CE107WF6DC	MVK6.3TP16VC100M 100
		C463	0CE106WH6DC	MVK5.0TP25VC10M 10uF
		C464	0CE106WH6DC	MVK5.0TP25VC10M 10uF
		C465	0CE335SK6DC	VMV335M050S0ANB010 3
		C468	0CE107WF6DC	MVK6.3TP16VC100M 100
		C469	0CE106WH6DC	MVK5.0TP25VC10M 10uF
		C470	0CE106SH6DC	VMV106M025S0ANB010 1
		C474	0CE475SK6DC	VMV475M050S0ANB010 4
		C475	0CE475SK6DC	VMV475M050S0ANB010 4
		C477	0CE226SF6DC	VMV226M016S0ANB010 2
		C481	0CE475WK6DC	MVK5.0TP50VC4.7M 4.7
		C482	0CE475WK6DC	MVK5.0TP50VC4.7M 4.7
		C527	0CZZTAT006H	RV3-16V470ME55U-R4 4
		C610	0CE107WF6DC	MVK6.3TP16VC100M 100
		C622	0CE476WF6DC	MVK6.3TP16VC47M 47uF
		C626	0CE107WF6DC	MVK6.3TP16VC100M 100
		C728	0CE226SF6DC	VMV226M016S0ANB010 2
		C729	0CE226SF6DC	VMV226M016S0ANB010 2
		C730	0CE226SF6DC	VMV226M016S0ANB010 2
		C731	0CE226SF6DC	VMV226M016S0ANB010 2
		C735	0CE226WF6DC	MVK5.0TP16VC22M 22uF
		C737	0CE226SF6DC	VMV226M016S0ANB010 2
		C739	0CE226SF6DC	VMV226M016S0ANB010 2
		C745	0CE226SF6DC	VMV226M016S0ANB010 2
		C750	0CE226SF6DC	VMV226M016S0ANB010 2
		C752	0CE226SF6DC	VMV226M016S0ANB010 2
		C760	0CE226SF6DC	VMV226M016S0ANB010 2
		C762	0CE226SF6DC	VMV226M016S0ANB010 2
		C764	0CE226WF6DC	MVK5.0TP16VC22M 22uF
		C767	0CE226SF6DC	VMV226M016S0ANB010 2
		C771	0CE226SF6DC	VMV226M016S0ANB010 2
		C802	0CE226SF6DC	VMV226M016S0ANB010 2
		C832	0CE226SF6DC	VMV226M016S0ANB010 2
		C833	0CE226WF6DC	MVK5.0TP16VC22M 22uF
		C834	0CE226SF6DC	VMV226M016S0ANB010 2
		C835	0CE226SF6DC	VMV226M016S0ANB010 2
		C836	0CE226SF6DC	VMV226M016S0ANB010 2
		C837	0CE226WF6DC	MVK5.0TP16VC22M 22uF
		C838	0CE226SF6DC	VMV226M016S0ANB010 2
		C839	0CE226SF6DC	VMV226M016S0ANB010 2
		C840	0CE226SF6DC	VMV226M016S0ANB010 2
		C851	0CE226WF6DC	MVK5.0TP16VC22M 22uF
		C853	0CE226SF6DC	VMV226M016S0ANB010 2
		C884	0CE226SF6DC	VMV226M016S0ANB010 2
		C896	0CE226WF6DC	MVK5.0TP16VC22M 22uF
		C901	0CE226SF6DC	VMV226M016S0ANB010 2
		C904	0CE226WF6DC	MVK5.0TP16VC22M 22uF
		C905	0CE226WF6DC	MVK5.0TP16VC22M 22uF
		C930	0CE226WF6DC	MVK5.0TP16VC22M 22uF
		C950	0CE226SF6DC	VMV226M016S0ANB010 2
		C1115	0CE4772J618	KMF5.0TP35VB470M 470
		C1119	0CE4772J618	KMF5.0TP35VB470M 470
		C100	0CH5010K116	0805N1R0D500LT 1pF 0
		C1001	0CK104CK56A	0603B104K500CT 100nF
		C1002	0CK474CH94A	0603F474Z250CT 470nF
		C1003	0CK474CH94A	0603F474Z250CT 470nF
		C1004	0CK103CK51A	0603B103K500CT 10nF
		C1006	0CK104CK56A	0603B104K500CT 100nF
		C1008	0CK104CK56A	0603B104K500CT 100nF
		C101	0CC050CK11A	C1608C0G1H050DT 5pF
		C1011	0CK104CK56A	0603B104K500CT 100nF
		C1012	0CK104CK56A	0603B104K500CT 100nF
		C1013	0CK104CK56A	0603B104K500CT 100nF

DATE: 2006. 09. 13.				
*S	*AL	LOC. NO.	PART NO.	DESCRIPTION / SPECIFICATION
		C1014	0CK104CK56A	0603B104K500CT 100nF
		C1015	0CK103CK51A	0603B103K500CT 10nF
		C1016	0CK103CK51A	0603B103K500CT 10nF
		C1017	0CK103CK51A	0603B103K500CT 10nF
		C1018	0CK104CK56A	0603B104K500CT 100nF
		C102	0CH5010K116	0805N1R0D500LT 1pF 0
		C1023	0CK104CK56A	0603B104K500CT 100nF
		C1024	0CK104CK56A	0603B104K500CT 100nF
		C1025	0CK103CK51A	0603B103K500CT 10nF
		C1029	0CK104CK56A	0603B104K500CT 100nF
		C103	0CC050CK11A	C1608C0G1H050DT 5pF
		C1035	0CK104CK56A	0603B104K500CT 100nF
		C104	0CC050CK11A	C1608C0G1H050DT 5pF
		C1040	0CK103CK51A	0603B103K500CT 10nF
		C1044	0CK104CK56A	0603B104K500CT 100nF
		C1045	0CK104CK56A	0603B104K500CT 100nF
		C1048	0CK104CK56A	0603B104K500CT 100nF
		C1049	0CK104CK56A	0603B104K500CT 100nF
		C105	0CC050CK11A	C1608C0G1H050DT 5pF
		C1052	0CK104CK56A	0603B104K500CT 100nF
		C1053	0CK103CK51A	0603B103K500CT 10nF
		C1054	0CK104CK56A	0603B104K500CT 100nF
		C1055	0CK104CK56A	0603B104K500CT 100nF
		C1056	0CK104CK56A	0603B104K500CT 100nF
		C1057	0CK104CK56A	0603B104K500CT 100nF
		C1058	0CK104CK56A	0603B104K500CT 100nF
		C1059	0CK103CK51A	0603B103K500CT 10nF
		C106	0CC050CK11A	C1608C0G1H050DT 5pF
		C1060	0CK103CK51A	0603B103K500CT 10nF
		C1061	0CK103CK51A	0603B103K500CT 10nF
		C1062	0CK103CK51A	0603B103K500CT 10nF
		C1063	0CK103CK51A	0603B103K500CT 10nF
		C107	0CC050CK11A	C1608C0G1H050DT 5pF
		C1070	0CK104CK56A	0603B104K500CT 100nF
		C1072	0CK104CK56A	0603B104K500CT 100nF
		C1074	0CK104CK56A	0603B104K500CT 100nF
		C1075	0CK104CK56A	0603B104K500CT 100nF
		C1076	0CK104CK56A	0603B104K500CT 100nF
		C1077	0CK104CK56A	0603B104K500CT 100nF
		C1078	0CK103CK51A	0603B103K500CT 10nF
		C1079	0CK103CK51A	0603B103K500CT 10nF
		C1080	0CK103CK51A	0603B103K500CT 10nF
		C1081	0CK103CK51A	0603B103K500CT 10nF
		C1086	0CK104CK56A	0603B104K500CT 100nF
		C1088	0CK104CK56A	0603B104K500CT 100nF
		C1089	0CK104CK56A	0603B104K500CT 100nF
		C109	0CK103CK56A	0603B103K500CT 10nF
		C1090	0CK104CK56A	0603B104K500CT 100nF
		C1091	0CK104CK56A	0603B104K500CT 100nF
		C1092	0CK104CK56A	0603B104K500CT 100nF
		C1093	0CK103CK51A	0603B103K500CT 10nF
		C1094	0CK103CK51A	0603B103K500CT 10nF
		C1095	0CK103CK51A	0603B103K500CT 10nF
		C1096	0CK103CK51A	0603B103K500CT 10nF
		C1097	0CK103CK51A	0603B103K500CT 10nF
		C110	0CK102CK56A	0603B102K500CT 1nF 1
		C1100	0CK104CK56A	0603B104K500CT 100nF
		C1101	0CK103CK51A	0603B103K500CT 10nF
		C1104	0CK103CK51A	0603B103K500CT 10nF
		C1106	0CK104CK56A	0603B104K500CT 100nF
		C1109	0CK104CK56A	0603B104K500CT 100nF
		C111	0CK103CK56A	0603B103K500CT 10nF
		C1111	0CK104CK56A	0603B104K500CT 100nF
		C1112	0CK104CK56A	0603B104K500CT 100nF
		C1113	0CK104CK56A	0603B104K500CT 100nF
		C1114	0CK104CK56A	0603B104K500CT 100nF
		C112	0CK102CK56A	0603B102K500CT 1nF 1
		C1121	0CK104CK56A	0603B104K500CT 100nF
		C1122	0CK104CK56A	0603B104K500CT 100nF
		C1123	0CK104CK56A	0603B104K500CT 100nF
		C1124	0CK104CK56A	0603B104K500CT 100nF
		C1125	0CK104CK56A	0603B104K500CT 100nF
		C1127	0CK104CK56A	0603B104K500CT 100nF
		C1128	0CK104CK56A	0603B104K500CT 100nF

DATE: 2006. 09. 13.				
*S	*AL	LOC. NO.	PART NO.	DESCRIPTION / SPECIFICATION
		C1129	0CK104CK56A	0603B104K500CT 100nF
		C113	0CK103CK56A	0603B103K500CT 10nF
		C1130	0CK104CK56A	0603B104K500CT 100nF
		C1131	0CK103CK51A	0603B103K500CT 10nF
		C1132	0CK103CK51A	0603B103K500CT 10nF
		C1133	0CK103CK51A	0603B103K500CT 10nF
		C1134	0CK103CK51A	0603B103K500CT 10nF
		C1139	0CK104CK56A	0603B104K500CT 100nF
		C114	0CK102CK56A	0603B102K500CT 1nF 1
		C1140	0CK104CK56A	0603B104K500CT 100nF
		C1141	0CK104CK56A	0603B104K500CT 100nF
		C1142	0CK104CK56A	0603B104K500CT 100nF
		C1143	0CK104CK56A	0603B104K500CT 100nF
		C1144	0CK103CK51A	0603B103K500CT 10nF
		C1145	0CK103CK51A	0603B103K500CT 10nF
		C1146	0CK103CK51A	0603B103K500CT 10nF
		C1147	0CK103CK51A	0603B103K500CT 10nF
		C115	0CK103CK56A	0603B103K500CT 10nF
		C1153	0CK104CK56A	0603B104K500CT 100nF
		C1155	0CK104CK56A	0603B104K500CT 100nF
		C1157	0CK103CK51A	0603B103K500CT 10nF
		C116	0CK102CK56A	0603B102K500CT 1nF 1
		C1161	0CK104CK56A	0603B104K500CT 100nF
		C1163	0CK104CK56A	0603B104K500CT 100nF
		C1164	0CK104CK56A	0603B104K500CT 100nF
		C1167	0CK104CK56A	0603B104K500CT 100nF
		C1168	0CK104CK56A	0603B104K500CT 100nF
		C1169	0CK104CK56A	0603B104K500CT 100nF
		C1170	0CK104CK56A	0603B104K500CT 100nF
		C1171	0CK104CK56A	0603B104K500CT 100nF
		C1172	0CK104CK56A	0603B104K500CT 100nF
		C1173	0CK104CK56A	0603B104K500CT 100nF
		C1174	0CK104CK56A	0603B104K500CT 100nF
		C1175	0CK104CK56A	0603B104K500CT 100nF
		C1176	0CK103CK51A	0603B103K500CT 10nF
		C1177	0CK103CK51A	0603B103K500CT 10nF
		C1178	0CK103CK51A	0603B103K500CT 10nF
		C1179	0CK103CK51A	0603B103K500CT 10nF
		C1180	0CK103CK51A	0603B103K500CT 10nF
		C1181	0CK103CK51A	0603B103K500CT 10nF
		C1182	0CK103CK51A	0603B103K500CT 10nF
		C1183	0CK103CK51A	0603B103K500CT 10nF
		C1184	0CK103CK51A	0603B103K500CT 10nF
		C1196	0CK104CK56A	0603B104K500CT 100nF
		C1197	0CK104CK56A	0603B104K500CT 100nF
		C1198	0CK103CK51A	0603B103K500CT 10nF
		C1202	0CK104CK56A	0603B104K500CT 100nF
		C1203	0CK104CK56A	0603B104K500CT 100nF
		C1204	0CK104CK56A	0603B104K500CT 100nF
		C1205	0CC102CK41A	C1608C0G1H102JT 1nF
		C1206	0CK102CK56A	0603B102K500CT 1nF 1
		C1207	0CK102CK56A	0603B102K500CT 1nF 1
		C1208	0CK102CK56A	0603B102K500CT 1nF 1
		C1209	0CK104CK56A	0603B104K500CT 100nF
		C1210	0CK102CK56A	0603B102K500CT 1nF 1
		C1211	0CK102CK56A	0603B102K500CT 1nF 1
		C1212	0CK102CK56A	0603B102K500CT 1nF 1
		C1213	0CK104CK56A	0603B104K500CT 100nF
		C1214	0CK104CK56A	0603B104K500CT 100nF
		C1215	0CK104CK56A	0603B104K500CT 100nF
		C1216	0CK104CK56A	0603B104K500CT 100nF
		C1217	0CK102CK56A	0603B102K500CT 1nF 1
		C1218	0CK102CK56A	0603B102K500CT 1nF 1
		C1219	0CK102CK56A	0603B102K500CT 1nF 1
		C1220	0CK102CK56A	0603B102K500CT 1nF 1
		C1221	0CC180CK41A	C1608C0G1H180JT 18pF
		C1222	0CK102CK56A	0603B102K500CT 1nF 1
		C1223	0CC180CK41A	C1608C0G1H180JT 18pF
		C1224	0CK102CK56A	0603B102K500CT 1nF 1
		C1226	0CK103CK56A	0603B103K500CT 10nF
		C1227	0CK103CK56A	0603B103K500CT 10nF
		C1228	0CK104CK56A	0603B104K500CT 100nF
		C1229	0CK104CK56A	0603B104K500CT 100nF
		C1230	0CK105CF94A	0603F105Z160CT 1uF -

DATE: 2006. 09. 13.				
*S	*AL	LOC. NO.	PART NO.	DESCRIPTION / SPECIFICATION
		C1231	0CK105CF94A	0603F105Z160CT 1uF -
		C1232	0CK104CK56A	0603B104K500CT 100nF
		C1233	0CK104CK56A	0603B104K500CT 100nF
		C1234	0CK104CK56A	0603B104K500CT 100nF
		C1235	0CK104CK56A	0603B104K500CT 100nF
		C1236	0CK102CK56A	0603B102K500CT 1nF 1
		C1237	0CK102CK56A	0603B102K500CT 1nF 1
		C1238	0CK102CK56A	0603B102K500CT 1nF 1
		C1239	0CK102CK56A	0603B102K500CT 1nF 1
		C1240	0CK102CK56A	0603B102K500CT 1nF 1
		C1241	0CK102CK56A	0603B102K500CT 1nF 1
		C1242	0CK102CK56A	0603B102K500CT 1nF 1
		C1243	0CK102CK56A	0603B102K500CT 1nF 1
		C1244	0CK102CK56A	0603B102K500CT 1nF 1
		C1246	0CK104CK56A	0603B104K500CT 100nF
		C1253	0CC120CK41A	C1608C0G1H120JT 12pF
		C1254	0CC120CK41A	C1608C0G1H120JT 12pF
		C1256	0CK104CK56A	0603B104K500CT 100nF
		C1257	0CK104CK56A	0603B104K500CT 100nF
		C1258	0CK104CK56A	0603B104K500CT 100nF
		C132	0CK103CK56A	0603B103K500CT 10nF
		C133	0CK104CK56A	0603B104K500CT 100nF
		C134	0CK104CK56A	0603B104K500CT 100nF
		C136	0CK104CK56A	0603B104K500CT 100nF
		C138	0CK104CK56A	0603B104K500CT 100nF
		C140	0CK103CK56A	0603B103K500CT 10nF
		C1404	0CK104CK56A	0603B104K500CT 100nF
		C1412	0CK682CK51A	C1608Y5P1H682KT 6.8n
		C1413	0CK682CK51A	C1608Y5P1H682KT 6.8n
		C1431	0CK471CK56A	C1608X7R1H471KT 470p
		C1432	0CK471CK56A	C1608X7R1H471KT 470p
		C144	0CK103CK56A	0603B103K500CT 10nF
		C1442	0CC102CK41A	C1608C0G1H102JT 1nF
		C1443	0CC102CK41A	C1608C0G1H102JT 1nF
		C1444	0CC102CK41A	C1608C0G1H102JT 1nF
		C1445	0CC102CK41A	C1608C0G1H102JT 1nF
		C1446	0CC102CK41A	C1608C0G1H102JT 1nF
		C1447	0CC102CK41A	C1608C0G1H102JT 1nF
		C1448	0CK474EK66A	C3216X7R1H474MT 470n
		C1449	0CK474EK66A	C3216X7R1H474MT 470n
		C145	0CK104CK56A	0603B104K500CT 100nF
		C1450	0CK104CK56A	0603B104K500CT 100nF
		C1451	0CK104CK56A	0603B104K500CT 100nF
		C1452	0CK104CK56A	0603B104K500CT 100nF
		C1453	0CK104CK56A	0603B104K500CT 100nF
		C1454	0CK104CK56A	0603B104K500CT 100nF
		C1455	0CK104CK56A	0603B104K500CT 100nF
		C1456	0CK104CK56A	0603B104K500CT 100nF
		C1457	0CK104CK56A	0603B104K500CT 100nF
		C1458	0CC331CK41A	C1608C0G1H331JT 330p
		C1459	0CK104CK56A	0603B104K500CT 100nF
		C1460	0CK105CD56A	C1608X7R1A105KT 1uF
		C1461	0CK104CK56A	0603B104K500CT 100nF
		C1462	0CK105CD56A	C1608X7R1A105KT 1uF
		C1463	0CK104CK56A	0603B104K500CT 100nF
		C1464	0CK104CK56A	0603B104K500CT 100nF
		C1465	0CK104CK56A	0603B104K500CT 100nF
		C1466	0CC102CK41A	C1608C0G1H102JT 1nF
		C1467	0CK104CK56A	0603B104K500CT 100nF
		C1468	0CK104CK56A	0603B104K500CT 100nF
		C1469	0CK104CK56A	0603B104K500CT 100nF
		C1470	0CC221CK41A	C1608C0G1H221JT 220p
		C1471	0CH2122K516	0805B122K500CT 1.2nF
		C1472	0CK104CK56A	0603B104K500CT 100nF
		C1473	0CC331CK41A	C1608C0G1H331JT 330p
		C1476	0CC560CK41A	C1608C0G1H560JT 56pF
		C1477	0CC560CK41A	C1608C0G1H560JT 56pF
		C1483	0CH5010K116	0805N1R0D500LT 1pF 0
		C1484	0CH5010K116	0805N1R0D500LT 1pF 0
		C1485	0CH5010K116	0805N1R0D500LT 1pF 0
		C151	0CC221CK41A	C1608C0G1H221JT 220p
		C152	0CC331CK41A	C1608C0G1H331JT 330p
		C153	0CC221CK41A	C1608C0G1H221JT 220p
		C154	0CC331CK41A	C1608C0G1H331JT 330p

DATE: 2006. 09. 13.				
*S	*AL	LOC. NO.	PART NO.	DESCRIPTION / SPECIFICATION
		C155	0CC221CK41A	C1608C0G1H221JT 220p
		C156	0CC331CK41A	C1608C0G1H331JT 330p
		C1600	0CK104CK56A	0603B104K500CT 100nF
		C1602	0CK104CK56A	0603B104K500CT 100nF
		C1605	0CK104CK56A	0603B104K500CT 100nF
		C1606	0CK104CK56A	0603B104K500CT 100nF
		C1607	0CK103CK51A	0603B103K500CT 10nF
		C161	0CK104CK56A	0603B104K500CT 100nF
		C162	0CK104CK56A	0603B104K500CT 100nF
		C165	0CK104CK56A	0603B104K500CT 100nF
		C166	0CK104CK56A	0603B104K500CT 100nF
		C167	0CC150CK41A	C1608C0G1H150JT 15pF
		C168	0CC150CK41A	C1608C0G1H150JT 15pF
		C171	0CC050CK11A	C1608C0G1H050DT 5pF
		C172	0CH5010K116	0805N1R0D500LT 1pF 0
		C173	0CC050CK11A	C1608C0G1H050DT 5pF
		C176	0CK104CK56A	0603B104K500CT 100nF
		C177	0CK104CK56A	0603B104K500CT 100nF
		C178	0CC470CK41A	C1608C0G1H470JT 47pF
		C1800	0CK104CK56A	0603B104K500CT 100nF
		C1801	0CK104CK56A	0603B104K500CT 100nF
		C1802	0CK104CK56A	0603B104K500CT 100nF
		C1803	0CK104CK56A	0603B104K500CT 100nF
		C1804	0CK104CK56A	0603B104K500CT 100nF
		C1805	0CK104CK56A	0603B104K500CT 100nF
		C1806	0CK104CK56A	0603B104K500CT 100nF
		C1807	0CK104CK56A	0603B104K500CT 100nF
		C1808	0CK104CK56A	0603B104K500CT 100nF
		C1824	0CK104CK56A	0603B104K500CT 100nF
		C1831	0CK104CK56A	0603B104K500CT 100nF
		C1833	0CK104CK56A	0603B104K500CT 100nF
		C1835	0CK104CK56A	0603B104K500CT 100nF
		C184	0CK104CK56A	0603B104K500CT 100nF
		C185	0CK104CK56A	0603B104K500CT 100nF
		C186	0CK102CK56A	0603B102K500CT 1nF 1
		C1860	0CK104CK56A	0603B104K500CT 100nF
		C1865	0CK104CK56A	0603B104K500CT 100nF
		C1867	0CC101CK41A	C1608C0G1H101JT 100p
		C187	0CK102CK56A	0603B102K500CT 1nF 1
		C1900	0CK103CK51A	0603B103K500CT 10nF
		C1902	0CK103CK51A	0603B103K500CT 10nF
		C1912	0CK104CK56A	0603B104K500CT 100nF
		C1914	0CK104CK56A	0603B104K500CT 100nF
		C1915	0CK104CK56A	0603B104K500CT 100nF
		C1919	0CK104CK56A	0603B104K500CT 100nF
		C1920	0CK104CK56A	0603B104K500CT 100nF
		C1926	0CK104CK56A	0603B104K500CT 100nF
		C1927	0CK104CF56A	0603B104K160CT 100nF
		C1928	0CK104CK56A	0603B104K500CT 100nF
		C1929	0CK105CD56A	C1608X7R1A105KT 1uF
		C1931	0CK104CK56A	0603B104K500CT 100nF
		C1932	0CK104CK56A	0603B104K500CT 100nF
		C1933	0CK104CK56A	0603B104K500CT 100nF
		C1934	0CK104CK56A	0603B104K500CT 100nF
		C1935	0CK104CK56A	0603B104K500CT 100nF
		C1936	0CK105CD56A	C1608X7R1A105KT 1uF
		C200	0CK103CK56A	0603B103K500CT 10nF
		C201	0CK103CK56A	0603B103K500CT 10nF
		C202	0CK273CK56A	0603B273K500CT 27nF
		C206	0CC270CK41A	C1608C0G1H270JT 27pF
		C207	0CK103CK56A	0603B103K500CT 10nF
		C212	0CC101CK41A	C1608C0G1H101JT 100p
		C213	0CK103CK56A	0603B103K500CT 10nF
		C216	0CC270CK41A	C1608C0G1H270JT 27pF
		C217	0CC270CK41A	C1608C0G1H270JT 27pF
		C218	0CC270CK41A	C1608C0G1H270JT 27pF
		C219	0CK103CK56A	0603B103K500CT 10nF
		C220	0CK103CK56A	0603B103K500CT 10nF
		C222	0CK103CK56A	0603B103K500CT 10nF
		C223	0CK272CK46A	0603B272J500CT 2.7nF
		C224	0CK273CK56A	0603B273K500CT 27nF
		C225	0CK103CK56A	0603B103K500CT 10nF
		C227	0CK104CK56A	0603B104K500CT 100nF
		C229	0CC271CK41A	C1608C0G1H271JT 270p

DATE: 2006. 09. 13.				
*S	*AL	LOC. NO.	PART NO.	DESCRIPTION / SPECIFICATION
		C230	0CC271CK41A	C1608C0G1H271JT 270p
		C231	0CK104CK56A	0603B104K500CT 100nF
		C232	0CK272CK46A	0603B272J500CT 2.7nF
		C233	0CK103CK56A	0603B103K500CT 10nF
		C234	0CC101CK41A	C1608C0G1H101JT 100p
		C239	0CK104CK56A	0603B104K500CT 100nF
		C240	0CC271CK41A	C1608C0G1H271JT 270p
		C242	0CK104CK56A	0603B104K500CT 100nF
		C244	0CK103CK56A	0603B103K500CT 10nF
		C301	0CK103CK51A	0603B103K500CT 10nF
		C302	0CK103CK51A	0603B103K500CT 10nF
		C303	0CK103CK51A	0603B103K500CT 10nF
		C306	0CK104CK56A	0603B104K500CT 100nF
		C308	0CK104CK56A	0603B104K500CT 100nF
		C309	0CK474CH94A	0603F474Z250CT 470nF
		C310	0CK103CK51A	0603B103K500CT 10nF
		C311	0CK474CH94A	0603F474Z250CT 470nF
		C312	0CK103CK51A	0603B103K500CT 10nF
		C313	0CK104CK56A	0603B104K500CT 100nF
		C314	0CK474CH94A	0603F474Z250CT 470nF
		C315	0CK225DFK4A	C2012Y5V1C225MT 2.2u
		C316	0CK474CH94A	0603F474Z250CT 470nF
		C317	0CK474CH94A	0603F474Z250CT 470nF
		C318	0CK225DFK4A	C2012Y5V1C225MT 2.2u
		C319	0CK225DFK4A	C2012Y5V1C225MT 2.2u
		C320	0CK225DFK4A	C2012Y5V1C225MT 2.2u
		C321	0CK225DFK4A	C2012Y5V1C225MT 2.2u
		C322	0CK474CH94A	0603F474Z250CT 470nF
		C323	0CK474CH94A	0603F474Z250CT 470nF
		C324	0CK474CH94A	0603F474Z250CT 470nF
		C325	0CK225DFK4A	C2012Y5V1C225MT 2.2u
		C326	0CK474CH94A	0603F474Z250CT 470nF
		C327	0CK474CH94A	0603F474Z250CT 470nF
		C328	0CK225DFK4A	C2012Y5V1C225MT 2.2u
		C329	0CK474CH94A	0603F474Z250CT 470nF
		C330	0CK225DFK4A	C2012Y5V1C225MT 2.2u
		C331	0CK474CH94A	0603F474Z250CT 470nF
		C332	0CK474CH94A	0603F474Z250CT 470nF
		C333	0CK474CH94A	0603F474Z250CT 470nF
		C334	0CK474CH94A	0603F474Z250CT 470nF
		C335	0CK474CH94A	0603F474Z250CT 470nF
		C337	0CK474CH94A	0603F474Z250CT 470nF
		C338	0CK225DFK4A	C2012Y5V1C225MT 2.2u
		C339	0CK104CK56A	0603B104K500CT 100nF
		C341	0CK222CK56A	0603B222K500CT 2.2nF
		C343	0CH2563K516	0805B563K500CT 56nF
		C344	0CK223CK51A	0603B223K500CT 22nF
		C345	0CK821CK56A	C1608X7R1H821KT 820p
		C346	0CK103CK51A	0603B103K500CT 10nF
		C348	0CK104CK56A	0603B104K500CT 100nF
		C349	0CK103CK51A	0603B103K500CT 10nF
		C350	0CK225DFK4A	C2012Y5V1C225MT 2.2u
		C351	0CK104CK56A	0603B104K500CT 100nF
		C400	0CK103CK56A	0603B103K500CT 10nF
		C401	0CK104CK56A	0603B104K500CT 100nF
		C404	0CH5010K116	0805N1R0D500LT 1pF 0
		C405	0CH5010K116	0805N1R0D500LT 1pF 0
		C406	0CK104CK56A	0603B104K500CT 100nF
		C407	0CK104CK56A	0603B104K500CT 100nF
		C408	0CC560CK41A	C1608C0G1H560JT 56pF
		C409	0CC560CK41A	C1608C0G1H560JT 56pF
		C410	0CK103CK56A	0603B103K500CT 10nF
		C414	0CH5010K116	0805N1R0D500LT 1pF 0
		C417	0CK474CH94A	0603F474Z250CT 470nF
		C418	0CH5010K116	0805N1R0D500LT 1pF 0
		C419	0CK104CK56A	0603B104K500CT 100nF
		C420	0CK103CK56A	0603B103K500CT 10nF
		C421	0CC560CK41A	C1608C0G1H560JT 56pF
		C422	0CC560CK41A	C1608C0G1H560JT 56pF
		C423	0CK474CH94A	0603F474Z250CT 470nF
		C426	0CK474CH94A	0603F474Z250CT 470nF
		C429	0CK474CH94A	0603F474Z250CT 470nF
		C430	0CK474CH94A	0603F474Z250CT 470nF
		C431	0CK104CK56A	0603B104K500CT 100nF

DATE: 2006. 09. 13.				
*S	*AL	LOC. NO.	PART NO.	DESCRIPTION / SPECIFICATION
		C874	0CK104CK56A	0603B104K500CT 100nF
		C875	0CK104CK56A	0603B104K500CT 100nF
		C876	0CK104CK56A	0603B104K500CT 100nF
		C877	0CK104CK56A	0603B104K500CT 100nF
		C878	0CK104CK56A	0603B104K500CT 100nF
		C879	0CK104CK56A	0603B104K500CT 100nF
		C880	0CK104CK56A	0603B104K500CT 100nF
		C881	0CK104CK56A	0603B104K500CT 100nF
		C882	0CK104CK56A	0603B104K500CT 100nF
		C883	0CK104CK56A	0603B104K500CT 100nF
		C885	0CK104CK56A	0603B104K500CT 100nF
		C886	0CK104CK56A	0603B104K500CT 100nF
		C887	0CK104CK56A	0603B104K500CT 100nF
		C888	0CK104CK56A	0603B104K500CT 100nF
		C889	0CK104CK56A	0603B104K500CT 100nF
		C890	0CK104CK56A	0603B104K500CT 100nF
		C891	0CK104CK56A	0603B104K500CT 100nF
		C892	0CK104CK56A	0603B104K500CT 100nF
		C893	0CK104CK56A	0603B104K500CT 100nF
		C894	0CK104CK56A	0603B104K500CT 100nF
		C895	0CK104CK56A	0603B104K500CT 100nF
		C897	0CK104CK56A	0603B104K500CT 100nF
		C898	0CK104CK56A	0603B104K500CT 100nF
		C899	0CK104CK56A	0603B104K500CT 100nF
		C902	0CK104CK56A	0603B104K500CT 100nF
		C903	0CK103CK51A	0603B103K500CT 10nF
		C906	0CK104CK56A	0603B104K500CT 100nF
		C907	0CK103CK51A	0603B103K500CT 10nF
		C908	0CK104CK56A	0603B104K500CT 100nF
		C909	0CK103CK51A	0603B103K500CT 10nF
		C910	0CK104CK56A	0603B104K500CT 100nF
		C911	0CK103CK51A	0603B103K500CT 10nF
		C912	0CK104CK56A	0603B104K500CT 100nF
		C913	0CK103CK51A	0603B103K500CT 10nF
		C914	0CK104CK56A	0603B104K500CT 100nF
		C915	0CK103CK51A	0603B103K500CT 10nF
		C916	0CK104CK56A	0603B104K500CT 100nF
		C917	0CK103CK51A	0603B103K500CT 10nF
		C918	0CK104CK56A	0603B104K500CT 100nF
		C919	0CK103CK51A	0603B103K500CT 10nF
		C920	0CK104CK56A	0603B104K500CT 100nF
		C921	0CK103CK51A	0603B103K500CT 10nF
		C922	0CK104CK56A	0603B104K500CT 100nF
		C923	0CK103CK51A	0603B103K500CT 10nF
		C924	0CK104CK56A	0603B104K500CT 100nF
		C925	0CK103CK51A	0603B103K500CT 10nF
		C926	0CK104CK56A	0603B104K500CT 100nF
		C927	0CK103CK51A	0603B103K500CT 10nF
		C928	0CK104CK56A	0603B104K500CT 100nF
		C929	0CK103CK51A	0603B103K500CT 10nF
		C931	0CK104CK56A	0603B104K500CT 100nF
		C932	0CK103CK51A	0603B103K500CT 10nF
		C933	0CK104CK56A	0603B104K500CT 100nF
		C934	0CK103CK51A	0603B103K500CT 10nF
		C935	0CK104CK56A	0603B104K500CT 100nF
		C936	0CK103CK51A	0603B103K500CT 10nF
		C937	0CK104CK56A	0603B104K500CT 100nF
		C938	0CK103CK51A	0603B103K500CT 10nF
		C939	0CK104CK56A	0603B104K500CT 100nF
		C940	0CK103CK51A	0603B103K500CT 10nF
		C941	0CK104CK56A	0603B104K500CT 100nF
		C942	0CK103CK51A	0603B103K500CT 10nF
		C943	0CK103CK56A	0603B103K500CT 10nF
		C944	0CK104CK56A	0603B104K500CT 100nF
		C945	0CK102CK56A	0603B102K500CT 1nF 1
		C949	0CK103CK51A	0603B103K500CT 10nF
		C951	0CK104CK56A	0603B104K500CT 100nF
		C990	0CC030CK01A	0603N3R0C500LT 3pF 0
		C991	0CC030CK01A	0603N3R0C500LT 3pF 0
		C992	0CK104CK56A	0603B104K500CT 100nF
		C993	0CC101CK41A	C1608C0G1H101JT 100p
		R1952	0CK104CK56A	0603B104K500CT 100nF
		R1953	0CK104CK56A	0603B104K500CT 100nF

DATE: 2006. 09. 13.				
*S	*AL	LOC. NO.	PART NO.	DESCRIPTION / SPECIFICATION
DIODEs				
		D1200	0DD184009AA	KDS184 KDS184 TP KEC
		D1012	0DD200009AF	RU2M 400V 1.2V 10UA
		D1013	0DD200009AF	RU2M 400V 1.2V 10UA
		D1005	0DD226239AA	KDS226 1.2V 85V 300M
		D1006	0DD226239AA	KDS226 1.2V 85V 300M
		D1007	0DD226239AA	KDS226 1.2V 85V 300M
		D1008	0DD226239AA	KDS226 1.2V 85V 300M
		D1009	0DD226239AA	KDS226 1.2V 85V 300M
		D1010	0DD226239AA	KDS226 1.2V 85V 300M
		D102	0DD226239AA	KDS226 1.2V 85V 300M
		D105	0DD226239AA	KDS226 1.2V 85V 300M
		D106	0DD226239AA	KDS226 1.2V 85V 300M
		D1100	0DD226239AA	KDS226 1.2V 85V 300M
		D1105	0DD226239AA	KDS226 1.2V 85V 300M
		D1106	0DD226239AA	KDS226 1.2V 85V 300M
		D1107	0DD226239AA	KDS226 1.2V 85V 300M
		D1109	0DD226239AA	KDS226 1.2V 85V 300M
		D1110	0DD226239AA	KDS226 1.2V 85V 300M
		D112	0DD226239AA	KDS226 1.2V 85V 300M
		D113	0DD226239AA	KDS226 1.2V 85V 300M
		D114	0DD226239AA	KDS226 1.2V 85V 300M
		D200	0DS113379BA	1SS133 1.2V 90V 400M
		D300	0DD226239AA	KDS226 1.2V 85V 300M
		D500	0DD226239AA	KDS226 1.2V 85V 300M
		D501	0DD226239AA	KDS226 1.2V 85V 300M
		D502	0DD226239AA	KDS226 1.2V 85V 300M
		D504	0DR050008AA	SD05.TC - 6V 14.5V 2
		D505	0DR050008AA	SD05.TC - 6V 14.5V 2
		D506	0DR050008AA	SD05.TC - 6V 14.5V 2
		D507	0DR050008AA	SD05.TC - 6V 14.5V 2
		ZD300	0DR050008AA	SD05.TC - 6V 14.5V 2
		ZD301	0DR050008AA	SD05.TC - 6V 14.5V 2
		ZD600	0DR050008AA	SD05.TC - 6V 14.5V 2
		ZD605	0DR050008AA	SD05.TC - 6V 14.5V 2
		ZD606	0DR050008AA	SD05.TC - 6V 14.5V 2
		ZD607	0DR050008AA	SD05.TC - 6V 14.5V 2
		ZD102	0DZ560009DA	UDZS5.6B 5.6V 5.49TO
		ZD103	0DZ560009DA	UDZS5.6B 5.6V 5.49TO
		ZD400	0DZRM00248A	RLZ8.2B 8.2V 7.78TO8
		ZD401	0DZRM00248A	RLZ8.2B 8.2V 7.78TO8
IC				
		IC100	0IMCRM006B	M52758FP 4.75TO5.5V
		IC1206	0ISO206900A	CXA2069Q 8.5TO9.5V -
		IC404	0ILNR00261A	STA323AW 10TO36V 0 1
		IC502	0IPH741400E	74HC14D 2TO6V 0.002m
		IC604	0IOT0741570C	TC74LCX157FT 2TO3.6V
		IC901	0IMMRHY052C	HY5DU281622ETP-5 128
		IC902	0IMMRHY052C	HY5DU281622ETP-5 128
		IC1201	0IMMR00018A	24LC02BT-/SN 2KBIT
		IC500	0IMMR00018A	24LC02BT-/SN 2KBIT
		IC701	0IMMRAL025A	AT24C32AN-10SU-2.7 3
		IC805	0IMP242560A	24LC256T-/SM 256KBI
		IC1000	0IIPRML001A	MIC39100 2.3TO26V 0
		IC1001	0IPMGKE011A	KIA78D33F 4TO10V 3.3
		IC1003	0IPMG00027A	SC156515M-1.8TR 2.2T
		IC1004	0IPMGKE011A	KIA78D33F 4TO10V 3.3
		IC1005	0IPMGKE011A	KIA78D33F 4TO10V 3.3
		IC1100	0IPMGKE011A	KIA78D33F 4TO10V 3.3
		IC1101	0IIPRML001A	MIC39100 2.3TO26V 0
		IC1102	0IPMG00027A	SC156515M-1.8TR 2.2T
		IC1103	0IPMGKE030A	KIA78R05F 6TO12V 5V
		IC1104	0IPMG00027A	SC156515M-1.8TR 2.2T
		IC1105	0IIPRML001A	MIC39100 2.3TO26V 0
		IC703	0IMMR00004C	SST25VF040-20-4C-S2A
		IC900	0IMMRMR027E	MX29LV320CTTC-70G 32
		IC1200	0IIPRPS5005A	SI9011CLU - - LQFP
		IC400	0IMCRMN028C	MSP4450K-QA-D6 7.6TO
		IC406	0IMCRMN028C	MSP4450K-QA-D6 7.6TO
		IC600	0IIPRP00009A	ICL3232CBNZ 3VTO5.5V
		IC301	0ISA721700C	LA7217M 4.5VTO5.5V 1

DATE: 2006. 09. 13.			
*S	*AL	LOC. NO.	PART NO. DESCRIPTION / SPECIFICATION
		IC700	01MCR02006A FLI8125BB-LF 3.15VTO
		IC800	01MCR02005A FLI8532-LF-BD 1.8VTO
		IC1002	01MCRFA010A KA7809R 11.5TO24V 9V
		IC202	01PMGON013B MC34063ADR2G 3TO40V
COIL & FILTER & INDUCTOR			
		L1000	6140VB0004B LN-15A1 26uH AC500V
		L1101	6140VB0004B LN-15A1 26uH AC500V
		L1102	6140VB0004B LN-15A1 26uH AC500V
		L1103	6140VB0004B LN-15A1 26uH AC500V
		L1104	6140VB0004B LN-15A1 26uH AC500V
		L1124	6140VB0004B LN-15A1 26uH AC500V
		X1200	6202TST001H SX-1 27MHZ 30PPM 27M
		X400	6202VDT002H SX-1 18.432MHZ 30PPM
		X401	6202VDT002H SX-1 18.432MHZ 30PPM
		X700	6212AB2015J HC-49SM 19.66080HZ 1
		X800	6212AB2015J HC-49SM 19.66080HZ 1
		AL1200	6210TCE002B HB-4M3216-121JT 1200
		AL1201	6210TCE002B HB-4M3216-121JT 1200
		AL1202	6210TCE002B HB-4M3216-121JT 1200
		AL1203	6210TCE002B HB-4M3216-121JT 1200
		AL1204	6210TCE002B HB-4M3216-121JT 1200
		AL1205	6210TCE002B HB-4M3216-121JT 1200
		L100	6200J000013 MLB-321611-0500P-N2
		L1004	6200J000013 MLB-321611-0500P-N2
		L1005	6200J000013 MLB-321611-0500P-N2
		L1006	6200J000013 MLB-321611-0500P-N2
		L1007	6200J000013 MLB-321611-0500P-N2
		L1008	6200J000013 MLB-321611-0500P-N2
		L1009	6200J000013 MLB-321611-0500P-N2
		L1010	6200J000013 MLB-321611-0500P-N2
		L1011	6200J000013 MLB-321611-0500P-N2
		L1012	6200J000013 MLB-321611-0500P-N2
		L1013	6200J000013 MLB-321611-0500P-N2
		L1014	6200J000013 MLB-321611-0500P-N2
		L1015	6200J000013 MLB-321611-0500P-N2
		L1016	6200J000013 MLB-321611-0500P-N2
		L1017	6200J000013 MLB-321611-0500P-N2
		L1018	6200J000013 MLB-321611-0500P-N2
		L1019	6200J000013 MLB-321611-0500P-N2
		L1020	6200J000013 MLB-321611-0500P-N2
		L1021	6200J000013 MLB-321611-0500P-N2
		L1022	6200J000013 MLB-321611-0500P-N2
		L1023	6200J000013 MLB-321611-0500P-N2
		L1024	6200J000013 MLB-321611-0500P-N2
		L1026	6200J000013 MLB-321611-0500P-N2
		L1030	6200J000013 MLB-321611-0500P-N2
		L1031	6200J000013 MLB-321611-0500P-N2
		L110	6200J000013 MLB-321611-0500P-N2
		L1105	6200J000013 MLB-321611-0500P-N2
		L1106	6200J000013 MLB-321611-0500P-N2
		L1107	6200J000013 MLB-321611-0500P-N2
		L1108	6200J000013 MLB-321611-0500P-N2
		L1109	6200J000013 MLB-321611-0500P-N2
		L1110	6200J000013 MLB-321611-0500P-N2
		L1111	6200J000013 MLB-321611-0500P-N2
		L1112	6200J000013 MLB-321611-0500P-N2
		L1113	6200J000013 MLB-321611-0500P-N2
		L1115	6200J000013 MLB-321611-0500P-N2
		L1116	6200J000013 MLB-321611-0500P-N2
		L1117	6200J000013 MLB-321611-0500P-N2
		L1118	6200J000013 MLB-321611-0500P-N2
		L1119	6200J000013 MLB-321611-0500P-N2
		L1120	6200J000013 MLB-321611-0500P-N2
		L1121	6200J000013 MLB-321611-0500P-N2
		L1122	6200J000013 MLB-321611-0500P-N2
		L1123	6200J000013 MLB-321611-0500P-N2
		L1125	6200J000013 MLB-321611-0500P-N2
		L1126	6200J000013 MLB-321611-0500P-N2
		L1127	6200J000013 MLB-321611-0500P-N2
		L1129	6200J000013 MLB-321611-0500P-N2
		L1130	6200J000013 MLB-321611-0500P-N2
		L1133	6200J000013 MLB-321611-0500P-N2

DATE: 2006. 09. 13.			
*S	*AL	LOC. NO.	PART NO. DESCRIPTION / SPECIFICATION
		L114	6200JB8010L MLB-201209-1000L-N2
		L115	6200JB8010L MLB-201209-1000L-N2
		L119	6200JB8010L MLB-201209-1000L-N2
		L1204	6200J000013 MLB-321611-0500P-N2
		L1205	6200J000013 MLB-321611-0500P-N2
		L1206	6200J000013 MLB-321611-0500P-N2
		L1207	6200J000013 MLB-321611-0500P-N2
		L1208	6200J000013 MLB-321611-0500P-N2
		L1209	6200J000013 MLB-321611-0500P-N2
		L121	6200J000013 MLB-321611-0500P-N2
		L1212	6200J000013 MLB-321611-0500P-N2
		L122	6210TCE001Z HH-1M2012-600JT 600H
		L123	6210TCE001Z HH-1M2012-600JT 600H
		L124	6210TCE001Z HH-1M2012-600JT 600H
		L125	6210TCE001Z HH-1M2012-600JT 600H
		L126	6210TCE001Z HH-1M2012-600JT 600H
		L131	6210TCE001Z HH-1M2012-600JT 600H
		L132	6200JB8010L MLB-201209-1000L-N2
		L200	6200J000013 MLB-321611-0500P-N2
		L201	6200J000013 MLB-321611-0500P-N2
		L202	6200J000013 MLB-321611-0500P-N2
		L203	6200J000013 MLB-321611-0500P-N2
		L204	6200J000013 MLB-321611-0500P-N2
		L301	6200J000013 MLB-321611-0500P-N2
		L302	6200JB8010L MLB-201209-1000L-N2
		L304	6200J000013 MLB-321611-0500P-N2
		L400	6200J000013 MLB-321611-0500P-N2
		L401	6200J000013 MLB-321611-0500P-N2
		L403	6200J000013 MLB-321611-0500P-N2
		L407	6200J000013 MLB-321611-0500P-N2
		L408	6200J000013 MLB-321611-0500P-N2
		L409	6200J000013 MLB-321611-0500P-N2
		L410	6200J000013 MLB-321611-0500P-N2
		L413	6200J000013 MLB-321611-0500P-N2
		L414	6200J00005E HH-1M2012-601JT 6000
		L415	6200J00005E HH-1M2012-601JT 6000
		L416	6200J000013 MLB-321611-0500P-N2
		L500	6200J000013 MLB-321611-0500P-N2
		L502	6200JB8010L MLB-201209-1000L-N2
		L503	6200JB8010L MLB-201209-1000L-N2
		L506	6200J000013 MLB-321611-0500P-N2
		L604	6200J000013 MLB-321611-0500P-N2
		L606	6200J000013 MLB-321611-0500P-N2
		L607	6210VC0006A FBMH3216 HMS01NT 500
		L701	6200J000013 MLB-321611-0500P-N2
		L802	6200J000013 MLB-321611-0500P-N2
		L803	6210TCE001S HU-1M2012-121 120OHM
		L804	6210TCE001S HB-1M1608-121JT 1200
		L805	6210TCE001S HB-1M1608-121JT 1200
		L806	6200J000013 MLB-321611-0500P-N2
		L807	6200J000013 MLB-321611-0500P-N2
		R833	6210TCE001S HB-1M1608-121JT 1200
		R834	6210TCE001S HB-1M1608-121JT 1200
		R842	6210TCE001S HB-1M1608-121JT 1200
		L102	0LCML00020G MLI-201209-3R3K 3.3U
		L103	0LCML00020G MLI-201209-3R3K 3.3U
		L104	0LCML00020G MLI-201209-3R3K 3.3U
		L105	0LCML00020G MLI-201209-3R3K 3.3U
		L106	0LCML00020G MLI-201209-3R3K 3.3U
		L107	0LCML00020G MLI-201209-3R3K 3.3U
		L108	0LCML00020G MLI-201209-3R3K 3.3U
		L109	0LCML00020G MLI-201209-3R3K 3.3U
		L117	0LCML00020G MLI-201209-3R3K 3.3U
		L118	0LCML00020G MLI-201209-3R3K 3.3U
		L127	0LCML00020G MLI-201209-3R3K 3.3U
		L128	0LCML00020G MLI-201209-3R3K 3.3U
		L129	0LCML00020G MLI-201209-3R3K 3.3U
		L205	0LC6461201A D75C-646CY-121M=P3 1
		L206	0LCML00020G MLI-201209-3R3K 3.3U
		L207	0LCML00020G MLI-201209-3R3K 3.3U
		L303	0LCML00020C MLI-201212-100K 10UH
		L411	0LCML00020C MLI-201212-100K 10UH
		L412	0LCML00020C MLI-201212-100K 10UH
		L1213	6140TBZ007F SLF12575T-220M4R0-L

DATE: 2006. 09. 13.				
*S	*AL	LOC. NO.	PART NO.	DESCRIPTION / SPECIFICATION
		L1214	6140TBZ007F	SLF12575T-220M4R0-L
		L1215	6140TBZ007F	SLF12575T-220M4R0-L
		L1216	6140TBZ007F	SLF12575T-220M4R0-L
TRANSISTOR				
		Q100	0TR387500AA	2SC3875S(ALY) NPN 5V
		Q1000	0TR387500AA	2SC3875S(ALY) NPN 5V
		Q1001	0TR387500AA	2SC3875S(ALY) NPN 5V
		Q1002	0TR387500AA	2SC3875S(ALY) NPN 5V
		Q1003	0TR387500AA	2SC3875S(ALY) NPN 5V
		Q1004	0TR387500AA	2SC3875S(ALY) NPN 5V
		Q1005	0TR387500AA	2SC3875S(ALY) NPN 5V
		Q101	0TR387500AA	2SC3875S(ALY) NPN 5V
		Q102	0TR102009AM	KRA102S PNP -30V - -
		Q103	0TR387500AA	2SC3875S(ALY) NPN 5V
		Q104	0TR387500AA	2SC3875S(ALY) NPN 5V
		Q105	0TR387500AA	2SC3875S(ALY) NPN 5V
		Q106	0TR387500AA	2SC3875S(ALY) NPN 5V
		Q107	0TR387500AA	2SC3875S(ALY) NPN 5V
		Q108	0TR387500AA	2SC3875S(ALY) NPN 5V
		Q109	0TR387500AA	2SC3875S(ALY) NPN 5V
		Q110	0TR387500AA	2SC3875S(ALY) NPN 5V
		Q1200	0TR387500AA	2SC3875S(ALY) NPN 5V
		Q1202	0TR387500AA	2SC3875S(ALY) NPN 5V
		Q200	0TR150400BA	2SA1504S(ASY) PNP -5
		Q201	0TR387500AA	2SC3875S(ALY) NPN 5V
		Q202	0TR387500AA	2SC3875S(ALY) NPN 5V
		Q203	0TR150400BA	2SA1504S(ASY) PNP -5
		Q204	0TR150400BA	2SA1504S(ASY) PNP -5
		Q205	0TR387500AA	2SC3875S(ALY) NPN 5V
		Q206	0TR150400BA	2SA1504S(ASY) PNP -5
		Q207	0TR150400BA	2SA1504S(ASY) PNP -5
		Q208	0TR387500AA	2SC3875S(ALY) NPN 5V
		Q209	0TR387500AA	2SC3875S(ALY) NPN 5V
		Q210	0TR150400BA	2SA1504S(ASY) PNP -5
		Q214	0TR387500AA	2SC3875S(ALY) NPN 5V
		Q300	0TR387500AA	2SC3875S(ALY) NPN 5V
		Q301	0TR387500AA	2SC3875S(ALY) NPN 5V
		Q302	0TR387500AA	2SC3875S(ALY) NPN 5V
		Q303	0TR387500AA	2SC3875S(ALY) NPN 5V
		Q304	0TR387500AA	2SC3875S(ALY) NPN 5V
		Q305	0TR150400BA	2SA1504S(ASY) PNP -5
		Q306	0TR387500AA	2SC3875S(ALY) NPN 5V
		Q307	0TR387500AA	2SC3875S(ALY) NPN 5V
		Q400	0TR387500AA	2SC3875S(ALY) NPN 5V
		Q401	0TR387500AA	2SC3875S(ALY) NPN 5V
		Q402	0TR387500AA	2SC3875S(ALY) NPN 5V
		Q403	0TR387500AA	2SC3875S(ALY) NPN 5V
		Q404	0TR387500AA	2SC3875S(ALY) NPN 5V
		Q405	0TR102009AM	KRA102S PNP -30V - -
		Q406	0TR387500AA	2SC3875S(ALY) NPN 5V
		Q407	0TR387500AA	2SC3875S(ALY) NPN 5V
		Q408	0TR102009AM	KRA102S PNP -30V - -
		Q409	0TR387500AA	2SC3875S(ALY) NPN 5V
		Q410	0TR387500AA	2SC3875S(ALY) NPN 5V
		Q411	0TR387500AA	2SC3875S(ALY) NPN 5V
		Q412	0TR387500AA	2SC3875S(ALY) NPN 5V
		Q413	0TR387500AA	2SC3875S(ALY) NPN 5V
		Q700	0TR387500AA	2SC3875S(ALY) NPN 5V
		Q701	0TR387500AA	2SC3875S(ALY) NPN 5V
		Q702	0TR387500AA	2SC3875S(ALY) NPN 5V
		IC1202	0TR830009BA	BSS83 N-CHANNEL MOSF
		IC1203	0TR830009BA	BSS83 N-CHANNEL MOSF
		IC200	0TR830009BA	BSS83 N-CHANNEL MOSF
		IC201	0TR830009BA	BSS83 N-CHANNEL MOSF
		IC503	0TR830009BA	BSS83 N-CHANNEL MOSF
		IC504	0TR830009BA	BSS83 N-CHANNEL MOSF
		Q1201	0TF492509AA	SI4925DY P-CHANNEL -
RESISTORS				
		AR700	0RJ0222C687	RCA86TRJ22R0 22OHM 5
		AR701	0RJ0222C687	RCA86TRJ22R0 22OHM 5

DATE: 2006. 09. 13.				
*S	*AL	LOC. NO.	PART NO.	DESCRIPTION / SPECIFICATION
		AR702	0RJ0222C687	RCA86TRJ22R0 22OHM 5
		AR703	0RJ0222C687	RCA86TRJ22R0 22OHM 5
		AR704	0RJ0222C687	RCA86TRJ22R0 22OHM 5
		AR705	0RJ0222C687	RCA86TRJ22R0 22OHM 5
		AR806	0RRZVTA001B	MNR14E0ABJ510 51OHM
		AR807	0RRZVTA001B	MNR14E0ABJ510 51OHM
		AR808	0RRZVTA001B	MNR14E0ABJ510 51OHM
		AR809	0RRZVTA001B	MNR14E0ABJ510 51OHM
		AR810	0RRZVTA001B	MNR14E0ABJ510 51OHM
		AR811	0RRZVTA001B	MNR14E0ABJ510 51OHM
		AR812	0RRZVTA001B	MNR14E0ABJ510 51OHM
		AR813	0RRZVTA001B	MNR14E0ABJ510 51OHM
		AR814	0RRZVTA001B	MNR14E0ABJ510 51OHM
		AR815	0RRZVTA001B	MNR14E0ABJ510 51OHM
		AR816	0RRZVTA001B	MNR14E0ABJ510 51OHM
		AR817	0RRZVTA001B	MNR14E0ABJ510 51OHM
		R230	0RD0331H609	RD-92T1J3R30 3.3OHM
		C128	0RJ0000D677	MCR03EZPJ000 0OHM 5%
		L600	0RJ0000D677	MCR03EZPJ000 0OHM 5%
		L601	0RJ0000D677	MCR03EZPJ000 0OHM 5%
		L602	0RJ0000D677	MCR03EZPJ000 0OHM 5%
		L603	0RJ0000D677	MCR03EZPJ000 0OHM 5%
		L605	0RJ0000D677	MCR03EZPJ000 0OHM 5%
		R1	0RJ0000D677	MCR03EZPJ000 0OHM 5%
		R10	0RJ0000D677	MCR03EZPJ000 0OHM 5%
		R100	0RJ0752D677	MCR03EZPJ750 75OHM 5
		R1001	0RJ1002D677	MCR03EZPJ103 10KOHM
		R1003	0RJ1002D677	MCR03EZPJ103 10KOHM
		R1004	0RJ2002D677	MCR03EZPJ203 20KOHM
		R1006	0RJ0000D677	MCR03EZPJ000 0OHM 5%
		R1007	0RJ0000D677	MCR03EZPJ000 0OHM 5%
		R1008	0RJ2000D677	MCR03EZPJ201 200OHM
		R1009	0RJ4701D677	MCR03EZPJ472 4.7KOHM
		R101	0RJ0000D677	MCR03EZPJ000 0OHM 5%
		R1010	0RJ1001D677	MCR03EZPJ102 1KOHM 5
		R1011	0RJ1001D677	MCR03EZPJ102 1KOHM 5
		R1012	0RJ1001D677	MCR03EZPJ102 1KOHM 5
		R1014	0RJ1002D677	MCR03EZPJ103 10KOHM
		R1015	0RJ1002D677	MCR03EZPJ103 10KOHM
		R1016	0RJ1002D677	MCR03EZPJ103 10KOHM
		R1017	0RJ1801D677	MCR03EZPJ182 1.8KOHM
		R1018	0RJ1002D677	MCR03EZPJ103 10KOHM
		R1019	0RJ1002D677	MCR03EZPJ103 10KOHM
		R102	0RJ0752D677	MCR03EZPJ750 75OHM 5
		R1020	0RJ1001D677	MCR03EZPJ102 1KOHM 5
		R1021	0RJ1001D677	MCR03EZPJ102 1KOHM 5
		R1022	0RJ1001D677	MCR03EZPJ102 1KOHM 5
		R1023	0RJ1002D677	MCR03EZPJ103 10KOHM
		R103	0RJ0562D677	MCR03EZPJ560 56OHM 5
		R104	0RJ0752D677	MCR03EZPJ750 75OHM 5
		R105	0RJ0000D677	MCR03EZPJ000 0OHM 5%
		R106	0RJ4702D677	MCR03EZPJ473 47KOHM
		R107	0RJ4701D677	MCR03EZPJ472 4.7KOHM
		R108	0RJ0822D677	MCR03EZPJ820 82OHM 5
		R109	0RJ1002D677	MCR03EZPJ103 10KOHM
		R11	0RJ0000D677	MCR03EZPJ000 0OHM 5%
		R110	0RJ3002D477	MCR03EZPF303 30KOHM
		R1101	0RJ1002D677	MCR03EZPJ103 10KOHM
		R1105	0RJ1201D677	MCR03EZPJ122 1.2KOHM
		R1106	0RJ1002D677	MCR03EZPJ103 10KOHM
		R1107	0RJ1002D677	MCR03EZPJ103 10KOHM
		R1108	0RJ2002D677	MCR03EZPJ203 20KOHM
		R1109	0RJ1002D677	MCR03EZPJ103 10KOHM
		R111	0RJ4702D677	MCR03EZPJ473 47KOHM
		R1110	0RJ1002D677	MCR03EZPJ103 10KOHM
		R1111	0RJ2002D677	MCR03EZPJ203 20KOHM
		R1112	0RJ5101D677	MCR03EZPJ512 5.1KOHM
		R1113	0RJ1801D677	MCR03EZPJ182 1.8KOHM
		R1114	0RJ2201D677	MCR03EZPJ222 2.2KOHM
		R112	0RJ0822D677	MCR03EZPJ820 82OHM 5
		R113	0RJ0822D677	MCR03EZPJ820 82OHM 5
		R114	0RJ0822D677	MCR03EZPJ820 82OHM 5
		R115	0RJ0822D677	MCR03EZPJ820 82OHM 5
		R116	0RJ0822D677	MCR03EZPJ820 82OHM 5

DATE: 2006. 09. 13.				
*S	*AL	LOC. NO.	PART NO.	DESCRIPTION / SPECIFICATION
		R117	0RJ2203D677	MCR03EZPJ224 220KOHM
		R119	0RJ2203D677	MCR03EZPJ224 220KOHM
		R12	0RJ0000D677	MCR03EZPJ000 0OHM 5%
		R1201	0RJ0000D677	MCR03EZPJ000 0OHM 5%
		R1202	0RJ1001D677	MCR03EZPJ102 1KOHM 5
		R1205	0RJ1000D677	MCR03EZPJ101 100OHM
		R1206	0RJ1000D677	MCR03EZPJ101 100OHM
		R1207	0RJ4702D677	MCR03EZPJ473 47KOHM
		R1208	0RJ4702D677	MCR03EZPJ473 47KOHM
		R121	0RJ2203D677	MCR03EZPJ224 220KOHM
		R1211	0RJ1001D677	MCR03EZPJ102 1KOHM 5
		R1212	0RJ1000D677	MCR03EZPJ101 100OHM
		R1213	0RJ1000D677	MCR03EZPJ101 100OHM
		R1214	0RJ4701D477	MCR03EZPF472 4.7KOHM
		R1216	0RJ1000D677	MCR03EZPJ101 100OHM
		R1217	0RJ1000D677	MCR03EZPJ101 100OHM
		R1218	0RJ0222D677	MCR03EZPJ220 22OHM 5
		R1219	0RJ0222D677	MCR03EZPJ220 22OHM 5
		R1220	0RJ0222D677	MCR03EZPJ220 22OHM 5
		R1221	0RJ0222D677	MCR03EZPJ220 22OHM 5
		R1222	0RJ0332D677	MCR03EZPJ330 33OHM 5
		R1223	0RJ1004D677	MCR03EZPJ105 1MOHM 5
		R1224	0RJ4701D477	MCR03EZPF472 4.7KOHM
		R1225	0RJ1000D677	MCR03EZPJ101 100OHM
		R1226	0RJ0222D677	MCR03EZPJ220 22OHM 5
		R1227	0RJ0222D677	MCR03EZPJ220 22OHM 5
		R1228	0RJ0222D677	MCR03EZPJ220 22OHM 5
		R1229	0RJ0222D677	MCR03EZPJ220 22OHM 5
		R123	0RJ2203D677	MCR03EZPJ224 220KOHM
		R1230	0RJ1002D677	MCR03EZPJ103 10KOHM
		R1232	0RJ1001D677	MCR03EZPJ102 1KOHM 5
		R1234	0RJ0000D677	MCR03EZPJ000 0OHM 5%
		R1236	0RJ2001D677	MCR03EZPJ202 2KOHM 5
		R1238	0RJ1002D677	MCR03EZPJ103 10KOHM
		R1239	0RJ1002D677	MCR03EZPJ103 10KOHM
		R1240	0RJ1002D677	MCR03EZPJ103 10KOHM
		R1241	0RJ1002D677	MCR03EZPJ103 10KOHM
		R1242	0RJ0000D677	MCR03EZPJ000 0OHM 5%
		R1243	0RJ0000D677	MCR03EZPJ000 0OHM 5%
		R1244	0RJ0000D677	MCR03EZPJ000 0OHM 5%
		R1245	0RJ0000D677	MCR03EZPJ000 0OHM 5%
		R1246	0RJ0000D677	MCR03EZPJ000 0OHM 5%
		R1247	0RJ0000D677	MCR03EZPJ000 0OHM 5%
		R1248	0RJ0000D677	MCR03EZPJ000 0OHM 5%
		R1249	0RJ0000D677	MCR03EZPJ000 0OHM 5%
		R125	0RJ3002D477	MCR03EZPF303 30KOHM
		R126	0RJ2203D677	MCR03EZPJ224 220KOHM
		R127	0RJ4703D677	MCR03EZPJ474 470KOHM
		R128	0RJ2203D677	MCR03EZPJ224 220KOHM
		R129	0RJ4703D677	MCR03EZPJ474 470KOHM
		R13	0RJ0000D677	MCR03EZPJ000 0OHM 5%
		R130	0RJ2203D677	MCR03EZPJ224 220KOHM
		R131	0RJ4703D677	MCR03EZPJ474 470KOHM
		R132	0RJ2203D677	MCR03EZPJ224 220KOHM
		R133	0RJ4703D677	MCR03EZPJ474 470KOHM
		R134	0RJ0752D677	MCR03EZPJ750 75OHM 5
		R135	0RJ1001D677	MCR03EZPJ102 1KOHM 5
		R136	0RJ1001D677	MCR03EZPJ102 1KOHM 5
		R137	0RJ1001D677	MCR03EZPJ102 1KOHM 5
		R138	0RJ1001D677	MCR03EZPJ102 1KOHM 5
		R139	0RJ0222D677	MCR03EZPJ220 22OHM 5
		R14	0RJ0000D677	MCR03EZPJ000 0OHM 5%
		R140	0RJ1001D677	MCR03EZPJ102 1KOHM 5
		R141	0RJ1001D677	MCR03EZPJ102 1KOHM 5
		R142	0RJ0222D677	MCR03EZPJ220 22OHM 5
		R143	0RJ4701D677	MCR03EZPJ472 4.7KOHM
		R1432	0RJ4703D677	MCR03EZPJ474 470KOHM
		R1433	0RJ0000D677	MCR03EZPJ000 0OHM 5%
		R1436	0RJ0000D677	MCR03EZPJ000 0OHM 5%
		R144	0RJ6801D477	MCR03EZPF682 6.8KOHM
		R1442	0RJ4703D677	MCR03EZPJ474 470KOHM
		R1443	0RJ0000D677	MCR03EZPJ000 0OHM 5%
		R1444	0RJ1000D677	MCR03EZPJ101 100OHM
		R1445	0RJ0222D677	MCR03EZPJ220 22OHM 5

DATE: 2006. 09. 13.				
*S	*AL	LOC. NO.	PART NO.	DESCRIPTION / SPECIFICATION
		R1446	0RJ0222D677	MCR03EZPJ220 22OHM 5
		R1447	0RJ0000D677	MCR03EZPJ000 0OHM 5%
		R1448	0RJ2001D677	MCR03EZPJ202 2KOHM 5
		R1449	0RJ2001D677	MCR03EZPJ202 2KOHM 5
		R145	0RJ0822D677	MCR03EZPJ820 82OHM 5
		R1450	0RJ0222D677	MCR03EZPJ220 22OHM 5
		R1451	0RJ0102D677	MCR03EZPJ100 100OHM 5
		R1452	0RJ0102D677	MCR03EZPJ100 100OHM 5
		R1453	0RJ0102D677	MCR03EZPJ100 100OHM 5
		R1454	0RJ0102D677	MCR03EZPJ100 100OHM 5
		R1455	0RJ0102D677	MCR03EZPJ100 100OHM 5
		R1456	0RJ0102D677	MCR03EZPJ100 100OHM 5
		R1457	0RJ0102D677	MCR03EZPJ100 100OHM 5
		R1458	0RJ0102D677	MCR03EZPJ100 100OHM 5
		R1459	0RJ0392D677	MCR03EZPJ390 39OHM 5
		R146	0RJ4701D677	MCR03EZPJ472 4.7KOHM
		R1460	0RJ0392D677	MCR03EZPJ390 39OHM 5
		R1461	0RJ0392D677	MCR03EZPJ390 39OHM 5
		R1462	0RJ0392D677	MCR03EZPJ390 39OHM 5
		R1463	0RJ0000D677	MCR03EZPJ000 0OHM 5%
		R1464	0RJ0000D677	MCR03EZPJ000 0OHM 5%
		R147	0RJ6801D477	MCR03EZPF682 6.8KOHM
		R1470	0RJ4701D677	MCR03EZPJ472 4.7KOHM
		R1471	0RJ6801D677	MCR03EZPJ682 6.8KOHM
		R1472	0RJ4701D677	MCR03EZPJ472 4.7KOHM
		R1473	0RJ6801D677	MCR03EZPJ682 6.8KOHM
		R1474	0RJ0822D677	MCR03EZPJ820 82OHM 5
		R1475	0RJ4701D677	MCR03EZPJ472 4.7KOHM
		R1476	0RJ6801D677	MCR03EZPJ682 6.8KOHM
		R1477	0RJ0822D677	MCR03EZPJ820 82OHM 5
		R1478	0RJ0822D677	MCR03EZPJ820 82OHM 5
		R1479	0RJ2700D677	MCR03EZPJ271 270OHM
		R148	0RJ4701D677	MCR03EZPJ472 4.7KOHM
		R1480	0RJ2700D677	MCR03EZPJ271 270OHM
		R1481	0RJ2700D677	MCR03EZPJ271 270OHM
		R1482	0RJ0822D677	MCR03EZPJ820 82OHM 5
		R1483	0RJ0822D677	MCR03EZPJ820 82OHM 5
		R1484	0RJ0822D677	MCR03EZPJ820 82OHM 5
		R149	0RJ6801D477	MCR03EZPF682 6.8KOHM
		R15	0RJ0000D677	MCR03EZPJ000 0OHM 5%
		R150	0RJ0822D677	MCR03EZPJ820 82OHM 5
		R151	0RJ2700D677	MCR03EZPJ271 270OHM
		R152	0RJ2700D677	MCR03EZPJ271 270OHM
		R153	0RJ0752D677	MCR03EZPJ750 75OHM 5
		R154	0RJ0752D677	MCR03EZPJ750 75OHM 5
		R155	0RJ0752D677	MCR03EZPJ750 75OHM 5
		R156	0RJ2203D677	MCR03EZPJ224 220KOHM
		R157	0RJ2203D677	MCR03EZPJ224 220KOHM
		R158	0RJ0752D677	MCR03EZPJ750 75OHM 5
		R159	0RJ0752D677	MCR03EZPJ750 75OHM 5
		R16	0RJ0000D677	MCR03EZPJ000 0OHM 5%
		R160	0RJ0752D677	MCR03EZPJ750 75OHM 5
		R161	0RJ1001D677	MCR03EZPJ102 1KOHM 5
		R162	0RJ2203D677	MCR03EZPJ224 220KOHM
		R163	0RJ2203D677	MCR03EZPJ224 220KOHM
		R164	0RJ2203D677	MCR03EZPJ224 220KOHM
		R165	0RJ1001D677	MCR03EZPJ102 1KOHM 5
		R166	0RJ1001D677	MCR03EZPJ102 1KOHM 5
		R167	0RJ0822D677	MCR03EZPJ820 82OHM 5
		R168	0RJ2203D677	MCR03EZPJ224 220KOHM
		R169	0RJ1001D677	MCR03EZPJ102 1KOHM 5
		R17	0RJ0000D677	MCR03EZPJ000 0OHM 5%
		R170	0RJ0822D677	MCR03EZPJ820 82OHM 5
		R1700	0RJ0822D677	MCR03EZPJ820 82OHM 5
		R1701	0RJ0822D677	MCR03EZPJ820 82OHM 5
		R1707	0RJ0000D677	MCR03EZPJ000 0OHM 5%
		R1708	0RJ1001D677	MCR03EZPJ102 1KOHM 5
		R171	0RJ0000D677	MCR03EZPJ000 0OHM 5%
		R1712	0RJ4701D677	MCR03EZPJ472 4.7KOHM
		R172	0RJ1002D677	MCR03EZPJ103 10KOHM
		R174	0RJ0752D677	MCR03EZPJ750 75OHM 5
		R175	0RJ0822D677	MCR03EZPJ820 82OHM 5
		R176	0RJ0000D677	MCR03EZPJ000 0OHM 5%
		R177	0RJ0000D677	MCR03EZPJ000 0OHM 5%

DATE: 2006. 09. 13.				
*S	*AL	LOC. NO.	PART NO.	DESCRIPTION / SPECIFICATION
		R178	0RJ2001D677	MCR03EZPJ202 2KOHM 5
		R179	0RJ2001D677	MCR03EZPJ202 2KOHM 5
		R18	0RJ0000D677	MCR03EZPJ000 0OHM 5%
		R180	0RJ0000D677	MCR03EZPJ000 0OHM 5%
		R181	0RJ6801D477	MCR03EZPF682 6.8KOHM
		R1817	0RJ0000D677	MCR03EZPJ000 0OHM 5%
		R1818	0RJ0000D677	MCR03EZPJ000 0OHM 5%
		R1819	0RJ0512D677	MCR03EZPJ510 51OHM 5
		R182	0RJ4701D677	MCR03EZPJ472 4.7KOHM
		R1821	0RJ0512D677	MCR03EZPJ510 51OHM 5
		R1822	0RJ0512D677	MCR03EZPJ510 51OHM 5
		R1823	0RJ0512D677	MCR03EZPJ510 51OHM 5
		R1824	0RJ0512D677	MCR03EZPJ510 51OHM 5
		R1825	0RJ0512D677	MCR03EZPJ510 51OHM 5
		R1826	0RJ0512D677	MCR03EZPJ510 51OHM 5
		R1827	0RJ0512D677	MCR03EZPJ510 51OHM 5
		R1828	0RJ0512D677	MCR03EZPJ510 51OHM 5
		R1829	0RJ0512D677	MCR03EZPJ510 51OHM 5
		R183	0RJ0822D677	MCR03EZPJ820 82OHM 5
		R1830	0RJ0512D677	MCR03EZPJ510 51OHM 5
		R1831	0RJ0512D677	MCR03EZPJ510 51OHM 5
		R184	0RJ2700D677	MCR03EZPJ271 270OHM
		R185	0RJ2700D677	MCR03EZPJ271 270OHM
		R1856	0RJ1002D677	MCR03EZPJ103 10KOHM
		R1857	0RJ1002D677	MCR03EZPJ103 10KOHM
		R186	0RJ0822D677	MCR03EZPJ820 82OHM 5
		R1862	0RJ1002D677	MCR03EZPJ103 10KOHM
		R1863	0RJ1002D677	MCR03EZPJ103 10KOHM
		R1864	0RJ1002D677	MCR03EZPJ103 10KOHM
		R1865	0RJ1002D677	MCR03EZPJ103 10KOHM
		R1866	0RJ1002D677	MCR03EZPJ103 10KOHM
		R1867	0RJ1002D677	MCR03EZPJ103 10KOHM
		R187	0RJ0822D677	MCR03EZPJ820 82OHM 5
		R1874	0RJ1002D677	MCR03EZPJ103 10KOHM
		R1875	0RJ1002D677	MCR03EZPJ103 10KOHM
		R1879	0RJ1002D677	MCR03EZPJ103 10KOHM
		R188	0RJ0822D677	MCR03EZPJ820 82OHM 5
		R1880	0RJ1002D677	MCR03EZPJ103 10KOHM
		R1881	0RJ0222D677	MCR03EZPJ220 22OHM 5
		R1882	0RJ0222D677	MCR03EZPJ220 22OHM 5
		R1883	0RJ0000D677	MCR03EZPJ000 0OHM 5%
		R189	0RJ1002D677	MCR03EZPJ103 10KOHM
		R1892	0RJ0102D677	MCR03EZPJ100 10OHM 5
		R1893	0RJ1002D677	MCR03EZPJ103 10KOHM
		R1894	0RJ1002D677	MCR03EZPJ103 10KOHM
		R19	0RJ0000D677	MCR03EZPJ000 0OHM 5%
		R190	0RJ0000D677	MCR03EZPJ000 0OHM 5%
		R1900	0RJ0000D677	MCR03EZPJ000 0OHM 5%
		R1906	0RJ2200D677	MCR03EZPJ221 220OHM
		R1907	0RJ1000D677	MCR03EZPJ101 100OHM
		R191	0RJ1001D677	MCR03EZPJ102 1KOHM 5
		R1911	0RJ1000D677	MCR03EZPJ101 100OHM
		R1912	0RJ1002D677	MCR03EZPJ103 10KOHM
		R1913	0RJ0000D677	MCR03EZPJ000 0OHM 5%
		R1914	0RJ1001D677	MCR03EZPJ102 1KOHM 5
		R1915	0RJ0222D677	MCR03EZPJ220 22OHM 5
		R1916	0RJ1001D677	MCR03EZPJ102 1KOHM 5
		R1917	0RJ4701D677	MCR03EZPJ472 4.7KOHM
		R192	0RJ0000D677	MCR03EZPJ000 0OHM 5%
		R1920	0RJ4701D677	MCR03EZPJ472 4.7KOHM
		R1921	0RJ4701D677	MCR03EZPJ472 4.7KOHM
		R1922	0RJ0000D677	MCR03EZPJ000 0OHM 5%
		R1924	0RJ0000D677	MCR03EZPJ000 0OHM 5%
		R1925	0RJ0000D677	MCR03EZPJ000 0OHM 5%
		R193	0RJ0000D677	MCR03EZPJ000 0OHM 5%
		R1936	0RJ1001D677	MCR03EZPJ102 1KOHM 5
		R1937	0RJ1001D677	MCR03EZPJ102 1KOHM 5
		R1938	0RJ1002D677	MCR03EZPJ103 10KOHM
		R1939	0RJ1002D677	MCR03EZPJ103 10KOHM
		R194	0RJ3001D677	MCR03EZPJ302 3KOHM 5
		R1941	0RJ0000D677	MCR03EZPJ000 0OHM 5%
		R195	0RJ2700D677	MCR03EZPJ271 270OHM
		R1950	0RJ0000G676	MCR18EZHJ000_ 0OHM 5
		R1951	0RJ0000G676	MCR18EZHJ000_ 0OHM 5

DATE: 2006. 09. 13.				
*S	*AL	LOC. NO.	PART NO.	DESCRIPTION / SPECIFICATION
		R1957	0RJ0000D677	MCR03EZPJ000 0OHM 5%
		R196	0RJ0822D677	MCR03EZPJ820 82OHM 5
		R1961	0RJ0000D677	MCR03EZPJ000 0OHM 5%
		R1964	0RJ0222D677	MCR03EZPJ220 22OHM 5
		R1965	0RJ0222D677	MCR03EZPJ220 22OHM 5
		R1967	0RJ4701D677	MCR03EZPJ472 4.7KOHM
		R197	0RJ1001D677	MCR03EZPJ102 1KOHM 5
		R198	0RJ1001D677	MCR03EZPJ102 1KOHM 5
		R199	0RJ0822D677	MCR03EZPJ820 82OHM 5
		R2	0RJ0000D677	MCR03EZPJ000 0OHM 5%
		R20	0RJ0000D677	MCR03EZPJ000 0OHM 5%
		R200	0RJ0000D677	MCR03EZPJ000 0OHM 5%
		R202	0RJ1002D677	MCR03EZPJ103 10KOHM
		R203	0RJ0000D677	MCR03EZPJ000 0OHM 5%
		R204	0RJ0000D677	MCR03EZPJ000 0OHM 5%
		R205	0RJ0000D677	MCR03EZPJ000 0OHM 5%
		R206	0RJ2200D677	MCR03EZPJ221 220OHM
		R207	0RJ2200D677	MCR03EZPJ221 220OHM
		R208	0RJ1002D677	MCR03EZPJ103 10KOHM
		R209	0RJ0222D677	MCR03EZPJ220 22OHM 5
		R210	0RJ1001D677	MCR03EZPJ102 1KOHM 5
		R211	0RJ0000D677	MCR03EZPJ000 0OHM 5%
		R212	0RJ1002D677	MCR03EZPJ103 10KOHM
		R213	0RJ2201D677	MCR03EZPJ222 2.2KOHM
		R214	0RJ0102D677	MCR03EZPJ100 10OHM 5
		R216	0RJ2200D677	MCR03EZPJ221 220OHM
		R217	0RJ2200D677	MCR03EZPJ221 220OHM
		R218	0RJ4701D677	MCR03EZPJ472 4.7KOHM
		R219	0RJ4700D677	MCR03EZPJ471 470OHM
		R220	0RJ0822D677	MCR03EZPJ820 82OHM 5
		R221	0RJ0000D677	MCR03EZPJ000 0OHM 5%
		R222	0RJ1002D677	MCR03EZPJ103 10KOHM
		R223	0RJ1001D677	MCR03EZPJ102 1KOHM 5
		R224	0RJ1001D677	MCR03EZPJ102 1KOHM 5
		R225	0RJ0000D677	MCR03EZPJ000 0OHM 5%
		R226	0RJ1000D677	MCR03EZPJ101 100OHM
		R227	0RJ2700D677	MCR03EZPJ271 270OHM
		R228	0RJ2200D677	MCR03EZPJ221 220OHM
		R229	0RJ1001D677	MCR03EZPJ102 1KOHM 5
		R231	0RJ1800D677	MCR03EZPJ181 180OHM
		R232	0RJ5602D677	MCR03EZPJ563 56KOHM
		R233	0RJ2201D677	MCR03EZPJ222 2.2KOHM
		R234	0RJ1500D677	MCR03EZPJ151 150OHM
		R235	0RJ2000D677	MCR03EZPJ201 200OHM
		R236	0RJ1001D677	MCR03EZPJ102 1KOHM 5
		R237	0RJ4701D677	MCR03EZPJ472 4.7KOHM
		R238	0RJ4701D677	MCR03EZPJ472 4.7KOHM
		R239	0RJ1002D677	MCR03EZPJ103 10KOHM
		R240	0RJ4701D677	MCR03EZPJ472 4.7KOHM
		R241	0RJ4700D677	MCR03EZPJ471 470OHM
		R242	0RJ0822D677	MCR03EZPJ820 82OHM 5
		R243	0RJ2700D677	MCR03EZPJ271 270OHM
		R244	0RJ1002D677	MCR03EZPJ103 10KOHM
		R245	0RJ2201D477	MCR03EZPF222 2.2KOHM
		R3	0RJ0000D677	MCR03EZPJ000 0OHM 5%
		R300	0RJ1000D677	MCR03EZPJ101 100OHM
		R301	0RJ1000D677	MCR03EZPJ101 100OHM
		R302	0RJ0000D677	MCR03EZPJ000 0OHM 5%
		R303	0RJ0000D677	MCR03EZPJ000 0OHM 5%
		R304	0RJ0000D677	MCR03EZPJ000 0OHM 5%
		R305	0RJ1002D677	MCR03EZPJ103 10KOHM
		R306	0RJ1000D677	MCR03EZPJ101 100OHM
		R307	0RJ3300D677	MCR03EZPJ331 330OHM
		R308	0RJ0000D677	MCR03EZPJ000 0OHM 5%
		R309	0RJ0000D677	MCR03EZPJ000 0OHM 5%
		R310	0RJ1000D677	MCR03EZPJ101 100OHM
		R311	0RJ2200D677	MCR03EZPJ221 220OHM
		R312	0RJ2200D677	MCR03EZPJ221 220OHM
		R313	0RJ2200D677	MCR03EZPJ221 220OHM
		R314	0RJ2200D677	MCR03EZPJ221 220OHM
		R315	0RJ1000D677	MCR03EZPJ101 100OHM
		R316	0RJ1000D677	MCR03EZPJ101 100OHM
		R317	0RJ1001D677	MCR03EZPJ102 1KOHM 5
		R318	0RJ1001D677	MCR03EZPJ102 1KOHM 5

DATE: 2006. 09. 13.				
*S	*AL	LOC. NO.	PART NO.	DESCRIPTION / SPECIFICATION
		R319	0RJ0000D677	MCR03EZPJ000 0OHM 5%
		R320	0RJ2200D677	MCR03EZPJ221 220OHM
		R321	0RJ2200D677	MCR03EZPJ221 220OHM
		R322	0RJ1000D677	MCR03EZPJ101 100OHM
		R323	0RJ0000D677	MCR03EZPJ000 0OHM 5%
		R324	0RJ1000D677	MCR03EZPJ101 100OHM
		R326	0RJ1000D677	MCR03EZPJ101 100OHM
		R327	0RJ0000D677	MCR03EZPJ000 0OHM 5%
		R328	0RJ2200D677	MCR03EZPJ221 220OHM
		R329	0RJ2200D677	MCR03EZPJ221 220OHM
		R330	0RJ1000D677	MCR03EZPJ101 100OHM
		R331	0RJ1201D677	MCR03EZPJ122 1.2KOHM
		R332	0RJ1201D677	MCR03EZPJ122 1.2KOHM
		R333	0RJ1000D677	MCR03EZPJ101 100OHM
		R334	0RJ1000D677	MCR03EZPJ101 100OHM
		R335	0RJ1003D677	MCR03EZPJ104 100KOHM
		R336	0RJ1000D677	MCR03EZPJ101 100OHM
		R337	0RJ1000D677	MCR03EZPJ101 100OHM
		R338	0RJ1201D677	MCR03EZPJ122 1.2KOHM
		R339	0RJ1000D677	MCR03EZPJ101 100OHM
		R340	0RJ1201D677	MCR03EZPJ122 1.2KOHM
		R341	0RJ1000D677	MCR03EZPJ101 100OHM
		R342	0RJ1001D677	MCR03EZPJ102 1KOHM 5
		R343	0RJ1001D677	MCR03EZPJ102 1KOHM 5
		R344	0RJ1201D677	MCR03EZPJ122 1.2KOHM
		R345	0RJ1201D677	MCR03EZPJ122 1.2KOHM
		R346	0RJ1000D677	MCR03EZPJ101 100OHM
		R347	0RJ1201D677	MCR03EZPJ122 1.2KOHM
		R348	0RJ1201D677	MCR03EZPJ122 1.2KOHM
		R349	0RJ1000D677	MCR03EZPJ101 100OHM
		R350	0RJ1000D677	MCR03EZPJ101 100OHM
		R351	0RJ1000D677	MCR03EZPJ101 100OHM
		R352	0RJ1000D677	MCR03EZPJ101 100OHM
		R353	0RJ1000D677	MCR03EZPJ101 100OHM
		R354	0RJ1000D677	MCR03EZPJ101 100OHM
		R355	0RJ0000D677	MCR03EZPJ000 0OHM 5%
		R356	0RJ2200D677	MCR03EZPJ221 220OHM
		R357	0RJ1500D677	MCR03EZPJ151 150OHM
		R358	0RJ2200D677	MCR03EZPJ221 220OHM
		R359	0RJ1800D677	MCR03EZPJ181 180OHM
		R360	0RJ1201D677	MCR03EZPJ122 1.2KOHM
		R361	0RJ1201D677	MCR03EZPJ122 1.2KOHM
		R364	0RJ1000D677	MCR03EZPJ101 100OHM
		R367	0RJ1000D677	MCR03EZPJ101 100OHM
		R368	0RJ2200D677	MCR03EZPJ221 220OHM
		R369	0RJ2200D677	MCR03EZPJ221 220OHM
		R370	0RJ0472D677	MCR03EZPJ470 470OHM 5
		R371	0RJ5600D677	MCR03EZPJ561 560OHM
		R372	0RJ0000D677	MCR03EZPJ000 0OHM 5%
		R373	0RJ3901D677	MCR03EZPJ392 3.9KOHM
		R374	0RJ3303D677	MCR03EZPJ334 330KOHM
		R375	0RJ1000D677	MCR03EZPJ101 100OHM
		R376	0RJ1000D677	MCR03EZPJ101 100OHM
		R377	0RJ0752D677	MCR03EZPJ750 750OHM 5
		R378	0RJ0752D677	MCR03EZPJ750 750OHM 5
		R379	0RJ4703D677	MCR03EZPJ474 470KOHM
		R380	0RJ1001D677	MCR03EZPJ102 1KOHM 5
		R381	0RJ1001D677	MCR03EZPJ102 1KOHM 5
		R382	0RJ4703D677	MCR03EZPJ474 470KOHM
		R383	0RJ0752D677	MCR03EZPJ750 750OHM 5
		R389	0RJ1003D677	MCR03EZPJ104 100KOHM
		R390	0RJ1000D677	MCR03EZPJ101 100OHM
		R391	0RJ0000D677	MCR03EZPJ000 0OHM 5%
		R392	0RJ0000D677	MCR03EZPJ000 0OHM 5%
		R4	0RJ0000D677	MCR03EZPJ000 0OHM 5%
		R400	0RJ6202D677	MCR03EZPJ623 62KOHM
		R401	0RJ2402D677	MCR03EZPJ243 24KOHM
		R402	0RJ6202D677	MCR03EZPJ623 62KOHM
		R403	0RJ2402D677	MCR03EZPJ243 24KOHM
		R404	0RJ1501D677	MCR03EZPJ152 1.5KOHM
		R405	0RJ4700D677	MCR03EZPJ471 470OHM
		R407	0RJ0432D677	MCR03EZPJ430 430OHM 5
		R408	0RJ4701D677	MCR03EZPJ472 4.7KOHM
		R409	0RJ4701D677	MCR03EZPJ472 4.7KOHM

DATE: 2006. 09. 13.				
*S	*AL	LOC. NO.	PART NO.	DESCRIPTION / SPECIFICATION
		R410	0RJ1501D677	MCR03EZPJ152 1.5KOHM
		R411	0RJ4700D677	MCR03EZPJ471 470OHM
		R412	0RJ0432D677	MCR03EZPJ430 430OHM 5
		R413	0RJ0432D677	MCR03EZPJ430 430OHM 5
		R414	0RJ1000D677	MCR03EZPJ101 100OHM
		R415	0RJ1000D677	MCR03EZPJ101 100OHM
		R416	0RJ0432D677	MCR03EZPJ430 430OHM 5
		R418	0RJ1000D677	MCR03EZPJ101 100OHM
		R419	0RJ1000D677	MCR03EZPJ101 100OHM
		R420	0RJ1000D677	MCR03EZPJ101 100OHM
		R421	0RJ1000D677	MCR03EZPJ101 100OHM
		R422	0RJ0000D677	MCR03EZPJ000 0OHM 5%
		R423	0RJ1000D677	MCR03EZPJ101 100OHM
		R424	0RJ1000D677	MCR03EZPJ101 100OHM
		R425	0RJ1001D677	MCR03EZPJ102 1KOHM 5
		R426	0RJ0222D677	MCR03EZPJ220 220OHM 5
		R427	0RJ0222D677	MCR03EZPJ220 220OHM 5
		R428	0RJ1001D677	MCR03EZPJ102 1KOHM 5
		R429	0RJ0222D677	MCR03EZPJ220 220OHM 5
		R430	0RJ0000D677	MCR03EZPJ000 0OHM 5%
		R431	0RJ4701D677	MCR03EZPJ472 4.7KOHM
		R432	0RJ4701D677	MCR03EZPJ472 4.7KOHM
		R433	0RJ4703D677	MCR03EZPJ474 470KOHM
		R434	0RJ4703D677	MCR03EZPJ474 470KOHM
		R435	0RJ1501D677	MCR03EZPJ152 1.5KOHM
		R436	0RJ1501D677	MCR03EZPJ152 1.5KOHM
		R437	0RJ1000D677	MCR03EZPJ101 100OHM
		R438	0RJ1000D677	MCR03EZPJ101 100OHM
		R439	0RJ3901D677	MCR03EZPJ392 3.9KOHM
		R442	0RJ1001D677	MCR03EZPJ102 1KOHM 5
		R443	0RJ1001D677	MCR03EZPJ102 1KOHM 5
		R449	0RJ4701D677	MCR03EZPJ472 4.7KOHM
		R455	0RJ4701D677	MCR03EZPJ472 4.7KOHM
		R456	0RJ0000D677	MCR03EZPJ000 0OHM 5%
		R457	0RJ0000D677	MCR03EZPJ000 0OHM 5%
		R458	0RJ2001D677	MCR03EZPJ202 2KOHM 5
		R459	0RJ2001D677	MCR03EZPJ202 2KOHM 5
		R460	0RJ4703D677	MCR03EZPJ474 470KOHM
		R461	0RJ4703D677	MCR03EZPJ474 470KOHM
		R471	0RJ1501D677	MCR03EZPJ152 1.5KOHM
		R472	0RJ1501D677	MCR03EZPJ152 1.5KOHM
		R473	0RJ0000D677	MCR03EZPJ000 0OHM 5%
		R479	0RJ2001D677	MCR03EZPJ202 2KOHM 5
		R480	0RJ0000D677	MCR03EZPJ000 0OHM 5%
		R481	0RJ0000D677	MCR03EZPJ000 0OHM 5%
		R483	0RJ0000D677	MCR03EZPJ000 0OHM 5%
		R484	0RJ2001D677	MCR03EZPJ202 2KOHM 5
		R489	0RJ0000D677	MCR03EZPJ000 0OHM 5%
		R495	0RJ1001D677	MCR03EZPJ102 1KOHM 5
		R496	0RJ1001D677	MCR03EZPJ102 1KOHM 5
		R497	0RJ4701D677	MCR03EZPJ472 4.7KOHM
		R498	0RJ4701D677	MCR03EZPJ472 4.7KOHM
		R5	0RJ0000D677	MCR03EZPJ000 0OHM 5%
		R500	0RJ0752D677	MCR03EZPJ750 750OHM 5
		R501	0RJ2203D677	MCR03EZPJ224 220KOHM
		R502	0RJ0752D677	MCR03EZPJ750 750OHM 5
		R503	0RJ2203D677	MCR03EZPJ224 220KOHM
		R504	0RJ0752D677	MCR03EZPJ750 750OHM 5
		R505	0RJ1001D677	MCR03EZPJ102 1KOHM 5
		R506	0RJ1001D677	MCR03EZPJ102 1KOHM 5
		R508	0RJ4701D677	MCR03EZPJ472 4.7KOHM
		R509	0RJ4701D677	MCR03EZPJ472 4.7KOHM
		R510	0RJ0000D677	MCR03EZPJ000 0OHM 5%
		R511	0RJ0332D677	MCR03EZPJ330 330OHM 5
		R512	0RJ0000D677	MCR03EZPJ000 0OHM 5%
		R513	0RJ0000D677	MCR03EZPJ000 0OHM 5%
		R514	0RJ0000D677	MCR03EZPJ000 0OHM 5%
		R515	0RJ0000D677	MCR03EZPJ000 0OHM 5%
		R516	0RJ0332D677	MCR03EZPJ330 330OHM 5
		R519	0RJ0000D677	MCR03EZPJ000 0OHM 5%
		R520	0RJ0000D677	MCR03EZPJ000 0OHM 5%
		R521	0RJ0000D677	MCR03EZPJ000 0OHM 5%
		R524	0RJ1001D677	MCR03EZPJ102 1KOHM 5
		R525	0RJ1000D677	MCR03EZPJ101 100OHM

DATE: 2006. 09. 13.				
*S	*AL	LOC. NO.	PART NO.	DESCRIPTION / SPECIFICATION
		R526	0RJ1000D677	MCR03EZPJ101 100OHM
		R528	0RJ1002D677	MCR03EZPJ103 10KOHM
		R529	0RJ1002D677	MCR03EZPJ103 10KOHM
		R556	0RJ0000D677	MCR03EZPJ000 0OHM 5%
		R557	0RJ0000D677	MCR03EZPJ000 0OHM 5%
		R558	0RJ0000D677	MCR03EZPJ000 0OHM 5%
		R559	0RJ0000D677	MCR03EZPJ000 0OHM 5%
		R563	0RJ2203D677	MCR03EZPJ224 220KOHM
		R564	0RJ2203D677	MCR03EZPJ224 220KOHM
		R567	0RJ0000D677	MCR03EZPJ000 0OHM 5%
		R568	0RJ0000D677	MCR03EZPJ000 0OHM 5%
		R569	0RJ0000D677	MCR03EZPJ000 0OHM 5%
		R570	0RJ0000D677	MCR03EZPJ000 0OHM 5%
		R571	0RJ0000D677	MCR03EZPJ000 0OHM 5%
		R572	0RJ0000D677	MCR03EZPJ000 0OHM 5%
		R573	0RJ0000D677	MCR03EZPJ000 0OHM 5%
		R574	0RJ0000D677	MCR03EZPJ000 0OHM 5%
		R575	0RJ0000D677	MCR03EZPJ000 0OHM 5%
		R576	0RJ0000D677	MCR03EZPJ000 0OHM 5%
		R577	0RJ0000D677	MCR03EZPJ000 0OHM 5%
		R578	0RJ0000D677	MCR03EZPJ000 0OHM 5%
		R579	0RJ0000D677	MCR03EZPJ000 0OHM 5%
		R580	0RJ0000D677	MCR03EZPJ000 0OHM 5%
		R581	0RJ0000D677	MCR03EZPJ000 0OHM 5%
		R582	0RJ0000D677	MCR03EZPJ000 0OHM 5%
		R584	0RJ0000D677	MCR03EZPJ000 0OHM 5%
		R585	0RJ0000D677	MCR03EZPJ000 0OHM 5%
		R6	0RJ0000D677	MCR03EZPJ000 0OHM 5%
		R600	0RJ1000D677	MCR03EZPJ101 100OHM
		R601	0RJ4701D677	MCR03EZPJ472 4.7KOHM
		R602	0RJ3301D677	MCR03EZPJ332 3.3KOHM
		R603	0RJ1000D677	MCR03EZPJ101 100OHM
		R604	0RJ4700D677	MCR03EZPJ471 470OHM
		R605	0RJ0000D677	MCR03EZPJ000 0OHM 5%
		R606	0RJ1000D677	MCR03EZPJ101 100OHM
		R607	0RJ1000D677	MCR03EZPJ101 100OHM
		R608	0RJ1000D677	MCR03EZPJ101 100OHM
		R609	0RJ1000D677	MCR03EZPJ101 100OHM
		R610	0RJ1000D677	MCR03EZPJ101 100OHM
		R611	0RJ1000D677	MCR03EZPJ101 100OHM
		R614	0RJ1000D677	MCR03EZPJ101 100OHM
		R615	0RJ1000D677	MCR03EZPJ101 100OHM
		R619	0RJ1002D677	MCR03EZPJ103 10KOHM
		R629	0RJ1000D677	MCR03EZPJ101 100OHM
		R630	0RJ1000D677	MCR03EZPJ101 100OHM
		R631	0RJ1000D677	MCR03EZPJ101 100OHM
		R632	0RJ1000D677	MCR03EZPJ101 100OHM
		R633	0RJ1000D677	MCR03EZPJ101 100OHM
		R634	0RJ0000D677	MCR03EZPJ000 0OHM 5%
		R635	0RJ1000D677	MCR03EZPJ101 100OHM
		R636	0RJ1000D677	MCR03EZPJ101 100OHM
		R637	0RJ3301D677	MCR03EZPJ332 3.3KOHM
		R639	0RJ4701D677	MCR03EZPJ472 4.7KOHM
		R7	0RJ0000D677	MCR03EZPJ000 0OHM 5%
		R703	0RJ1002D677	MCR03EZPJ103 10KOHM
		R704	0RJ1002D677	MCR03EZPJ103 10KOHM
		R710	0RJ0000D677	MCR03EZPJ000 0OHM 5%
		R711	0RJ0000D677	MCR03EZPJ000 0OHM 5%
		R712	0RJ1002D677	MCR03EZPJ103 10KOHM
		R713	0RJ1000D677	MCR03EZPJ101 100OHM
		R714	0RJ1000D677	MCR03EZPJ101 100OHM
		R715	0RJ0000D677	MCR03EZPJ000 0OHM 5%
		R719	0RJ0000D677	MCR03EZPJ000 0OHM 5%
		R720	0RJ1002D677	MCR03EZPJ103 10KOHM
		R721	0RJ1002D677	MCR03EZPJ103 10KOHM
		R722	0RJ1002D677	MCR03EZPJ103 10KOHM
		R723	0RJ1002D677	MCR03EZPJ103 10KOHM
		R724	0RJ1002D677	MCR03EZPJ103 10KOHM
		R725	0RJ1002D677	MCR03EZPJ103 10KOHM
		R726	0RJ1002D677	MCR03EZPJ103 10KOHM
		R727	0RJ1002D677	MCR03EZPJ103 10KOHM
		R729	0RJ0562D677	MCR03EZPJ560 56OHM 5
		R730	0RJ1002D677	MCR03EZPJ103 10KOHM
		R731	0RH0202D622	MCR10EZHJ200 20OHM 5

DATE: 2006. 09. 13.				
*S	*AL	LOC. NO.	PART NO.	DESCRIPTION / SPECIFICATION
		R732	0RH0202D622	MCR10EZHJ200 20OHM 5
		R733	0RH0202D622	MCR10EZHJ200 20OHM 5
		R734	0RJ0562D677	MCR03EZPJ560 56OHM 5
		R735	0RH0202D622	MCR10EZHJ200 20OHM 5
		R736	0RH0202D622	MCR10EZHJ200 20OHM 5
		R737	0RH0202D622	MCR10EZHJ200 20OHM 5
		R738	0RH0202D622	MCR10EZHJ200 20OHM 5
		R739	0RJ0562D677	MCR03EZPJ560 56OHM 5
		R740	0RH0202D622	MCR10EZHJ200 20OHM 5
		R741	0RH0202D622	MCR10EZHJ200 20OHM 5
		R742	0RH0202D622	MCR10EZHJ200 20OHM 5
		R744	0RJ0562D677	MCR03EZPJ560 56OHM 5
		R745	0RH0202D622	MCR10EZHJ200 20OHM 5
		R746	0RJ0000D677	MCR03EZPJ000 0OHM 5%
		R747	0RH0202D622	MCR10EZHJ200 20OHM 5
		R748	0RJ0000D677	MCR03EZPJ000 0OHM 5%
		R749	0RJ0000D677	MCR03EZPJ000 0OHM 5%
		R750	0RH0202D622	MCR10EZHJ200 20OHM 5
		R751	0RJ0222D677	MCR03EZPJ220 22OHM 5
		R752	0RJ0222D677	MCR03EZPJ220 22OHM 5
		R754	0RJ0222D677	MCR03EZPJ220 22OHM 5
		R755	0RJ0222D677	MCR03EZPJ220 22OHM 5
		R756	0RJ0222D677	MCR03EZPJ220 22OHM 5
		R762	0RJ0000D677	MCR03EZPJ000 0OHM 5%
		R765	0RJ0000D677	MCR03EZPJ000 0OHM 5%
		R776	0RJ0000D677	MCR03EZPJ000 0OHM 5%
		R777	0RJ0000D677	MCR03EZPJ000 0OHM 5%
		R778	0RJ0000D677	MCR03EZPJ000 0OHM 5%
		R779	0RJ0000D677	MCR03EZPJ000 0OHM 5%
		R780	0RJ2701D677	MCR03EZPJ272 2.7KOHM
		R781	0RJ2701D677	MCR03EZPJ272 2.7KOHM
		R782	0RJ0222D677	MCR03EZPJ220 22OHM 5
		R783	0RJ0222D677	MCR03EZPJ220 22OHM 5
		R784	0RJ1000D677	MCR03EZPJ101 100OHM
		R785	0RJ1000D677	MCR03EZPJ101 100OHM
		R786	0RJ4701D677	MCR03EZPJ472 4.7KOHM
		R787	0RJ4701D677	MCR03EZPJ472 4.7KOHM
		R8	0RJ0000D677	MCR03EZPJ000 0OHM 5%
		R800	0RJ0000D677	MCR03EZPJ000 0OHM 5%
		R801	0RJ1002D677	MCR03EZPJ103 10KOHM
		R802	0RJ1002D677	MCR03EZPJ103 10KOHM
		R803	0RJ1002D677	MCR03EZPJ103 10KOHM
		R804	0RJ1002D677	MCR03EZPJ103 10KOHM
		R813	0RJ2701D677	MCR03EZPJ272 2.7KOHM
		R814	0RJ0000D677	MCR03EZPJ000 0OHM 5%
		R815	0RJ2701D677	MCR03EZPJ272 2.7KOHM
		R817	0RH0202D622	MCR10EZHJ200 20OHM 5
		R818	0RH0202D622	MCR10EZHJ200 20OHM 5
		R819	0RH0202D622	MCR10EZHJ200 20OHM 5
		R820	0RH0202D622	MCR10EZHJ200 20OHM 5
		R821	0RJ0562D677	MCR03EZPJ560 56OHM 5
		R822	0RH0202D622	MCR10EZHJ200 20OHM 5
		R823	0RH0202D622	MCR10EZHJ200 20OHM 5
		R824	0RH0202D622	MCR10EZHJ200 20OHM 5
		R825	0RH0202D622	MCR10EZHJ200 20OHM 5
		R826	0RJ0562D677	MCR03EZPJ560 56OHM 5
		R827	0RH0202D622	MCR10EZHJ200 20OHM 5
		R828	0RH0202D622	MCR10EZHJ200 20OHM 5
		R829	0RH0202D622	MCR10EZHJ200 20OHM 5
		R830	0RH0202D622	MCR10EZHJ200 20OHM 5
		R831	0RJ0562D677	MCR03EZPJ560 56OHM 5
		R832	0RJ0000D677	MCR03EZPJ000 0OHM 5%
		R835	0RH0202D622	MCR10EZHJ200 20OHM 5
		R836	0RJ0562D677	MCR03EZPJ560 56OHM 5
		R837	0RJ0000D677	MCR03EZPJ000 0OHM 5%
		R845	0RJ4701D677	MCR03EZPJ472 4.7KOHM
		R846	0RJ4701D677	MCR03EZPJ472 4.7KOHM
		R847	0RJ1002D677	MCR03EZPJ103 10KOHM
		R848	0RJ1002D677	MCR03EZPJ103 10KOHM
		R849	0RJ0222D677	MCR03EZPJ220 22OHM 5
		R850	0RJ0222D677	MCR03EZPJ220 22OHM 5
		R853	0RJ0222D677	MCR03EZPJ220 22OHM 5
		R854	0RJ0222D677	MCR03EZPJ220 22OHM 5
		R855	0RJ0222D677	MCR03EZPJ220 22OHM 5

DATE: 2006. 09. 13.				
*S	*AL	LOC. NO.	PART NO.	DESCRIPTION / SPECIFICATION
		R856	0RJ0222D677	MCR03EZPJ220 22OHM 5
		R857	0RJ0222D677	MCR03EZPJ220 22OHM 5
		R858	0RJ0222D677	MCR03EZPJ220 22OHM 5
		R862	0RJ0000D677	MCR03EZPJ000 0OHM 5%
		R886	0RJ0222D677	MCR03EZPJ220 22OHM 5
		R887	0RJ0222D677	MCR03EZPJ220 22OHM 5
		R888	0RJ0222D677	MCR03EZPJ220 22OHM 5
		R889	0RJ0222D677	MCR03EZPJ220 22OHM 5
		R890	0RJ0000D677	MCR03EZPJ000 0OHM 5%
		R891	0RJ0000D677	MCR03EZPJ000 0OHM 5%
		R897	0RJ0222D677	MCR03EZPJ220 22OHM 5
		R898	0RJ0222D677	MCR03EZPJ220 22OHM 5
		R9	0RJ0000D677	MCR03EZPJ000 0OHM 5%
		R915	0RJ1002D677	MCR03EZPJ103 10KOHM
		R917	0RJ1002D677	MCR03EZPJ103 10KOHM
		R919	0RJ0222D677	MCR03EZPJ220 22OHM 5
		R920	0RJ0000D677	MCR03EZPJ000 0OHM 5%
		R921	0RJ0000D677	MCR03EZPJ000 0OHM 5%
		R922	0RJ0000D677	MCR03EZPJ000 0OHM 5%
		R924	0RJ0000D677	MCR03EZPJ000 0OHM 5%
		R925	0RJ0000D677	MCR03EZPJ000 0OHM 5%
		R926	0RJ0222D677	MCR03EZPJ220 22OHM 5
		R927	0RJ0222D677	MCR03EZPJ220 22OHM 5
		R929	0RJ0000D677	MCR03EZPJ000 0OHM 5%
		R930	0RJ0000D677	MCR03EZPJ000 0OHM 5%
		R931	0RJ0000D677	MCR03EZPJ000 0OHM 5%
		R932	0RJ0000D677	MCR03EZPJ000 0OHM 5%
		R934	0RJ1002D677	MCR03EZPJ103 10KOHM
		R935	0RJ1002D677	MCR03EZPJ103 10KOHM
		R936	0RJ2700D677	MCR03EZPJ271 270OHM
		R937	0RJ2700D677	MCR03EZPJ271 270OHM
OTHERS				
		D1003	0DL233309AC	SAM2333 RED/Y-GREEN
		D1103	0DL233309AC	SAM2333 RED/Y-GREEN
		D1111	0DL233309AC	SAM2333 RED/Y-GREEN
		D1112	0DL233309AC	SAM2333 RED/Y-GREEN
		D1113	0DL233309AC	SAM2333 RED/Y-GREEN
		X300	166-E02F	CSBLA500KECF09-B0 5
		IC603	0IPRPN054A	LM75CIMX-3 3TO5.5V S
		SW700	EBF32593901	TMUE312GAB 1C1P 12VD
		SW800	EBF32593901	TMUE312GAB 1C1P 12VD
		TU206	6700MF0012A	TAUM-W101P NTSC M/N_
		TU207	6700MF0012C	TAFM-W103P NTSC M/N_
MAIN BOARD 2				
		BC1	0CK104CK56A	0603B104K500CT 100nF
		BC10	0CK104CK56A	0603B104K500CT 100nF
		BC100	0CK104CK56A	0603B104K500CT 100nF
		BC101	0CK104CK56A	0603B104K500CT 100nF
		BC102	0CK104CK56A	0603B104K500CT 100nF
		BC103	0CK104CK56A	0603B104K500CT 100nF
		BC104	0CK104CK56A	0603B104K500CT 100nF
		BC105	0CK104CK56A	0603B104K500CT 100nF
		BC106	0CK104CK56A	0603B104K500CT 100nF
		BC107	0CK104CK56A	0603B104K500CT 100nF
		BC108	0CK104CK56A	0603B104K500CT 100nF
		BC109	0CK104CK56A	0603B104K500CT 100nF
		BC11	0CK104CK56A	0603B104K500CT 100nF
		BC110	0CK104CK56A	0603B104K500CT 100nF
		BC111	0CK104CK56A	0603B104K500CT 100nF
		BC112	0CK104CK56A	0603B104K500CT 100nF
		BC113	0CK104CK56A	0603B104K500CT 100nF
		BC114	0CK104CK56A	0603B104K500CT 100nF
		BC115	0CK104CK56A	0603B104K500CT 100nF
		BC116	0CK104CK56A	0603B104K500CT 100nF
		BC117	0CK104CK56A	0603B104K500CT 100nF
		BC118	0CK104CK56A	0603B104K500CT 100nF
		BC119	0CK104CK56A	0603B104K500CT 100nF
		BC12	0CK104CK56A	0603B104K500CT 100nF
		BC120	0CK104CK56A	0603B104K500CT 100nF
		BC121	0CK104CK56A	0603B104K500CT 100nF

DATE: 2006. 09. 13.				
*S	*AL	LOC. NO.	PART NO.	DESCRIPTION / SPECIFICATION
		BC122	0CK104CK56A	0603B104K500CT 100nF
		BC123	0CK104CK56A	0603B104K500CT 100nF
		BC124	0CK104CK56A	0603B104K500CT 100nF
		BC125	0CK104CK56A	0603B104K500CT 100nF
		BC126	0CK104CK56A	0603B104K500CT 100nF
		BC127	0CK104CK56A	0603B104K500CT 100nF
		BC128	0CK104CK56A	0603B104K500CT 100nF
		BC129	0CK104CK56A	0603B104K500CT 100nF
		BC13	0CK104CK56A	0603B104K500CT 100nF
		BC130	0CK104CK56A	0603B104K500CT 100nF
		BC131	0CK104CK56A	0603B104K500CT 100nF
		BC132	0CK104CK56A	0603B104K500CT 100nF
		BC133	0CK104CK56A	0603B104K500CT 100nF
		BC134	0CK104CK56A	0603B104K500CT 100nF
		BC135	0CK104CK56A	0603B104K500CT 100nF
		BC136	0CK104CK56A	0603B104K500CT 100nF
		BC137	0CK104CK56A	0603B104K500CT 100nF
		BC138	0CK104CK56A	0603B104K500CT 100nF
		BC139	0CK104CK56A	0603B104K500CT 100nF
		BC14	0CK104CK56A	0603B104K500CT 100nF
		BC140	0CK104CK56A	0603B104K500CT 100nF
		BC141	0CK104CK56A	0603B104K500CT 100nF
		BC142	0CK104CK56A	0603B104K500CT 100nF
		BC15	0CK104CK56A	0603B104K500CT 100nF
		BC16	0CK104CK56A	0603B104K500CT 100nF
		BC17	0CK104CK56A	0603B104K500CT 100nF
		BC18	0CK104CK56A	0603B104K500CT 100nF
		BC19	0CK104CK56A	0603B104K500CT 100nF
		BC2	0CK104CK56A	0603B104K500CT 100nF
		BC20	0CK104CK56A	0603B104K500CT 100nF
		BC21	0CK104CK56A	0603B104K500CT 100nF
		BC22	0CK104CK56A	0603B104K500CT 100nF
		BC23	0CK104CK56A	0603B104K500CT 100nF
		BC24	0CK104CK56A	0603B104K500CT 100nF
		BC25	0CK104CK56A	0603B104K500CT 100nF
		BC26	0CK104CK56A	0603B104K500CT 100nF
		BC27	0CK104CK56A	0603B104K500CT 100nF
		BC28	0CK104CK56A	0603B104K500CT 100nF
		BC29	0CK104CK56A	0603B104K500CT 100nF
		BC3	0CK104CK56A	0603B104K500CT 100nF
		BC30	0CK104CK56A	0603B104K500CT 100nF
		BC31	0CK104CK56A	0603B104K500CT 100nF
		BC32	0CK104CK56A	0603B104K500CT 100nF
		BC33	0CK104CK56A	0603B104K500CT 100nF
		BC34	0CK104CK56A	0603B104K500CT 100nF
		BC35	0CK104CK56A	0603B104K500CT 100nF
		BC36	0CK104CK56A	0603B104K500CT 100nF
		BC37	0CK104CK56A	0603B104K500CT 100nF
		BC38	0CK104CK56A	0603B104K500CT 100nF
		BC39	0CK104CK56A	0603B104K500CT 100nF
		BC4	0CK104CK56A	0603B104K500CT 100nF
		BC40	0CK104CK56A	0603B104K500CT 100nF
		BC41	0CK104CK56A	0603B104K500CT 100nF
		BC42	0CK104CK56A	0603B104K500CT 100nF
		BC43	0CK104CK56A	0603B104K500CT 100nF
		BC44	0CK104CK56A	0603B104K500CT 100nF
		BC45	0CK104CK56A	0603B104K500CT 100nF
		BC46	0CK104CK56A	0603B104K500CT 100nF
		BC47	0CK104CK56A	0603B104K500CT 100nF
		BC48	0CK104CK56A	0603B104K500CT 100nF
		BC49	0CK104CK56A	0603B104K500CT 100nF
		BC5	0CK104CK56A	0603B104K500CT 100nF
		BC50	0CK104CK56A	0603B104K500CT 100nF
		BC51	0CK104CK56A	0603B104K500CT 100nF
		BC52	0CK104CK56A	0603B104K500CT 100nF
		BC53	0CK104CK56A	0603B104K500CT 100nF
		BC54	0CK104CK56A	0603B104K500CT 100nF
		BC55	0CK104CK56A	0603B104K500CT 100nF
		BC56	0CK104CK56A	0603B104K500CT 100nF
		BC57	0CK104CK56A	0603B104K500CT 100nF
		BC58	0CK104CK56A	0603B104K500CT 100nF
		BC59	0CK104CK56A	0603B104K500CT 100nF
		BC6	0CK104CK56A	0603B104K500CT 100nF
		BC60	0CK104CK56A	0603B104K500CT 100nF

DATE: 2006. 09. 13.				
*S	*AL	LOC. NO.	PART NO.	DESCRIPTION / SPECIFICATION
		BC61	0CK104CK56A	0603B104K500CT 100nF
		BC62	0CK104CK56A	0603B104K500CT 100nF
		BC63	0CK104CK56A	0603B104K500CT 100nF
		BC64	0CK104CK56A	0603B104K500CT 100nF
		BC65	0CK104CK56A	0603B104K500CT 100nF
		BC66	0CK104CK56A	0603B104K500CT 100nF
		BC67	0CK104CK56A	0603B104K500CT 100nF
		BC68	0CK104CK56A	0603B104K500CT 100nF
		BC69	0CK104CK56A	0603B104K500CT 100nF
		BC7	0CK104CK56A	0603B104K500CT 100nF
		BC70	0CK104CK56A	0603B104K500CT 100nF
		BC71	0CK104CK56A	0603B104K500CT 100nF
		BC72	0CK104CK56A	0603B104K500CT 100nF
		BC73	0CK104CK56A	0603B104K500CT 100nF
		BC74	0CK104CK56A	0603B104K500CT 100nF
		BC75	0CK104CK56A	0603B104K500CT 100nF
		BC76	0CK104CK56A	0603B104K500CT 100nF
		BC77	0CK104CK56A	0603B104K500CT 100nF
		BC78	0CK104CK56A	0603B104K500CT 100nF
		BC79	0CK104CK56A	0603B104K500CT 100nF
		BC8	0CK104CK56A	0603B104K500CT 100nF
		BC80	0CK104CK56A	0603B104K500CT 100nF
		BC81	0CK104CK56A	0603B104K500CT 100nF
		BC82	0CK104CK56A	0603B104K500CT 100nF
		BC83	0CK104CK56A	0603B104K500CT 100nF
		BC84	0CK104CK56A	0603B104K500CT 100nF
		BC85	0CK104CK56A	0603B104K500CT 100nF
		BC86	0CK104CK56A	0603B104K500CT 100nF
		BC87	0CK104CK56A	0603B104K500CT 100nF
		BC88	0CK104CK56A	0603B104K500CT 100nF
		BC89	0CK104CK56A	0603B104K500CT 100nF
		BC9	0CK104CK56A	0603B104K500CT 100nF
		BC90	0CK104CK56A	0603B104K500CT 100nF
		BC91	0CK104CK56A	0603B104K500CT 100nF
		BC92	0CK104CK56A	0603B104K500CT 100nF
		BC93	0CK104CK56A	0603B104K500CT 100nF
		BC94	0CK104CK56A	0603B104K500CT 100nF
		BC95	0CK104CK56A	0603B104K500CT 100nF
		BC96	0CK104CK56A	0603B104K500CT 100nF
		BC97	0CK104CK56A	0603B104K500CT 100nF
		BC98	0CK104CK56A	0603B104K500CT 100nF
		BC99	0CK104CK56A	0603B104K500CT 100nF
		C10	0CK104CK56A	0603B104K500CT 100nF
		C11	0CK104CK56A	0603B104K500CT 100nF
		C12	0CK104CK56A	0603B104K500CT 100nF
		C31	0CK104CK56A	0603B104K500CT 100nF
		C32	0CK104CK56A	0603B104K500CT 100nF
		C33	0CK104CK56A	0603B104K500CT 100nF
		C34	0CK104CK56A	0603B104K500CT 100nF
		C35	0CK104CK56A	0603B104K500CT 100nF
		C36	0CK104CK56A	0603B104K500CT 100nF
		C37	0CK104CK56A	0603B104K500CT 100nF
		C38	0CK104CK56A	0603B104K500CT 100nF
		C39	0CK104CK56A	0603B104K500CT 100nF
		C40	0CK104CK56A	0603B104K500CT 100nF
		C43	0CK104CK56A	0603B104K500CT 100nF
		C44	0CK104CK56A	0603B104K500CT 100nF
		C45	0CC180CK41A	C1608C0G1H180JT 18pF
		C46	0CC180CK41A	C1608C0G1H180JT 18pF
		C47	0CK104CK56A	0603B104K500CT 100nF
		C48	0CK104CK56A	0603B104K500CT 100nF
		C49	0CK104CK56A	0603B104K500CT 100nF
		C50	0CK104CK56A	0603B104K500CT 100nF
		C51	0CK104CK56A	0603B104K500CT 100nF
		C52	0CK104CK56A	0603B104K500CT 100nF
		C53	0CK104CK56A	0603B104K500CT 100nF
		C54	0CK104CK56A	0603B104K500CT 100nF
		C55	0CK104CK56A	0603B104K500CT 100nF
		C56	0CK104CK56A	0603B104K500CT 100nF
		C57	0CK104CK56A	0603B104K500CT 100nF
		C58	0CK104CK56A	0603B104K500CT 100nF
		C59	0CK104CK56A	0603B104K500CT 100nF
		C60	0CK104CK56A	0603B104K500CT 100nF
		C61	0CK104CK56A	0603B104K500CT 100nF

DATE: 2006. 09. 13.				
*S	*AL	LOC. NO.	PART NO.	DESCRIPTION / SPECIFICATION
		C62	0CC471CK41A	C1608C0G1H471JT 470p
		C63	0CC471CK41A	C1608C0G1H471JT 470p
		C64	0CK104CK56A	0603B104K500CT 100nF
		C65	0CC271CK41A	C1608C0G1H271JT 270p
		C66	0CC271CK41A	C1608C0G1H271JT 270p
		C67	0CK104CK56A	0603B104K500CT 100nF
		C68	0CC470CK41A	C1608C0G1H470JT 47pF
		C69	0CC470CK41A	C1608C0G1H470JT 47pF
		C70	0CC470CK41A	C1608C0G1H470JT 47pF
		C71	0CC470CK41A	C1608C0G1H470JT 47pF
		C9	0CK104CK56A	0603B104K500CT 100nF
		CE1	0CE476WF6DC	MVK6.3TP16VC47M 47uF
		CE10	0CE476WF6DC	MVK6.3TP16VC47M 47uF
		CE11	0CE476WF6DC	MVK6.3TP16VC47M 47uF
		CE12	0CE476WF6DC	MVK6.3TP16VC47M 47uF
		CE13	0CE476WF6DC	MVK6.3TP16VC47M 47uF
		CE14	0CE476WF6DC	MVK6.3TP16VC47M 47uF
		CE15	0CE106WFKDC	MVK4.0TP16VC10M 10uF
		CE16	0CE106WFKDC	MVK4.0TP16VC10M 10uF
		CE17	0CE105WK6DC	MVK4.0TP50VC1M 1uF 2
		CE18	0CE105WK6DC	MVK4.0TP50VC1M 1uF 2
		CE19	0CE106WFKDC	MVK4.0TP16VC10M 10uF
		CE2	0CE106WFKDC	MVK4.0TP16VC10M 10uF
		CE20	0CE105WK6DC	MVK4.0TP50VC1M 1uF 2
		CE21	0CE106WFKDC	MVK4.0TP16VC10M 10uF
		CE22	0CE105WK6DC	MVK4.0TP50VC1M 1uF 2
		CE23	0CE106WFKDC	MVK4.0TP16VC10M 10uF
		CE24	0CE105WK6DC	MVK4.0TP50VC1M 1uF 2
		CE25	0CE106WFKDC	MVK4.0TP16VC10M 10uF
		CE26	0CE105WK6DC	MVK4.0TP50VC1M 1uF 2
		CE27	0CE106WFKDC	MVK4.0TP16VC10M 10uF
		CE28	0CE227WF6DC	MVK8.0TP16VC220M 220
		CE29	0CE227WF6DC	MVK8.0TP16VC220M 220
		CE3	0CE476WF6DC	MVK6.3TP16VC47M 47uF
		CE30	0CE107WF6DC	MVK6.3TP16VC100M 100
		CE31	0CE476WF6DC	MVK6.3TP16VC47M 47uF
		CE32	0CE227WF6DC	MVK8.0TP16VC220M 220
		CE33	0CE227WF6DC	MVK8.0TP16VC220M 220
		CE34	0CE107WF6DC	MVK6.3TP16VC100M 100
		CE35	0CE107WF6DC	MVK6.3TP16VC100M 100
		CE36	0CE107WF6DC	MVK6.3TP16VC100M 100
		CE37	0CE476WF6DC	MVK6.3TP16VC47M 47uF
		CE38	0CE227WF6DC	MVK8.0TP16VC220M 220
		CE39	0CE227WF6DC	MVK8.0TP16VC220M 220
		CE4	0CE476WF6DC	MVK6.3TP16VC47M 47uF
		CE40	0CE107WF6DC	MVK6.3TP16VC100M 100
		CE41	0CE476WF6DC	MVK6.3TP16VC47M 47uF
		CE42	0CE227WF6DC	MVK8.0TP16VC220M 220
		CE43	0CE476WF6DC	MVK6.3TP16VC47M 47uF
		CE45	0CE227WF6DC	MVK8.0TP16VC220M 220
		CE5	0CE476WF6DC	MVK6.3TP16VC47M 47uF
		CE6	0CE476WF6DC	MVK6.3TP16VC47M 47uF
		CE7	0CE476WF6DC	MVK6.3TP16VC47M 47uF
		CE8	0CE476WF6DC	MVK6.3TP16VC47M 47uF
		CE9	0CE476WF6DC	MVK6.3TP16VC47M 47uF
		D1	0DSRM00148A	1SS355 1.2V 90V 225M
		FB1	0RH0000D622	MCR10EZHJ000 0OHM 5%
		FB10	0RH0000D622	MCR10EZHJ000 0OHM 5%
		FB11	0RH0000D622	MCR10EZHJ000 0OHM 5%
		FB12	0RH0000D622	MCR10EZHJ000 0OHM 5%
		FB13	0RH0000D622	MCR10EZHJ000 0OHM 5%
		FB14	0RH0000D622	MCR10EZHJ000 0OHM 5%
		FB15	0RH0000D622	MCR10EZHJ000 0OHM 5%
		FB2	0RH0000D622	MCR10EZHJ000 0OHM 5%
		FB3	0RH0000D622	MCR10EZHJ000 0OHM 5%
		FB4	0RH0000D622	MCR10EZHJ000 0OHM 5%
		FB5	0RH0000D622	MCR10EZHJ000 0OHM 5%
		FB6	0RH0000D622	MCR10EZHJ000 0OHM 5%
		FB7	0RH0000D622	MCR10EZHJ000 0OHM 5%
		FB8	0RH0000D622	MCR10EZHJ000 0OHM 5%
		FB9	0RH0000D622	MCR10EZHJ000 0OHM 5%
		L1	0RH0000D622	MCR10EZHJ000 0OHM 5%
		L4	0RH0000D622	MCR10EZHJ000 0OHM 5%
		L5	0RH0000D622	MCR10EZHJ000 0OHM 5%

DATE: 2006. 09. 13.				
*S	*AL	LOC. NO.	PART NO.	DESCRIPTION / SPECIFICATION
		L6	0RH0000D622	MCR10EZHJ000 0OHM 5%
		L7	6140VB0004B	LN-15A1 26uH AC500V
		L8	6140VB0004B	LN-15A1 26uH AC500V
		L9	6140VB0004B	LN-15A1 26uH AC500V
		PFB1	0LCML00003B	MLB-201209-0120P-N2
		PFB10	0LCML00003B	MLB-201209-0120P-N2
		PFB11	0LCML00003B	MLB-201209-0120P-N2
		PFB12	0LCML00003B	MLB-201209-0120P-N2
		PFB13	0LCML00003B	MLB-201209-0120P-N2
		PFB14	0LCML00003B	MLB-201209-0120P-N2
		PFB15	0LCML00003B	MLB-201209-0120P-N2
		PFB16	0LCML00003B	MLB-201209-0120P-N2
		PFB17	0LCML00003B	MLB-201209-0120P-N2
		PFB18	0LCML00003B	MLB-201209-0120P-N2
		PFB2	0LCML00003B	MLB-201209-0120P-N2
		PFB3	0LCML00003B	MLB-201209-0120P-N2
		PFB4	0LCML00003B	MLB-201209-0120P-N2
		PFB5	0LCML00003B	MLB-201209-0120P-N2
		PFB6	0LCML00003B	MLB-201209-0120P-N2
		PFB7	0LCML00003B	MLB-201209-0120P-N2
		PFB8	0LCML00003B	MLB-201209-0120P-N2
		PFB9	0LCML00003B	MLB-201209-0120P-N2
		Q2	0TRDI80002A	MMBT3904-(F) NPN 6V
		R1	0RJ4701D677	MCR03EZPJ472 4.7KOHM
		R10	0RJ0332D677	MCR03EZPJ330 33OHM 5
		R100	0RJ0752D677	MCR03EZPJ750 75OHM 5
		R101	0RJ1800D677	MCR03EZPJ181 180OHM
		R102	0RJ0752D677	MCR03EZPJ750 75OHM 5
		R103	0RJ0752D677	MCR03EZPJ750 75OHM 5
		R104	0RJ0752D677	MCR03EZPJ750 75OHM 5
		R105	0RJ1600D677	MCR03EZPJ161 160OHM
		R106	0RJ0000D677	MCR03EZPJ000 0OHM 5%
		R107	0RJ1002D677	MCR03EZPJ103 10KOHM
		R108	0RJ1002D677	MCR03EZPJ103 10KOHM
		R109	0RJ1002D677	MCR03EZPJ103 10KOHM
		R11	0RJ0332D677	MCR03EZPJ330 33OHM 5
		R110	0RJ1002D677	MCR03EZPJ103 10KOHM
		R111	0RJ1002D677	MCR03EZPJ103 10KOHM
		R112	0RJ1002D677	MCR03EZPJ103 10KOHM
		R113	0RJ0000D677	MCR03EZPJ000 0OHM 5%
		R114	0RJ0472D677	MCR03EZPJ470 47OHM 5
		R115	0RJ0000D677	MCR03EZPJ000 0OHM 5%
		R116	0RJ0000D677	MCR03EZPJ000 0OHM 5%
		R117	0RJ1002D677	MCR03EZPJ103 10KOHM
		R118	0RJ4701D677	MCR03EZPJ472 4.7KOHM
		R119	0RJ6200D677	MCR03EZPJ621 620OHM
		R12	0RJ0332D677	MCR03EZPJ330 33OHM 5
		R120	0RJ2000D677	MCR03EZPJ201 200OHM
		R121	0RJ2000D677	MCR03EZPJ201 200OHM
		R122	0RJ2000D677	MCR03EZPJ201 200OHM
		R123	0RJ1000D677	MCR03EZPJ101 100OHM
		R124	0RJ1000D677	MCR03EZPJ101 100OHM
		R125	0RJ2201D677	MCR03EZPJ222 2.2KOHM
		R126	0RJ1000D677	MCR03EZPJ101 100OHM
		R127	0RJ1001D677	MCR03EZPJ102 1KOHM 5
		R128	0RJ0000D677	MCR03EZPJ000 0OHM 5%
		R129	0RJ0000D677	MCR03EZPJ000 0OHM 5%
		R13	0RJ0332D677	MCR03EZPJ330 33OHM 5
		R130	0RJ0000D677	MCR03EZPJ000 0OHM 5%
		R131	0RJ0000D677	MCR03EZPJ000 0OHM 5%
		R132	0RJ0000D677	MCR03EZPJ000 0OHM 5%
		R133	0RJ0000D677	MCR03EZPJ000 0OHM 5%
		R134	0RJ3301D677	MCR03EZPJ332 3.3KOHM
		R135	0RJ1500D677	MCR03EZPJ151 150OHM
		R137	0RJ1002D677	MCR03EZPJ103 10KOHM
		R138	0RJ0332D677	MCR03EZPJ330 33OHM 5
		R139	0RJ0332D677	MCR03EZPJ330 33OHM 5
		R14	0RJ0332D677	MCR03EZPJ330 33OHM 5
		R140	0RJ0332D677	MCR03EZPJ330 33OHM 5
		R141	0RJ3301D677	MCR03EZPJ332 3.3KOHM
		R142	0RJ1500D677	MCR03EZPJ151 150OHM
		R144	0RJ0000D677	MCR03EZPJ000 0OHM 5%
		R145	0RJ4700D677	MCR03EZPJ471 470OHM
		R146	0RJ1002D677	MCR03EZPJ103 10KOHM

DATE: 2006. 09. 13.				
*S	*AL	LOC. NO.	PART NO.	DESCRIPTION / SPECIFICATION
		R147	0RJ4700D677	MCR03EZPJ471 470OHM
		R148	0RJ1002D677	MCR03EZPJ103 10KOHM
		R149	0RJ0332D677	MCR03EZPJ330 33OHM 5
		R15	0RJ1002D677	MCR03EZPJ103 10KOHM
		R150	0RJ0222D677	MCR03EZPJ220 22OHM 5
		R151	0RJ0472D677	MCR03EZPJ470 47OHM 5
		R152	0RJ0332D677	MCR03EZPJ330 33OHM 5
		R155	0RJ0222D677	MCR03EZPJ220 22OHM 5
		R156	0RJ0222D677	MCR03EZPJ220 22OHM 5
		R157	0RJ0222D677	MCR03EZPJ220 22OHM 5
		R158	0RJ0222D677	MCR03EZPJ220 22OHM 5
		R159	0RJ0752D677	MCR03EZPJ750 75OHM 5
		R16	0RJ1002D677	MCR03EZPJ103 10KOHM
		R160	0RJ0752D677	MCR03EZPJ750 75OHM 5
		R161	0RJ0752D677	MCR03EZPJ750 75OHM 5
		R162	0RJ0752D677	MCR03EZPJ750 75OHM 5
		R163	0RJ0752D677	MCR03EZPJ750 75OHM 5
		R164	0RJ0752D677	MCR03EZPJ750 75OHM 5
		R165	0RJ1002D677	MCR03EZPJ103 10KOHM
		R166	0RJ2203D677	MCR03EZPJ224 220KOHM
		R167	0RJ2203D677	MCR03EZPJ224 220KOHM
		R169	0RJ0000D677	MCR03EZPJ000 0OHM 5%
		R17	0RJ5601D677	MCR03EZPJ562 5.6KOHM
		R170	0RJ0000D677	MCR03EZPJ000 0OHM 5%
		R171	0RJ0000D677	MCR03EZPJ000 0OHM 5%
		R172	0RJ0000D677	MCR03EZPJ000 0OHM 5%
		R173	0RJ0000D677	MCR03EZPJ000 0OHM 5%
		R174	0RJ0000D677	MCR03EZPJ000 0OHM 5%
		R175	0RJ0000D677	MCR03EZPJ000 0OHM 5%
		R176	0RJ0000D677	MCR03EZPJ000 0OHM 5%
		R177	0RJ0000D677	MCR03EZPJ000 0OHM 5%
		R178	0RJ0000D677	MCR03EZPJ000 0OHM 5%
		R179	0RJ0000D677	MCR03EZPJ000 0OHM 5%
		R18	0RJ1002D677	MCR03EZPJ103 10KOHM
		R180	0RJ0000D677	MCR03EZPJ000 0OHM 5%
		R19	0RJ1001D677	MCR03EZPJ102 1KOHM 5
		R20	0RJ1002D677	MCR03EZPJ103 10KOHM
		R21	0RJ1002D677	MCR03EZPJ103 10KOHM
		R22	0RJ1002D677	MCR03EZPJ103 10KOHM
		R23	0RJ0000D677	MCR03EZPJ000 0OHM 5%
		R24	0RJ2000D677	MCR03EZPJ201 200OHM
		R25	0RJ2000D677	MCR03EZPJ201 200OHM
		R26	0RJ2000D677	MCR03EZPJ201 200OHM
		R27	0RJ2000D677	MCR03EZPJ201 200OHM
		R28	0RJ0000D677	MCR03EZPJ000 0OHM 5%
		R29	0RJ1001D677	MCR03EZPJ102 1KOHM 5
		R3	0RJ4701D677	MCR03EZPJ472 4.7KOHM
		R30	0RJ1001D677	MCR03EZPJ102 1KOHM 5
		R31	0RJ1001D677	MCR03EZPJ102 1KOHM 5
		R32	0RJ1001D677	MCR03EZPJ102 1KOHM 5
		R34	0RJ1001D677	MCR03EZPJ102 1KOHM 5
		R35	0RJ4701D677	MCR03EZPJ472 4.7KOHM
		R36	0RJ0472D677	MCR03EZPJ470 47OHM 5
		R37	0RJ0472D677	MCR03EZPJ470 47OHM 5
		R38	0RJ1002D677	MCR03EZPJ103 10KOHM
		R4	0RJ4701D677	MCR03EZPJ472 4.7KOHM
		R41	0RJ1001D677	MCR03EZPJ102 1KOHM 5
		R42	0RJ1001D677	MCR03EZPJ102 1KOHM 5
		R43	0RJ4701D677	MCR03EZPJ472 4.7KOHM
		R44	0RJ4701D677	MCR03EZPJ472 4.7KOHM
		R45	0RJ4701D677	MCR03EZPJ472 4.7KOHM
		R46	0RJ4701D677	MCR03EZPJ472 4.7KOHM
		R47	0RJ5601D677	MCR03EZPJ562 5.6KOHM
		R48	0RJ5601D677	MCR03EZPJ562 5.6KOHM
		R49	0RJ1501D677	MCR03EZPJ152 1.5KOHM
		R5	0RJ4701D677	MCR03EZPJ472 4.7KOHM
		R50	0RJ1501D677	MCR03EZPJ152 1.5KOHM
		R52	0RJ1002D677	MCR03EZPJ103 10KOHM
		R54	0RJ1002D677	MCR03EZPJ103 10KOHM
		R56	0RJ1001D677	MCR03EZPJ102 1KOHM 5
		R57	0RJ1001D677	MCR03EZPJ102 1KOHM 5
		R58	0RJ1001D677	MCR03EZPJ102 1KOHM 5
		R59	0RJ1001D677	MCR03EZPJ102 1KOHM 5
		R6	0RJ4701D677	MCR03EZPJ472 4.7KOHM

DATE: 2006. 09. 13.				
*S	*AL	LOC. NO.	PART NO.	DESCRIPTION / SPECIFICATION
		R60	0RJ1001D677	MCR03EZPJ102 1KOHM 5
		R61	0RJ2202D677	MCR03EZPJ223 22KOHM
		R62	0RJ6801D677	MCR03EZPJ682 6.8KOHM
		R63	0RJ0332D677	MCR03EZPJ330 33OHM 5
		R64	0RJ0332D677	MCR03EZPJ330 33OHM 5
		R65	0RJ0332D677	MCR03EZPJ330 33OHM 5
		R66	0RJ0472D677	MCR03EZPJ470 47OHM 5
		R67	0RJ1002D677	MCR03EZPJ103 10KOHM
		R68	0RJ0000D677	MCR03EZPJ000 0OHM 5%
		R69	0RJ1002D677	MCR03EZPJ103 10KOHM
		R7	0RJ0332D677	MCR03EZPJ330 33OHM 5
		R70	0RJ4701D677	MCR03EZPJ472 4.7KOHM
		R71	0RJ1001D677	MCR03EZPJ102 1KOHM 5
		R72	0RJ4701D677	MCR03EZPJ472 4.7KOHM
		R73	0RJ4701D677	MCR03EZPJ472 4.7KOHM
		R74	0RJ4701D677	MCR03EZPJ472 4.7KOHM
		R75	0RJ0332D677	MCR03EZPJ330 33OHM 5
		R76	0RJ0332D677	MCR03EZPJ330 33OHM 5
		R77	0RJ0332D677	MCR03EZPJ330 33OHM 5
		R78	0RJ1000D677	MCR03EZPJ101 100OHM
		R79	0RJ0332D677	MCR03EZPJ330 33OHM 5
		R8	0RJ0332D677	MCR03EZPJ330 33OHM 5
		R80	0RJ0332D677	MCR03EZPJ330 33OHM 5
		R81	0RJ0332D677	MCR03EZPJ330 33OHM 5
		R82	0RJ0332D677	MCR03EZPJ330 33OHM 5
		R83	0RJ0332D677	MCR03EZPJ330 33OHM 5
		R84	0RJ0332D677	MCR03EZPJ330 33OHM 5
		R85	0RJ0332D677	MCR03EZPJ330 33OHM 5
		R86	0RJ0332D677	MCR03EZPJ330 33OHM 5
		R87	0RJ0332D677	MCR03EZPJ330 33OHM 5
		R88	0RJ0332D677	MCR03EZPJ330 33OHM 5
		R89	0RJ0332D677	MCR03EZPJ330 33OHM 5
		R9	0RJ0332D677	MCR03EZPJ330 33OHM 5
		R90	0RJ0000D677	MCR03EZPJ000 0OHM 5%
		R91	0RJ0000D677	MCR03EZPJ000 0OHM 5%
		R97	0RJ5601D677	MCR03EZPJ562 5.6KOHM
		R98	0RJ0752D677	MCR03EZPJ750 75OHM 5
		R99	0RJ0752D677	MCR03EZPJ750 75OHM 5
		RN1	0RR1002Q62A	RCA86TRJ10K0 10KOHM
		RN10	0RJ0222C687	RCA86TRJ22R0 22OHM 5
		RN11	0RJ0222C687	RCA86TRJ22R0 22OHM 5
		RN12	0RJ0222C687	RCA86TRJ22R0 22OHM 5
		RN13	0RJ0222C687	RCA86TRJ22R0 22OHM 5
		RN14	0RJ0222C687	RCA86TRJ22R0 22OHM 5
		RN2	0RR1002Q62A	RCA86TRJ10K0 10KOHM
		RN3	0RR1002Q62A	RCA86TRJ10K0 10KOHM
		RN4	0RJ0222C687	RCA86TRJ22R0 22OHM 5
		RN5	0RJ0222C687	RCA86TRJ22R0 22OHM 5
		RN6	0RJ0222C687	RCA86TRJ22R0 22OHM 5
		RN7	0RJ0222C687	RCA86TRJ22R0 22OHM 5
		RN8	0RJ0222C687	RCA86TRJ22R0 22OHM 5
		RN9	0RJ0222C687	RCA86TRJ22R0 22OHM 5
		U1	0IPRP00725A	MS2689-CBZ 3.0VTO3.6
		U11	0IPRPNE011B	"UPD64015AGM-UEU-A,LF"
		U12	0IMMR00080A	HY57V161610ETP-6 16M
		U13	0IPRPCI013A	CS5340-CZZR 1.7TO5.2
		U14	0IPRPCI016A	CS4344-CZZR 4.75TO5.
		U15	0IPMGRH001B	BA05FP 6TO25V 5V 1W
		U16	0IMCRRH001A	BA033FP-E2 4.3TO25V
		U17	0IPMGRH001D	BA15BC0FP-E2 3TO16V
		U18	0IPMG00027A	SC156515M-1.8TR 2.2T
		U19	0IKE702700D	KIA7027AF -0.3TO15V
		U2	0ISTLPH026A	74LVC14APW 1.2TO3.6V
		U3	0IMMR00080A	HY57V161610ETP-6 16M
		U4	0IMMR00080A	HY57V161610ETP-6 16M
		U5	0IMMR00080A	HY57V161610ETP-6 16M
		U6	0IMMR00080A	HY57V161610ETP-6 16M
		U7	0IPRP00726A	MS8301-CMZ 3.3VTO3.3
		U8	0IMMRHY001L	HY57V641620ETP-H 64M
		U9	0IMMRHY001L	HY57V641620ETP-H 64M
		X1	6204B48363A	BMS-873R 27MHz 27MHZ
		Y1	6212AB2873A	HC-49/SM 24.576MHZ 3

DATE: 2006. 09. 13.				
*S	*AL	LOC. NO.	PART NO.	DESCRIPTION / SPECIFICATION
CONTROL BOARD				
		R101	0RH1302D622	MCR10EZHJ133 13KOHM
		R102	0RH4701D622	MCR10EZHJ472 4.7KOHM
		R103	0RH1501D622	MCR10EZHJ152 1.5KOHM
		R104	0RH0000D622	MCR10EZHJ000 0OHM 5%
		R105	0RH1302D622	MCR10EZHJ133 13KOHM
		R106	0RH4701D622	MCR10EZHJ472 4.7KOHM
		R107	0RH1501D622	MCR10EZHJ152 1.5KOHM
		R108	0RH0000D622	MCR10EZHJ000 0OHM 5%
		SW101	140-313A	THVV501BBC 1C1P 12VD
		SW102	140-313A	THVV501BBC 1C1P 12VD
		SW103	140-313A	THVV501BBC 1C1P 12VD
		SW104	140-313A	THVV501BBC 1C1P 12VD
		SW105	140-313A	THVV501BBC 1C1P 12VD
		SW106	140-313A	THVV501BBC 1C1P 12VD
		SW107	140-313A	THVV501BBC 1C1P 12VD
		SW108	140-313A	THVV501BBC 1C1P 12VD
SIDE A/V BOARD				
		C101	0CH5101K416	C2012C0G1H101JT 100p
		C102	0CH5101K416	C2012C0G1H101JT 100p
		R101	0RH0000D622	MCR10EZHJ000 0OHM 5%
		R102	0RH0000D622	MCR10EZHJ000 0OHM 5%
		R103	0RH0000D622	MCR10EZHJ000 0OHM 5%
		R104	0RH0000D622	MCR10EZHJ000 0OHM 5%
		R105	0RH4700D622	MCR10EZHJ471 470OHM
		R106	0RH4700D622	MCR10EZHJ471 470OHM
LED BOARD				
		D200	0DLAU0410AA	SAW5670 ROUND 5mM AM
		IC201	6712000013A	TSOP4438SO1 4.5TO5.5
		P200	6602T20009J	SMAW200-10P 10P 2.00
		P201	6602T20009C	SMAW200-04P 4P 2.00M
		C200	0CH5101K416	C2012C0G1H101JT 100p
		C201	0CH5330K416	C2012C0G1H330JT 33pF
		C202	0CE476VF6DC	VG476M016S0ANE010 4
		C203	0CE476VF6DC	VG476M016S0ANE010 4
		C204	0CE476VF6DC	VG476M016S0ANE010 4
		L200	0LC1032101A	FI-C3216-103KJT 10UH
		Q200	0TR387500AA	2SC3875S(ALY) NPN 5V
		Q201	0TR387500AA	2SC3875S(ALY) NPN 5V
		Q202	0TR387500AA	2SC3875S(ALY) NPN 5V
		R200	0RH0000D622	MCR10EZHJ000 0OHM 5%
		R201	0RH0000D622	MCR10EZHJ000 0OHM 5%
		R202	0RH4700D622	MCR10EZHJ471 470OHM
		R203	0RH0000D622	MCR10EZHJ000 0OHM 5%
		R204	0RH4700D622	MCR10EZHJ471 470OHM
		R205	0RH0000D622	MCR10EZHJ000 0OHM 5%
		R206	0RH0000D622	MCR10EZHJ000 0OHM 5%
		R207	0RJ1001D677	MCR03EZPJ102 1KOHM 5
		R208	0RH4700D622	MCR10EZHJ471 470OHM