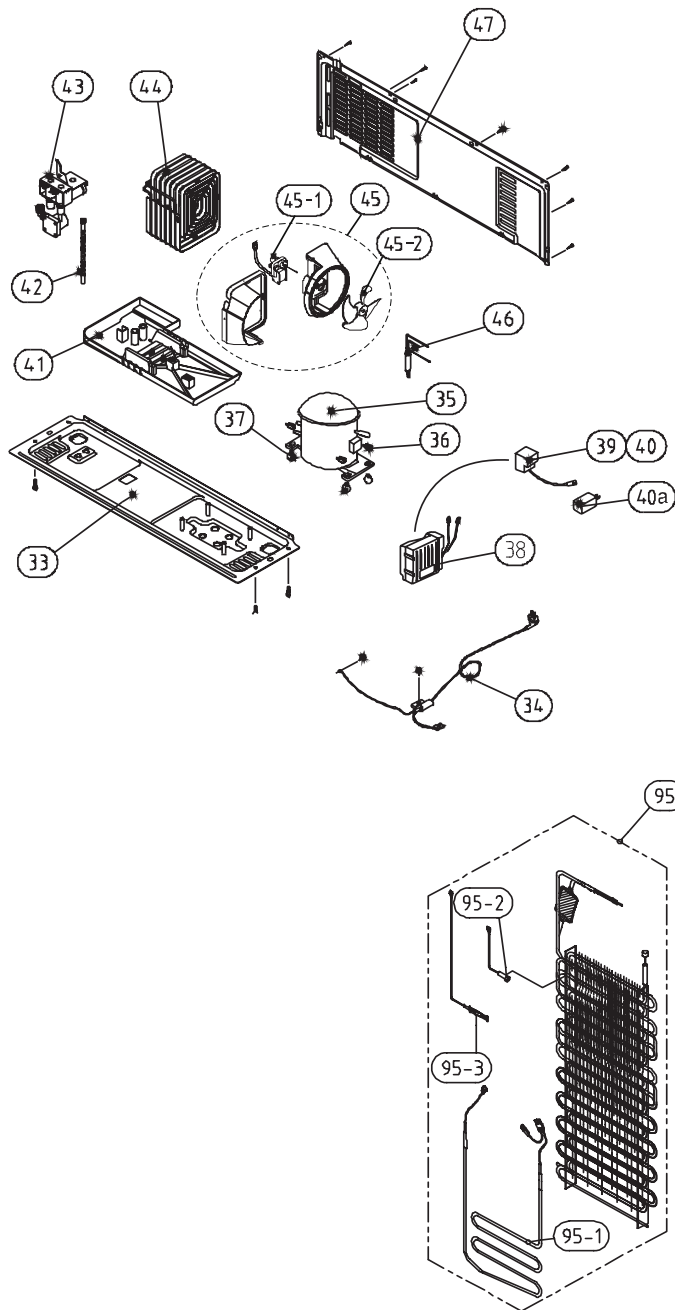


NO	PART-CODE	PART NAME	SPEC.	Q'ty					
				Inner Basic	Basic	Dispenser			
1		ASSY CAB URT		-	-	-			
2	3012924400	HINGE *T *R AS	PO T3.0+PAINT	1	1	1			
3	3012924300	HINGE *T *L AS	PO T3.0+PAINT	1	1	1			
6	3011446200	COVER HI *T *R	PP	1	1	1			
7	3011446100	COVER HI *T *L	PP	1	1	1			
9	3010968400	CAP CAB COVER	PP	2	2	2			
11	30143D6061	PCB MAIN AS	FRU-571I, R-134a	1	x	x			
	30143D6070		FRU-571I, R-600a						
	30143H4070		FRU-577I, Inverter Comp.	x	1	x			
	30143E1020		FRU-579B, R-134a						
	30143E1060		FRU-573B, R600a						
	30143H4060		FRU-57BB, Inverter Comp.						
	30143H3030		FRU-541F, R-134a				x	x	1
	30143H3040		FRU-541F, R-600a						
30143H3090	FRU-541F, Inverter Comp.								
12	3011446001	COVER M/PCB BOX	PP(FB-72)	1	1	1			
14	3013224800	HOSE I/MAKER TUBE AS	FRU-541D	x	x	1			
15	3012519210	GUIDE CAB W/TUBE A AS	L1525	x	x	1			
16	3011444100	COVER GUIDE CAB W/T A	HIPS	x	x	1			
17	3011202000	CLAMP WATER TUBE A	PA-66, 5N	x	x	2			
18	3019974800	S/PART FILTER WATER AS	FR-S660CW	x	x	1			
19	3012924004	HINGE *U *R AS	P/O T5.0+PAINT	1	1	1			
20	3012923902	HINGE *U *L AS	P/O T5.0 + PAINT	1	1	1			
22	3010658002	BRACKET ADJ FOOT AS	SPCC/T2.6/BK PAINT	2	2	2			
23	3013064200	HOLDER TUBE A	A5UC5	x	x	2			
24	3011447230	COVER CAB BRKT AS	COVER+VINYL(DAEWOO)	1	1	1			
25	3019974020	S/PART W/TUBE AS	W/DISPENSER EXPORT MODEL	x	x	1			

- Some parts can be chaged for improving their performace without notice.

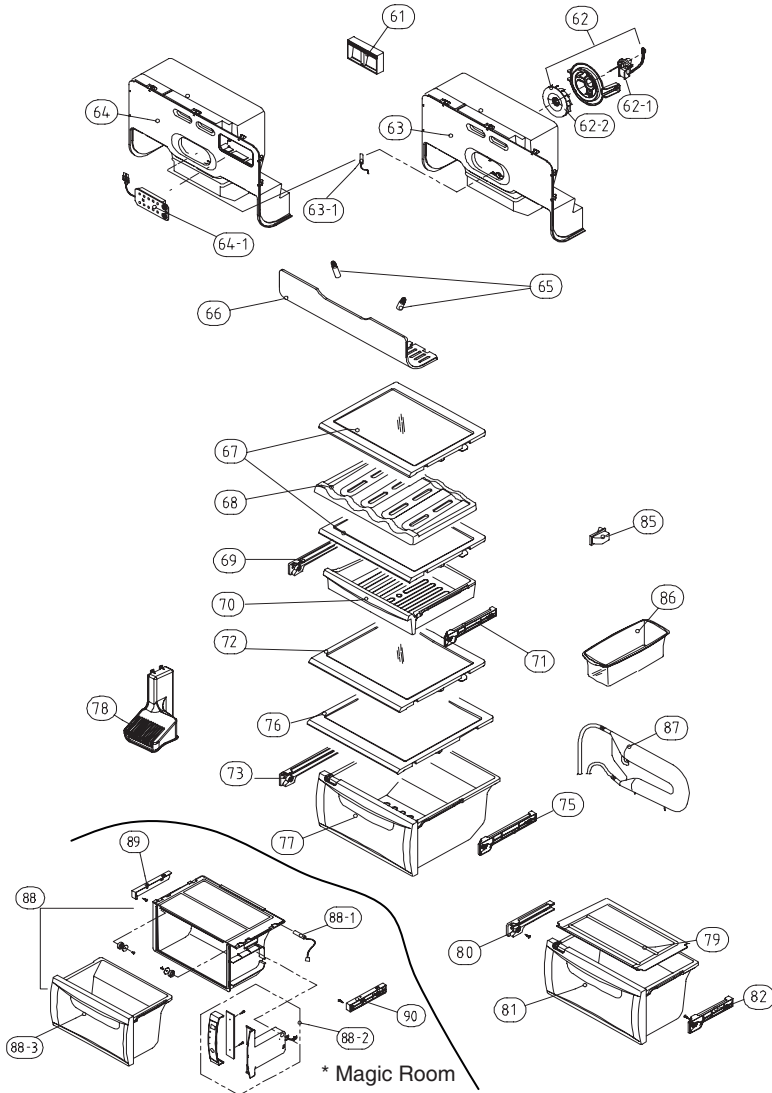
Date	A mendment Note



NO	PART-CODE	PART NAME	SPEC.	Q'ty	
				Basic	Dispenser
29	3010340402	BASE COMP AS	FR-S570FRB(NO-HANDLE)	1	1
34		CORD POWER		1	1
35	3956183D20	COMPRESSOR	MK183D-L2U (110~127V)	1	1
	3956183D40		MK183B-L2U (220V/60Hz)		
	395S130R50		HPL30YG-5 (220~240V/50Hz)		
	3956183D50		MK183Q-L2U (220~240V/50Hz)		
	3956112250		DG125E11RAW5 (220~240V/50Hz)		
	3956111M51		VEGZ11C (Inverter)		
36	3016002500	COMP WASHER	SK-5 T0.8	3	3
37	3010101600	ABSORBER COMP	NBR Type	4	4
	3010101480		SPRING Type		
38*	3010566510	BOX INVERTER AS	Inverter Models Only	1	1
39	3018129610	SWITCH P RELAY AS	445PHB,J531Q (MK183D)	1	1
	3018129620		293SHB,J531Q (MK183B)		
	3018129810		308NHB,S330 (HPL30YG)		
	3018129600		265RHB, J531Q (MK183Q)		
	3018129650		232NFB,330M (DG125E11)		
40	3811400503	COVER RELAY	HPL30YG-5 DAEWOO COMP.	1	1
	3012610000	CLAMP BAND RELAY			
	3811402100	COVER RELAY			
	3001410000	COVER RELAY			
40a	3016405020	CAPACITOR RUN	250VAC/12 μ F (MK183D..)	1	1
	3016406100		400VAC/5 μ F (HPL30YG..)		
	3016405900		350VAC/5 μ F (MK183B, MK183Q..)		
	3016405110		350VAC/4 μ F (DG125E..)		
41	3011181310	CASE VAPORI AS	FRS-551F PP(NATURAL)	1	1
42	3013201710	HOSE DRN B	PE FRB-5970NB	1	1
43	3015402300	VALVE WATER AS	FR-S660CW	x	1
44	3014461530	PIPE WICON AS	FRU-57(SBS)	1	1
45	3018500510	M/BELL AS	FRU-571I PP(NATURAL)	1	1
45-1	3015916100	MOTOR C FAN	D4612AAA22	1	1
45-2	3011834710	FAN	PP OD3.17XD150	1	1
46	3016808100	DRYER AS	SBS 12G	1	1
47	3011497001	COVER MACH RM AS	FRU-571I	1	1

NO	PART-CODE	PART NAME	SPEC.	Q'ty	
				Basic	Dispenser
95	3017053540	EVA AS	110~127V/192W	1	1
	3017053550		220~240V/192W		
95-1	3012818410	HEATER SHEATH AS	110~127V/192W	1	1
	3012818310		220~240V/192W		
95-2	3014806900	SENSOR D AS	PBN-43	1	1
95-3	3017202010	FUSE TEMP AS	AC250V 77C 10A	1	1

Type 1 : Refrigerator Case 2 ea

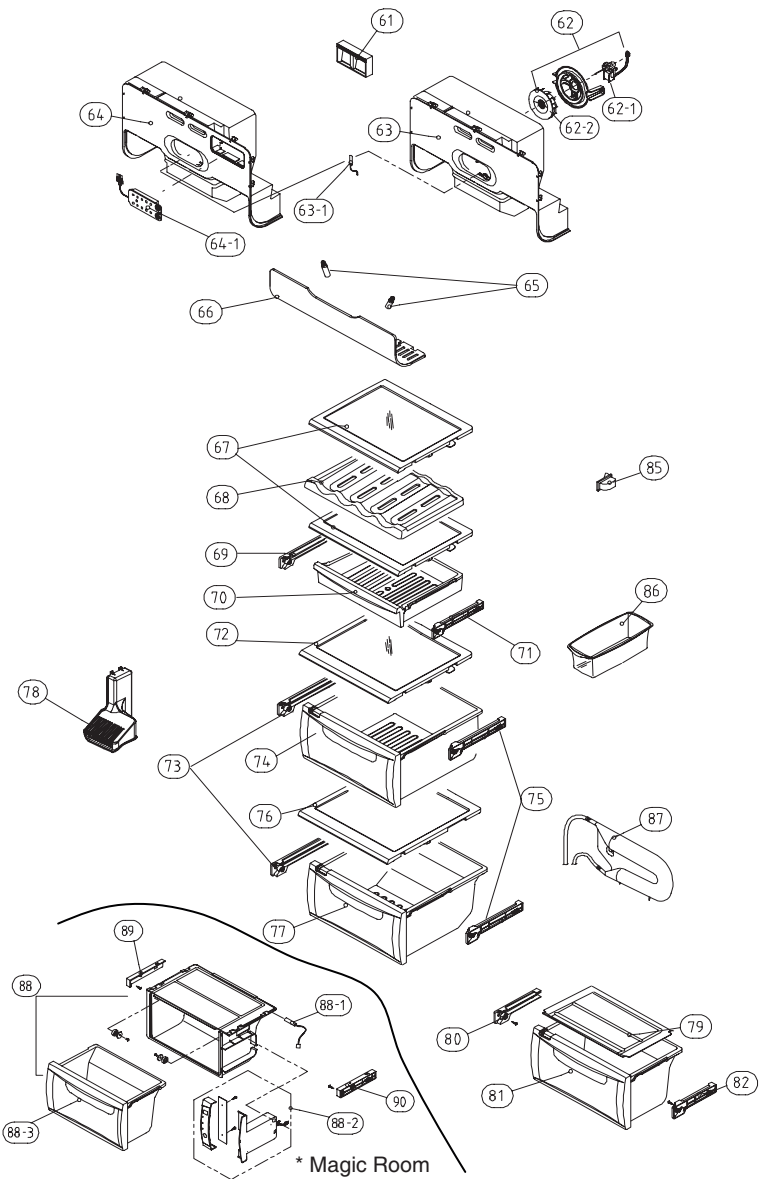


NO	PART-CODE	PART NAME	SPEC.	Q'ty		
				Inner Basic	Basic	Dispenser
61	3012205001	FRAME CHECK VALVE AS	FR-S580CG	1	1	1
62	3012024200	FIXTURE MOTR AS	.	1	1	1
62-1	3015916000	MOTOR R FAN	D4612AAA20	1	1	1
62-2	3011835410	FAN R	PP OD3.17XD95	1	1	1
63	3011495100	COVER DAMP AS	FRU-541D	x	1	1
63-1	3014807100	SENSOR R AS	PBN-43B	1	1	1
64	3011492800	COVER DAMP AS	FRU-571	1	x	x
64-1	3014235200	PANEL CONTL *I AS	.	1	x	x
65	3013602800	LAMP F/R	AC 110~127V, 25W	2	2	2
	3013602500		AC 220~240V, 25W			
66	3015510800	WINDOW R LAMP	MIPS	1	1	1
67	3017842821	SHELF INMOLDING R A AS	FRAME+PRINTED GLASS	2	2	2
68	3017842500	SHELF WINE	GPPS	Option		
69	3012514511	GUIDE CASE A *L AS	HIPS	1	1	Option
70	3011185701	CASE CHILD	FRU-571, CRYSTAL	1	1	
	3011185711		FRU-571, BLUE			
71	3012514611	GUDIE CASE A *R AS	HIPS	1	1	Option
72	3017843321	SHELF INMOLDING R C AS	FRAME+PRINTED GLASS	1	1	
73	3012514512	GUIDE CASE A *L AS	FR-S580EG(PP)	1	1	1
75	3012514612	GUIDE CASE A *R AS	FR-S580EG(PP)	1	1	1
76	3017842921	SHELF INMOLDING R B AS	FRAME+PRINTED GLASS	1	1	1
77	3011114670	CASE VEGETB B AS	FRU-571, CRYSTAL	1	1	1
	3011114630		FRU-571, BLUE			
78	3011476011	COVER RETURN DUCT AS	FRU-571I	1	1	1
79	3011446700	COVER VEGETB CASE B	GPPS	1	1	1
80	3012529712	GUIDE CASE C *L AS	PP	1	1	1
81	3011114770	CASE VEGETB C AS	FRU-571, CRYSTAL	1	1	1
	3011114730		FRU-571, BLUE			
82	3012529812	GUIDE CASE C *R AS	PP	1	1	1
85	3018124000	SWITCH DR	SP201R-7DR(R-134a)	1	1	1
	3018128500		SPF101B-2D(R-600a)			
86	3011171310	CASE EGG AS	CASE+VINYL	1	1	1
87	3018201000	TANK WATER AS	FRU-541D	x	x	1

* Magic Room (Option Parts)

88	3010543121	BOX CHANGE RM AS	FRU-541E/G (BLUE)	x	1
	3010543131		FRU-541E/G (CRYSTAL)		
88-1	3014806800	SENSOR M AS	PBN-43B		1
88-2	3010551000	BOX CONTL CHANGE RM AS	FRU-541E/G		1
88-3	3011115021	CASE CHANGE RM AS	FRU-541E/G (BLUE)		1
	3011115031		FRU-541E/G (CRYSTAL)		1
89	3012529500	GUDIE CHANGE RM *L	ABS		1
90	3012529600	GUDIE CHANGE RM *R	ABS		1

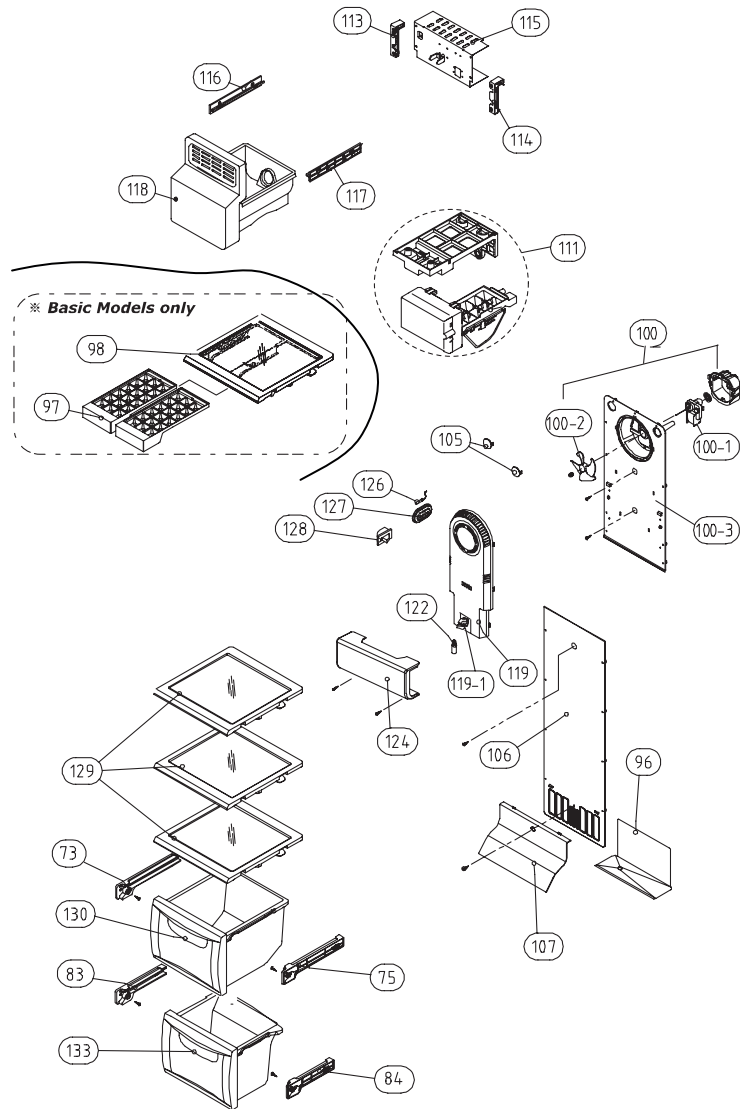
Type 2 : Refrigerator Case 3 ea



NO	PART-CODE	PART NAME	SPEC.	Q'ty		
				Inner Basic	Basic	Dispenser
61	3012205001	FRAME CHECK VALVE AS	FR-S580CG	1	1	1
62	3012024200	FIXTURE MOTR AS	.	1	1	1
62-1	3015916000	MOTOR R FAN	D4612AAA20	1	1	1
62-2	3011835410	FAN R	PP OD3.17XD95	1	1	1
63	3011495100	COVER DAMP AS	FRU-541D	x	1	1
63-1	3014807100	SENSOR R AS	PBN-43B	1	1	1
64	3011492800	COVER DAMP AS	FRU-571	1	x	x
64-1	3014235200	PANEL CONTL *I AS	.	1	x	x
65	3013602800	LAMP F/R	AC 110~127V, 25W	2	2	2
	3013602500		AC 220~240V, 25W			
66	3015510800	WINDOW R LAMP	MIPS	1	1	1
67	3017842821	SHELF INMOLDING R A AS	FRAME+PRINTED GLASS	2	2	2
68	3017842500	SHELF WINE	GPPS	Option		
69	3012514511	GUIDE CASE A *L AS	HIPS	1	1	x
70	3011185701	CASE CHILD	FRU-571, CRYSTAL	1	1	
	3011185711		FRU-571, BLUE			
71	3012514611	GUIDIE CASE A *R AS	HIPS	1	1	
72	3017843321	SHELF INMOLDING R C AS	FRAME+PRINTED GLASS	1	1	x
73	3012514512	GUIDE CASE A *L AS	FR-S580EG(PP)	1	1	2
74	3011109250	CASE VEGETB A AS	FRU-541, CRYSTAL	x		
	3011109230	CASE VEGETB A AS	FRU-541, BLUE			
75	3012514612	GUIDE CASE A *R AS	FR-S580EG(PP)	1	1	2
76	3017842921	SHELF INMOLDING R B AS	FRAME+PRINTED GLASS	1	1	1
77	3011114670	CASE VEGETB B AS	FRU-571, CRYSTAL	1	1	1
	3011114630	CASE VEGETB B AS	FRU-571, BLUE			
78	3011476011	COVER RETURN DUCT AS	FRU-571I	1	1	1
79	3011446700	COVER VEGETB CASE B	GPPS	1	1	1
80	3012529712	GUIDE CASE C *L AS	PP	1	1	1
81	3011114770	CASE VEGETB C AS	FRU-571, CRYSTAL	1	1	1
	3011114730		FRU-571, BLUE			
82	3012529812	GUIDE CASE C *R AS	PP	1	1	1
85	3018124000	SWITCH DR	SP201R-7DR(R-134a)	1	1	1
	3018128500		SPF101B-2D(R-600a)			
86	3011171310	CASE EGG AS	CASE+VINYL	1	1	1
87	3018201000	TANK WATER AS	FRU-541D	x	x	1

* Magic Room (Option Parts)

88	3010543121	BOX CHANGE RM AS	FRU-541E/G (BLUE)	x		1	
	3010543131		FRU-541E/G (CRYSTAL)				
88-1	3014806800	SENSOR M AS	PBN-43B				1
88-2	3010551000	BOX CONTL CHANGE RM AS	FRU-541E/G				1
88-3	3011115021	CASE CHANGE RM AS	FRU-541E/G (BLUE)				1
	3011115031		FRU-541E/G (CRYSTAL)				
89	3012529500	GUIDIE CHANGE RM *L	ABS				1
90	3012529600	GUIDIE CHANGE RM *R	ABS				1

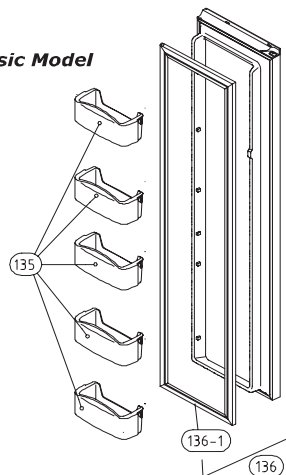


NO	PART-CODE	PART NAME	SPEC.	Q'ty	
				Basic	Dispenser
73	3012514512	GUIDE CASE A *L AS	FR-S580EG(PP)	1	1
75	3012514612	GUDIE CASE A *R AS	FR-S580EG(PP)	1	1
83	3012529712	GUIDE CASE C *L AS	PP	1	1
84	3012529812	GUIDE CASE C *R AS	PP	1	1
96	3012529010	GUIDE DRN	EGI SCRAP T0.4*W248*L140	1	1
97	3011186310	CASE ICE	PP+PRINT	2	x
98	3017842710	SHELF F ICE AS	FRAME+PRINTED GLASS+FIXTURE	1	x
100	3018921710	LOUVER F A AS	FRU-571I	1	1
100-1	3015915900	MOTOR F FAN	D4612AAA21	1	1
100-2	3011834520	FAN	PP OD130	1	1
100-3	3018921300	LOUVER F A	ABS	1	1
105	3010924600	CAP F LOUVER	HIPS T2.3	2	1
106	3018921501	LOUVER F B AS	HIPS	1	1
107	3011443200	COVER F RETURN	HIPS	1	1
111	3012205810	FRAME I/MAKER AS	FRU-541D	x	1
113	3012517800	GUIDE G/MOTR BRKT *L	ABS	x	1
114	3012517900	GUIDE G/MOTR BRKT *R	ABS	x	1
115	3010658230	BRACKET GEARED MOTR AS	110~127V/60Hz	x	1
	3010671510		220V/60HZ		
	3010671500		220-240V/50HZ		
116	3012520510	GUIDE ICE CRUSHER *L	ABS	x	1
117	3012517710	GUIDE ICE CRUSHER *R	ABS	x	1
118	3011115290	CASE I/CRUSHER AS	FRU-541D(NEW)	x	1
119	3001401750	COVER F FAN AS	FRU-571I	1	x
	3001401760		FRU-541/547/549/54B	x	1
119-1	3017906610	SOCKET F LAMP AS	FR-S570FRB	1	1
122	3013602800	LAMP F/R	AC 110~127V, 25W	1	1
	3013602500		AC 220~240V, 25W		
124	3015510700	WINDOW F LAMP	MIPS	1	1
126	3014807000	SENSOR F AS	PT-38	1	1
127	3011442600	COVER F SENSOR	ABS	1	1
128	3018128500	SWITCH DR	SPF101B-1D (R-600a)	1	1
	3018128500		SPF101B-1D (R-600a)	1	1
129	3017842600	SHELF F AS	PRINTED GLASS	3	3
130	3011114870	CASE F A AS	FRU-541, CRYSTAL	1	1
	3011114830		FRU-541, BLUE		
133	3011114970	CASE F B AS	FRU-541, CRYSTAL	1	1
	3011114930		FRU-541, BLUE		

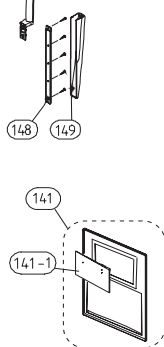
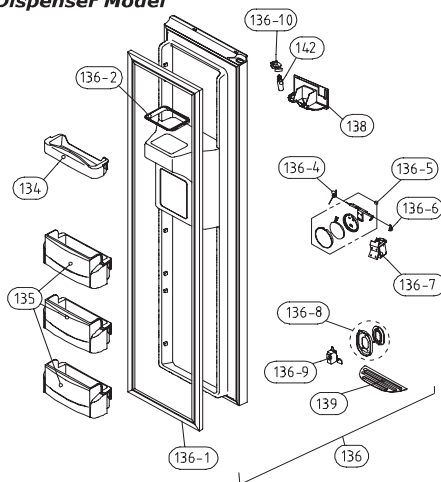
- Some parts can be chaged for improving their performance without notice.

Type 1 : U20*A* Door

※ Basic Model



※ Dispenser Model



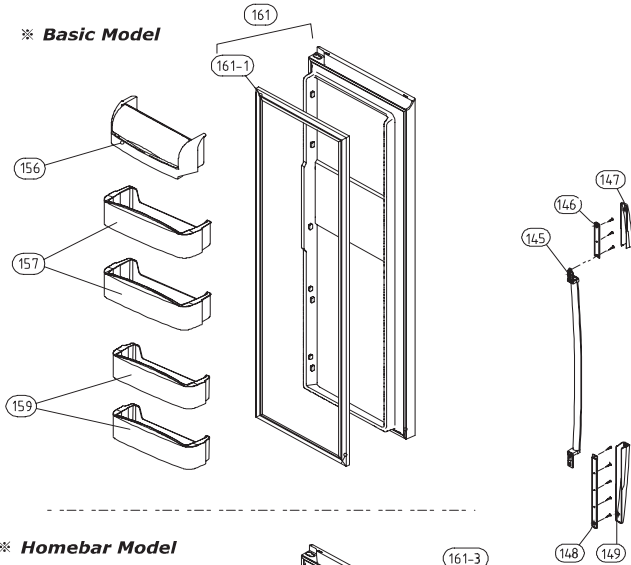
NO	PART-CODE	PART NAME	SPEC.	Q'ty	
				Inner Basic	Dispenser
134	3019026700	POCKET F *T	HIPS	X	1
135	3019026600	POCKET F	HIPS	5	X
	3019027401	POCKET F AS	FRU-541D	X	3
136	3000060400	ASSY F DR	FRU-571I	1	X
	3000060410		FRU-541D	X	1
136-1	3012318830	GASKET F DR AS	PVC+MAGNET	1	1
136-2	3010964601	CAP ICE PATH FRAME	PP(FRS-551F)	X	1
136-4	3015102200	SPRING ICE D LEVR	SUS	X	1
136-5	3011495300	COVER I/FLAP AS	FRU-541D	X	1
136-6	3012019700	FIXTURE I/SHUT LUVR	FR-S650CD	X	1
136-7	3015402100	VALVE SOL DISP	220V 60HZ	X	1
	3015403120		110~127V/60z		
	3015403000		220~240V/50Hz		
136-8	3016304941	BUTTON DISPNS AS	ABS+AL	X	1
136-9	3018125800	SWITCH MICRO	VP333A-2D	X	1
136-10	3017903702	SOCKET LAMP AS	-	X	1
138	3010544000	BOX DISPNS ICE SHUT AS	FRU-541D	X	1
139	3012406900	GRILLE DISPNS	ABS	X	1
141	3011494700	COVER DISPNS BOX AS	FRU-541D	X	1
141-1	30143D5160	PCB FRONT AS	FRU-541F	X	1
142	3013600050	LAMP AS	110~127V/15W	X	1
	3013600020		220~240V/15W		
145	3012641500	HANDLE AS	FRU-571I	1	1
146	3010339500	BASE HANDLE *T	HIPS	1	1
147	3011446400	COVER HNDLDECO *T	ABS+SPRAY	1	1
148	3010339600	BASE HANDLE *U	HIPS	1	1
149	3011446500	COVER HNDLDECO *U	ABS+SPRAY	1	1

- Some parts can be changed for improving their performance without notice.

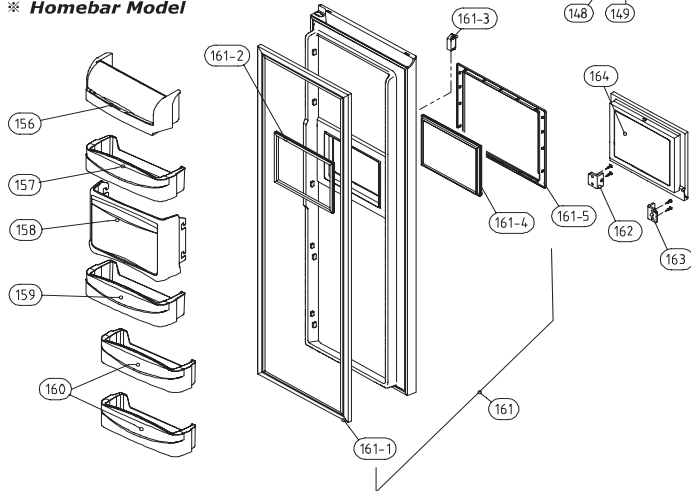
Date	Amendment Note

Type 1 : U20*A* Door

※ Basic Model



※ Homebar Model



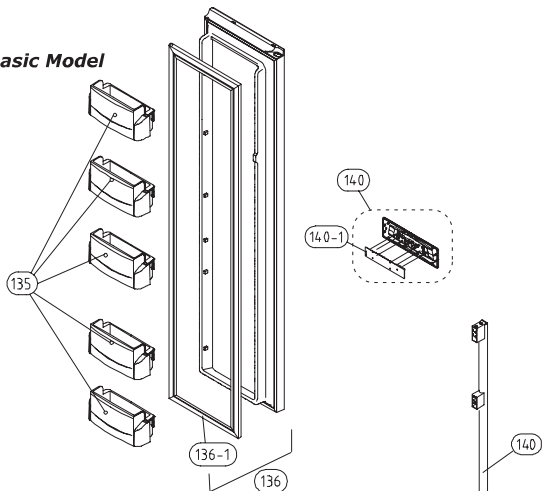
NO	PART-CODE	PART NAME	SPEC.	Q'ty	
				Basic	H/Bar
145	3012641500	HANDLE AS	FRU-571I	1	1
146	3010339500	BASE HANDLE *T	HIPS	1	1
147	3011446400	COVER HNDLDECO *T	ABS+SPRAY	2	1
148	3010339600	BASE HANDLE *U	HIPS	x	1
149	3011446500	COVER HNDLDECO *U	ABS+SPRAY	1	1
156	3019027500	POCKET DAIRY AS	FRU-571I	1	1
157	3019026800	POCKET R	FRU-571I	2	x
	3019027200	POCKET R *M AS	FRU-541D	x	1
158	3011187000	CASE H/BAR AS	FRU-541F	x	1
159	3019027700	POCKET R H/BAR AS	FRU-541F	x	1
160	3019026900	POCKET R *S	FRU-571I	2	x
	3019027300	POCKET R *S AS	FRU-541D	x	2
161	300060500	ASSY R DR	FRU-571I	1	x
	300060510		FRU-541F	x	1
161-1	3012318930	GASKET R DR AS	PVC+MAGNET	1	1
161-2	3012319300	GASKET H/BAR B AS	PVC	x	1
161-3	3018125601	SWITCH H/BAR DR AS	SP101B-2D1(G) GRAY	x	1
161-4	3012319400	GASKET H/BAR A AS	PVC	x	1
161-5	3011497210	COVER H/BAR FRAME	FRU-543F, ABS+SPRAY	x	1
162	3015204500	STOPPER H/BAR DR *R	PO T4.0	x	1
163	3015204400	STOPPER H/BAR DR *L	PO T4.0	x	1
164	3011767921	DOOR H/BAR AS	FRU-541F/SPRAY+AL	x	1

- Some parts can be changed for improving their performance without notice.

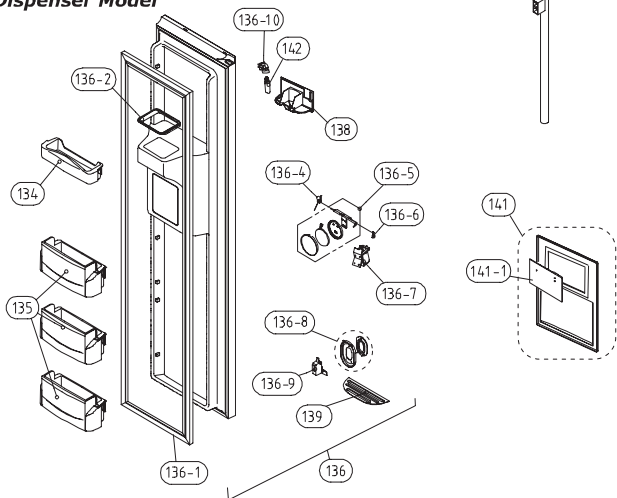
Date	Amendment Note

Type 2 : U20*B* Door

※ Basic Model



※ Dispenser Model



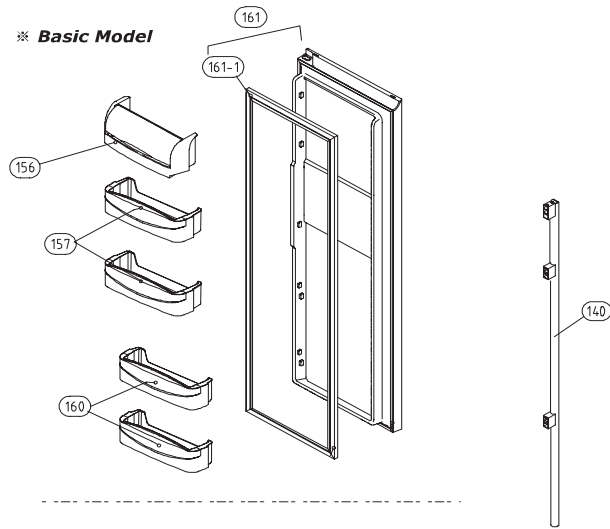
NO	PART-CODE	PART NAME	SPEC.	Q'ty		
				Inner Basic	Basic	Dispenser
134	3019026700	POCKET F *T	HIPS	X	X	1
135	3019027401	POCKET F AS	FRU-541D	5	5	3
136	3000067620	ASSY F DR	FRU-577I	1	X	X
	3000067670		FRU-577B	X	1	X
	3000067690		FRU-547D	X	X	1
136-1	3012318830	GASKET F DR AS	PVC+MAGNET	1	1	1
136-2	3010964601	CAP ICE PATH FRAME	PP(FRS-551F)	X	X	1
136-4	3015102200	SPRING ICE D LEVR	SUS	X	X	1
136-5	3011495300	COVER I/FLAP AS	FRU-541D	X	X	1
136-6	3012019700	FIXTURE I/SHUT LUVR	FR-S650CD	X	X	1
136-7	3015402100	VALVE SOL DISP	220V 60HZ	X		1
	3015403120		110~127V/60z			
	3015403000		220~240V/50Hz			
136-8	3016304941	BUTTON DISPNS AS	ABS+AL	X	X	1
136-9	3018125800	SWITCH MICRO	VP333A-2D	X	X	1
136-10	3017903702	SOCKET LAMP AS	-	X	X	1
138	3010544000	BOX DISPNS ICE SHUT AS	FRU-541D	X	X	1
139	3012406900	GRILLE DISPNS	ABS	X	X	1
140	3012645300	HANDLE BAR AS	FRU-547F/SPRAY	1	1	1
141	3001401040	COVER F PCB AS	EXPORT(FRU-579B/H)	X	1	X
	3011494700	COVER DISPNS BOX AS	FRU-541D	X	X	1
141-1	30143E1110	PCB FRONT AS	FR-S570ERB	X	1	X
	30143D5160		FRU-541F	X	X	1
142	3013600050	LAMP AS	110~127V/15W	X	X	1
	3013600020		220~240V/15W			

- Some parts can be chaged for improving their performance without notice.

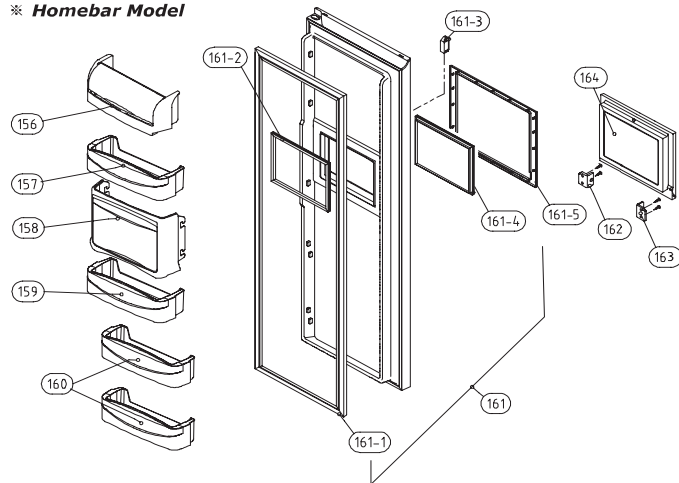
Date	A mendment Note

Type 2 : U20*B* Door

※ Basic Model



※ Homebar Model



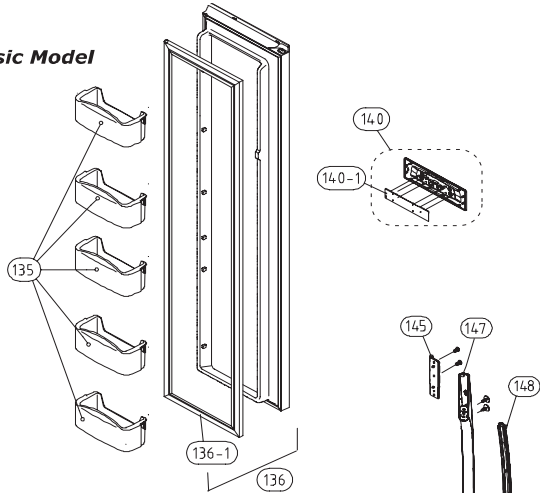
NO	PART-CODE	PART NAME	SPEC.	Q'ty	
				Basic	H/Bar
140	3012645300	HANDLE BAR AS	FRU-547F/SPRAY	1	1
156	3019027500	POCKET DAIRY AS	FRU-571I	1	1
157	3019027200	POCKET R *M AS	FRU-541D	2	1
158	3011187000	CASE H/BAR AS	FRU-541F	x	1
159	3019027700	POCKET R H/BAR AS	FRU-541F	x	1
160	3019027300	POCKET R *S AS	FRU-541D	x	2
161	3000060720	ASSY R DR	FRU-547D	1	x
	3000060730		FRU-547F	x	1
161-1	3012318930	GASKET R DR AS	PVC+MAGNET	1	1
161-2	3012319300	GASKET H/BAR B AS	PVC	x	1
161-3	3018125601	SWITCH H/BAR DR AS	SP101B-2D1(G) GRAY	x	1
161-4	3012319400	GASKET H/BAR A AS	PVC	x	1
161-5	3011497210	COVER H/BAR FRAME	FRU-543F, ABS+SPRAY	x	1
162	3015204500	STOPPER H/BAR DR *R	PO T4.0	x	1
163	3015204400	STOPPER H/BAR DR *L	PO T4.0	x	1
164	3011767921	DOOR H/BAR AS	FRU-541F/SPRAY+AL	x	1

- Some parts can be chaged for improving their perfomance without notice.

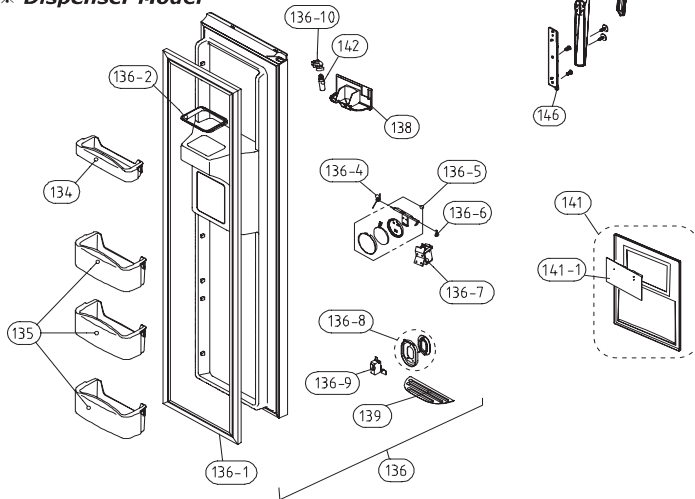
Date	A mendment Note

Type 3 : U20°C* Door

※ Basic Model



※ Dispenser Model



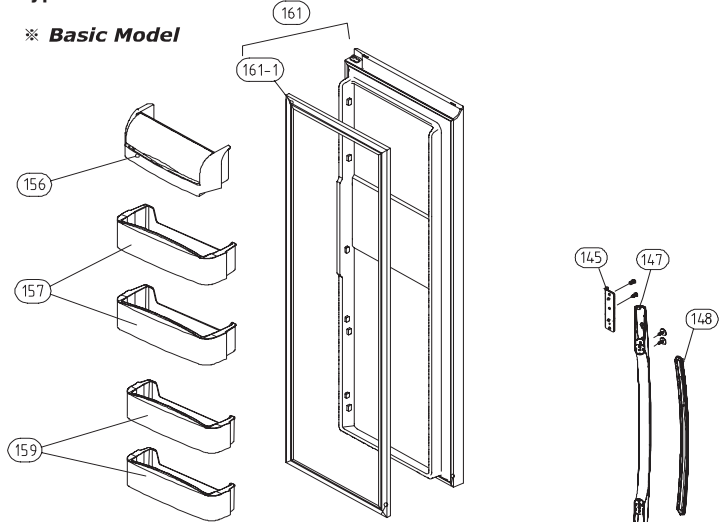
NO	PART-CODE	PART NAME	SPEC.	Q'ty		
				Inner Basic	Basic	Dispenser
134	3019026700	POCKET F *T	HIPS	X	X	1
135	3019026600	POCKET F	HIPS	X	X	3
	3019027401	POCKET F AS	FRU-541D	5	5	3
136	3000067640	ASSY F DR	FRU-579B	1	X	X
	3000060470		FRU-549F	X	1	X
	3000060610			X	X	1
136-1	3012318830	GASKET F DR AS	PVC+MAGNET	1	1	1
136-2	3010964601	CAP ICE PATH FRAME	PP(FRS-551F)	X	X	1
136-4	3015102200	SPRING ICE D LEVR	SUS	X	X	1
136-5	3011495300	COVER I/FLAP AS	FRU-541D	X	X	1
136-6	3012019700	FIXTURE I/SHUT LUVR	FR-S650CD	X	X	1
136-7	3015402100	VALVE SOL DISP	220V 60HZ	X		1
	3015403120		110~127V/60z			
	3015403000		220~240V/50Hz			
136-8	3016304941	BUTTON DISPNS AS	ABS+AL	X	X	1
136-9	3018125800	SWITCH MICRO	VP333A-2D	X	X	1
136-10	3017903702	SOCKET LAMP AS	-	X	X	1
138	3010544000	BOX DISPNS ICE SHUT AS	FRU-541D	X	X	1
139	3012406900	GRILLE DISPNS	ABS	X	X	1
141	3001401040	COVER F PCB AS	EXPORT(FRU-579B/H)	X	1	X
	3011494700	COVER DISPNS BOX AS	FRU-541D	X	X	1
141-1	30143E1110	PCB FRONT AS	FR-S570ERB	X	1	X
	30143D5160		FRU-541F	X	X	1
142	3013600050	LAMP AS	110~127V/15W	X	X	1
	3013600020		220~240V/15W			
145	3010339100	BASE HNDL *T	HIPS	1	1	1
146	3010339200	BASE HNDL *U	HIPS	1	1	1
147	3012641000	HANDLE F/R AS	FR-S580DYB	1	1	1
148	3011636030	DECO HANDL F/R	ABS(SPRAY)	1	1	1

- Some parts can be chaged for improving their performace without notice.

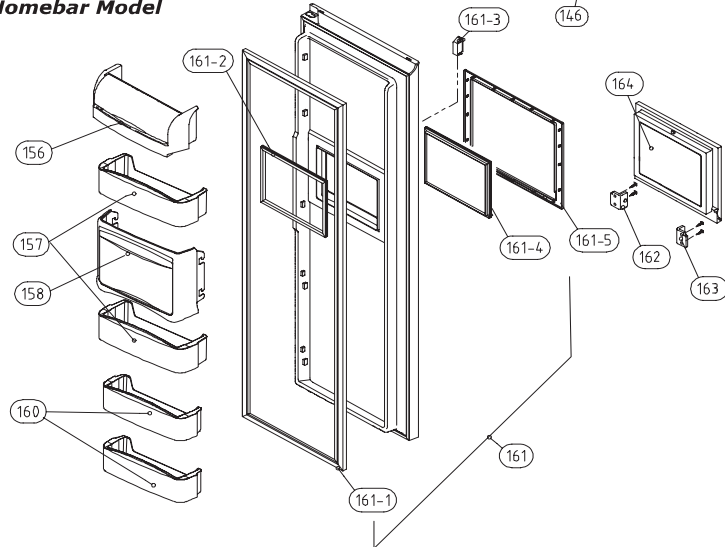
Date	A mendment Note

Type 3 : U20*C* Door

※ **Basic Model**



※ **Homebar Model**



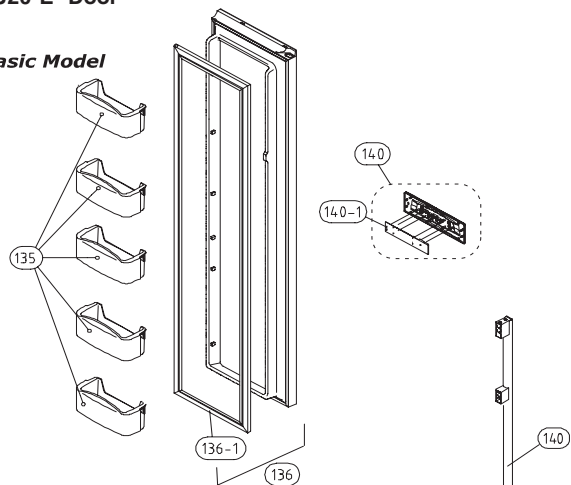
NO	PART-CODE	PART NAME	SPEC.	Q'ty	
				Basic	H/Bar
145	3010339100	BASE HNDL *T	HIPS	1	1
146	3010339200	BASE HNDL *U	HIPS	1	1
147	3012641000	HANDLE F/R AS	FR-S580DYB	1	1
148	3011636030	DECO HANDL F/R	ABS(SPRAY)	1	1
156	3019027500	POCKET DAIRY AS	FRU-571I	1	1
157	3019026800	POCKET R	HIPS	2	2
158	3011187000	CASE H/BAR AS	FRU-541F	x	1
160	3019026900	POCKET R *S	FRU-571I	2	2
161	3000060540	ASSY R DR	FRU-579B	1	x
	3000060710		FRU-549F	x	1
161-1	3012318930	GASKET R DR AS	PVC+MAGNET	1	1
161-2	3012319300	GASKET H/BAR B AS	PVC	x	1
161-3	3018125601	SWITCH H/BAR DR AS	SP101B-2D1(G) GRAY	x	1
161-4	3012319400	GASKET H/BAR A AS	PVC	x	1
161-5	3011497210	COVER H/BAR FRAME	FRU-543F, ABS+SPRAY	x	1
162	3015204500	STOPPER H/BAR DR *R	PO T4.0	x	1
163	3015204400	STOPPER H/BAR DR *L	PO T4.0	x	1
164	3011767921	DOOR H/BAR AS	FRU-541F/SPRAY+AL	x	1

- Some parts can be chaged for improving their perfomance without notice.

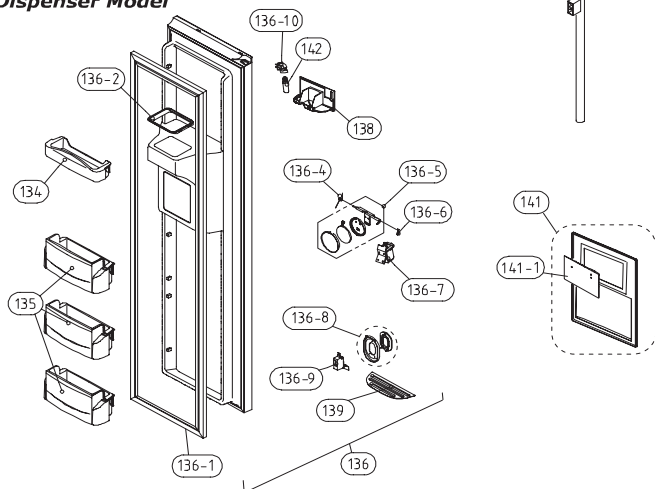
Date	Amendment Note

Type 4 : U20*E* Door

※ Basic Model



※ Dispenser Model



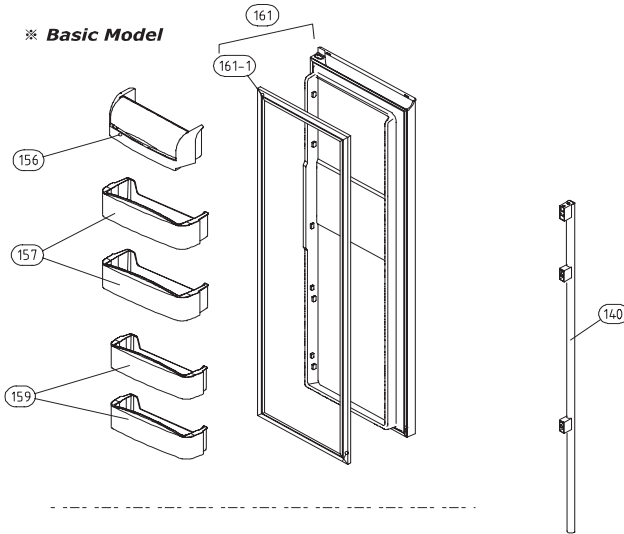
NO	PART-CODE	PART NAME	SPEC.	Q'ty		
				Inner Basic	Basic	Dispenser
134	3019026700	POCKET F *T	HIPS	X	X	1
135	3019026600	POCKET F	HIPS	5	5	X
	3019027401	POCKET F AS	FRU-541D	X	X	3
136	3000067620	ASSY F DR	FRU-577I	1	X	X
	3000067670		FRU-577B	X	1	X
	3000067690		FRU-547D	X	X	1
136-1	3012318830	GASKET F DR AS	PVC+MAGNET	1	1	1
136-2	3010964601	CAP ICE PATH FRAME	PP(FRS-551F)	X	X	1
136-4	3015102200	SPRING ICE D LEVR	SUS	X	X	1
136-5	3011495300	COVER I/FLAP AS	FRU-541D	X	X	1
136-6	3012019700	FIXTURE I/SHUT LUVR	FR-S650CD	X	X	1
136-7	3015402100	VALVE SOL DISP	220V 60HZ	X		1
	3015403120		110~127V/60z			
	3015403000		220~240V/50Hz			
136-8	3016304941	BUTTON DISPNS AS	ABS+AL	X	X	1
136-9	3018125800	SWITCH MICRO	VP333A-2D	X	X	1
136-10	3017903702	SOCKET LAMP AS	-	X	X	1
138	3010544000	BOX DISPNS ICE SHUT AS	FRU-541D	X	X	1
139	3012406900	GRILLE DISPNS	ABS	X	X	1
140	3012645300	HANDLE BAR AS	FRU-547F/SPRAY	1	1	1
141	3001401040	COVER F PCB AS	EXPORT(FRU-579B/H)	X	1	X
	3011494700	COVER DISPNS BOX AS	FRU-541D	X	X	1
141-1	30143E1110	PCB FRONT AS	FR-S570ERB	X	1	X
	30143D5160		FRU-541F	X	X	1
142	3013600050	LAMP AS	110~127V/15W	X	X	1
	3013600020		220~240V/15W			

- Some parts can be changed for improving their performance without notice.

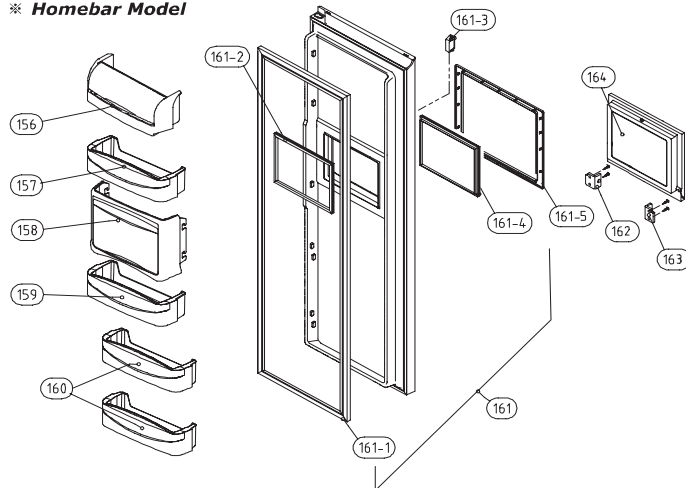
Date	Amendment Note

Type 4 : U20*E* Door

※ Basic Model



※ Homebar Model



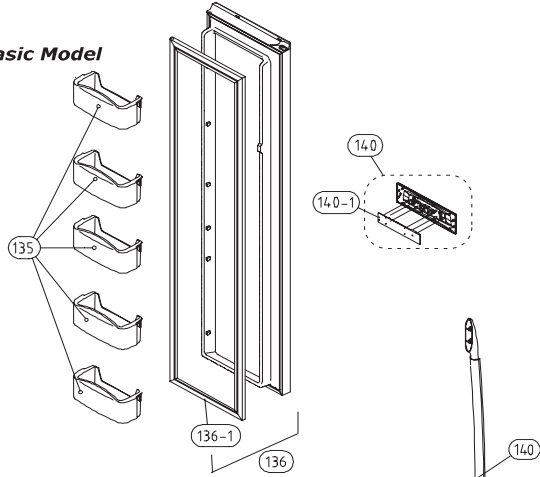
NO	PART-CODE	PART NAME	SPEC.	Q'ty	
				Basic	H/Bar
140	3012645300	HANDLE BAR AS	FRU-547F/SPRAY	1	1
156	3019027500	POCKET DAIRY AS	FRU-571I	1	1
157	3019026800	POCKET R	HIPS	2	x
	3019027200	POCKET R *M AS	FRU-541D	x	1
158	3011187000	CASE H/BAR AS	FRU-541F	x	1
159	3019027700	POCKET R H/BAR AS	FRU-541F	x	1
160	3019026900	POCKET R *S	FRU-571I	2	x
	3019027300	POCKET R *S AS	FRU-541D	x	2
161	3000060720	ASSY R DR	FRU-547D	1	x
	3000060730		FRU-547F	x	1
161-1	3012318930	GASKET R DR AS	PVC+MAGNET	1	1
161-2	3012319300	GASKET H/BAR B AS	PVC	x	1
161-3	3018125601	SWITCH H/BAR DR AS	SP101B-2D1(G) GRAY	x	1
161-4	3012319400	GASKET H/BAR A AS	PVC	x	1
161-5	3011497210	COVER H/BAR FRAME	FRU-543F, ABS+SPRAY	x	1
162	3015204500	STOPPER H/BAR DR *R	PO T4.0	x	1
163	3015204400	STOPPER H/BAR DR *L	PO T4.0	x	1
164	3011767921	DOOR H/BAR AS	FRU-541F/SPRAY+AL	x	1

- Some parts can be changed for improving their performance without notice.

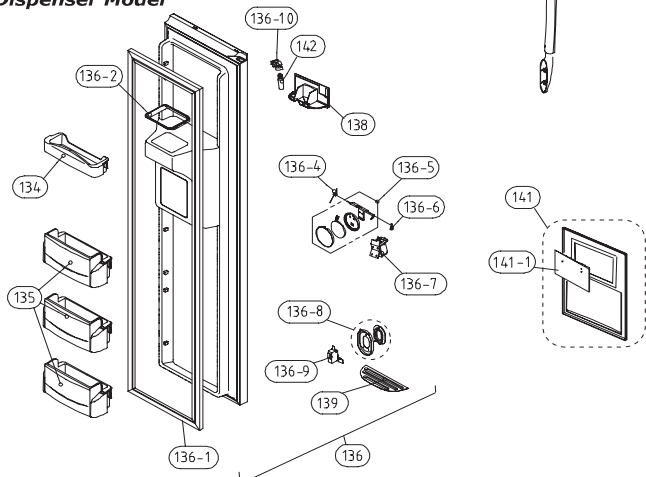
Date	Amendment Note

Type 5 : U20*G* Door

※ Basic Model



※ Dispenser Model



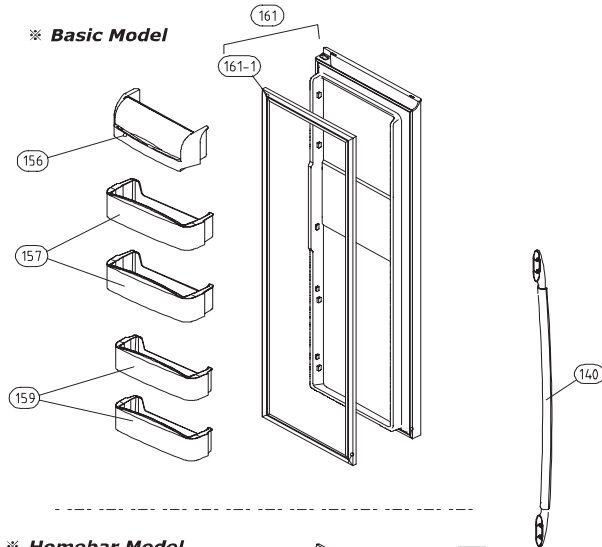
NO	PART-CODE	PART NAME	SPEC.	Q'ty		
				Inner Basic	Basic	Dispenser
134	3019026700	POCKET F *T	HIPS	X	X	1
135	3019026600	POCKET F	HIPS	5	5	X
	3019027401	POCKET F AS	FRU-541D	X	X	3
136	3000067620	ASSY F DR	FRU-577I	1	X	X
	3000067670		FRU-577B	X	1	X
	3000067690		FRU-547D	X	X	1
136-1	3012318830	GASKET F DR AS	PVC+MAGNET	1	1	1
136-2	3010964601	CAP ICE PATH FRAME	PP(FRS-551F)	X	X	1
136-4	3015102200	SPRING ICE D LEVR	SUS	X	X	1
136-5	3011495300	COVER I/FLAP AS	FRU-541D	X	X	1
136-6	3012019700	FIXTURE I/SHUT LUVR	FR-S650CD	X	X	1
136-7	3015402100	VALVE SOL DISP	220V 60HZ	X		1
	3015403120		110~127V/60z			
	3015403000		220~240V/50Hz			
136-8	3016304941	BUTTON DISPNS AS	ABS+AL	X	X	1
136-9	3018125800	SWITCH MICRO	VP333A-2D	X	X	1
136-10	3017903702	SOCKET LAMP AS	-	X	X	1
138	3010544000	BOX DISPNS ICE SHUT AS	FRU-541D	X	X	1
139	3012406900	GRILLE DISPNS	ABS	X	X	1
140	3012648701	HANDLE AS	ARC HANDLE(SANDING)	1	1	1
141	3001401040	COVER F PCB AS	EXPORT(FRU-579B/H)	X	1	X
	3011494700	COVER DISPNS BOX AS	FRU-541D	X	X	1
141-1	30143E1110	PCB FRONT AS	FR-S570ERB	X	1	X
	30143D5160		FRU-541F	X	X	1
142	3013600050	LAMP AS	110~127V/15W	X	X	1
	3013600020		220~240V/15W			

- Some parts can be chaged for improving their performance without notice.

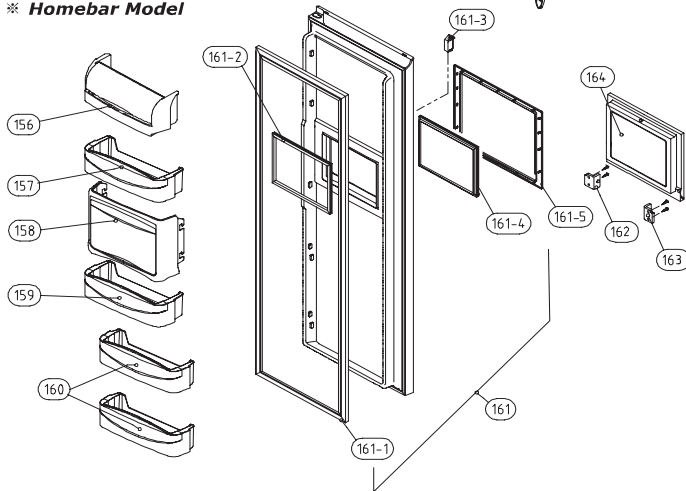
Date	A mendment Note

Type 5 : U20*G* Door

※ Basic Model



※ Homebar Model



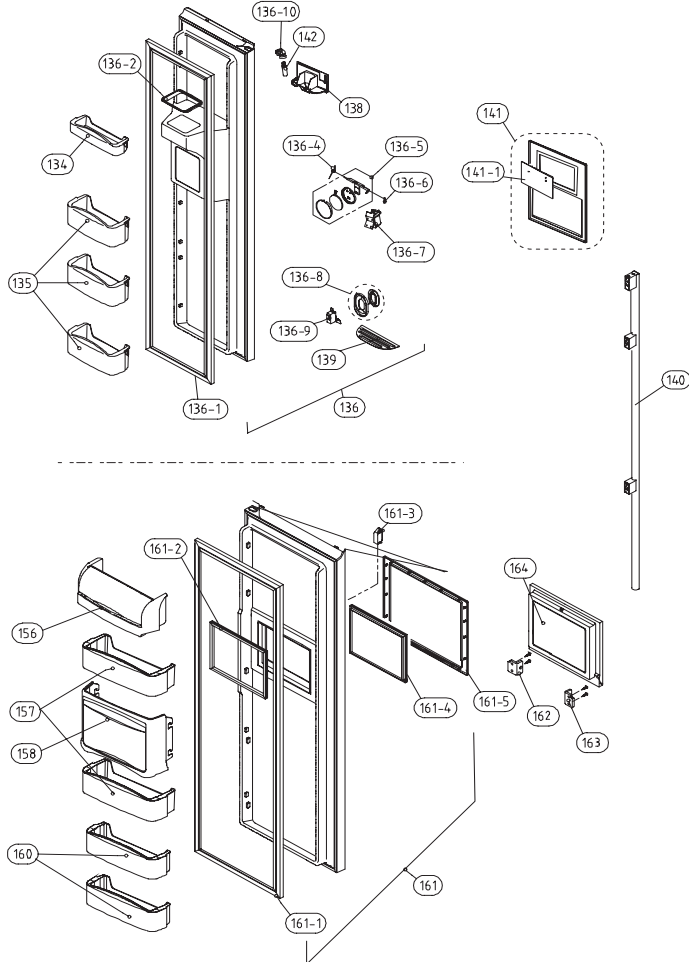
NO	PART-CODE	PART NAME	SPEC.	Q'ty	
				Basic	H/Bar
140	3012648701	HANDLE AS	ARC HANDLE(SANDING)	1	1
156	3019027500	POCKET DAIRY AS	FRU-571I	1	1
157	3019026800	POCKET R	HIPS	2	X
	3019027200	POCKET R *M AS	FRU-541D	X	1
158	3011187000	CASE H/BAR AS	FRU-541F	X	1
159	3019027700	POCKET R H/BAR AS	FRU-541F	X	1
160	3019026900	POCKET R *S	FRU-571I	2	X
	3019027300	POCKET R *S AS	FRU-541D	X	2
161	3000060720	ASSY R DR	FRU-547D	1	X
	3000060730		FRU-547F	X	1
161-1	3012318930	GASKET R DR AS	PVC+MAGNET	1	1
161-2	3012319300	GASKET H/BAR B AS	PVC	X	1
161-3	3018125601	SWITCH H/BAR DR AS	SP101B-2D1(G) GRAY	X	1
161-4	3012319400	GASKET H/BAR A AS	PVC	X	1
161-5	3011497210	COVER H/BAR FRAME	FRU-543F, ABS+SPRAY	X	1
162	3015204500	STOPPER H/BAR DR *R	PO T4.0	X	1
163	3015204400	STOPPER H/BAR DR *L	PO T4.0	X	1
164	3011767921	DOOR H/BAR AS	FRU-541F/SPRAY+AL	X	1

- Some parts can be changed for improving their performance without notice.

Date	Amendment Note

Type 6 : U20*L* Door

※ Dispenser Models Only



NO	PART-CODE	PART NAME	SPEC.	Q'ty	
				20DL../20EL..	20FL../20GL..
134	3019026700	POCKET F *T	HIPS	1	1
135	3019026600	POCKET F	HIPS	3	3
136	3000067690	ASSY F DOOR	FRU-547D	1	1
136-1	3012318830	GASKET F DR AS	PVC+MAGNET	1	1
136-2	3010964601	CAP ICE PATH FRAME	PP(FRS-551F)	1	1
136-4	3015102200	SPRING ICE D LEVR	SUS	1	1
136-5	3011495300	COVER I/FLAP AS	FRU-541D	1	1
136-6	3012019700	FIXTURE I/SHUT LUVR	FR-S650CD	1	1
136-7	3015402100	VALVE SOL DISP	220V 60HZ	1	1
	3015403120		110~127V/60z		
	3015403000		220~240V/50Hz		
136-8	3016304941	BUTTON DISPNS AS	ABS+AL	1	1
136-9	3018125800	SWITCH MICRO	VP333A-2D	1	1
136-10	3017903702	SOCKET LAMP AS	-	1	1
138	3010544000	BOX DISPNS ICE SHUT AS	FRU-541D	1	1
139	3012406900	GRILLE DISPNS	ABS	1	1
140	3012648701	HANDLE AS	ARC HANDLE(SANDING)	2	2
141	3011494700	COVER DISPNS BOX AS	FRU-541D	1	1
141-1	30143D5160	PCB FRONT AS	FRU-541F	1	1
142	3013600050 3013600020	LAMP AS	110~127V/15W	1	1
			220~240V/15W		
156	3019027500	POCKET DAIRY AS	FRU-571I	1	1
157	3019026800	POCKET R	HIPS	2	2
158	3011187000	CASE H/BAR AS	FRU-541F	X	1
160	3019026900	POCKET R *S	FRU-571I	2	2
161	3000060720 3000060730	ASSY R DR	FRU-547D	1	X
			FRU-547F	X	1
161-1	3012318930	GASKET R DR AS	PVC+MAGNET	1	1
161-2	3012319300	GASKET H/BAR B AS	PVC	X	1
161-3	3018125601	SWITCH H/BAR DR AS	SP101B-2D1(G) GRAY	X	1
161-4	3012319400	GASKET H/BAR A AS	PVC	X	1
161-5	3011497210	COVER H/BAR FRAME	FRU-543F, ABS+SPRAY	X	1
162	3015204500	STOPPER H/BAR DR *R	PO T4.0	X	1
163	3015204400	STOPPER H/BAR DR *L	PO T4.0	X	1
164	3011767921	DOOR H/BAR AS	FRU-541F/SPRAY+AL	X	1

- Some parts can be chaged for improving their performace without notice.