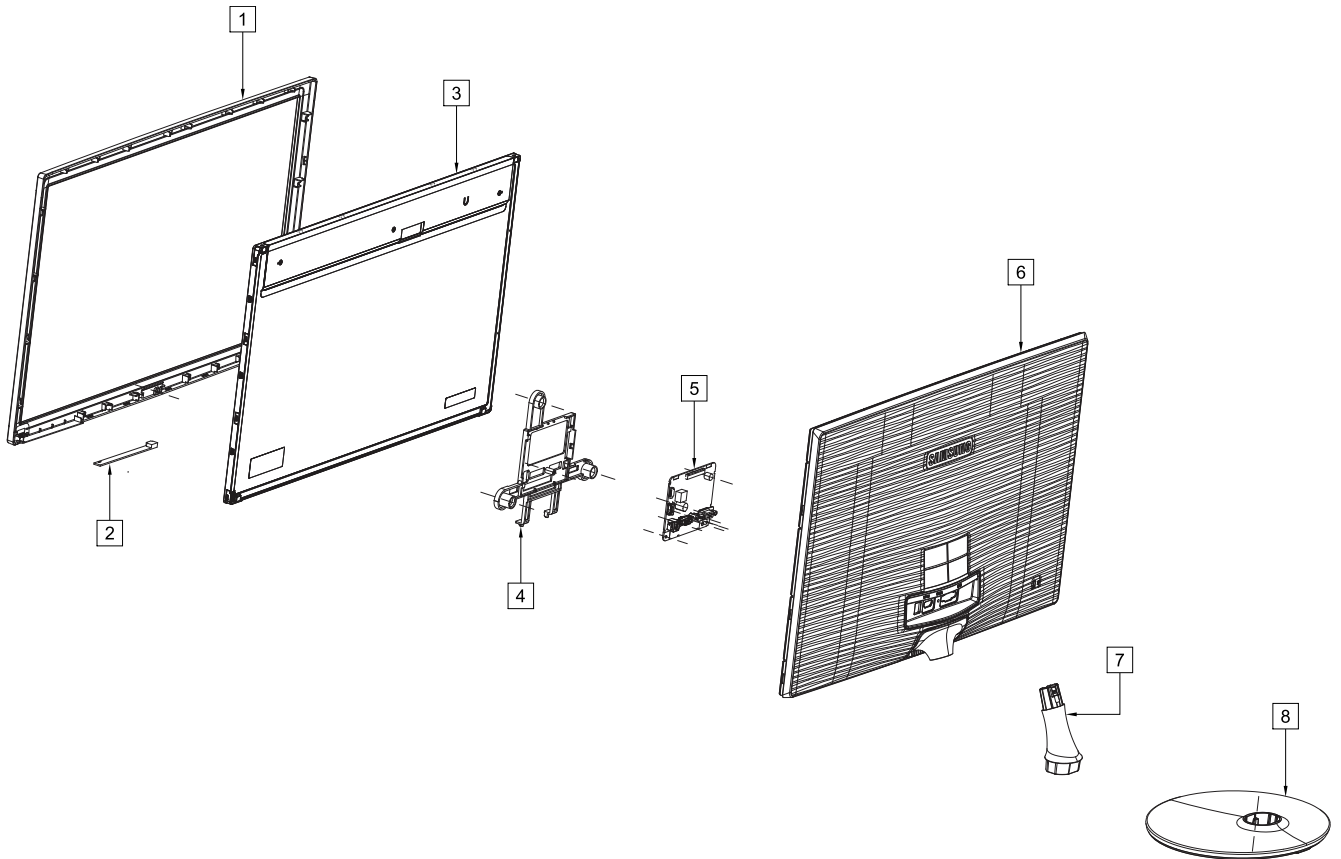


1. LS22D300HY/EN (AS04)

Exploded View



Parts List

No.	Lvl.	Loc.	Material Code	Description & Specification	SNA	Qty.
1	2	F001A	BN96-26526D	ASSY COVER P-FRONT; S22D300,ABS+PMMA,HB,B	SA	1
2	3	FB20A	BN96-21731B	ASSY BOARD P-TOUCH FUNCTION; SB300,CT5000	SA	1
3	2	PANEL	BN07-01286A	LCD-PANEL; M215HTN01.3,AU21528,6bit Hi_FR	SA	1
4	2	HDP01	BN61-10418C	HOLDER-PCB; SD300,HIPS,BK0007,HB,CHANGE C	SNA	1
5	2	M0014	BN94-07377F	ASSY PCB MAIN; S22D300HY,BN07-01286A	SA	1
6	2	R001A	BN96-26527L	ASSY COVER P-REAR; S22D300HY,HIPS,HB,BK00	SA	1
7	2	SB02A	BN96-12487A	ASSY STAND P-BODY,SIMPLE; PLUM 23,ABS+PMM	SA	1
8	2	SB04A	BN96-12486H	ASSY STAND P-BASE; SA300 19~20,ABS+PMMA H	SC	1

2. Electrical Parts List

Level	Loc.	Part Code	Description & Specification	Qty.	SA/SNA
			LS22D300HY/EN (AS04)		
1		BN90-05524A	ASSY COVER FRONT;S22D300,AUO	1	SNA
.2	F001A	BN96-26526D	ASSY COVER P-FRONT;S22D300,ABS+PMMA,HB,B	1	SA
...3	SCREW	6003-000282	SCREW-TAPTYPE;BH,+,-,B,M3,L8,ZPC(BLK),SW	1	SA
...3		BN61-08232A	GUIDE-PANEL;SB300 19W,SECC T1.0,7.1mm	1	SNA
...3	F001	BN63-07511T	COVER-FRONT;S22D300,ABS+PMMA,HB,BK0007,0	1	SNA
...3	AS080	BN63-11218B	SHEET-COVER;AMBER,PE,T0.08,W35mm,200M,CL	1	SNA
...3	AS080	BN63-11218C	SHEET-COVER;AMBER,PE,T0.08,W40mm,200M,CL	1	SNA
...3	AL093	BN67-00285A	LENS-LED;31SERIES,PC CLEAR,NTR,TP26	1	SNA
...4		0103-010103	RESIN PC;SC-1220R,WHITE,WT0025,V2	0	SNA
...3	FB20A	BN96-21731B	ASSY BOARD P-TOUCH FUNCTION;SB300,CT5000	1	SA
...4		BN94-03856X	ASSY PCB FUNCTION-BN96-21731B;SB300,BN96	1	SNA
....5	EC13	BN39-01442L	LEAD CONNECTOR;SB300,Falt Connector,UL10	1	SNA
....5		BN74-00152A	TAPE-FUNCTION;DOUBLE FACE TAPE,Polyester	1	SNA
....5		BN97-04708Q	ASSY SMD-BN96-21731B;SB300,BN96-21731B	1	SNA
.....6		0403-001339	DIODE-ZENER;UDZS6.2B,6.06-6.33V,200mW,SO	1	SA
.....6		0406-001253	DIODE-TVS;VESD05A1-02V,6.0/6.8/7.5V,SOD-	1	SNA
.....6	EL02	0601-002642	LED;SMD(SIDE VIEW),BLUE,475nm,3.8x1.0x0.	1	SNA
.....6	IS01	1209-002113	IC-SENSOR;CT1N08E(F),MLF,28P,4x4mm,1.15m	1	SNA
.....6		1405-001233	VARISTOR;50V,30Vdc,5A,1.6x0.8x0.8mm,TP,1	2	SA
.....6		2007-000139	R-CHIP;220ohm,5%,1/16W,TP,1005	6	SA
.....6		2007-000162	R-CHIP;100Kohm,5%,1/16W,TP,1005	1	SA
.....6		2007-000171	R-CHIP;0ohm,5%,1/16W,TP,1005	3	SA
.....6		2007-000242	R-CHIP;1.5Kohm,5%,1/16W,TP,1005	2	SNA
.....6	AD480	2203-006048	C-CER,CHIP;100nF,10%,10V,X7R,TP,1005	1	SA
.....6	AD480	2203-006399	C-CER,CHIP;1000nF,10%,6.3V,X5R,TP,1005	2	SA
.....6		3711-008081	CONNECTOR-HEADER;BOX,5P,1R,1.25mm,SMD-S,	1	SNA
.....6		BN41-01808A	PCB CONTROL;SB300,Func,FR-4,2,MP1.0,1.6,	1	SNA
1	R001A	BN90-05525F	ASSY COVER REAR;S22D300HY,AUO	1	SNA
.2	SCREW	6003-000275	SCREW-TAPTYPE;BH,+,-,B,M3,L10,ZPC(BLK),SWR	1	SA
.2	R001A	BN96-26527L	ASSY COVER P-REAR;S22D300HY,HIPS,HB,BK00	1	SA
...3	SCREW	6003-001001	SCREW-TAPTYPE;FH,+,-,B,M3,L8,ZPC(BLK),SW	1	SA
...3	SCREW	6003-001239	SCREW-TAPTYPE;FH,+,-,B,M4,L10,ZPC(WHT),SWR	2	SA
...3	T0060	BN61-05091A	SPRING ETC-STAND;ECOFIT 23",SK5,T0.3	1	SNA
...3		BN61-06702A	HOLDER-STAND;[LM] 50 SERIES,POM,WHITE,AC	1	SNA
...4		0103-009825	RESIN POM;TS-25A,Dark Gray,GY0199,HB	8	SNA
...3	ES02	BN61-06703A	SPRING ETC;[LM] 50 SERIES,SK5,0.6,BLACK	1	SNA
...3	SC05	BN63-07509A	COVER-STAND;[LM] 31 SERIES,ABS,HB,BK0007	1	SNA

Level	Loc.	Part Code	Description & Specification	Qty.	SA/SNA
..3	R001	BN63-10967L	COVER-REAR;S22D300HY,HIPS,HB,BK0007,AUO	1	SNA
...4		0103-004631	RESIN HIPS;HF-1690H,K21294,BK0007,1.5mm	560	SNA
..3		BN74-00031A	GREASE;SMART F & S FLC-512,GREASE,WHT	0	SNA
1	S001A	BN90-05526A	ASSY STAND;S22D300	1	SNA
.2	SB04A	BN96-12486H	ASSY STAND P-BASE;SA300 19~20,ABS+PMMA H	1	SC
..3	HOLDER STAND	BN61-07807A	HOLDER-STAND;SUM24L,SWCH18A	1	SA
..3		BN63-06315A	COVER-STAND BASE;PLUM 20,ABS+PMMA(SF-095	1	SNA
..3		BN67-00385E	RUBBER-FOOT;RUBBER-FOOT,SILICONE,ROUND,1	4	SNA
..3		BN68-02466T	LABEL-STICKER;[SA300] [20.1 DOWN],A/P,T0	1	SNA
..3		BN68-03048A	LABEL-WARNING;50SERIES,ALL,PE,T0.05,16,4	1	SNA
.2	SB02A	BN96-12487A	ASSY STAND P-BODY,SIMPLE;PLUM 23,ABS+PMM	1	SA
..3		BN61-05969A	STAND-BAR;PLUM 23,ABS+PMMA(SF-0950),BK23	1	SNA
...4		0103-005096	RESIN ABS PMMA;HAM 8560,98055,2.0mm HB	32	SNA
...4		BN61-05970A	STAND-BAR IN;PLUM 23,ABS+PMMA(SF-0950),B	1	SNA
....5		0103-005096	RESIN ABS PMMA;HAM 8560,98055,2.0mm HB	48	SNA
....5		BN61-02932E	BRACKET-STOPPER NUT;ECOFIT 20,M4,D7,L12,	1	SNA
..3	CCM1	BN63-02183D	SHEET-COVER;RhcM,PE,T0.05,680mm,200M,HB,	0	SNA
..3		BN68-02466C	LABEL-STICKER;PLUM,ALL,ART PAPER,50,20,S	1	SNA
1		BN91-08045G	ASSY LCD;LS22C170BS/XV,AS	1	SNA
.2	PANEL	BN07-01286A	LCD-PANEL;M215HTN01.3,AU21528,6bit Hi_FR	1	SA
1	M0017	BN91-12274T	ASSY CHASSIS;S22D300HY	1	SNA
.2	HDP01	BN61-10418C	HOLDER-PCB;SD300,HIPS,BK0007,HB,CHANGE C	1	SNA
..3		0103-004631	RESIN HIPS;HF-1690H,K21294,BK0007,1.5mm	30	SNA
.2		BN63-11079A	GASKET;SC150,Conductive Fabric,8.00.1m	1	SNA
.2	M0014	BN94-07377F	ASSY PCB MAIN;S22D300HY,BN07-01286A	1	SA
..3		0202-001608	SOLDER-WIRE FLUX;LFC7-107,D0.8,99.3Sn/0.	0	SNA
..3		BN97-08122L	ASSY SMD;S22D300HY,BN94-07377F	1	SNA
...4		0202-001830	SOLDER-CREAM;LFM-48W TM-HP,D20~38um,96.5	1	SNA
...4	DS01A	0401-001285	DIODE-SWITCHING;BAV756S,90V,250mA,SOT-36	1	SA
...4	DS01A	0401-001286	DIODE-SWITCHING;BAW56S,90V,250mA,SOT-363	1	SA
...4		0403-001180	DIODE-ZENER;BZX84C6V2,5.8-6.6V,350mW,SOT	1	SA
...4		0403-001411	DIODE-ZENER;5.49-5.73V,200mW,SOD-323,TP	1	SA
...4		0403-001416	DIODE-ZENER;MMSZ5227B,3.42-3.78V,500MW,S	1	SA
...4		0403-001712	DIODE-ZENER;QZX363C6V8,6.47/7.14V,200mW,	1	SNA
...4		0403-001783	DIODE-ZENER;BZB84-C6V2,5.8/6.6V,300mW,SO	3	SNA
...4		0404-001020	DIODE-SCHOTTKY;BAT54C,30V,200mA,SOT-23,T	1	SA
...4		0404-001595	DIODE-SCHOTTKY;B2100,100V,2000mA,SMB,TP	1	SA
...4		0501-000462	TR-SMALL SIGNAL;MMBT2907A,PNP,350mW,SOT-	2	SA
...4		0505-002560	FET-SILICON;AO6415,P,-20V,-3.3A,0.15ohm,	1	SA
...4		0505-003391	FET-SILICON;AOD2922,N,100V,8A,140Mohm,18	1	SA

Exploded Views and Parts List

Level	Loc.	Part Code	Description & Specification	Qty.	SA/SNA
...4		0505-003397	FET-SILICON;2N7002K,N,60V,380mA,1.19ohm,	4	SA
...4		1103-001500	IC-EEPROM;AT24C02C-SSHM-T,2Kbit,256x8,SO	2	SA
...4		1203-007628	IC-SWITCH VOL. REG.;BD93291EFJ,HTSOP-J8,	1	SNA
...4		1205-004604	IC-LCD CONTROLLER;SE1279L-MST,LQFP,128Z3	1	SNA
...4		1405-001271	VARISTOR;35V,20Vdc,5A,1.0x0.5x0.6mm,TP,1	1	SA
...4		2007-000052	R-CHIP;10Kohm,1%,1/10W,TP,1608	1	SA
...4		2007-000070	R-CHIP;0ohm,5%,1/10W,TP,1608	1	SA
...4		2007-000077	R-CHIP;470ohm,5%,1/10W,TP,1608	1	SA
...4		2007-000102	R-CHIP;100Kohm,5%,1/10W,TP,1608	4	SA
...4		2007-000109	R-CHIP;1Mohm,5%,1/10W,TP,1608	4	SA
...4		2007-000138	R-CHIP;100ohm,5%,1/16W,TP,1005	12	SA
...4		2007-000140	R-CHIP;1Kohm,5%,1/16W,TP,1005	5	SA
...4		2007-000141	R-CHIP;2.2Kohm,5%,1/16W,TP,1005	1	SA
...4		2007-000143	R-CHIP;4.7Kohm,5%,1/16W,TP,1005	10	SA
...4		2007-000148	R-CHIP;10Kohm,5%,1/16W,TP,1005	8	SA
...4		2007-000162	R-CHIP;100Kohm,5%,1/16W,TP,1005	2	SA
...4		2007-000172	R-CHIP;10ohm,5%,1/16W,TP,1005	12	SA
...4		2007-000173	R-CHIP;22ohm,5%,1/16W,TP,1005	1	SA
...4		2007-000491	R-CHIP;2.2Kohm,1%,1/10W,TP,1608	1	SA
...4		2007-000637	R-CHIP;270Kohm,5%,1/10W,TP,1608	1	SA
...4		2007-000932	R-CHIP;470ohm,5%,1/16W,TP,1005	1	SA
...4		2007-000939	R-CHIP;47Kohm,1%,1/10W,TP,1608	2	SA
...4		2007-000962	R-CHIP;5.1Kohm,1%,1/10W,TP,1608	1	SA
...4		2007-001125	R-CHIP;68Kohm,1%,1/10W,TP,1608	1	SA
...4		2007-001135	R-CHIP;68ohm,5%,1/4W,TP,3216	2	SA
...4		2007-002970	R-CHIP;56ohm,5%,1/16W,TP,1005	5	SA
...4		2007-007139	R-CHIP;47Kohm,1%,1/16W,TP,1005	1	SNA
...4		2007-007847	R-CHIP;16Kohm,1%,1/10W,TP,1608	1	SA
...4		2007-008015	R-CHIP;75ohm,1%,1/16W,TP,1005	3	SA
...4		2007-008596	R-CHIP;0.1ohm,1%,1/4W,TP,3216	3	SA
...4	AD480	2203-000233	C-CER,CHIP;0.1nF,5%,50V,C0G,TP,1005	1	SA
...4	AD480	2203-000236	C-CER,CHIP;0.1nF,5%,50V,C0G,TP,1608	1	SA
...4	AD480	2203-000386	C-CER,CHIP;0.015nF,5%,50V,C0G,TP,1005	1	SA
...4	AD480	2203-000438	C-CER,CHIP;1nF,10%,50V,X7R,TP,1005	2	SA
...4	AD480	2203-000440	C-CER,CHIP;1nF,10%,50V,X7R,TP,1608	1	SA
...4	AD480	2203-000626	C-CER,CHIP;0.022nF,5%,50V,C0G,TP,1608	7	SA
...4	AD480	2203-001126	C-CER,CHIP;0.68nF,10%,50V,X7R,TP,1608	1	SA
...4	AD480	2203-001634	C-CER,CHIP;33nF,10%,50V,X7R,TP,1608	1	SA
...4	AD480	2203-005249	C-CER,CHIP;100nF,10%,50V,X7R,TP,1608	1	SA
...4	AD480	2203-006126	C-CER,CHIP;47nF,10%,16V,X7R,TP,1005	6	SNA

Level	Loc.	Part Code	Description & Specification	Qty.	SA/SNA
...4	AD480	2203-006158	C-CER,CHIP;100nF,10%,16V,X7R,TP,1005,0.5	19	SA
...4	AD480	2203-006562	C-CER,CHIP;1000nF,10%,10V,X5R,TP,1005	3	SNA
...4	AD480	2203-006824	C-CER,CHIP;4700nF,10%,10V,X5R,TP,1608	1	SNA
...4	AD480	2203-006890	C-CER,CHIP;10000nF,20%,6.3V,X5R,TP,1608	4	SNA
...4	AD480	2203-007176	C-CER,CHIP;10000nF,10%,16V,X5R,TP,2012,1	8	SNA
...4	AD480	2203-007240	C-CER,CHIP;22000nF,20%,6.3V,X5R,TP,1608,	2	SA
...4	AD480	2203-007513	C-CER,CHIP;10000nF,10%,10V,X5R,TP,1608,0	10	SA
...4	AD480	2203-008412	C-CER,CHIP;4700nF,10%,50V,X5R,TP,2012,1.	4	SNA
...4		2402-001268	C-AL,SMD;100uF,20%,25V,WT,TP,8x6.3mm	2	SA
...4		2703-002722	INDUCTOR-SMD;22uH,20%,12x12mm,0.036ohm,4	1	SA
...4		2703-003343	INDUCTOR-SMD;2.2uH,20%,2520,0.104Ohm,130	1	SNA
...4		2703-003932	INDUCTOR-SMD;22uH,20%,8080,0.075ohm,2500	1	SNA
...4		2801-003667	CRYSTAL-SMD;14.31818MHz,30ppm,28-AAN,16p	1	SA
...4		3301-000314	BEAD-SMD;120ohm,1608,TP,120ohm/100MHz	2	SA
...4		3301-001404	BEAD-SMD;30ohm,2012,TP,15.9OHM/30MHz	10	SA
...4		3701-001878	CONNECTOR-DSUB;15P,3ROW,FEMALE,STRAIGHT,	1	SNA
...4		3701-001905	CONNECTOR-HDMI;19P,A,FEMALE,AU,0.5mm,BLK	1	SA
...4		3708-001150	CONNECTOR-FPC/FFC/PIC;30P,1mm,SMD-A,SN,Z	1	SA
...4	EH01	3711-005872	HEADER-BOARD TO CABLE;BOX,5P,1R,2.0mm,SM	1	SA
...4	EH01	3711-007838	HEADER-BOARD TO CABLE;BOX,6P,1R,1.25mm,S	1	SA
...4		3722-003322	JACK-DC POWER;4P,4PI,SN/PB,BLK	1	SA
...4		BN41-02118C	PCB MAIN;SD360,CEM-3,2,MP1.0,1.6,158*190	1	SNA
...4		BN97-07757X	ASSY MICOM;m-D3022HCLA-1001.0,2014.01.28	1	SNA
...5		1107-002233	IC-FLASH MEM. MODULE;GD25Q40BSIGY,4Mbit,	1	SA
1		BN91-12359G	ASSY SHIELD;LS22D300HY	1	SNA
.2		0203-001598	TAPE-FILAMENT;#8915,0.15,12,55000,CLR	0	SNA
.2	EC13	BN39-01476P	LEAD CONNECTOR;S22B370H S22B360H S22B560	1	SA
.2	FL06	BN96-29060U	ASSY CABLE P-FFC;S22C330HW,FFC,1H,2302	1	SA
1		BN92-11191B	ASSY LABEL;LS22C20KBS/EN	1	SNA
.2	CCM1	BN68-01570A	LABEL RATING;ALL,SS,PE,T0.05,90,45,Dark	1	SNA
1		BN92-14340T	ASSY BOX;S22D300HY	1	SNA
.2		BH68-00694B	LABEL BOX-00;ALL MODEL,MOJO 90G,WHT,Win8	1	SNA
.2		BN68-03920A	LABEL BOX;All Monitor,ART-PAPER 100G,WHT	1	SNA
.2		BN69-10076A	BOX-02,SET;S22D300HY 21.5",CB,A-01,SW2,E	1	SNA
1	ACCE1	BN92-15366K	ASSY ACCESSORY;S22D300HY	1	SNA
.2	P001A	BN44-00719A	DC VSS(A);A2514_DSM,14,1.786A,External,1	1	SC
.2		BN68-05845K	LABEL ENERGY;S22D300HY,AUSTRALIA,ART,4,W	1	SNA
.2	ACCE1	BN96-31745G	ASSY ACCESSORY;S24D300H	1	SNA
..3	T0268	3903-000382	CBF-POWER CORD;DT,EU,LP-21,250/250V,2.5/	1	SA
..3		6902-000110	BAG PE;LDPE,T0.05,W250,L400,TRP,2	1	SNA

Exploded Views and Parts List

Level	Loc.	Part Code	Description & Specification	Qty.	SA/SNA
..3		AA68-03576C	LEAFLET-02,CIS CALL CENTER;comm,Samsung,	1	SNA
..3	DSUB	BN39-00244L	CBF SIGNAL-D-SUB TO D-SUB;SD590,15P,1500	1	SA
..3		BN46-00382G	S/W DRIVER-01,IB;SD300B,W/W,W/W	1	SNA
..3		BN68-00226R	LEAFLET-07,WARRANTY CARD;comm,Samsung,15	1	SNA
..3	T0527	BN68-00513A	LABEL-E,PASS;ALL MODEL,YUPO(110G),BLACK,	1	SNA
..3		BN68-01925Z	LEAFLET-01,WARRANTY CARD;comm,CIS,W/P80G	1	SNA
..3		BN68-02462F	LABEL-STICKER;CIS,ART,T0.05,93,40,Monito	1	SNA
..3		BN68-03548D	LEAFLET-06,WARRANTY CARD;comm,Samsung,16	1	SNA
..3		BN68-04280A	LEAFLET-QSG;OFF TIMER FLYER,WW,Mojo 80g,	1	SNA
..3		BN68-04972D	LEAFLET-REGULATORY GUIDE;ALL,SAMSUNG,W/W	1	SNA
..3		BN68-05823S	LEAFLET-FICHE CARD;SD300 fiche card,Sync	1	SNA
..3		BN68-06634A	LEAFLET-01,QSG;SD300B europe,europe,mojo	1	SNA
1		BN92-15830A	ASSY P/MATERIAL;LS22D300NY/EN,DIRECT,Ver	1	SNA
.2		6902-001651	BAG ROLL;POLYESTER,MDPE ESD,T0.01,W550,L	1	SNA
.2		6902-001673	BAG ROLL;HDPE/PE FOAM,T0.01/T0.3,W450,L3	1	SNA
.2	T0527	BH68-40364A	LABEL-SUMMARY;G52,G72,ART,ART,WHT	1	SNA
.2	AS080	BN63-08890S	SHEET-COVER;LE37D550,PE,T2.0,1190,1020	1	SNA
.2		BN63-09096A	COVER-PALLET FOIL;32D550,PE,T0.03,2000,2	1	SNA
.2	T0527	BN68-00129A	LABEL SHIPPING-00;LABEL SHIPPING,ART-PAP	1	SNA
.2		BN69-00257S	PACKING-PAD;- ,PAPER,- ,CB-SW4,1000,800,- ,	1	SNA
.2		BN69-04045A	PAD PACKING-EDGE;CB,B800,W50x50,L2400,YE	1	SNA
.2		BN69-05618B	PALLET WOODEN;LE40D550,WOOD,1000,1200,13	1	SNA
.2		BN69-05929A	WRAP STRETCH FILM;All,LDPE,0.0066,440,40	1	SNA
.2		BN69-09282A	CUSHION-SET;S22C170,EPS,T0.0167,WHITE	1	SNA
..3		0103-005099	RESIN EPS;BASF303,Natural,Natural	114	SNA
.2		BN69-10984A	BAND;MON,POLYESTER,0.04,100,1200,transpa	1	SNA
.2		BN74-00008G	TAPE OPP-MASKING;T0.05,W75,L990,NTR,sile	1	SNA
.2		BN81-02321A	BAG-AIR;LIGHT FLEX PLASTIK,PE WHITE,L120	1	SNA