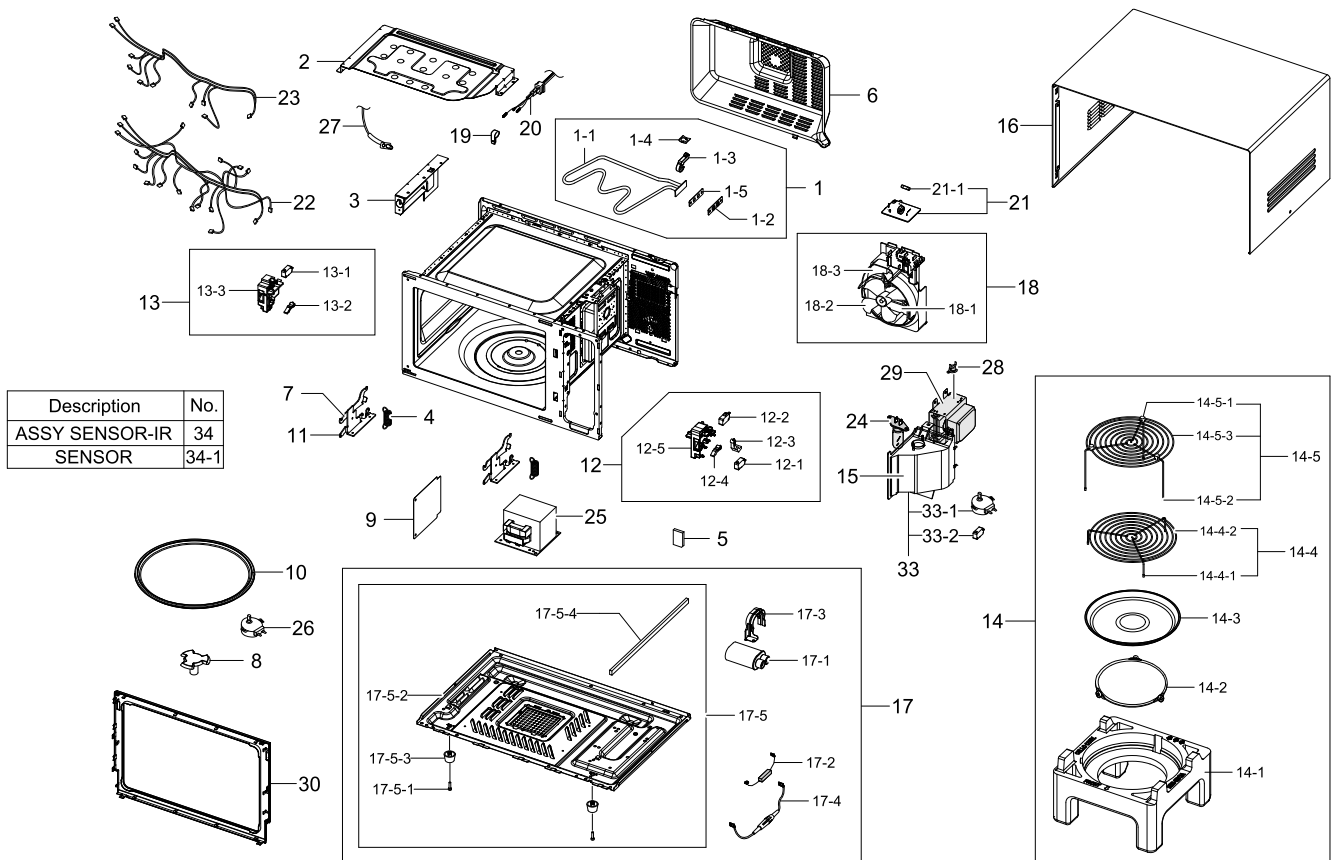


# 1. Main

## Exploded View



## Parts List

No.	Lvl.	Loc.	Material Code	Description & Specification	SNA	Qty.
1	1		DE90-01496B	ASSY GRILL PARTS; MC455THRC SR/SA,CONTRABA	SNA	1
1-1	2	H071	DE47-00055B	HEATER SHEATH-GRILL; SHG-D455B,MC455,1350	SA	1
1-2	2	M012	DE61-01529A	BRACKET-HEATER; 1.1 CELLO,EGI-SECC,T1.0,W	SNA	1
1-3	2	M113	DE61-01531A	SUPPORT-HEATER; 1.1 CELLO,ALUMINA,W40,L31	SNA	1
1-4	2	M005	DE61-70060A	SPRING-PLATE; SK5,T0.5	SA	1
1-5	2	M008	DE63-00049B	GASKET-HEATER; CELLO,BRASS,T1.0,W53,L15,N	SNA	1
2	2	M003	DE61-01508A	BRACKET-UPPER; 1.1 CELLO,EGI-SECC,T0.4,W3	SNA	1
3	2		DE61-01509A	BRACKET GUIDE-AIR; 1.1 CELLO,EGI-SECC,T0.	SNA	1
4	2		DE61-01540A	SPRING HINGE; MC32F606T(1.1CELLO),PWB-SWP	SNA	2

## Exploded Views and Parts List

No.	Lvl.	Loc.	Material Code	Description & Specification	SNA	Qty.
5	2	M056	DE63-00005C	CUSHION-HVT; NEOPRENE RUBBER,T6,W50,L40,B	SNA	1
6	2	P186	DE63-00617A	COVER-BACK; 1.0 VALUE CONVECTION,GI-SGCC,	SA	1
7	2	Y024	DE66-00251A	ARM-SLIDER; 1.1 CELLO,GA-SGCC,T1.0,W110,L	SNA	2
8	2	M034	DE67-60081A	COUPLER; 3RD-1.0/1.3,PPS,-,-,BROWN,-	SA	1
9	2	M051	DE71-00015A	COVER-CEILING; CE2933,MICA SHEET,T0.3,W11	SA	1
10	2	T001	DE74-20016A	TRAY-COOKING; -,GLASS,T5.0,M551T,PI345,12	SA	1
11	2		DE94-03028A	ASSY BRACKET SLIDER; MC32F606T,CR 2.0T,1.	SNA	2
12	2		DE94-03042A	ASSY BODY LATCH TOP-RIGHT; MC32F606T,1.1C	SA	1
12-1	3	B048	3405-001034	SWITCH-MICRO; 125/250VAC,16A,200gf,SPST-N	SA	1
12-2	3	B046	3405-001032	SWITCH-MICRO; 125/250VAC,16A,200GF,SPDT	SNA	1
12-3	3		DE66-00246A	LEVER SWITCH-RIGHT A; 1.1 CELLO,PA66,KN33	SNA	1
12-4	3		DE66-00247A	LEVER SWITCH-RIGHT B; 1.1 CELLO,PA66,KN33	SNA	1
12-5	3	B043	DE66-00250A	LATCH-BODY(R); 1.1 CELLO,PA66,T1.5,D67,L8	SNA	1
13	2		DE94-03043A	ASSY BODY LATCH TOP-LEFT; MC32F606T,1.1CE	SNA	1
13-1	3	B048	3405-001034	SWITCH-MICRO; 125/250VAC,16A,200gf,SPST-N	SA	1
13-2	3		DE66-00245A	LEVER SWITCH-LEFT B; 1.1 CELLO,PA66,KN332	SNA	1
13-3	3		DE66-00249A	LATCH-BODY(L); 1.1 CELLO,PA66,T1.5,D67,L8	SNA	1
14	1		DE90-01574A	ASSY ACCESSORY PARTS; MC32F606T,1.1CELLO(	SNA	1
14-1	2		DE69-00913A	CUSHION TRAY; CELLO,EPS,343,338,212,0.020	SNA	1
14-2	2	T150	DE92-90189S	ASSY GUIDE ROLLER; JES831,SPS(C832-V0),-	SA	1
14-3	2	T133	DE92-90534B	ASSY-TRAY BROILER; CE118KF,-,NEW	SA	1
14-4	2	T009	DE97-00136B	ASSY WIRE RACK; CK95,-,-,LOW-RACK	SA	1
14-4-1	3	T116	DE61-00389A	FOOT-RACK; PG81/83,SILICONE,0.8 POWER-GRI	SNA	3
14-4-2	3	T124	DE74-00018B	RACK-WIRE; CK95,MSWR-SWRM,D268,H35,SNC2,L	SNA	1
14-5	2	T010	DE97-00136F	ASSY WIRE RACK; CE118KF,-,-,SPACER+FOOT,1	SA	1
14-5-1	3	X008	DE60-80042A	SPACER-RACK WIRE; TEFLON,L10,ID3.0,W10	SNA	3
14-5-2	3	T116	DE61-00389A	FOOT-RACK; PG81/83,SILICONE,0.8 POWER-GRI	SNA	3

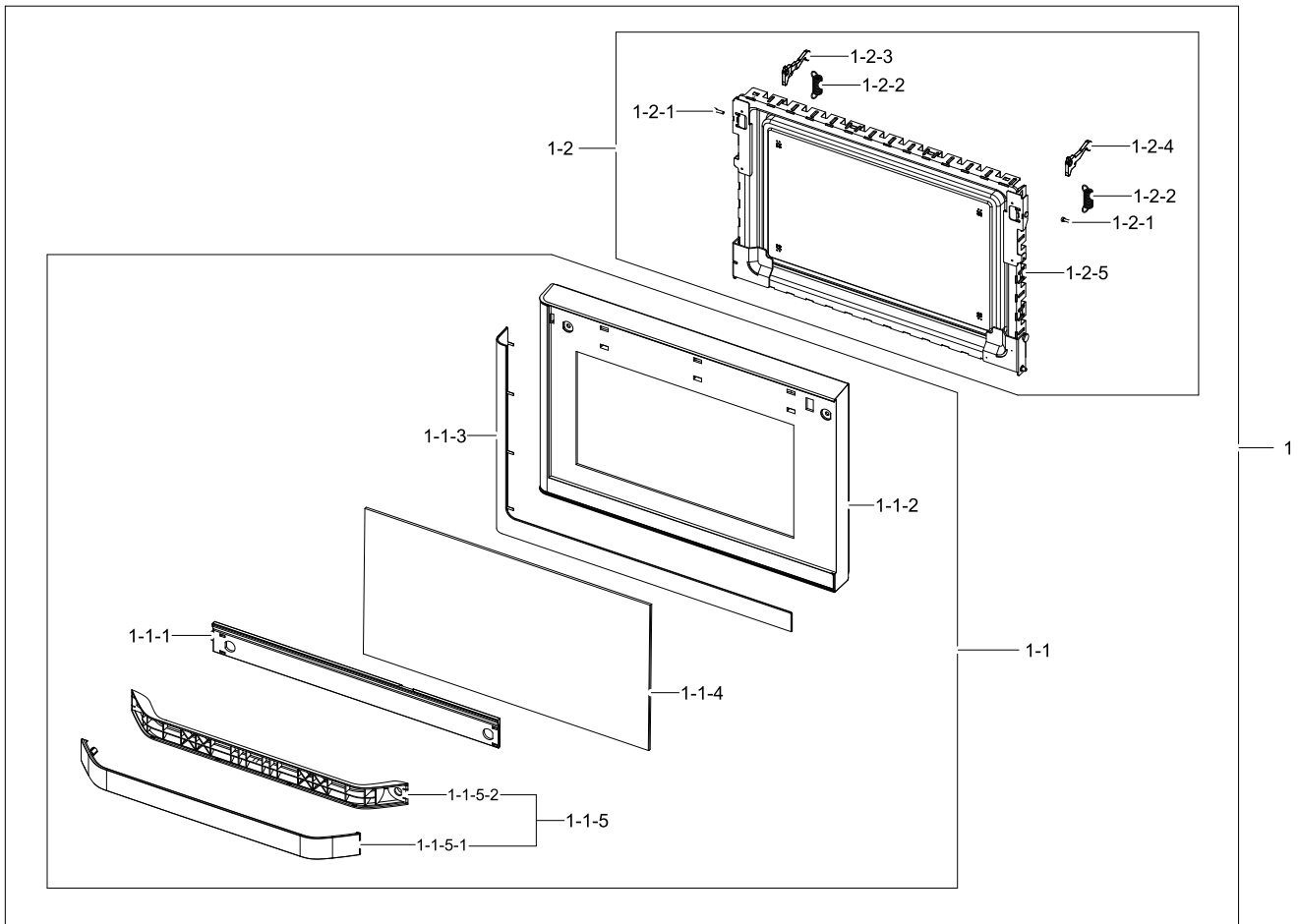
No.	Lvl.	Loc.	Material Code	Description & Specification	SNA	Qty.
14-5-3	3	T030	DE74-00018D	RACK-WIRE; 3RD-1.0,MSWR-SWRM,PI3.0,110,SN	SNA	1
15	3	M037	DE63-00759A	COVER-AIR; 1.1 CELLO,PA66,T1.0,W120,L95,B	SNA	1
16	2	M001	DE64-02726A	PANEL-OUTER; CELLO,EGI-SECC,T0.6,W405.7,L	SA	1
17	2	M155	DE94-03046A	ASSY BASE PLATE; MC32F606T,1.1CELLO(CONV)	SNA	1
17-1	3	M039	2501-001015	C-OIL; 1.0uF,2100V,BK,35X54X80,20mm	SA	1
17-2	3	M527	DE59-00002A	DIODE-H.V; MWO ALL,2CL4512H,-,450mA 13KV,	SNA	1
17-3	3	M040	DE61-50106A	BRACKET-HVC; EGI-SECC,T0.8,W31,L125.8	SNA	1
17-4	3	M042	DE91-70061A	ASSY H.V.FUSE; -,THV060T-0800-H,5KV/0.80A	SA	1
17-5	3	M045	DE94-03047A	ASSY BASE PLATE SUB; MC32F606T,1.1CELLO(C	SNA	1
17-5-1	4	M046	DE60-60025A	PIN-FOOT; PP	SA	2
17-5-2	4	M048	DE61-01523A	BASE-PLATE; 1.1 CELLO,GI-SGCC,T0.6,W520,L	SNA	1
17-5-3	4	M047	DE61-40065A	FOOT; -,PP,T2x22x17mm,BLK,-,-,-	SA	2
17-5-4	4	P021	DE63-00217U	CUSHION-SPONGE; MC455TCRCRSR/XE,POLYURETHA	SNA	0
18	2	M203	DE96-01013A	ASSY N/F-MOTOR FAN; MC32F606T,1.1CELLO(CO	SNA	1
18-1	3	M023	DE31-10185A	MOTOR FAN; SMF-3RDEA1,-,-,-,230V50Hz,24	SA	1
18-2	3	H096	DE31-90051A	BLADE-FAN; -,PP,-,D130,-,T,-	SA	1
18-3	3	M022	DE63-00757A	COVER-BLOWER; 1.1 CELLO,PP,T1.5,-,NATURAL	SNA	1
19	2	M483	DE65-20014A	CABLE CLAMP; NY-66,DA-6N	SNA	1
20	2	M015	DE96-00385A	ASSY POWER CORD; VDE,Straight,EUROPE,250V	SA	1
21	2	M017	DE96-00399F	ASSY NOISE FILTER; AURORA STEAM,SN-UF11F,	SA	1
21-1	3	M019	3601-001197	FUSE-CARTRIDGE; 250V,15A,SLOW-BLOW,CERAMI	SA	1
22	2	W002	DE96-01016A	ASSY WIRE HARNESS-A; MC32F606TCT/EF,230V	SA	1
23	2	W038	DE96-01015A	ASSY WIRE HARNESS-B; MC32F604TCT/BW,230V	SA	1
24	2	M036	4713-001524	LAMP-INCANDESCENT; 230V,20W	SA	1
25	2	M038	DE26-00152A	TRANS H.V; SHV-EPT10A,230V,50Hz,2390V/3.4	SA	1
26	2	M495	DE31-10170B	MOTOR SYNCHRONOUS; SM16FHK36P1AW3,CONV,FR	SA	1
27	2	M054	DE32-10013A	SENSOR; PTM-K312-K2,MG620440,-20to+310C,1	SA	1
28	2	M436	DE47-20009A	THERMOSTAT; NT-101,125/250V,150(1607,60	SA	1
29	2	M035	OM75P(31)ESGN	ASSY-MGT; ASSY-MGT		1

## Exploded Views and Parts List

No.	Lvl.	Loc.	Material Code	Description & Specification	SNA	Qty.
30	2	D006	DE64-02713A	DOOR-C; 1.1 CELLO,PBT,T1.5,W140,L210,-,BL	SA	1
33	2	T050	DE94-03022A	ASSY DAMPER; MC32F606T,1.1CELLO(CONV)	SNA	1
33-1	3	M358	DE31-10098A	MOTOR SYNCHRONOUS; M2LB24ZR92,220/240V,50	SA	1
33-2	3	B048	3405-001034	SWITCH-MICRO; 125/250VAC,16A,200gf,SPST-N	SA	1
34	2		DE96-01019A	ASSY SENSOR-IR; MC32F606T,IR SENSOR,1.1CE	SA	1
34-1	4		DE32-00010A	SENSOR; MLX90614ESF-ACC,MLX90614ESF-ACC,-	SNA	1

# 1.1. Assy Door

## Exploded View



## Parts List

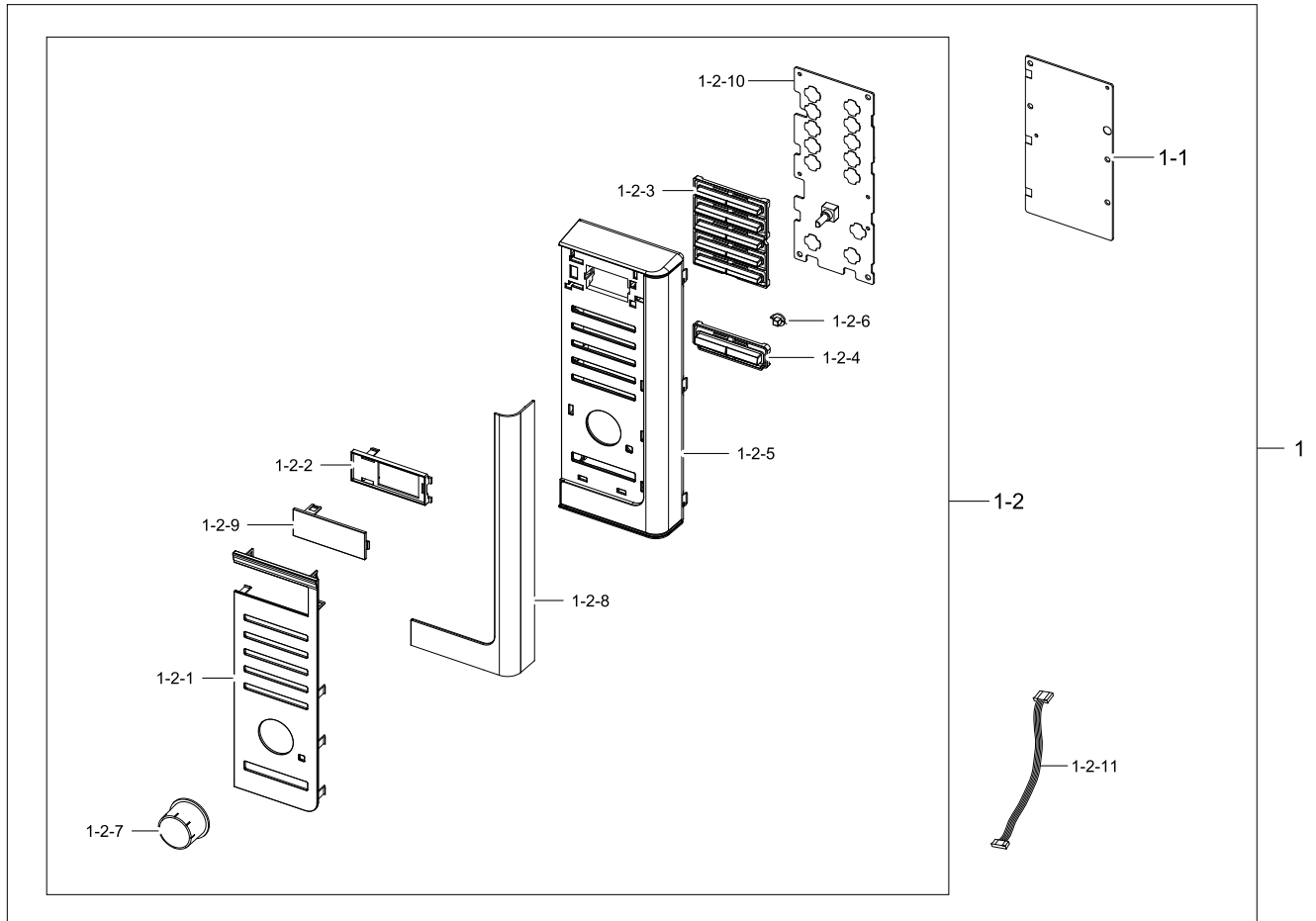
No.	Lvl.	Loc.	Material Code	Description & Specification	SNA	Qty.
1	1	D049	DE94-03023A	ASSY DOOR; MC32F606T,NEO STS SILVER,CELLO	SA	1
1-1	2	D037	DE94-03017A	ASSY DOOR A; MC32F606T,NEO STS SILVER,1.1	SA	1
1-1-1	3		DE63-00764A	COVER DOOR; 1.1 CELLO,PC,T1.0,HB,GE BLACK	SNA	1
1-1-2	3	D002	DE64-02708A	DOOR-A; 1.1 CELLO,ABS,T1.0,W20,W520,-,NEO	SNA	1
1-1-3	3	Z779	DE64-02716A	INLAY-DOOR; 1.1 CELLO,STAINLESS-ST430,T0	SNA	1
1-1-4	3	D024	DE64-02741A	SCREEN-DOOR(B); CELLO(CONV),GLASS,T3.2,W3	SNA	1
1-1-5	3	D020	DE94-03019A	ASSY HANDLE; MC32F606T,1.1CELLO(CONV)	SNA	1
1-1-5-1	4	D147	DE63-00761A	COVER HANDLE; 1.1 CELLO,ABS,T1.8,HB,GE BL	SNA	1

Exploded Views and Parts List

No.	Lvl.	Loc.	Material Code	Description & Specification	SNA	Qty.
1-1-5-2	4	D019	DE64-02707A	HANDLE DOOR; MC32F604T(1.1CELLO),ABS,T2,6	SNA	1
1-2	2		DE94-03024A	ASSY DOOR E SUB; MC32F606T,1.1CELLO(CONV)	SNA	1
1-2-1	3	D017	DE60-60008A	PIN-HINGE; MSWR-SWRM,MSWR10	SNA	2
1-2-2	3	D149	DE64-02344B	KEY-SPRING; HV-Z367CWP,PWA-SWPA,BLACK,AUR	SNA	2
1-2-3	3		DE64-02721A	KEY-DOOR LEFT; 1.1 CELLO,ZN-DIECASTING,-	SNA	1
1-2-4	3		DE64-02722A	KEY-DOOR RIGHT; 1.1 CELLO,ZN-DIECASTING,-	SNA	1
1-2-5	3		DE94-03026A	ASSY DOOR E SEALANT; MC32F606T,CELLO	SNA	1

## 1.2. Assy Control

### Exploded View



### Parts List

No.	Lvl.	Loc.	Material Code	Description & Specification	SNA	Qty.
1	1	C082	DE94-03015A	ASSY CONTROL BOX; MC32F606T(1.1CELLO),230	SNA	1
1-1	2	F316	DE92-03517B	ASSY PCB MAIN; RCS-CELLO-01,MC32F606TCT/E	SA	1
1-2	2	C001	DE94-03010A	ASSY CONTROL PANEL; MC32F606T,NEO STS SIL	SA	1
1-2-1	3		DE63-00762B	COVER PANEL; MC32F606T(1.1CELLO),SAN,T2.0	SNA	1
1-2-2	3		DE63-00763A	COVER-WINDOW DISPLAY; 1.1 CELLO,ABS,T1.0,	SNA	1
1-2-3	3		DE64-02690B	BUTTON-SELECT A; MC32F606T(1.1CELLO),ABS,	SA	1
1-2-4	3		DE64-02691B	BUTTON SELECT-B; MC32F606T(1.1CELLO),ABS,	SA	1
1-2-5	3	C005	DE64-02703A	CONTROL PANEL; 1.1 CELLO,ABS,W105,L40,150	SNA	1

Exploded Views and Parts List

No.	Lvl.	Loc.	Material Code	Description & Specification	SNA	Qty.
1-2-6	3	C035	DE64-02709A	BUTTON-CLOCK; MC32F604T,ABS,HB,GE BLACK	SA	1
1-2-7	3		DE64-02710A	KNOB DIAL; 1.1 CELLO,ABS,HB,GE BLACK,META	SA	1
1-2-8	3		DE64-02717A	INLAY CONTROL; 1.1 CELLO,STAINLESS-ST5430	SNA	1
1-2-9	3	C009	DE64-02723A	WINDOW-DISPLAY; MC32F606T, MC32F604T,SAN,	SA	1
1-2-10	3	C084	DE96-01022B	ASSY KEY MODULE; MC32F606TCT,DKM-CELLO-01	SA	1
1-2-11	2		DE96-01018A	ASSY WIRE HARNESS-DISPLAY; MC32F606TCT/EF	SA	1