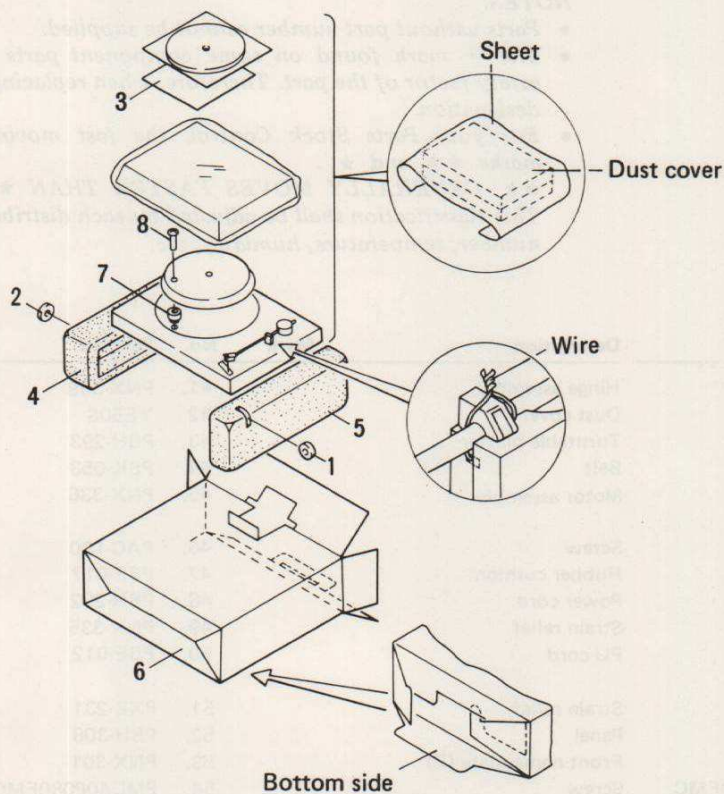


9. PACKING

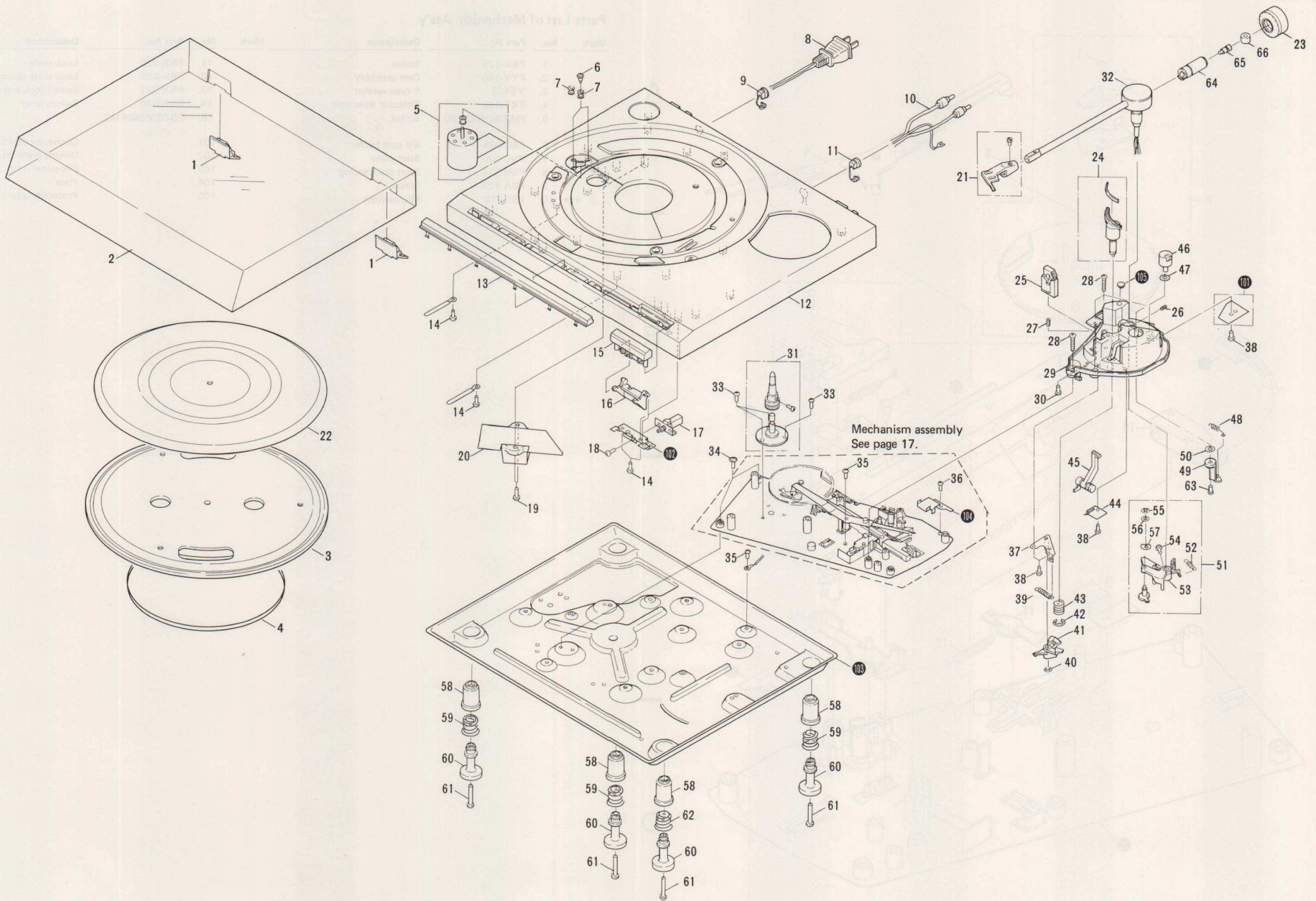


Parts List

Mark	No.	Part No.	Description
	1.		45 adaptor
★ ★	2.		Weight assembly
	3.		Operating instructions
	4.		Protector (L)
	5.		Protector (R)
	6.		Packing case
	7.		Turntable platter packing
	8.		Screw

Exterior

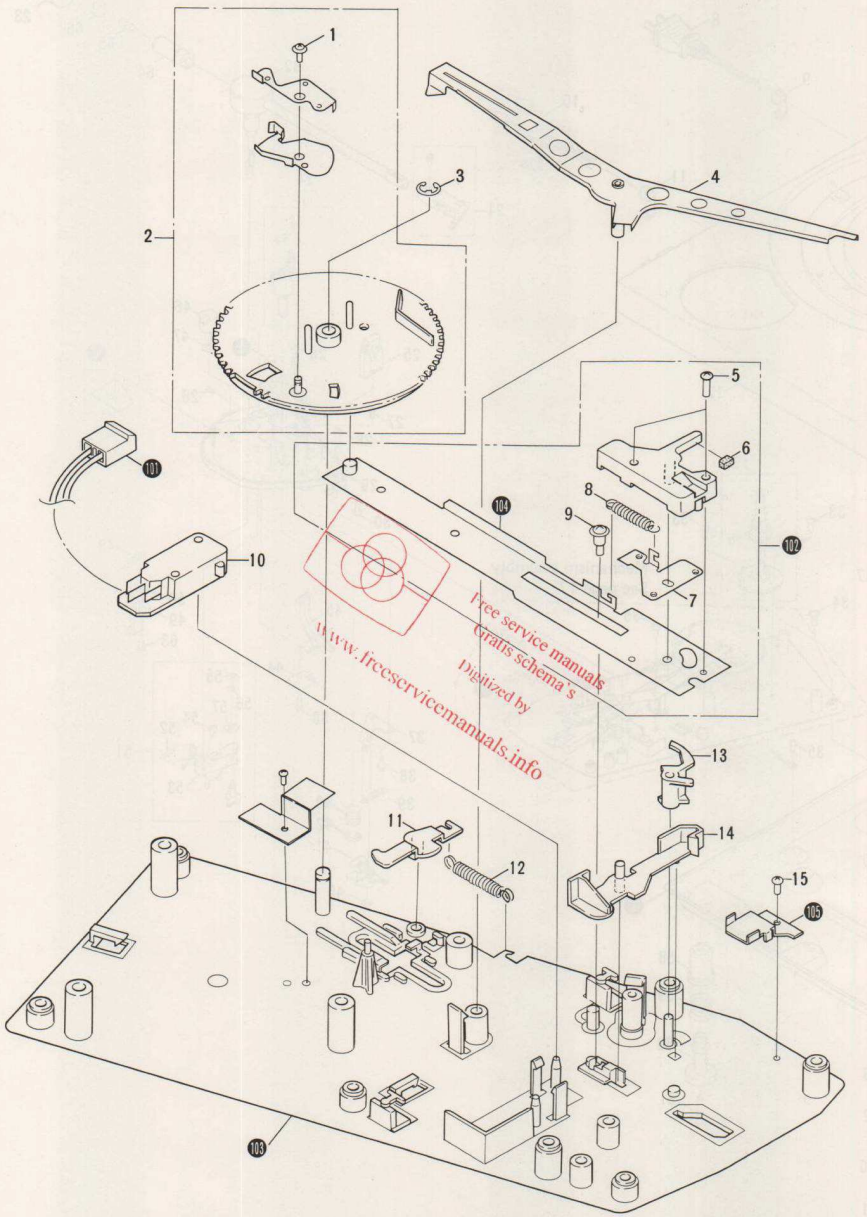
10.5 MECHANISM ASSEMBLY



10.2 MECHANISM ASSEMBLY

Parts List of Mechanism Ass'y

Mark	No.	Part No.	Description	Mark	No.	Part No.	Description
	1.		Screw		11.		Lock plate
	2.		Cam assembly		12.		Lock plate spring
	3.		E-type washer		13.		Switch lock angle
	4.		Detector lever unit		14.		Switch lever
	5.		Screw		15.		
	6.		EV cam buffer		101.		Connector assembly
	7.		Start plate		102.		Driving plate assembly
	8.		Start plate spring		103.		Sub-panel unit
	9.		Screw		104.		Plate
	10.		Microswitch		105.		Protection plate



A

A

B

B

C

C

D

D