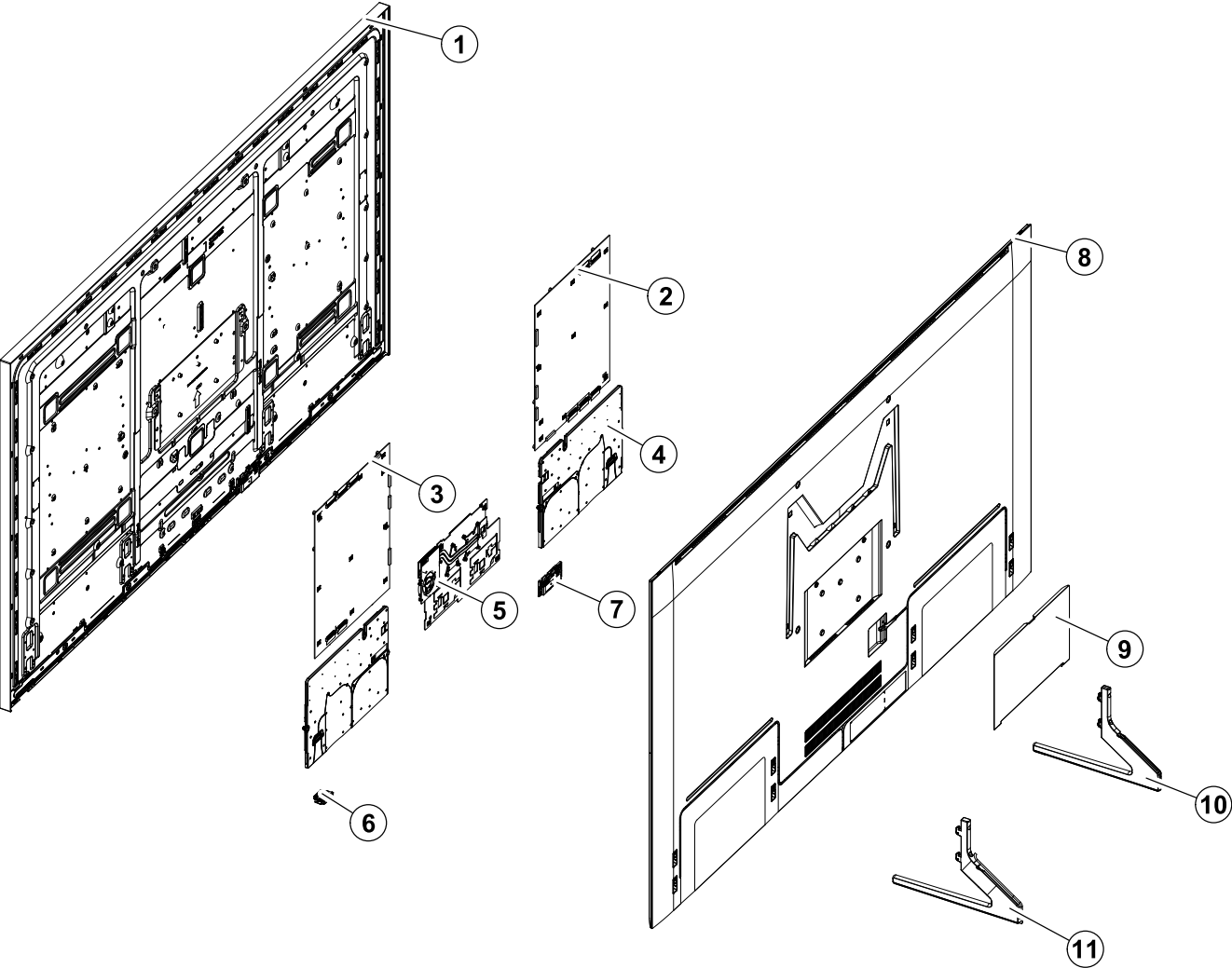


1. Exploded View & Part List

Exploded View

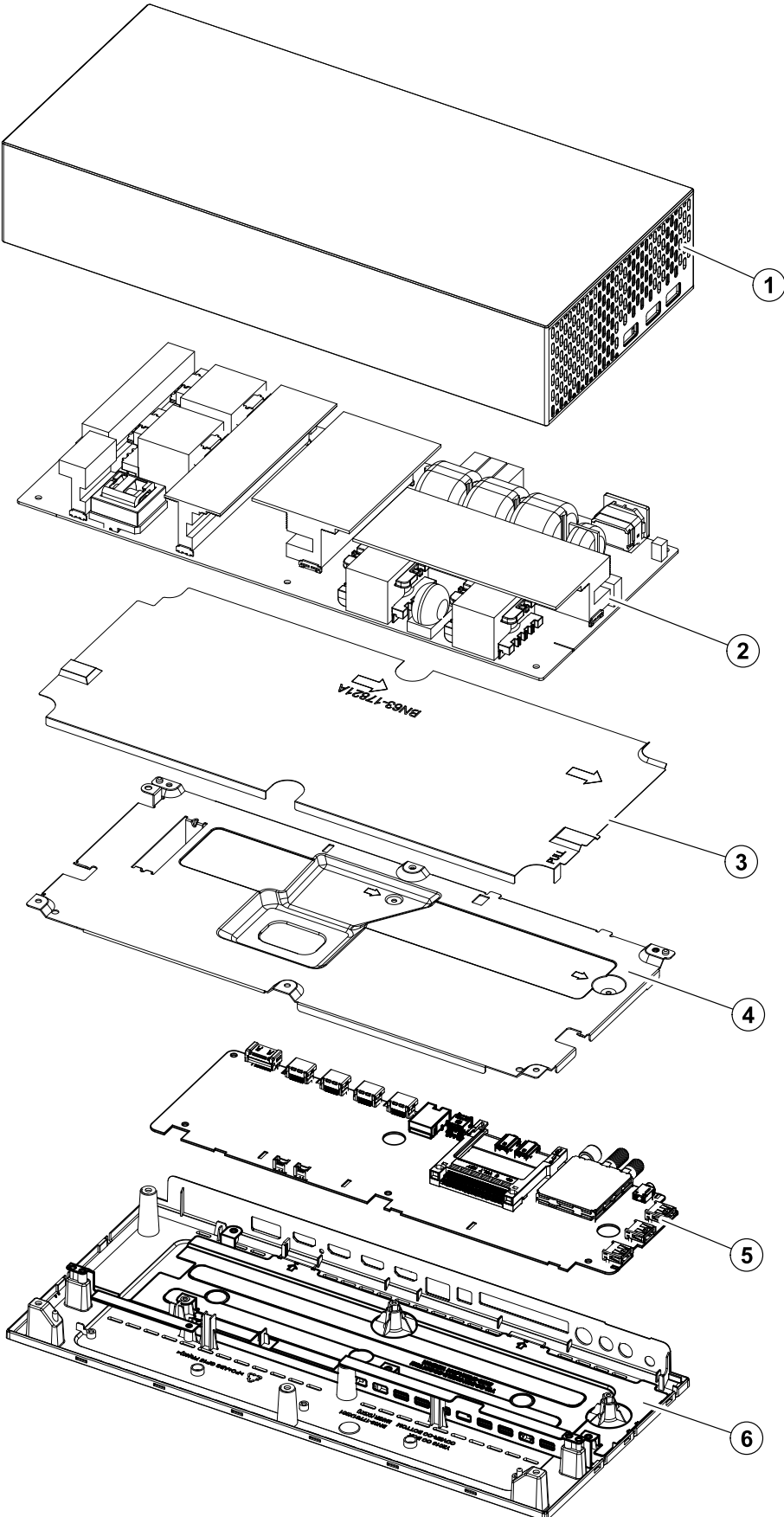


Parts List

No.	Lvl.	Loc.	Material Code	Description & Specification	SNA	Qty.
1	2	PANEL	BN95-05991C	PRODUCT LCD-AUO; CY-TR075JLAV3V/H,Q900RB,	SA	1
2	5		BN44-00994A	DC VSS-DRIVER BOARD; L75S9SNRA_RHS,DC/DC,	SA	1
3	5		BN44-00994B	DC VSS-DRIVER BOARD; L75S9SNRB_RHS,DC/DC,	SA	1
4	2		BN96-47523C	ASSY SPEAKER P-FRONT; TV-SPK,Q900,6ohm,10	SA	1
5	2	M0014	BN94-14868M	ASSY PCB MAIN; QRQ900Z	SA	1
6	2		BN96-49258A	ASSY BOARD P-FUNCTION TACT; Y19 Q900 75',	SA	1
7	2		BN59-01314A	NETWORK-WLAN CLIENT; WCP730M,78.3x29.3x7.	SA	1
8	2	R001A	BN96-49207C	ASSY COVER P-REAR; 75QRQ900Z,PC+ABS+ED20%	SA	1
9	2		BN96-48105A	ASSY COVER P-CLEAN BACK WALL MOUNT; 75QRQ	SA	1
10	2		BN96-47690A	ASSY STAND P-COVER TOP RIGHT; 75Q90A,AL	SA	1
11	2		BN96-47688A	ASSY STAND P-COVER TOP LEFT; 75Q90A,ALD	SA	1

2. ONE CONNECT Exploded View & Part List

ONE CONNECT Exploded View



Parts List

No.	Lvl.	Loc.	Material Code	Description & Specification	SNA	Qty.
1	2		BN96-47701A	ASSY COVER P-OC TOP; 75QRQ900A,PC,V-1,TP0	SA	1
2	2	OC-SMPS	BN44-00972B	DC VSS-POWER BOARD; P480NQB_NDY,AC/DC,475	SA	1
3	2		BN63-17821A	INSULATOR-SMPS; 75QRQ900A,PC,BLACK,L381.8	SA	1
4	2		BN63-17776A	SHIELD-OC TOP; 75QRQ900A,EGI-SECC,T0.8	SA	1
5	2		BN94-14476F	ASSY PCB OC; QRQ900Z	SA	1
6	2		BN96-47702M	ASSY COVER P-OC BOTTOM; 75QRQ900Z,PC+ABS+	SA	1

3. Electrical Parts List

Level	Loc.	Part Code	Description & Specification	Qty.	SA/SNA
			QE75Q950RBTXZG (AC09)		
1	S001A	BN90-10201C	ASSY STAND;QRQ900A	1	SNA
.2		BN96-47688A	ASSY STAND P-COVER TOP LEFT;75Q900A,ALD	1	SA
..3		BN63-17850A	COVER-STAND TOP LEFT;75QRQ900A,ALDC12,BL	1	SNA
.2		BN96-47690A	ASSY STAND P-COVER TOP RIGHT;75Q900A,AL	1	SA
..3		0201-003279	ADHESIVE-AA;UPUV,CLEAR	1	SNA
..3	RF01	BN61-13520F	FOOT-RUBBER;55Q8,RUBBER,GRAY,W6,L25,T3	4	SNA
..3		BN63-17851A	COVER-STAND TOP RIGHT;75QRQ900A,ALDC12,B	1	SNA
..3		BN68-09340A	LABEL-STICKER;85QRQ900A,PET,T0.05,W15,L3	2	SNA
1		BN90-10984L	ASSY W/I;QRQ900Z	1	SNA
.2		BN81-08159Z	A/S PART SET-ELEC W/I;LED TV ELEC spec-C	1	SNA
.2		BN81-17115U	A/S PART SET-MECH W/I;QRQ900Z,Q75RZ*	1	SNA
1	R001A	BN90-10989C	ASSY COVER REAR;QRQ900Z	1	SNA
.2	R001A	BN96-49207C	ASSY COVER P-REAR;75QRQ900Z,PC+ABS+ED20%	1	SA
..3		BN02-00094A	TAPE SINGLE FACE;Y12 F-LED,PET,T0.05,W30	1	SNA
..3	R001	BN63-17803B	COVER-REAR;75QRQ900A,PC+ABS+ED20%,V-1,BK	1	SNA
...4		0103-010818	RESIN PC ABS;CM20G/BK00749,BLACK,BK0007,	7700	SNA
..3		BN63-18054A	SHEET-THERMAL;85QRQ900A,GRAPHITE,T0.3,W6	1	SNA
..3	RF01	BN67-00338J	FOOT-RUBBER;32K5300,Si,BLACK,W10,L10,T1.	4	SNA
..3		BN68-05603A	LABEL-E PASS;ART,W/W,90g	1	SNA
..3		BN68-08413H	LABEL-STICKER LICENSE;75QRQ900A,PC,T0.25	1	SNA
1		BN91-21198F	ASSY ONE CONNECT;QRQ900Z	1	SNA
.2	SCREW	6001-002789	SCREW-MACHINE;BH,+,M4,L6,ZPC(WHT),SWRCH1	1	SA
.2	SCREW	6003-000275	SCREW-TAPTYPE;BH,+,B,M3,L10,ZPC(BLK),SWR	4	SA
.2	SCREW	6003-000283	SCREW-TAPTYPE;BH,+,-,B,M3,L8,ZPC(WHT),SW	8	SNA
.2		6902-002984	BAG PE;HDPE/PE FOAM,-,T0.015/T0.5,W500,L	1	SNA
.2	M0131	AA63-01071A	GASKET-EMI;EMI Shielding,Conductive Tape	1	SNA
.2	M0909	AA63-01387A	GASKET-EMI;EMI Shielding,Conductive Tape	1	SNA
.2		BN39-02438A	LEAD CONNECTOR-POWER;Q900R,UL21516,26P,L	1	SA
.2	OC-SMPS	SBN44-00972B	DC VSS-POWER BOARD;P480NQB_NDY,AC/DC,475	1	SA
.2		BN62-00459A	PAD GAP-THERMAL;KN55S9CAF,T5,L40,H40,GRA	1	SA
.2		BN62-00866A	PAD GAP-RUBBER;Q900 OC,T4,L155,H90,GRAY,	2	SNA
.2		BN62-00883A	PAD GAP-THERMAL;QN65Q90RAFXZA,Si,T12.5,L	1	SNA
.2	M0131	BN63-02627A	GASKET-EMI;Oxford,Conductive Fabric,T8,W	1	SNA
.2		BN63-02627B	GASKET-EMI;Oxford,FABRIC,T8,W13,L90,GRAY	1	SNA
.2		BN63-17776A	SHIELD-OC TOP;75QRQ900A,EGI-SECC,T0.8	1	SA
.2		BN63-17821A	INSULATOR-SMPS;75QRQ900A,PC,BLACK,L381.8	1	SA
.2	M0019	BN68-00970A	LABEL-SECURITY;ALL,PET,T0.05,W60,L60,SEA	1	SNA

Level	Loc.	Part Code	Description & Specification	Qty.	SA/SNA
.2		BN68-07104D	LABEL-RATING;Monitor,WW,PP,T0.161,W90,L5	1	SNA
.2		BN68-08730A	LABEL-E PASS;QTV,WW,ART,T0.161,W60,L15,P	6	SNA
.2		BN69-18538B	BOX ACCESSORY;82QRQ90B,CB,SW-E,Non Stand	1	SNA
.2		BN69-18599A	PAD-EPE;75QNQ90A,EPE,W55,L395,H30,WHITE	1	SNA
.2		BN94-14476F	ASSY PCB OC;QRQ900Z	1	SA
..3		BN97-15515F	ASSY SMD;QRQ90B	1	SNA
...4		0202-001899	SOLDER-CREAM;M705-GRN360-K2-VT,20-38um,S	8	SNA
...4	DS01A	0401-001056	DIODE-SWITCHING;MMBD4148SE,100V,200mA,SO	1	SA
...4		0403-000489	DIODE-ZENER;MMSZ5228B,3.705~4.095V,500mW	4	SA
...4		0403-001783	DIODE-ZENER;BZB84-C6V2,5.8~6.6V,300mW,SO	3	SNA
...4		0403-001785	DIODE-ZENER;NZH5V1B,4.94~5.2V,500mW,SOD-	3	SA
...4		0403-002067	DIODE-ZENER;PESD5V0U1UT,7.0/8.2V,300mW,S	1	SA
...4		0406-001290	DIODE-TVS;3.0SMCJ20A,22.2V,24.5V,5MAV,30	1	SNA
...4		0406-001778	DIODE-TVS;PUSB3FR4,6V,9V,0.2MAV,0.7VPA,0	7	SA
...4		0406-001810	DIODE-TVS;uClamp2461P,27V,32V,36V,23000M	1	SA
...4		0406-001820	DIODE-TVS;AZ1023-04F,4.5V,6V,7.5V,0.5MAV	2	SA
...4		0501-000445	TR-SMALL SIGNAL;KTC3875S-Y,NPN,150mW,SOT	7	SC
...4		0505-002598	FET-SILICON;AP2317GN,P,20V,-4.2A,0.052oh	2	SA
...4		0505-002893	FET-SILICON;AO4801AS,P,30V,-5A,2W,SOIC-8	1	SA
...4		0601-003620	LED-IR;SMD Angle Type,1.4mm,200mW,5V,940	2	SA
...4		0801-003603	IC-CMOS LOGIC;MC74LCX244MN2TWG,Octal buf	1	SA
...4		0903-002242	IC-MICROCONTROLLER;UEI1704,QFN,20P,4x4x0	1	SA
...4		0904-002882	IC-USC;GL852G-OHY38,QFN,28P,5x5mm,12MHz,	2	SA
...4		1006-001595	IC-DRIVER/RECEIVER;UT3221G-P16-R,TSSOP-1	1	SA
...4		1203-008918	IC-DC/DC CONVERTER;TPS65235,WQFN,20P,3x3	1	SA
...4		1203-009186	IC-POS.LADJUST REG.;TLV759P01PDRVR,TP,6P	5	SA
...4		1203-009188	IC-VOL. DETECTOR;G623F11U,TP,8P,4.9x6x1.	2	SA
...4		1203-009193	IC-DC/DC CONVERTER;SYD113IADC,TSOT23-6,6	5	SA
...4		1203-009194	IC-DC/DC CONVERTER;SYD104IADC,TSOT23-6,6	3	SA
...4		1204-003778	IC-DECODER;SDP1805S,FCBGA,490P,21x21x1.5	1	SA
...4		1205-005519	IC-SWITCH;ET20163,SOT23-5,5P,2.95x3.02mm	4	SA
...4		1205-005749	IC-SWITCH;G2897KD1U,TDFN2X3-14,14P,2x3mm	2	SA
...4		1405-001381	VARISTOR;11V,8VDC,30A,1608,TP,25V,500pF	12	SA
...4		1405-001382	VARISTOR;24.5V,16VDC,120A,2012,TP,42V,40	4	SA
...4		2007-000137	R-CHIP;2Kohm,5%,1/16W,TP,1005	12	SNA
...4		2007-000138	R-CHIP;100ohm,5%,1/16W,TP,1005,T0.35	11	SA
...4		2007-000170	R-CHIP;1Mohm,5%,1/16W,TP,1005,T0.35	1	SNA
...4		2007-000172	R-CHIP;10ohm,5%,1/16W,TP,1005,T0.35	3	SNA
...4		2007-000779	R-CHIP;33ohm,1%,1/10W,TP,1608	8	SA
...4		2007-000932	R-CHIP;470ohm,5%,1/16W,TP,1005,T0.35	3	SNA

Exploded Views and Parts List

Level	Loc.	Part Code	Description & Specification	Qty.	SA/SNA
...4		2007-001116	R-CHIP;680ohm,1%,1/10W,TP,1608	2	SA
...4		2007-007107	R-CHIP;100Kohm,1%,1/16W,TP,1005,T0.35,-	38	SNA
...4		2007-007137	R-CHIP;1.2Kohm,1%,1/16W,TP,1005,T0.35	2	SA
...4		2007-007138	R-CHIP;27Kohm,1%,1/16W,TP,1005,T0.35	3	SNA
...4		2007-007231	R-CHIP;110Kohm,1%,1/10W,TP,1608	1	SA
...4		2007-007311	R-CHIP;22Kohm,1%,1/16W,TP,1005,T0.35	18	SA
...4		2007-007312	R-CHIP;20Kohm,1%,1/16W,TP,1005,T0.35	15	SA
...4		2007-007313	R-CHIP;6.8Kohm,1%,1/16W,TP,1005,T0.35	14	SA
...4		2007-007316	R-CHIP;3.3Kohm,1%,1/16W,TP,1005,T0.35	5	SNA
...4		2007-007318	R-CHIP;1Kohm,1%,1/16W,TP,1005,T0.35	30	SNA
...4		2007-007517	R-CHIP;240ohm,1%,1/16W,TP,1005,T0.35	16	SNA
...4		2007-007588	R-CHIP;1.8Kohm,1%,1/16W,TP,1005,T0.3	5	SA
...4		2007-007992	R-CHIP;1ohm,1%,1/10W,TP,1608	3	SA
...4		2007-008026	R-CHIP;56ohm,1%,1/16W,TP,1005,T0.35	1	SA
...4		2007-008294	R-CHIP;33ohm,1%,1/16W,TP,1005,T0.35	6	SA
...4		2007-008661	R-CHIP;2.1Kohm,1%,1/10W,TP,1608	1	SA
...4		2007-008779	R-CHIP;0ohm,1%,1/16W,TP,1005	7	SA
...4		2011-001261	R-NETWORK;33ohm,5%,1/16W,L,CHIP,8P,TP,2.	6	SA
...4		2011-001344	R-NETWORK;100ohm,5%,1/16W,L,CHIP,8P,TP,2	8	SA
...4		2011-001345	R-NETWORK;10Kohm,5%,1/16W,L,CHIP,8P,TP,2	1	SA
...4		2011-001506	R-NETWORK;10Kohm,5%,1/16W,L,CHIP,4P,TP,1	1	SNA
...4		2011-001519	R-NETWORK;33OHM,5%,1/16W,L,CHIP,4P,TP,1.	4	SA
...4		2011-001587	R-NETWORK;100ohm,5%,1/16W,L,CHIP,4P,TP,1	4	SNA
...4		2011-001590	R-NETWORK;47Kohm,5%,1/16W,L,CHIP,4P,TP,1	4	SNA
...4	AD480	2203-000254	C-CER,CHIP;10nF,10%,16V,X7R,TP,1005,T0.5	1	SA
...4	AD480	2203-000359	C-CER,CHIP;0.15nF,5%,50V,C0G,TP,1005,T0.	3	SNA
...4	AD480	2203-000585	C-CER,CHIP;0.22nF,10%,50V,X7R,TP,1005	1	SA
...4	AD480	2203-000627	C-CER,CHIP;0.022nF,5%,50V,C0G,TP,1005	8	SNA
...4	AD480	2203-000812	C-CER,CHIP;0.033nF,5%,50V,C0G,TP,1005	7	SA
...4	AD480	2203-002711	C-CER,CHIP;100nF,10%,25V,X7R,TP,1608	5	SA
...4	AD480	2203-006048	C-CER,CHIP;100nF,10%,10V,X7R,TP,1005,T0.	85	SA
...4	AD480	2203-006126	C-CER,CHIP;47nF,10%,16V,X7R,TP,1005,T0.5	9	SNA
...4	AD480	2203-006158	C-CER,CHIP;100nF,10%,16V,X7R,TP,1005,T0.	633	SNA
...4	AD480	2203-006307	C-CER,CHIP;1000nF,10%,25V,X5R,TP,2012	2	SNA
...4	AD480	2203-006474	C-CER,CHIP;22000nF,20%,6.3V,X5R,TP,2012,	1	SA
...4	AD480	2203-007269	C-CER,CHIP;22000nF,20%,10V,X5R,TP,2012(2	28	SA
...4	AD480	2203-007271	C-CER,CHIP;2200nF,10%,10V,X5R,TP,1005,T0	24	SNA
...4	AD480	2203-007795	C-CER,CHIP;10000nF,20%,10V,X5R,TP,1005,T	145	SA
...4	AD480	2203-007809	C-CER,CHIP;22nF,10%,50V,X7R,TP,1005,T0.5	1	SNA
...4		2703-000158	INDUCTOR-SMD;1uH,10%,0.4Ohm,50mA,45,Mult	2	SA

Level	Loc.	Part Code	Description & Specification	Qty.	SA/SNA
...4		2703-000213	INDUCTOR-SMD;470nH,10%,1608,T0.8,1.35Ohm	1	SA
...4		2703-002269	INDUCTOR-SMD;56nH,5%,1005,T0.5,1Ohm,200m	7	SA
...4		2703-005191	INDUCTOR-SMD;1.5uH,20%,6060,T4.5,0.02Ohm	7	SA
...4		2801-000102	CRYSTAL-SMD;12MHz,30ppm,12pF,100ohm,TP	3	SA
...4		3601-001376	FUSE-SURFACE MOUNT;32V,3A,FAST-ACTING,Hi	2	SNA
...4		3701-001967	CONNECTOR-HDMI;19P,A,FEMALE,AU,0.5mm,BLK	3	SA
...4		3701-002024	CONNECTOR-HDMI;19P,A,FEMALE,AU,0.5mm,BLK	1	SNA
...4		3707-001123	CONNECTOR-OPTICAL;ANGLE,SPDIF,2.5PI	1	SA
...4		3709-001712	CONNECTOR-CARD SLOT;68P,1.27mm,ANGLE,AU,	1	SA
...4		3710-004375	CONNECTOR-SOCKET;34P,2R,0.8mm,SMD-A,Au,B	1	SA
...4	EH01	3711-008492	HEADER-BOARD TO CABLE;BOX,26P,2R,2mm,ANG	1	SA
...4		3722-003199	JACK-MODULAR;8P/8C,Y,ANGLE,NONE,AU,1PORT	1	SA
...4		3722-003216	JACK-PHONE;1P/7C,AU,BLK,SMD-A,3.6PI,10.2	1	SA
...4		3722-003457	JACK-USB;4P/1C,NI,BLK,ANGLE,A,2.0,13.1x1	3	SA
...4		BN40-00333C	TUNER-DTV AIR CABLE SAT;GT2S2-9D31,DVB-T	1	SA
...4		BN41-02698A	PCB-OC;Q90, Q85_OC, Q80_OC,FR-4,4L,T1.2,	1	SNA
...4		BN97-15857A	ASSY MICOM;MMMICOM_OC_JP,Q90R,EN25QH16B,	1	SNA
....5		1107-002587	IC-NOR FLASH;EN25QH16B,16MBit,SOP,8P,2.7	1	SNA
.2		BN96-47701A	ASSY COVER P-OC TOP;75QRQ900A,PC,V-1,TP0	1	SA
..3		BN02-00303A	TAPE-DOUBLE FACE;PET,T0.2,W8,CLEAR,DOUBL	0	SNA
..3		BN02-00358A	TAPE DOUBLE FACE;27SD590C,ACRYL,T1,W8,L1	1	SNA
..3		BN61-15817A	BRACKET-OC EMI;65QNQ9FA,STS,T0.3,NATURAL	1	SNA
..3		BN62-00859A	HEAT SINK-PS;75QRQ900A,A1050,T1.5,W166.1	1	SNA
..3		BN63-16151A	SHEET-PROTECTION COVER;40K6200,PO,T0.068	0	SNA
..3		BN63-17780A	COVER-OC TOP;75QRQ900A,PC,V-1,TP0116,W/W	1	SNA
..3		BN63-17822A	INSULATOR-SMPS;75QRQ900A,PC,BLACK,L387.2	1	SNA
..3		BN63-17834A	SHEET-THERMAL;75QRQ900A,GRAPHITE,T1,W161	1	SNA
.2		BN96-47702M	ASSY COVER P-OC BOTTOM;75QRQ900Z,PC+ABS+	1	SA
..3	SCREW	6003-000282	SCREW-TAPTYPE;BH,+,-,B,M3,L8,ZPC(BLK),SW	1	SA
..3		BN62-00302A	PAD GAP-THERMAL;SILICON,T8,L40,H40,GRAY,	1	SNA
..3		BN62-00884A	PAD GAP-THERMAL;QN65Q90RAFXZA,SI,T8,L40,	1	SNA
..3		BN63-17244A	SHEET-PROTECTION COVER;55LS003,PO,T0.06,	0	SNA
..3		BN63-17520A	SHIELD-OC BOTTOM;65QNQ9FA,EGI-SECC,T0.5,	1	SNA
..3		BN63-17718A	SHIELD-OC TOP FRONT;65QNQ9FA,EGI-SECC,T0	1	SNA
..3		BN63-17781E	COVER-OC BOTTOM;75QRQ900A,PC+ABS+GF15%,V	1	SNA
..3	RF01	BN67-00327J	FOOT-RUBBER;PE400,RUBBER,GRAY,T2.5,,	4	SNA
1		BN91-21305B	ASSY SHIELD;QRQ900Z	1	SNA
.2		6001-003168	SCREW-MACHINE;CH,+,M3,L5,ZPC(BLK),SWRCH1	8	SA
.2		BN02-00102B	TAPE-SINGLE FACE;OPP,T0.15,W25,L50M,WHIT	2	SNA
.2		BN39-02428A	LEAD CONNECTOR-POWER;Q900R_75 82",UL2101	1	SA

Exploded Views and Parts List

Level	Loc.	Part Code	Description & Specification	Qty.	SA/SNA
.2		BN39-02431A	LEAD CONNECTOR-POWER;Q900R_75 82",UL2151	1	SA
.2		BN39-02481A	LEAD CONNECTOR-SUB ASSY;QN65Q900RB,UL214	1	SA
.2		BN59-01314A	NETWORK-WLAN CLIENT;WCP730M,78.3x29.3x7.	1	SA
.2		BN61-14942A	HOLDER-WIFI;75Q9F,ABS,BK0007,HB	1	SNA
.2		BN63-18124A	SHEET-EVA;65QRA900A,EVA,T10,W18,L45,BLAC	2	SNA
.2		BN68-09258B	LABEL ETC;ALL MODEL,PET,T0.05,W40,L40,YW	1	SNA
.2		BN96-47523C	ASSY SPEAKER P-FRONT;TV-SPK,Q900,6ohm,10	1	SA
.2		BN96-47752A	FFC CABLE;Q900R_65 75 82",Fold,L180,68P,	1	SA
.2		BN96-47866A	FFC CABLE;QN75Q900R,Fold,L635,24P	1	SA
.2		BN96-48105A	ASSY COVER P-CLEAN BACK WALL MOUNT;75QRQ	1	SA
..3		BN61-15056A	MAGNET NEODYMIUM;55LS003,Nd,T2,W10,L20	2	SNA
..3		BN63-18132A	COVER-CLEAN BACK WALL MOUNT;75QRQ900A,PC	1	SNA
.2		BN96-49258A	ASSY BOARD P-FUNCTION TACT;Y19 Q900 75',	1	SA
.2		BN96-49379A	FFC CABLE;QN65Q900RB,Straight,L57,96P	4	SA
.2		BN96-49380A	FFC CABLE;QN65Q900RB,Fold,L180,68P	1	SA
1	M0017	BN91-21479F	ASSY CHASSIS;QRQ900Z	1	SNA
.2	M0014	BN94-14868M	ASSY PCB MAIN;QRQ900Z	1	SA
..3	M0909	AA63-01387A	GASKET-EMI;EMI Shielding,Conductive Tape	1	SNA
..3		BN62-00574A	HEAT SINK-ES;F7000,A6063,W28,L14,BLACK,t	1	SNA
..3		BN62-00867A	HEAT SINK-PS;Q900R,A1050,W120,L70,BLACK,	1	SNA
..3		BN62-00871A	PAD GAP-THERMAL;Q900R,RUBBER,T2.5,L40,H2	2	SNA
..3		BN62-00872A	PAD GAP-THERMAL;Q900R,RUBBER,T2,L40,H20,	4	SNA
..3		BN62-00878A	HEAT SINK-HEAT PIPE MODULE;Q900RB,Cu,W11	1	SNA
..3		BN62-00880B	HEAT SINK-PS;Q900RB,A1050,W160,L170,BLAC	1	SNA
..3		BN63-10803A	GASKET-EMI;PS43F4900,FABRIC,T4,W10,L36,G	1	SNA
..3		BN63-18468A	SHEET-EVA;65QRQ900Z,EVA,T3,W10,L20,BLACK	2	SNA
..3		BN97-15724A	ASSY DRM;Muse-M built_in,DVB,NagSam, MAC	1	SNA
...4		BN46-00109H	KEY CODE-CERTIFICATION;MAC,TV/AV,General	1	SNA
...4		BN46-00110P	KEY CODE-CERTIFICATION;MIRACAST(HDCP2.2)	1	SNA
...4		BN46-00961A	KEY CODE;Muse-M built_in,Nagra CSC Data,	1	SNA
...4		BN46-00963A	KEY CODE;Muse-M built_in,CI PLUS,Samsung	1	SNA
..3		BN97-16290M	ASSY SMD;QRQ900Z	1	SNA
...4		0403-001779	DIODE-ZENER;MMSZ5234BT1G,5.89~6.51V,500m	1	SA
...4		0403-001797	DIODE-ZENER;NZH3V0B,2.85~3.15V,500mW,SOD	1	SNA
...4		0403-001900	DIODE-ZENER;SMFZ6.2V,6.5~7V,1000mW,SOD-1	2	SA
...4		0403-002014	DIODE-ZENER;KDZ16B,16.2~18.3V,1000mW,SOD	2	SNA
...4		0404-001404	DIODE-SCHOTTKY;BAT721C,40V,200mA,SOT-23,	1	SA
...4		0404-001640	DIODE-SCHOTTKY;SS1060HEWS,60V,1000mA,SOD	1	SA
...4		0404-001881	DIODE-SCHOTTKY;SS3040-HE,40V,3000mA,SOD-	5	SA
...4		0404-001953	DIODE-SCHOTTKY;MBRA340F-HAF,40V,3000mA,S	6	SA

Level	Loc.	Part Code	Description & Specification	Qty.	SA/SNA
...4		0404-001976	DIODE-SCHOTTKY;SV540,40V,5000mA,TO-277,T	4	SA
...4		0406-001200	DIODE-TVS;RClamp0504F,6V,1MAV,TP	7	SA
...4		0406-001438	DIODE-TVS;SMCJ14A,15.6V,17.2V,1MAV,6.5VP	2	SA
...4		0406-001635	DIODE-TVS;SMF5.0A,6.4V,6.7V,7V,200MAV,20	19	SA
...4		0406-001718	DIODE-TVS;SMF36A,40V,44.2V,3.8MAV,1.25VP	1	SA
...4		0406-001786	DIODE-TVS;PJEC5V0V6TM,5V,7V,8V,0.1MAV,9V	1	SA
...4		0501-000462	TR-SMALL SIGNAL;MMBT2907A,PNP,350mW,SOT-	5	SA
...4		0501-002080	TR-SMALL SIGNAL;2SC2412K,NPN,200mW,SC-59	1	SA
...4		0504-000126	TR-DIGITAL;KSR1101,NPN,200mW,4.7K/4.7K,S	1	SA
...4		0505-002660	FET-SILICON;Si2308BDS,N,60V,2.3A,0.156oh	1	SA
...4		0505-002790	FET-SILICON;ZXMP6A17G,P,60V,-4.3A,0.190o	1	SA
...4		0505-003205	FET-SILICON;DMG4435SSS-13,P,30V,-7.3A,1.	2	SA
...4		0505-003397	FET-SILICON;2N7002K,N,60V,0.38A,1.19ohm,	9	SA
...4		0505-003620	FET-SILICON;AOD4286,N,100V,14A,55.5mohm,	2	SA
...4		0505-003752	FET-SILICON;PJL9409,P,30V,50A,0.035ohm,3	4	SNA
...4		0801-002780	IC-CMOS LOGIC;74LVC1G17,SCHMITT-TRIGGER	1	SA
...4		0801-003580	IC-CMOS LOGIC;TC7WB66CFK,SSOP,8P,2.0X2.3	3	SA
...4		1003-002949	IC-LEVEL DRIVER;VLS2SM,QFN,40P,6x6x0.9mm	2	SA
...4		1103-001564	IC-EEPROM;S-24C512CI-J800,512Kbit,x8,SOP	1	SA
...4		1105-002926	IC-DDR4 SDRAM;H9HCNNN4KUMLHR,LPDDR4-SDRA	5	SA
...4		1105-002989	IC-DDR4 SDRAM;MT53E384M32D2DS-053 WT:E,L	1	SA
...4		1105-002992	IC-DDR4 SDRAM;MT53E256M32D2DS-053 WT:B,L	1	SA
...4		1201-004170	IC-AUDIO AMP;TAS880021A,TSSOP,48P,12.5x6	3	SA
...4		1203-006288	IC-VOL. DETECTOR;RT9818B-18GV,SOT-23-3,3	3	SA
...4		1203-008139	IC-DC/DC CONVERTER;TPS56C20PWPR,HTSSOP,2	2	SA
...4		1203-008777	IC-DC/DC CONVERTER;TPS563201,SOT-23,6,1.	5	SA
...4		1203-009057	IC-POS1.ADJUST REG.;G943F11U,SOP-8,8P,4.	1	SA
...4		1203-009063	IC-DC/DC CONVERTER;VPM2SM,QFN,56P,7x7x0.	2	SA
...4		1203-009067	IC-DC/DC CONVERTER;TPS564201,SOT-23,6P,3	2	SA
...4		1203-009069	IC-DC/DC CONVERTER;TPS566250,SOP,8P,6.2x	1	SA
...4		1203-009164	IC-DC/DC CONVERTER;CSD95378BQ5M,SON,13P,	2	SA
...4		1203-009166	IC-PWM CONTROLLER;TPS40428RHAR,VQFN,40P,	1	SA
...4		1203-009197	IC-DC/DC CONVERTER;RT6203E,SOP-8,8P,5x4x	1	SA
...4		1203-009198	IC-DC/DC CONVERTER;TPS549A20,VQFN-CLIP,2	1	SA
...4		1204-003766	IC-DECODER;SDP1801,FCBGA,935P,31x31x2.19	1	SA
...4		1204-003770	IC-DECODER;SDP1802,FCBGA,672P,27x27x2.4m	2	SA
...4		1204-003775	IC-DECODER;SDP1803,FCBGA,929P,31x31x2.19	1	SA
...4	IS01	1209-002183	IC-SENSOR;S-5851AAA-M6T1U,SOT,6Z30,2.9x1	1	SA
...4		1404-001731	THERMISTOR-NTC;33Kohm,4050K,1MWC,TP,1.6x	1	SNA
...4		1405-001185	VARISTOR;500V,24VDC,1608,TP,150V,0.055pF	2	SA

Level	Loc.	Part Code	Description & Specification	Qty.	SA/SNA
...4		1405-001232	VARISTOR;6.4V,5.6VDC,30A,1608,TP,19V,200	26	SNA
...4		1405-001271	VARISTOR;35V,20VDC,5A,1005,TP,100V,10pF	16	SA
...4		2007-000052	R-CHIP;10Kohm,1%,1/10W,TP,1608	2	SA
...4		2007-000066	R-CHIP;20Kohm,1%,1/10W,TP,1608	1	SNA
...4		2007-000070	R-CHIP;0ohm,5%,1/10W,TP,1608,T0.45	47	SA
...4		2007-000143	R-CHIP;4.7Kohm,5%,1/16W,TP,1005,T0.35	13	SNA
...4		2007-000148	R-CHIP;10Kohm,5%,1/16W,TP,1005,T0.35	14	SA
...4		2007-000154	R-CHIP;24Kohm,5%,1/16W,TP,1005	4	SA
...4		2007-000171	R-CHIP;0ohm,5%,1/16W,TP,1005,T0.35	34	SNA
...4		2007-000173	R-CHIP;22ohm,5%,1/16W,TP,1005,T0.35	8	SNA
...4		2007-000501	R-CHIP;2.2ohm,1%,1/10W,TP,1608	4	SA
...4		2007-000772	R-CHIP;33Kohm,1%,1/10W,TP,1608	2	SA
...4		2007-000816	R-CHIP;390Kohm,1%,1/10W,TP,1608	1	SNA
...4		2007-000979	R-CHIP;5.6Kohm,1%,1/10W,TP,1608	1	SA
...4		2007-001125	R-CHIP;68Kohm,1%,1/10W,TP,1608	6	SA
...4		2007-001139	R-CHIP;7.5Kohm,1%,1/10W,TP,1608	2	SA
...4		2007-001292	R-CHIP;33ohm,5%,1/16W,TP,1005,T0.35	15	SNA
...4		2007-001298	R-CHIP;51ohm,5%,1/16W,TP,1005,T0.35	16	SNA
...4		2007-002437	R-CHIP;2ohm,5%,1/10W,TP,1608	4	SNA
...4		2007-002899	R-CHIP;10ohm,1%,1/10W,TP,1608	47	SA
...4		2007-002906	R-CHIP;200Kohm,1%,1/10W,TP,1608	1	SA
...4		2007-007131	R-CHIP;13Kohm,1%,1/16W,TP,1005,T0.35	3	SA
...4		2007-007134	R-CHIP;39Kohm,1%,1/16W,TP,1005,T0.35	1	SA
...4		2007-007136	R-CHIP;4.7Kohm,1%,1/16W,TP,1005,T0.35	120	SNA
...4		2007-007139	R-CHIP;47Kohm,1%,1/16W,TP,1005,T0.35	1	SA
...4		2007-007142	R-CHIP;10Kohm,1%,1/16W,TP,1005,T0.35	60	SNA
...4		2007-007156	R-CHIP;1ohm,5%,1/16W,TP,1005,T0.35	2	SNA
...4		2007-007306	R-CHIP;100ohm,1%,1/16W,TP,1005,T0.35	32	SNA
...4		2007-007307	R-CHIP;150ohm,1%,1/16W,TP,1005,T0.35	1	SNA
...4		2007-007309	R-CHIP;12Kohm,1%,1/16W,TP,1005,T0.35	9	SA
...4		2007-007310	R-CHIP;8.2Kohm,1%,1/16W,TP,1005,T0.35	30	SA
...4		2007-007314	R-CHIP;5.6Kohm,1%,1/16W,TP,1005,T0.35	1	SA
...4		2007-007319	R-CHIP;390ohm,1%,1/16W,TP,1005	1	SNA
...4		2007-007489	R-CHIP;150Kohm,1%,1/16W,TP,1005,T0.35	1	SNA
...4		2007-007520	R-CHIP;20ohm,1%,1/10W,TP,1608	12	SA
...4		2007-007528	R-CHIP;1.5Kohm,1%,1/16W,TP,1005,T0.35	2	SA
...4		2007-007538	R-CHIP;56Kohm,1%,1/16W,TP,1005,T0.35	3	SA
...4		2007-007643	R-CHIP;2Mohm,1%,1/10W,TP,1608	1	SA
...4		2007-007671	R-CHIP;11Kohm,1%,1/16W,TP,1005,T0.35	2	SA
...4		2007-007733	R-CHIP;51ohm,1%,1/10W,TP,1608	2	SA

Level	Loc.	Part Code	Description & Specification	Qty.	SA/SNA
...4		2007-007736	R-CHIP;510Kohm,1%,1/10W,TP,1608	5	SA
...4		2007-007766	R-CHIP;2Kohm,1%,1/16W,TP,1005,T0.35	33	SNA
...4		2007-007767	R-CHIP;200ohm,1%,1/16W,TP,1005	5	SA
...4		2007-007798	R-CHIP;10ohm,1%,1/16W,TP,1005,T0.35	22	SA
...4		2007-008067	R-CHIP;21Kohm,1%,1/10W,TP,1608	1	SA
...4		2007-008117	R-CHIP;2.7Kohm,1%,1/16W,TP,1005,T0.35	2	SA
...4		2007-008134	R-CHIP;12.4Kohm,1%,1/16W,TP,1005	1	SC
...4		2007-008137	R-CHIP;24Kohm,1%,1/16W,TP,1005,T0.35	1	SNA
...4		2007-008175	R-CHIP;330ohm,1%,1/16W,TP,1005	1	SNA
...4		2007-008263	R-CHIP;3Kohm,1%,1/16W,TP,1005,T0.35	1	SA
...4		2007-008275	R-CHIP;30Kohm,1%,1/16W,TP,1005,T0.35	1	SNA
...4		2007-008298	R-CHIP;49.9ohm,1%,1/16W,TP,1005,T0.35	9	SA
...4		2007-008596	R-CHIP;0.1ohm,1%,1/4W,TP,3216	5	SC
...4		2007-009322	R-CHIP;1.3Kohm,1%,1/16W,TP,1005	2	SA
...4		2011-001264	R-NETWORK;10ohm,5%,1/16W,L,CHIP,8P,TP,2.	48	SNA
...4		2011-001589	R-NETWORK;0ohm,5%,1/16W,L,CHIP,4P,TP,1.0	4	SNA
...4	AD480	2203-000233	C-CER,CHIP;0.1nF,5%,50V,C0G,TP,1005,T0.5	15	SA
...4	AD480	2203-000278	C-CER,CHIP;0.01nF,0.5pF,50V,C0G,TP,1005	5	SA
...4	AD480	2203-000425	C-CER,CHIP;0.018nF,5%,50V,C0G,TP,1005	13	SA
...4	AD480	2203-000438	C-CER,CHIP;1nF,10%,50V,X7R,TP,1005,T0.5	6	SA
...4	AD480	2203-000440	C-CER,CHIP;1nF,10%,50V,X7R,TP,1608,T0.8	2	SA
...4	AD480	2203-000489	C-CER,CHIP;2.2nF,10%,50V,X7R,TP,1005	4	SA
...4	AD480	2203-000530	C-CER,CHIP;2.7nF,10%,50V,X7R,TP,1005,-	1	SNA
...4	AD480	2203-000715	C-CER,CHIP;3.3nF,10%,50V,X7R,TP,1608	2	SNA
...4	AD480	2203-000940	C-CER,CHIP;0.47nF,10%,50V,X7R,TP,1005,T0	9	SA
...4	AD480	2203-001428	C-CER,CHIP;470nF,10%,50V,X7R,TP,2012	1	SNA
...4	AD480	2203-002285	C-CER,CHIP;10nF,10%,50V,X7R,TP,1005	22	SNA
...4	AD480	2203-002525	C-CER,CHIP;0.56nF,10%,50V,X7R,TP,1005	1	SNA
...4	AD480	2203-005057	C-CER,CHIP;0.0082nF,0.25pF,50V,C0G,TP,10	2	SA
...4	AD480	2203-005083	C-CER,CHIP;220nF,10%,50V,X7R,TP,1608,T0.	12	SA
...4	AD480	2203-005138	C-CER,CHIP;1.8nF,10%,50V,X7R,TP,1005	1	SA
...4	AD480	2203-006260	C-CER,CHIP;220nF,10%,10V,X5R,TP,1005	3	SNA
...4	AD480	2203-006361	C-CER,CHIP;1000nF,10%,10V,X5R,TP,2012	2	SC
...4	AD480	2203-006391	C-CER,CHIP;1000nF,10%,10V,X7R,TP,1608	1	SNA
...4	AD480	2203-006562	C-CER,CHIP;1000nF,10%,10V,X5R,TP,1005,T0	45	SNA
...4	AD480	2203-006698	C-CER,CHIP;1000nF,10%,25V,X7R,TP,1608,T0	13	SNA
...4	AD480	2203-006838	C-CER,CHIP;2200nF,10%,6.3V,X5R,TP,1005,T	3	SA
...4	AD480	2203-006841	C-CER,CHIP;1000nF,10%,16V,X5R,TP,1005,T0	27	SNA
...4	AD480	2203-006844	C-CER,CHIP;470nF,10%,10V,X5R,TP,1005	4	SA
...4	AD480	2203-006890	C-CER,CHIP;1000nF,20%,6.3V,X5R,TP,1608	15	SNA

Exploded Views and Parts List

Level	Loc.	Part Code	Description & Specification	Qty.	SA/SNA
...4	AD480	2203-007176	C-CER,CHIP;10000nF,10%,16V,X5R,TP,2012,T	24	SNA
...4	AD480	2203-007230	C-CER,CHIP;47000nF,20%,6.3V,X5R,TP,2012,	12	SA
...4	AD480	2203-007240	C-CER,CHIP;22000nF,20%,6.3V,X5R,TP,1608,	145	SA
...4	AD480	2203-007306	C-CER,CHIP;10000nF,10%,25V,X5R,TP,2012,T	68	SNA
...4	AD480	2203-007393	C-CER,CHIP;4700nF,10%,10V,X5R,TP,1005,T0	36	SNA
...4	AD480	2203-007423	C-CER,CHIP;10000nF,10%,35V,X7R,TP,3216	4	SA
...4	AD480	2203-007425	C-CER,CHIP;2200nF,10%,25V,X5R,TP,1608	2	SNA
...4	AD480	2203-007544	C-CER,CHIP;100nF,10%,50V,X7R,TP,1005,T0.	73	SA
...4	AD480	2203-008096	C-CER,CHIP;2200nF,10%,50V,X5R,TP,2012,1.	3	SA
...4	AD480	2203-008315	C-CER,CHIP;22000nF,20%,25V,X5R,TP,2012,T	55	SA
...4	AD480	2203-008412	C-CER,CHIP;4700nF,10%,50V,X5R,TP,2012,T1	6	SNA
...4		2409-001213	C-ORGANIC,SMD;150uF,20%,6.3V,-,TP,3.5x2.	6	SNA
...4		2409-001240	C-ORGANIC,SMD;33uF,20%,25V,LR,TP,7343	2	SA
...4		2703-003488	INDUCTOR-SMD;10uH,20%,6965,T2.8,0.071Ohm	2	SA
...4		2703-003637	INDUCTOR-SMD;22uH,20%,7070,0.18ohm,2000m	1	SA
...4		2703-003713	INDUCTOR-SMD;1.5uH,20%,7366,T3,0.015Ohm,	4	SA
...4		2703-003747	INDUCTOR-SMD;22uH,20%,6060,0.135ohm,1300	1	SA
...4		2703-003862	INDUCTOR-SMD;10uH,20%,6060,0.065ohm,1900	6	SA
...4		2703-003937	INDUCTOR-SMD;1uH,20%,70647,T3,0.008Ohm,9	4	SA
...4		2703-004226	INDUCTOR-SMD;8.2uH,20%,10.7x10mm,T3.8,0.	2	SA
...4		2703-004724	INDUCTOR-SMD;8.2uH,20%,5050,T4,0.072Ohm,	12	SA
...4		2703-005193	INDUCTOR-SMD;2.2uH,20%,6060,T4.5,0.024Oh	4	SA
...4		2703-005194	INDUCTOR-SMD;3.3uH,20%,6060,T4.5,0.03Ohm	2	SA
...4		2703-005700	INDUCTOR-SMD;470nH,20%,11x10mm,T3.8,0.00	2	SA
...4		2703-005715	INDUCTOR-SMD;820nH,20%,11x10mm,T3.8,0.00	1	SNA
...4		2801-004938	CRYSTAL-SMD;24MHz,20ppm,SMD,12pF,60Ohm,T	3	SA
...4		2801-005372	CRYSTAL-SMD;24.576MHz,20ppm,HCX-3SB,12 p	2	SA
...4		3301-001364	BEAD-SMD;1000ohm/100Mhz 1000ohm/100Mhz,1	6	SNA
...4		3301-001901	BEAD-SMD;220ohm,1.6x0.8mm 1.6x0.8mm,TP,2	31	SA
...4		3301-002039	BEAD-SMD;26ohm/100Mhz 26ohm/100Mhz,1.6x0	118	SA
...4		3601-001374	FUSE-SURFACE MOUNT;32V,5A,FAST-ACTING,PL	13	SA
...4		3708-003062	CONNECTOR-FPC/FFC/PIC;24P,0.5mm,SMD-A,AU	1	SA
...4		3708-003176	CONNECTOR-FPC/FFC/PIC;68P,0.5mm,SMD-A,AU	2	SA
...4		3708-003241	CONNECTOR-FPC/FFC/PIC;96P,0.5mm,SMD-A,AU	4	SNA
...4		3710-004374	CONNECTOR-SOCKET;34P,1R,0.8mm,SMD-A,Au,B	1	SA
...4		3711-007975	CONNECTOR-HEADER;BOX,10P,1R,1.25mm,SMD-A	2	SA
...4	EH01	3711-008453	HEADER-BOARD TO CABLE;BOX,18P,2R,2mm,ANG	1	SA
...4	EH01	3711-008488	HEADER-BOARD TO CABLE;BOX,14P,2R,2mm,ANG	1	SA
...4	EH01	3711-008739	HEADER-BOARD TO CABLE;BOX,30P,2R,2mm,ANG	1	SA
...4		6302-001232	GASKET-EMI;SMT Gasket,Sn/Cu plated PI-Fi	22	SNA

Level	Loc.	Part Code	Description & Specification	Qty.	SA/SNA
...4		BN41-02705B	PCB-MAIN;muse_m_luxe_o_t,FR-4,10L,T1.6,3	1	SNA
...4	CB07	BN61-13312B	BRACKET-SCREWLESS PCB;55KS8000,SK5,T0.3,	4	SNA
...4		BN97-15856A	ASSY MICOM;MMMICOM_OCTV,Q900, 8K,W25Q40C	1	SNA
....5		1107-002226	IC-NOR FLASH;W25Q40CLSSIP,4Mbit,SOIC,8P,	1	SA
...4		BN97-15903A	ASSY MICOM;T-MSMDEUC,ASSY MICOM_MAIN,QRQ	1	SNA
....5		1107-002590	IC-EMMC;KLM8G1GETF-B041007,8Gbyte,64Gbx1	1	SNA
...4		BN97-16426A	ASSY MICOM;TCON (SDI + OLD LED),75L1SEAT	1	SNA
....5		1107-002566	IC-NOR FLASH;W25Q32JVSSIQ,32Mbit,16384x2	2	SNA
1		BN92-26150L	ASSY LABEL;QRQ900Z	1	SNA
.2		0203-001598	TAPE-SINGLE FACE;PP,T0.15,W12,N/A,CLEAR	0	SNA
.2		BN68-07519B	LABEL-ENERGY;ALL JORDAN,WW,PP,T0.135,W60	1	SNA
.2		BN68-08409B	LABEL-RATING;QTV,WW,PP,T0.161,W150,L48,T	1	SNA
.2		BN68-09569A	LEAFLET-QUICK SETUP GUIDE;Q900R,OTHERS,W	1	SNA
.2	T0382	BP61-00492C	TAPE SINGLE FACE;ACRYL,ACRYL,T0.25,W50,L	0	SNA
1		BN92-26151K	ASSY BOX;QRQ900Z	1	SNA
.2		BH68-00662A	LABEL BOX;ALL,ART,W60,L110,WHT,NO SILK,9	1	SNA
.2		BN69-18573K	BOX UNIT-OUT;75QRQ900Z,CB,DW4,F3,L1849,W	1	SNA
1		BN92-26152B	ASSY P/MATERIAL;QRQ900Z	1	SNA
.2		6902-002233	BAG AIR;LDPE,-,T0.2,W900,L1850,TRP,-,-,-	0	SNA
.2		6902-002909	BAG ROLL;HDPE/PE FOAM,T0.015/T0.05,W1900	2	SNA
.2		6922-000003	BAND;PP,T0.8,W18,L1650M,TRP,DA69-90145A	7	SNA
.2		BN02-00319B	TAPE-SINGLE FACE;OPP,T0.05,W75,L800M,CLE	2	SNA
.2		BN69-03982L	PACKING ANGLE;ALL,PAPER,T5,W2160,L50,-,-	1	SNA
.2		BN69-05418N	WRAP;T0.017,750,2000000,2000000,750	0	SNA
.2		BN69-18441A	CUSHION-SET SIDE;75QRQ900A,EPS,16.7g/l,W	1	SNA
..3		0103-005099	RESIN EPS;BASF303,Natural,Natural	416	SNA
.2		BN69-18588G	PALLET;Y18 LED TV,WOOD,-,W1035,L1885,H14	0	SNA
.2		BN96-42554A	ASSY PACKING P-PAD;75Q7F,CB+EPS,Y17 75in	1	SNA
..3		BN69-15257A	CUSHION-SET FRONT;75Q7F,EPS,33.3g/l,WHIT	3	SNA
..3		BN69-15753A	PAD-SHEET;75Q7F,CB,W912,L1397,WHITE,Y17	1	SNA
.2		BN96-45139C	ASSY PACKING P-PAD;75Q7F,PP/EPE,WITH WAR	2	SNA
..3		BN68-08908A	LABEL WARNING;ALL MODEL,ART,W70,L100,90g	2	SNA
..3		BN69-16841C	PAD-EPE;75Q7F,EPE,T1.2/T3,W100,L940,MIXE	2	SNA
.2		BN96-47995A	ASSY PACKING P-CUSHION SET;GQ75Q900R,-,E	1	SNA
..3		BN69-18437A	CUSHION-SET;75QRQ900A,EPS,16.7g/l,WHITE	1	SNA
..3		BN69-18572A	BOX UNIT-IN;75QN90A,CB,DW1,C1,L2282,W562	1	SNA
1	ACCE1	BN92-26153R	ASSY ACCESSORY;QRQ900Z	1	SNA
.2		BN96-48712A	ASSY ACCESSORY MANUAL;QRQ900Z	1	SNA
..3	T0268	3903-001110	POWER CORD-DT;EUR,3P-F,250V,10A,BLK,L150	1	SA
..3		4301-000103	BATTERY-ALKALINE;1.5V,750mAH,LR03,10.2x4	2	SNA

Level	Loc.	Part Code	Description & Specification	Qty.	SA/SNA
...3		BN39-02436B	ONECONNECT CABLE;QN65Q900RCFXZA,31P/31P,	1	SA
...3		BN59-01311B	REMOCON-SMART CONTROL;2019 TV,SAMSUNG,21	1	SA
...3	T0527	BN68-00513A	LABEL-E PASS;ALL MODEL,WW,YUPO,W50,L15,W	1	SNA
...3		BN68-00514K	LEAFLET-WARRANTY;comm,Samsung,W.Europe,W	1	SNA
...3		BN68-07598A	LEAFLET-REGULATORY GUIDE;QT/UT/LFD/LM/HD	1	SNA
...3		BN68-08112A	LABEL-SECURITY;ALL,PET,T0.05,W55,L52,GLO	1	SNA
...3		BN68-09371A	LEAFLET-REGULATORY GUIDE;QT/UT,W/W,MOJO,	1	SNA
...3		BN68-09496A	LEAFLET-ACCESSORY KIT;Q90R,ZG & XC & XN & XH & Z	1	SNA
...3		BN68-09754A	MANUAL USERS;Q950,ZG & ZU,GERMANY,MOJO,1 C	1	SNA
...3		BN68-09826A	LEAFLET-PROMOTION;QLED, RU8000,W/W,SNOW,	1	SNA
...3		BN69-13935A	BAG ACCESSORY;LDPE,T0.07,W700,L350,TRP,R	1	SNA
...3	EH03A	BN96-46480A	ASSY HOLDER P-RING;65QNQ9FA,ABS,BLACK,HB	1	SA
...4		6902-001404	BAG PE;LDPE,T0.05,W80,L100,TRP,Bio. N	1	SNA
...4		BN61-15782A	HOLDER-WALL RING;55QNQ9FA,ABS,T2,BK0007,	4	SNA
...3		BN96-49298A	ASSY ACCESSORY-SCREW;65QRQ60T,ALL,W/W,60	1	SNA
...4	SCREW	6003-001907	SCREW-TAPTYPE;BH,+,S,M4,L14,ZPC(BLK),SWR	4	SA
...4		6902-003076	BAG SCREW;LDPE,T0.05,W70,L90,TRP,RECYCLE	1	SNA
...3		BN96-49931A	ASSY HOLDER P-OC CABLE;65QRQ900Z,PC,TP00	1	SA
...4	SCREW	6003-001208	SCREW-TAPTYPE;BH,+,S,M4,L12,ZPC(BLK),SWR	1	SA
...4		6902-000683	BAG PE;LDPE,T0.05,W60,L60,TRP,Bio. N,Zip	1	SNA
...4	AH089	BN61-14021A	HOLDER-CABLE;55KS8000,PA66,BK0007,V-2	1	SA
...4		BN61-15791A	HOLDER-OC CABLE;65QNQ8CB,PC,TP0003,V-2	1	SNA
...4		BN61-16511A	HOLDER-OC CABLE JACK;55QRQ90B,PA66,BLACK	1	SNA
1		BN95-05549H	PRODUCT LCD DP;BN95-05991C; C Y-TR075JLAV	1	SA
.2	PANEL	BN95-05991C	PRODUCT LCD-AUO;CY-TR075JLAV3V/H,Q900RB,	1	SA
...3		6001-002343	SCREW-MACHINE;CH,+,M3,L12,ZPC(BLK),SWRCH	12	SA
...3		BN02-00102B	TAPE-SINGLE FACE;OPP,T0.15,W25,L50M,WHIT	0	SNA
...3	M0131	BN63-00520A	GASKET-EMI;APPOLO_PAL,Conductive Fabric,	2	SNA
...3		BN68-05722A	LABEL-E PASS;POLYPROPYLENE,NON-COATING	1	SNA
...3		BN74-00053E	TAPE-SINGLE FACE;PAPER,3M2307,T0.14,W20,	0	SNA
...3		BN90-10431K	ASSY BACK LIGHT UNIT;QRQ900RB , 75	1	SNA
...4		BN61-15667A	DIFFUSER PLATE;18Y_Q9F_75INCH_DIFFUSERPL	1	SNA
...4		BN61-15668A	OPTICAL SHEET-HIGH COLOR;18Y_Q9F_75INCH_	1	SNA
...4		BN61-16613A	OPTICAL SHEET-COMPLEX;19Y_75inch_Q900_CO	1	SNA
...4		BN61-16614A	OPTICAL SHEET-COMPLEX;Y19_75inch_Q900_CO	1	SNA
...4		BN90-11200A	ASSY BACK LIGHT UNIT;GQ75Q950R*,BN95-056	1	SNA
....5		6001-003336	SCREW-MACHINE;CH,+,M3,L4,ZPC(WHT),SWRCH1	69	SA
....5		BN02-00102B	TAPE-SINGLE FACE;OPP,T0.15,W25,L50M,WHIT	1	SNA
....5		BN02-00105G	TAPE SINGLE FACE;CJ89,PET,T0.1,W80,L210,	2	SNA
....5		BN02-00105H	TAPE SINGLE FACE;65QRQ900A,PET,T0.05,W70	10	SNA

Level	Loc.	Part Code	Description & Specification	Qty.	SA/SNA
....5		BN44-00994A	DC VSS-DRIVER BOARD;L75S9SNRA_RHS,DC/DC,	1	SA
....5		BN44-00994B	DC VSS-DRIVER BOARD;L75S9SNRB_RHS,DC/DC,	1	SA
....6		BN97-00031L	ASSY MICOM-LD_FW;Y19_Q900R_8k,19Y_Q900	2	SNA
....5		BN63-17896B	INSULATOR-LED PCB;19Y_75Q900_L,PET,WHITE	1	SNA
....5		BN63-17897B	INSULATOR-LED PCB;19Y_75Q900_R,PET,WHITE	1	SNA
....5		BN96-47341A	ASSY FRAME P-CHASSIS REAR TOP;75Q900A,P	1	SNA
....6		BN60-01459A	SPACER-SILICONE;55PMF,Si,L10,WHITE,T1.8,	2	SNA
....6		BN61-15932A	FRAME-CHASSIS REAR TOP;75QRQ900A,PC+GF10	1	SNA
....5		BN96-47345B	ASSY CHASSIS REAR P;75QRQ900A,EGI-SECC,S	1	SNA
....6	SCREW	6001-003016	SCREW-MACHINE;PWH,+M3,L5.0,ZPC(WHT),SWR	16	SA
....6	SCREW	6003-001788	SCREW-TAPTYPE;BH,+S,M4,L8,NI PLT,SWRCH1	4	SNA
....6		BN02-00102B	TAPE-SINGLE FACE;OPP,T0.15,W25,L50M,WHIT	2	SNA
....6		BN02-00352B	TAPE-SINGLE FACE;PET,T0.05,W30,L50M,BLAC	0	SNA
....6		BN60-00162C	SPACER-FOAM;PE FOAM,L50M,GRAY,T0.5,W15	0	SNA
....6	CB20	BN61-11982C	BRACKET-WALL;65Q9007FC,CR-SPCC,BLACK,M8,L	4	SNA
....6		BN61-13557P	BRACKET-WIRE;75Q9008CB,SW-C,T1,SILVER,L66	6	SNA
....6		BN61-13557T	BRACKET-WIRE;65UNU7100X,SW-C,T1,SILVER,L	1	SNA
....6		BN61-13557U	BRACKET-WIRE;65UNU7100X,SW-C,T1,SILVER,L	2	SNA
....6		BN61-13557X	BRACKET-WIRE;65UNU7100X,SW-C,T1,SILVER,L	2	SNA
....6	CB18	BN61-15914A	BRACKET-STAND LINK;75QRQ900A,EGI-SECC,T1	4	SNA
....7		BN61-15975A	STUD-PEM;65NU7100,SUM24L,T0.5,L8,HEAD 7m	8	SNA
....6	CB18	BN61-15919A	BRACKET-STAND LINK;75QRQ900A,HGI,T2.5,NA	1	SNA
....7		BN61-14854A	STUD-PEM;Q7F,SUM24L,T0.8,L8,M6,D8,A type	5	SNA
....6		BN63-17858A	INSULATOR-SOURCE PCB;75QRQ900A,PET,BLACK	1	SNA
....6		BN63-18143A	INSULATOR-SHEET;75QRQ900A,PET,BLACK,L100	0	SNA
....6		BN63-18246A	INSULATOR-SMPS;75QRQ900Z,PC,BLACK,L406,W	2	SNA
....6		BN63-18290A	SHEET-THERMAL;75QRQ900Z,GRAPHITE,T0.7,W4	1	SNA
....6	CC04	BN64-04102B	CHASSIS-REAR;75QRQ900A,EGI-SECC,-,T1,NAT	1	SNA
....7		BN01-00599A	STEEL;75QRQ900A,EGI-SECC,L1720,1mm,1005m	14	SNA
....6	T0527	BN68-00513A	LABEL-E PASS;ALL MODEL,WW,YUPO,W50,L15,W	1	SNA
....6		BN96-47848A	FFC CABLE;Q9S 75,Fold,L460,68P,#2	2	SNA
....6		BN96-47849A	FFC CABLE;Q9S 75,Fold,L770,68P,#3	2	SNA
....6		BN96-47850A	FFC CABLE;Q9S 75,Fold,L1320,68P,#1	2	SNA
....6		BN96-47851A	FFC CABLE;Q9S 75,Fold,L1050,68P,#4	2	SNA
....6		BN96-47852A	FFC CABLE;Q9S 75,Fold,L300,68P,#5	2	SNA
....5		BN96-47864A	FFC CABLE;QN75Q900R,Fold,L1173,24P	1	SA
....5		BN96-48096A	ASSY FRAME P-CHASSIS REAR BOTTOM;75QRQ90	1	SNA
....6		BN61-15931A	FRAME-CHASSIS REAR BOTTOM;75QRQ900A,PC+G	1	SNA
....6		BN96-47726A	ASSY MISC P-REFLECTOR;Q9F_Piece reflecto	8	SNA
....5		BN96-48098A	ASSY FRAME P-CHASSIS REAR LEFT RIGHT;75Q	2	SNA

Level	Loc.	Part Code	Description & Specification	Qty.	SA/SNA
....6		BN61-15933A	FRAME-CHASSIS REAR LEFT RIGHT;75QRQ900A,	2	SNA
.....7		0103-011284	RESIN PC;LS-3104G/FW9931,White,WT0134,V-	451	SNA
....5		BN96-48404A	ASSY LED BAR P;Y19 Q900 75INCH,CEM3,Y19	10	SNA
...4		BN96-47336A	ASSY FRAME P-MIDDLE BOTTOM;75QNQ90A,PC+G	1	SNA
....5		BN60-01606A	SPACER-FOAM;65UNU8000F,PU FOAM,L50M,BLAC	2	SNA
....5		BN61-15923A	FRAME-MIDDLE BOTTOM;75QRQ900A,PC+GF10%,V	1	SNA
....6		0103-007368	RESIN PC;LS-3104G/K2495,K2495,BK0048,V-2	60	SNA
...3		BN96-47321A	ASSY CHASSIS FRONT P;75QNQ90A,AI,8K	1	SNA
...4		6001-002912	SCREW-MACHINE;CH,+,M3,L3,ZPC(BLK),SWRCH1	2	SA
...4		BN02-00074E	TAPE SINGLE FACE;U7201,PET,T0.05,W10,L20	4	SNA
...4		BN02-00486A	TAPE-DOUBLE FACE;PU FOAM,T0.5,W3.2,L33M,	4	SNA
...4		BN02-00595A	TAPE SINGLE FACE;65QRQ80C,PET,T0.2,W3,L2	3	SNA
...4		BN63-17419D	SHEET-PROTECTION COVER;65QNQ7FC,PO,T0.04	3	SNA
...4		BN63-17419E	SHEET-PROTECTION COVER;UNU8000F,PO,T0.04	4	SNA
...4	AC155	BN64-04105A	CHASSIS-FRONT;75QRQ900A,AI,-,-,NATURAL,S	1	SNA
...4		BN64-04110A	CHASSIS-FRONT BOTTOM;75QRQ900A,PC+GF10%,	1	SNA
...3		BN96-47328A	ASSY COVER P-DECORATION;75QNQ90A,STS430J	1	SNA
...4		BN60-01606A	SPACER-FOAM;65UNU8000F,PU FOAM,L50M,BLAC	2	SNA
...4	FD01	BN63-17807A	COVER-DECORATION;75QRQ900A,STS430JIL,T0.	1	SNA
...3		BN96-47329A	ASSY COVER P-SOURCE PCB LEFT;75QNQ90A,EG	1	SNA
...4		BN63-17812A	COVER-SOURCE PCB LEFT;75QRQ900A,EGI-SECC	1	SNA
...4		BN63-17857A	INSULATOR-SOURCE PCB COVER LEFT;75QRQ900	1	SNA
...3		BN96-47334A	ASSY COVER P-SOURCE PCB RIGHT;75QNQ90A,E	1	SNA
...4		BN63-17813A	COVER-SOURCE PCB RIGHT;75QRQ900A,EGI-SEC	1	SNA
...4		BN63-17856A	INSULATOR-SOURCE PCB COVER RIGHT;75QRQ90	1	SNA
...3		BN96-49376A	ASSY OPEN CELL;AUO,75Inch,Y2019 Q900 New	1	SNA
...4		BN81-16230A	A/S-ADHESIVE-A.C.F;ADHESIVE-A.C.F,47.COF	1	SNA
...4		BN81-17827A	A/S-ADHESIVE-A.C.F;ADHESIVE-A.C.F,47.23T	1	SNA
...4		BN81-18051A	A/S-IC DRIVER SOURCE;46.S1920.024,SA6T93	1	SNA
...4		BN81-18052A	A/S-ASSY PCB-SOURCE(F-L);ASSY PCB-SOURCE	1	SNA
...4		BN81-18053A	A/S-ASSY PCB-SOURCE(F-R);ASSY PCB-SOURCE	1	SNA
...4		BN81-18054A	A/S-ASSY PCB-SOURCE(B-L);ASSY PCB-SOURCE	1	SNA
...4		BN81-18055A	A/S-ASSY PCB-SOURCE(B-R);ASSY PCB-SOURCE	1	SNA
...4		BN81-18056A	A/S-POLARIZER-C/F;POLARIZER-C/F,66.C4V03	1	SNA
...4		BN81-18057A	A/S-POLARIZER-TFT;POLARIZER-TFT,66.T4V01	1	SNA
.2		BN98-00008M	ASSY K/D-PACKING MATERIAL SESK;75Q900,SE	1	SNA
...3		6902-002536	BAG PANEL;LDPE,LDPE+MDPE,T0.07,W2000,L12	1	SNA
...3		BN69-18588R	PALLET;Y18 LED TV,WOOD,-,W1170,L1890,H14	0	SNA
...3		BN69-19754A	CUSHION-PANEL;75" Y19 FLAT,EPS,-,-,-,-2	0	SNA
...4		0103-005099	RESIN EPS;BASF303,Natural,Natural	3472	SNA