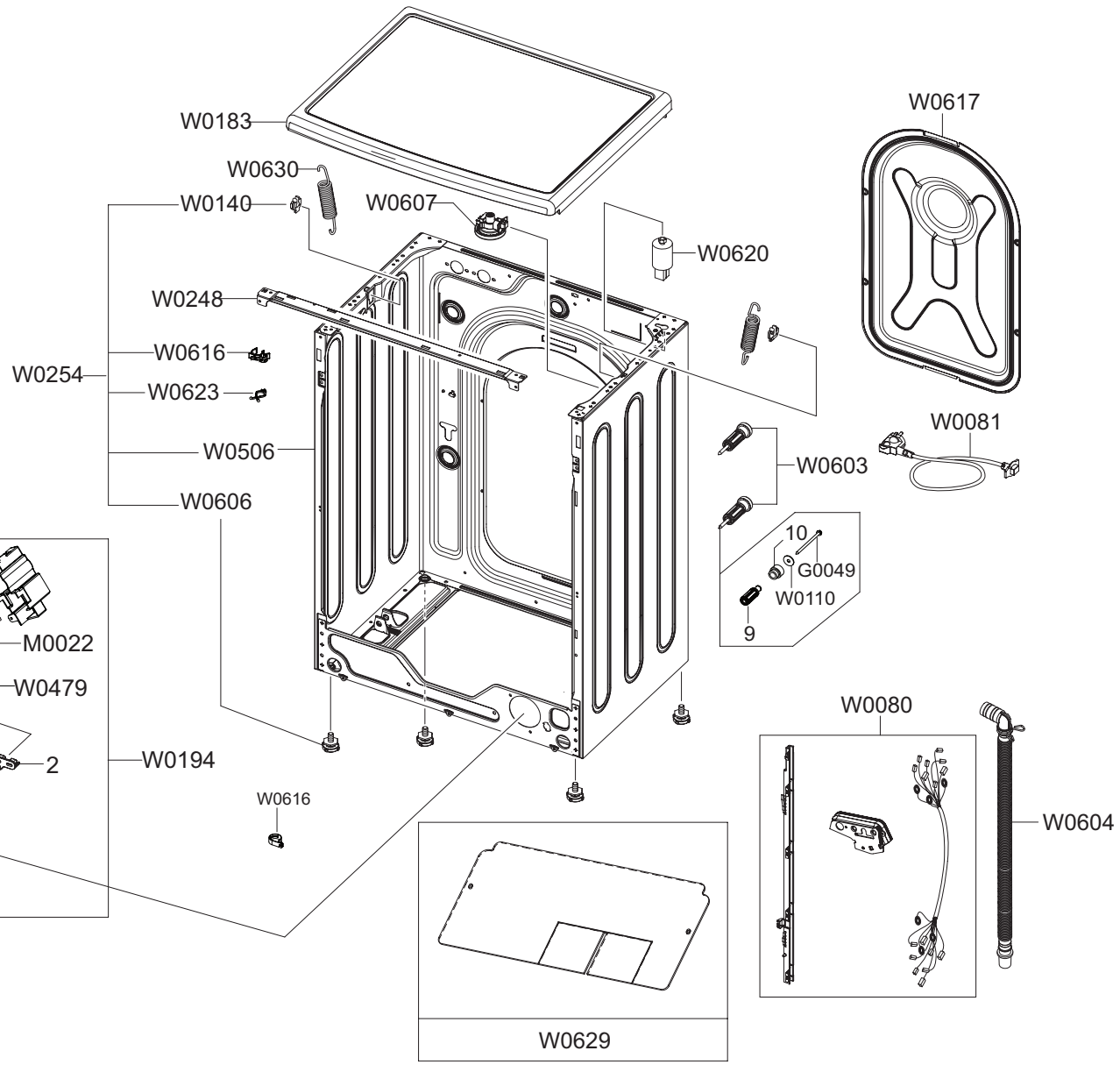
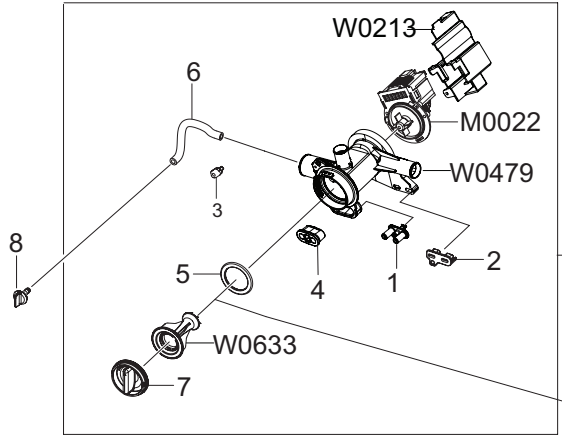
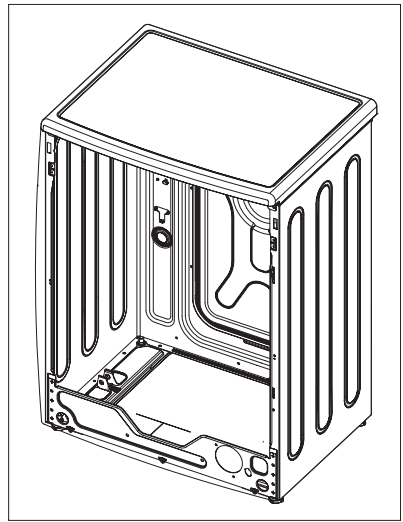


4	W0614	W0614	W0757	W0626



5. PANEL-CONTROL & DRAWER

